

US00D802998S

(12) **United States Design Patent** (10) **Patent No.:** **US D802,998 S**  
**Oshipitan** (45) **Date of Patent:** **\*\* Nov. 21, 2017**

(54) **BEVERAGE CUP**

(71) Applicant: **Oluwatoyin Oshipitan**, Calumet City, IL (US)

(72) Inventor: **Oluwatoyin Oshipitan**, Calumet City, IL (US)

(\*\*) Term: **15 Years**

(21) Appl. No.: **29/565,727**

(22) Filed: **May 24, 2016**

(51) **LOC (10) Cl.** ..... **07-01**

(52) **U.S. Cl.**  
USPC ..... **D7/507; D9/716**

(58) **Field of Classification Search**  
USPC ..... D7/507, 509, 532; D9/516, 763;  
220/703, 713; 368/231, 239, 327  
CPC ..... A47G 19/22; A47G 19/2227  
See application file for complete search history.

(56) **References Cited**

**U.S. PATENT DOCUMENTS**

2,563,352	A	8/1951	Morse	
4,357,809	A	11/1982	Held et al.	
5,001,907	A	3/1991	LaCroix et al.	
5,678,925	A	10/1997	Garmaise et al.	
D416,757	S	11/1999	Ginuntoli	
6,161,720	A	12/2000	Castle	
6,382,449	B1 *	5/2002	Kazmierski	..... B65D 3/14
				220/4.03
D502,112	S *	2/2005	Hsu	..... D10/15

D568,685	S *	5/2008	Bodum	..... D7/500
D596,983	S *	7/2009	Reyes	..... D11/149
D598,242	S *	8/2009	Kusher	..... D7/507
D774,827	S *	12/2016	Miller	..... D7/507
2013/0319894	A1 *	12/2013	Vargas	..... A47G 19/2227
				206/459.5

\* cited by examiner

*Primary Examiner* — Daniel Bui  
*Assistant Examiner* — Andrew Kerr

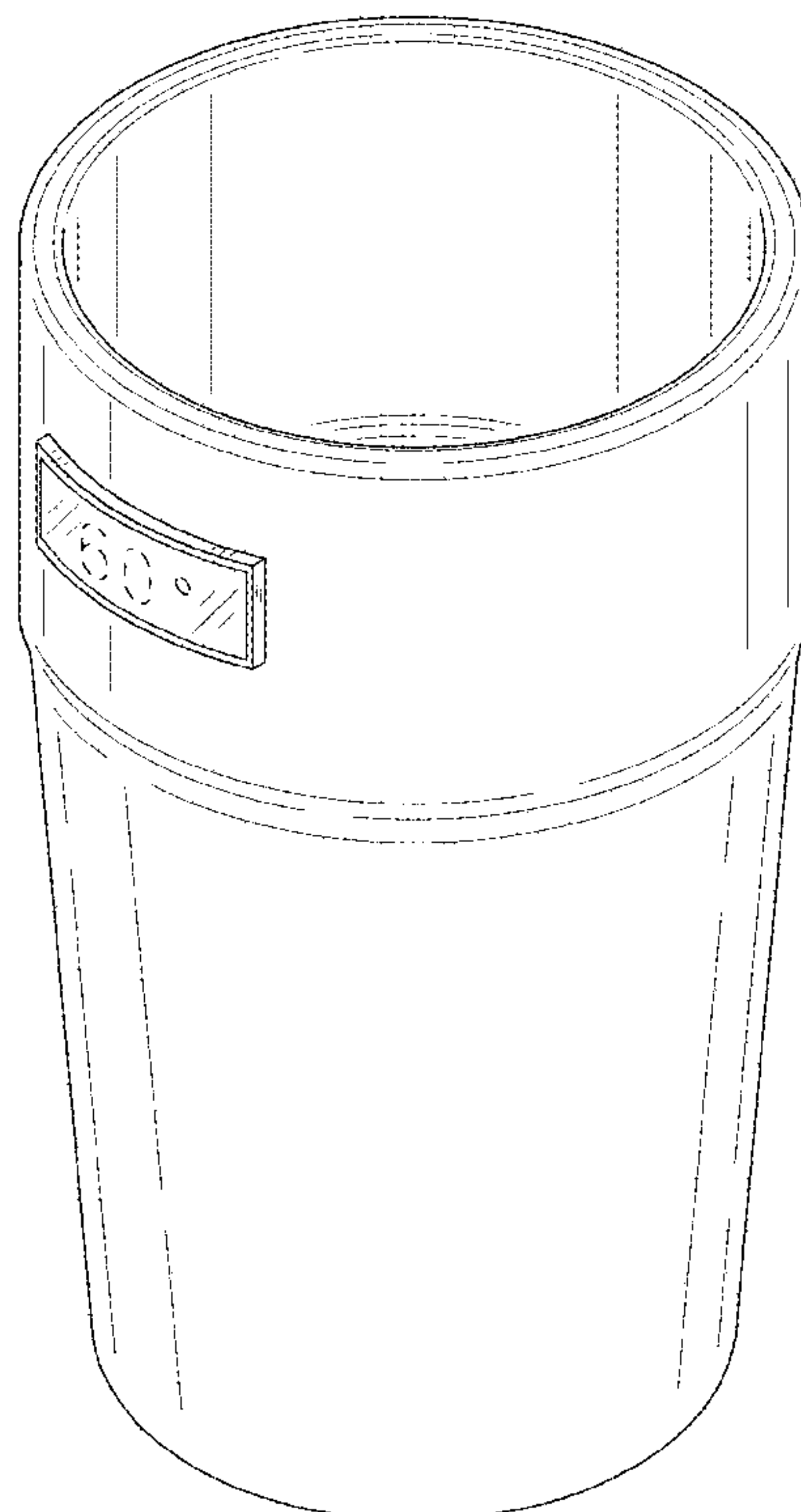
(57) **CLAIM**

The ornamental design for a beverage cup, as shown and described.

**DESCRIPTION**

FIG. 1 is a front view of a beverage cup showing my new design;  
FIG. 2 is a rear view thereof;  
FIG. 3 is a left side view thereof, a right side view being a mirror image;  
FIG. 4 is a top view thereof;  
FIG. 5 is a bottom view thereof; and,  
FIG. 6 is a top and front side perspective view thereof.  
The broken lines in the drawing views represent unclaimed portions of a beverage cup, which are included for the purpose of illustrating unclaimed environment only and form no part of the claimed design.

**1 Claim, 5 Drawing Sheets**



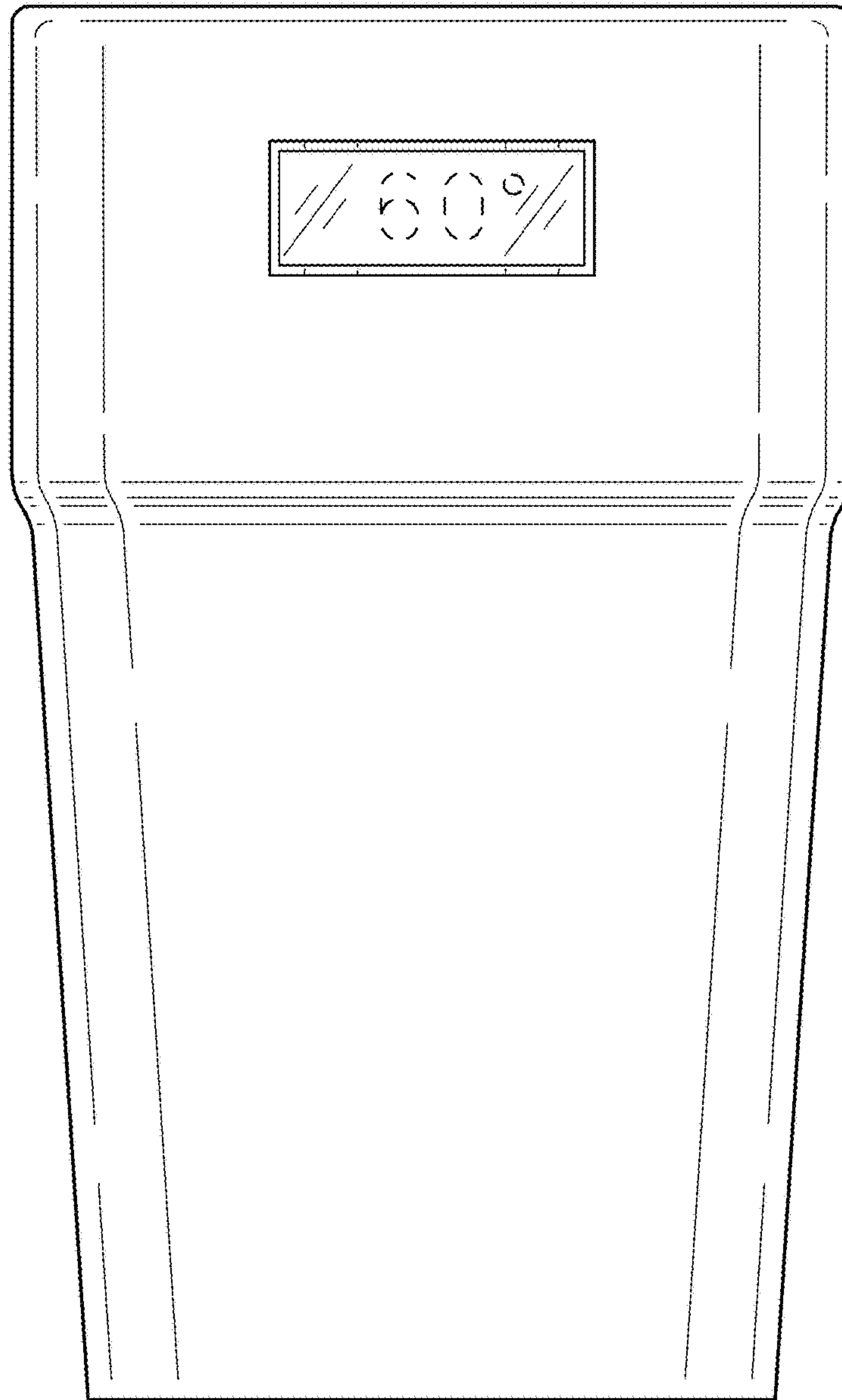


FIG. 1

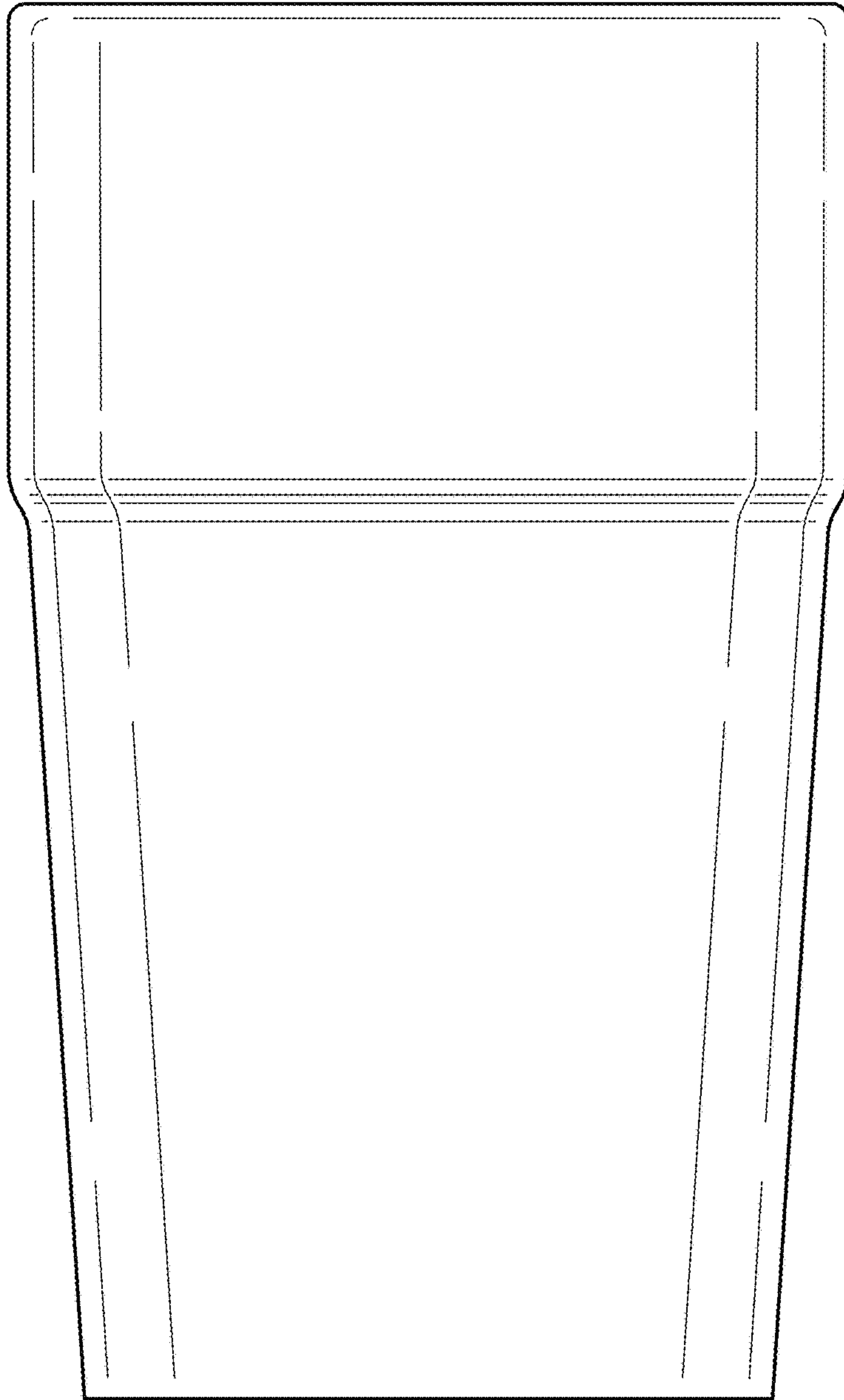


FIG. 2

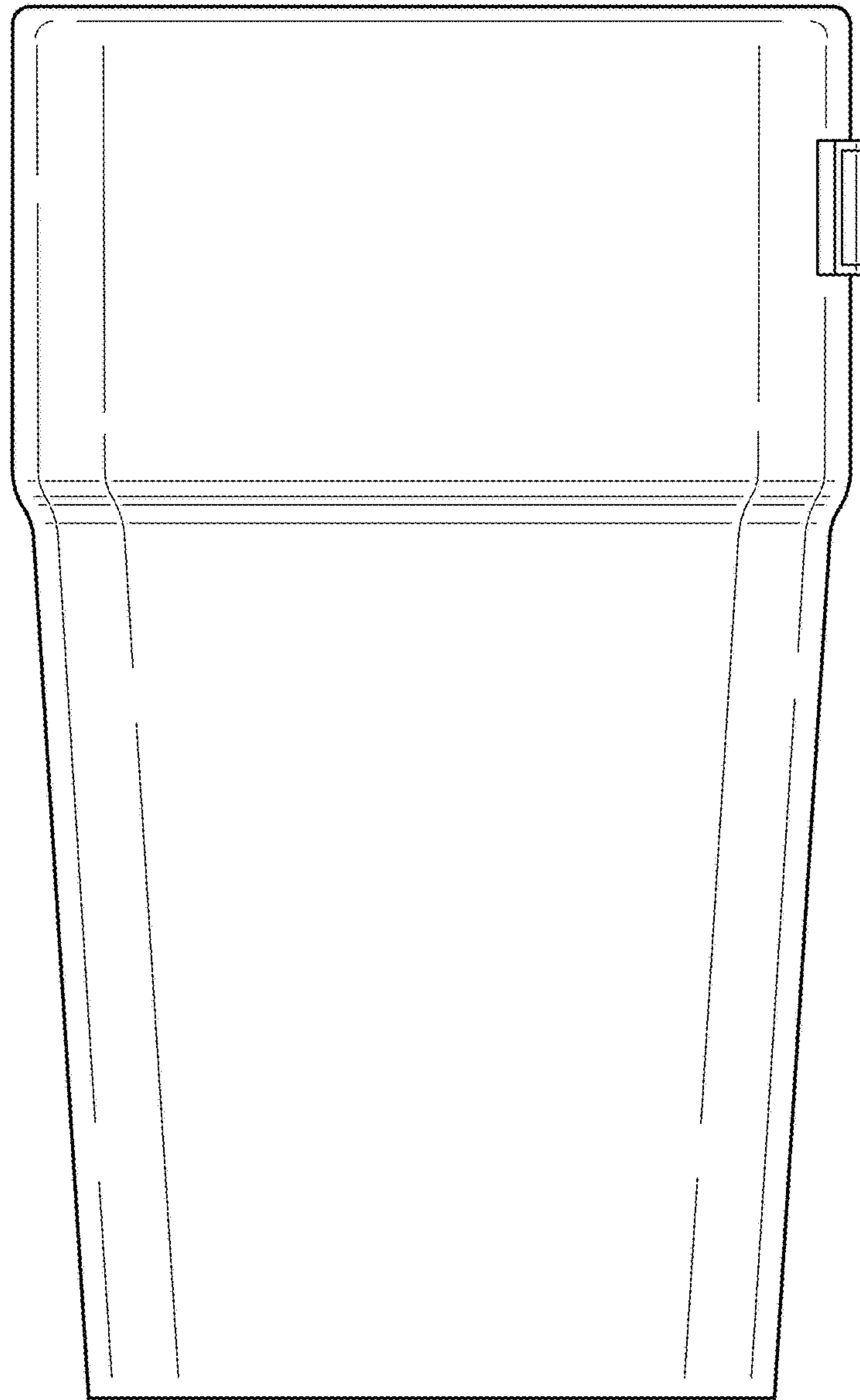


FIG. 3

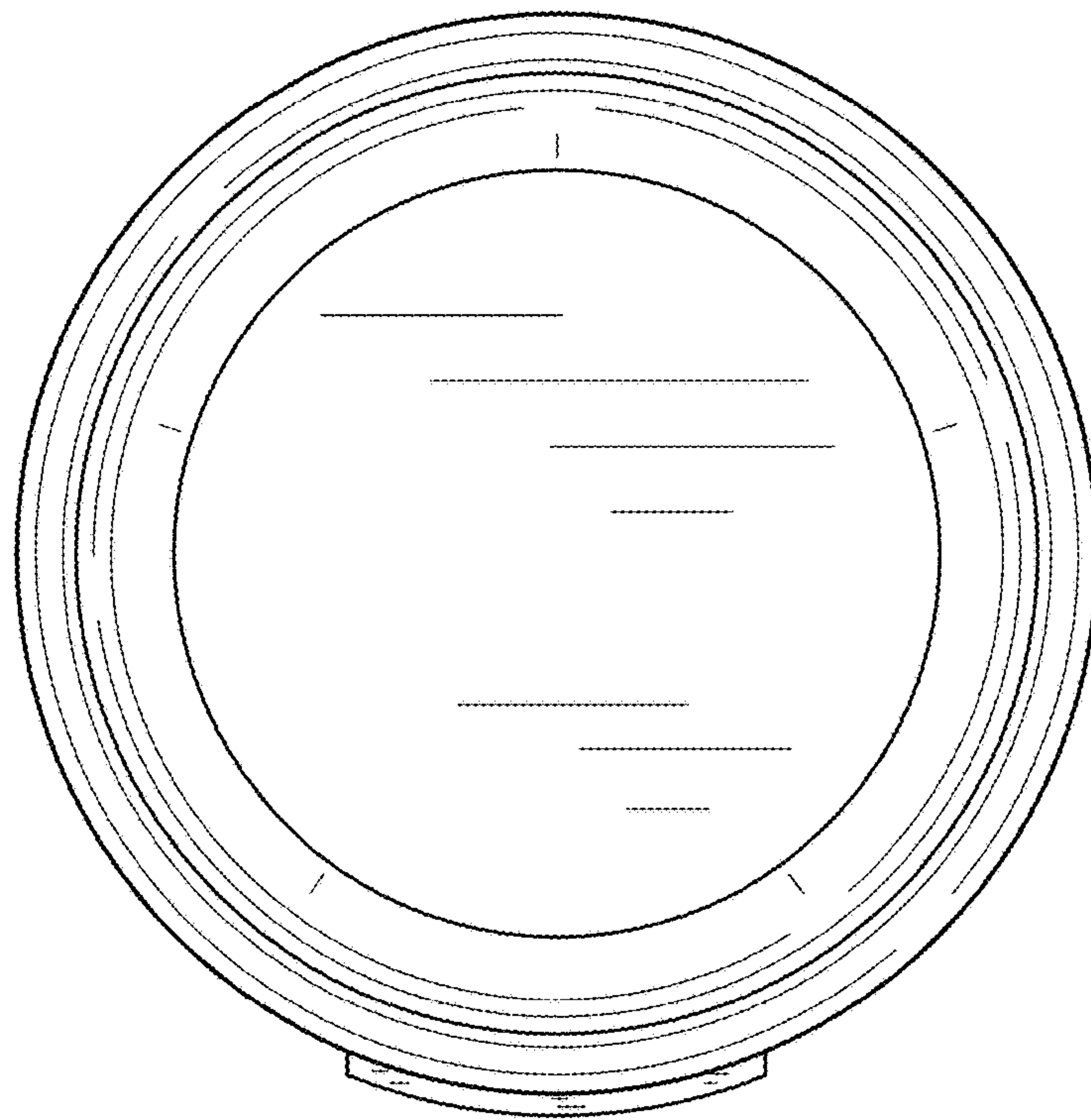


FIG. 4

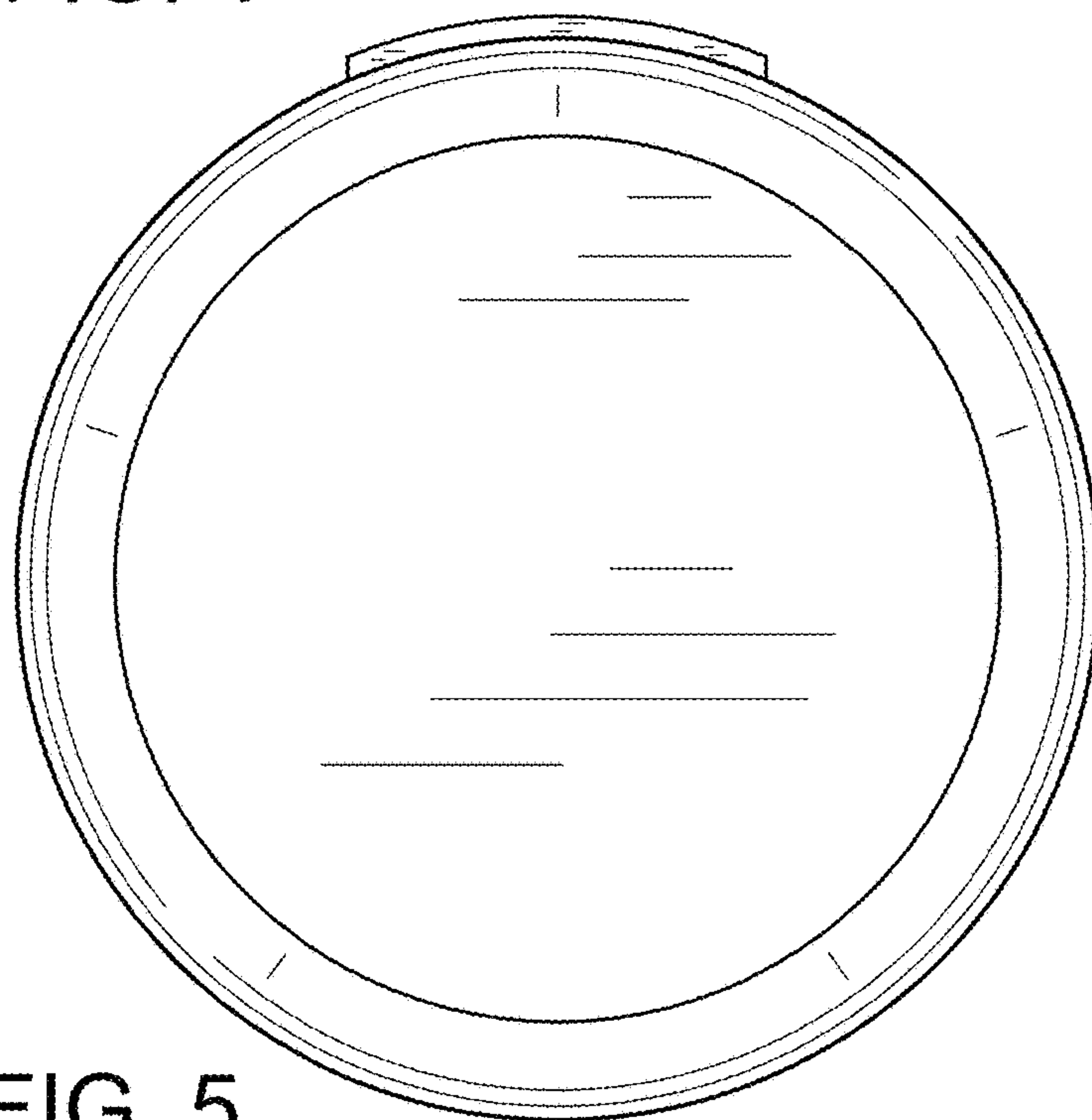


FIG. 5

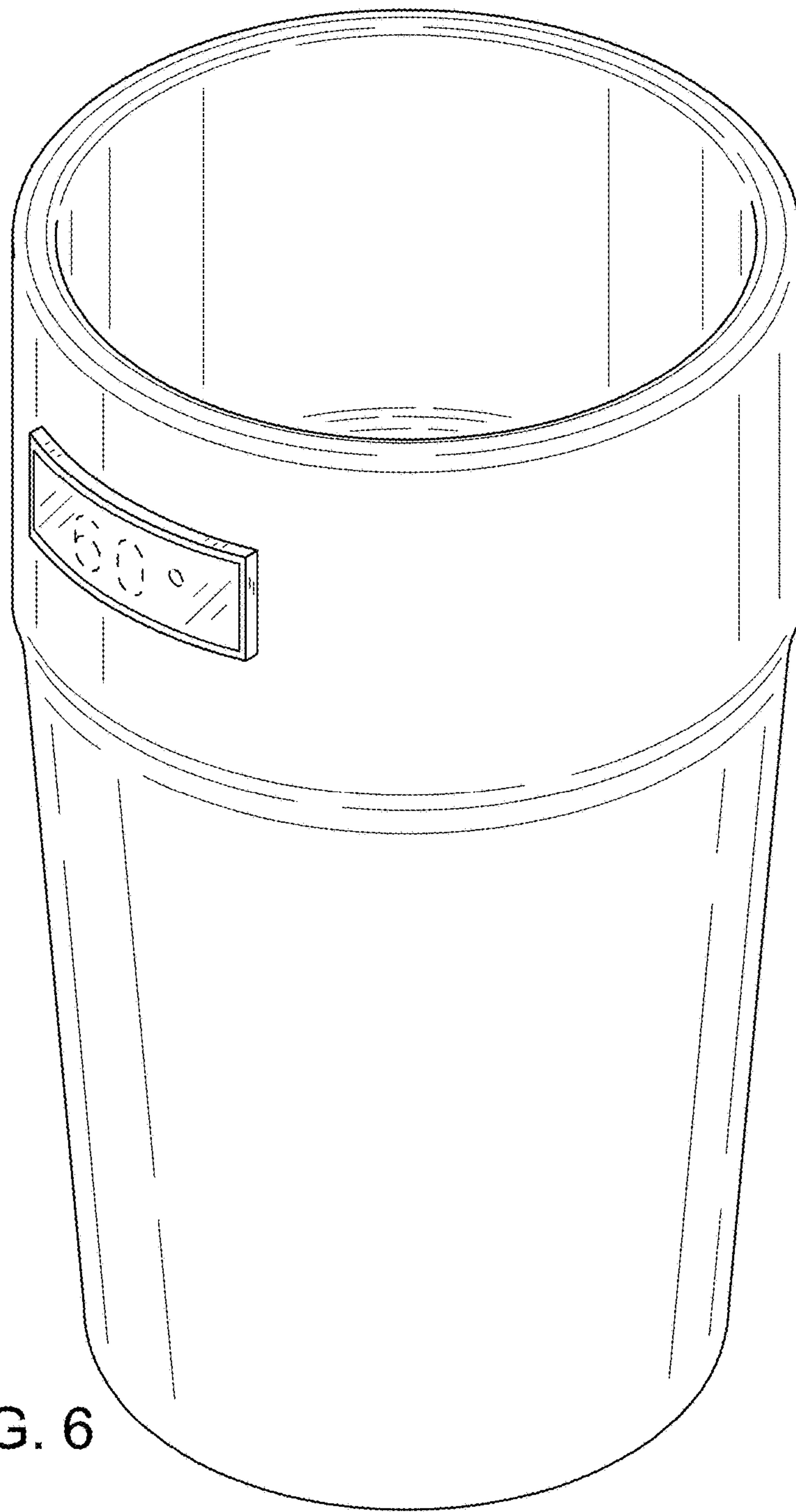


FIG. 6