



US00D802997S

(12) **United States Design Patent** (10) **Patent No.:** **US D802,997 S**  
**Bogazzi** (45) **Date of Patent:** **\*\* Nov. 21, 2017**

(54) **CHARCOAL IGNITER**  
(71) Applicant: **Marco Bogazzi**, Marietta, GA (US)  
(72) Inventor: **Marco Bogazzi**, Marietta, GA (US)  
(73) Assignee: **The Big Green Egg, Inc.**, Atlanta, GA (US)  
(\*\*) Term: **15 Years**  
(21) Appl. No.: **29/555,219**  
(22) Filed: **Feb. 19, 2016**  
(51) **LOC (10) Cl.** ..... **07-99**  
(52) **U.S. Cl.**  
USPC ..... **D7/416; D27/154**  
(58) **Field of Classification Search**  
USPC ..... D7/690, 682, 376, 379, 416, 417, 407,  
D7/409, 515; D27/141, 154, 157;  
431/344; D30/155; D13/100; D21/402;  
D15/9.1  
CPC .... A61B 18/1492; A61F 2/88; A47J 43/1093;  
A47J 37/079; C10L 11/04; F23Q 2/164  
See application file for complete search history.

D392,154 S \* 3/1998 Ferrara, Jr. .... D27/154  
D424,374 S \* 5/2000 Stein ..... D7/416  
D444,912 S \* 7/2001 Xie ..... D27/157  
D495,205 S \* 8/2004 Zhou ..... D7/416  
D498,978 S \* 11/2004 Yang ..... D7/416  
D532,256 S \* 11/2006 van Geenen ..... D7/416

\* cited by examiner

*Primary Examiner* — Marianne Pandozzi  
(74) *Attorney, Agent, or Firm* — Merchant & Gould PC;  
R. Stevan Coursey

(57) **CLAIM**

The ornamental design for a charcoal igniter, as shown and described.

**DESCRIPTION**

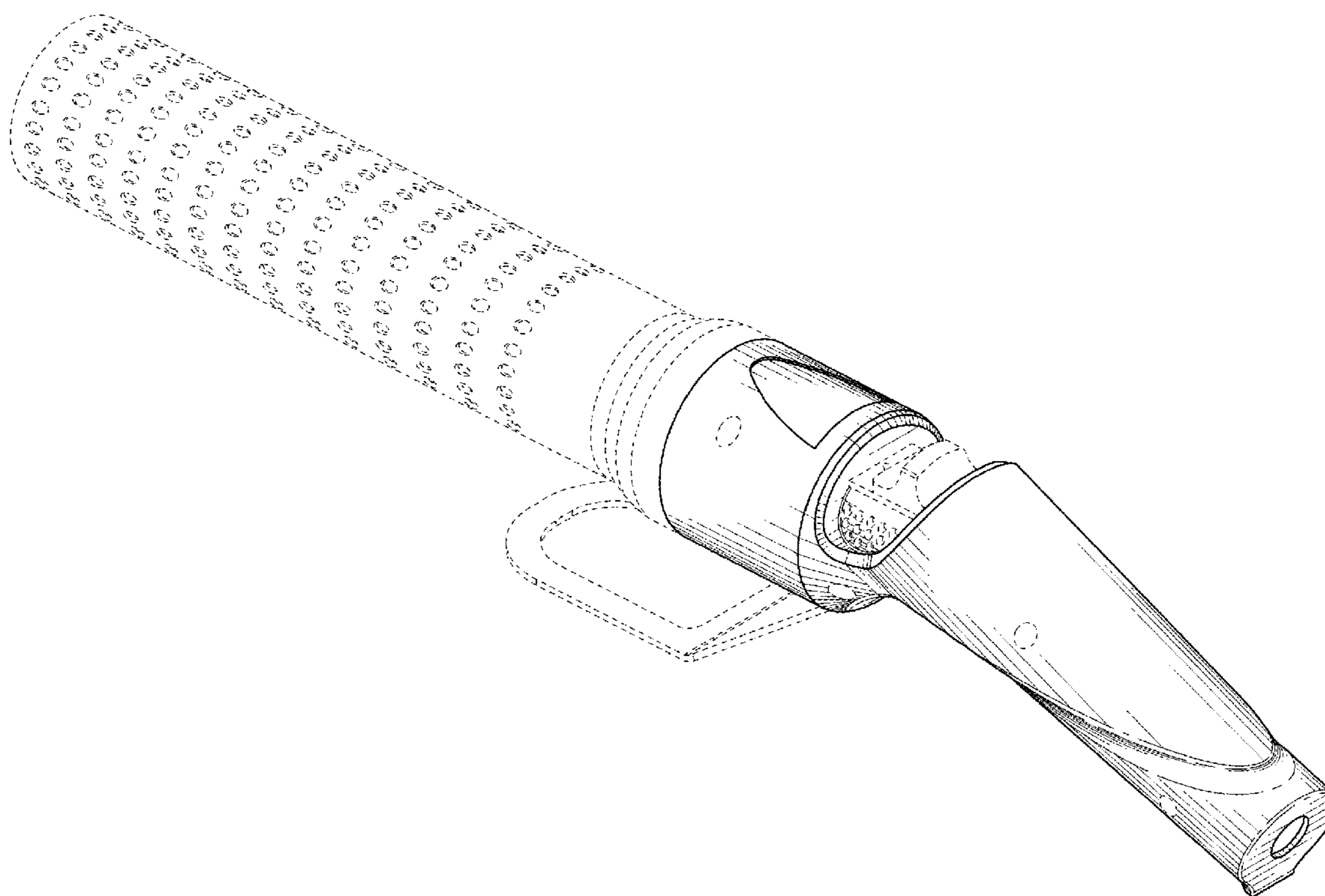
FIG. 1 is a front perspective view of a charcoal igniter showing my new design;  
FIG. 2 is a left side view thereof;  
FIG. 3 is a right side view thereof;  
FIG. 4 is a rear view thereof;  
FIG. 5 is a front view thereof;  
FIG. 6 is a top plan view thereof; and,  
FIG. 7 is a bottom plan view thereof.  
The broken lines in the drawing depict portions of the charcoal igniter that form no part of the claimed design.

**1 Claim, 3 Drawing Sheets**

(56) **References Cited**

**U.S. PATENT DOCUMENTS**

D213,518 S \* 3/1969 Van Poppel ..... D7/416  
D293,603 S \* 1/1988 Matsumaru ..... D7/416



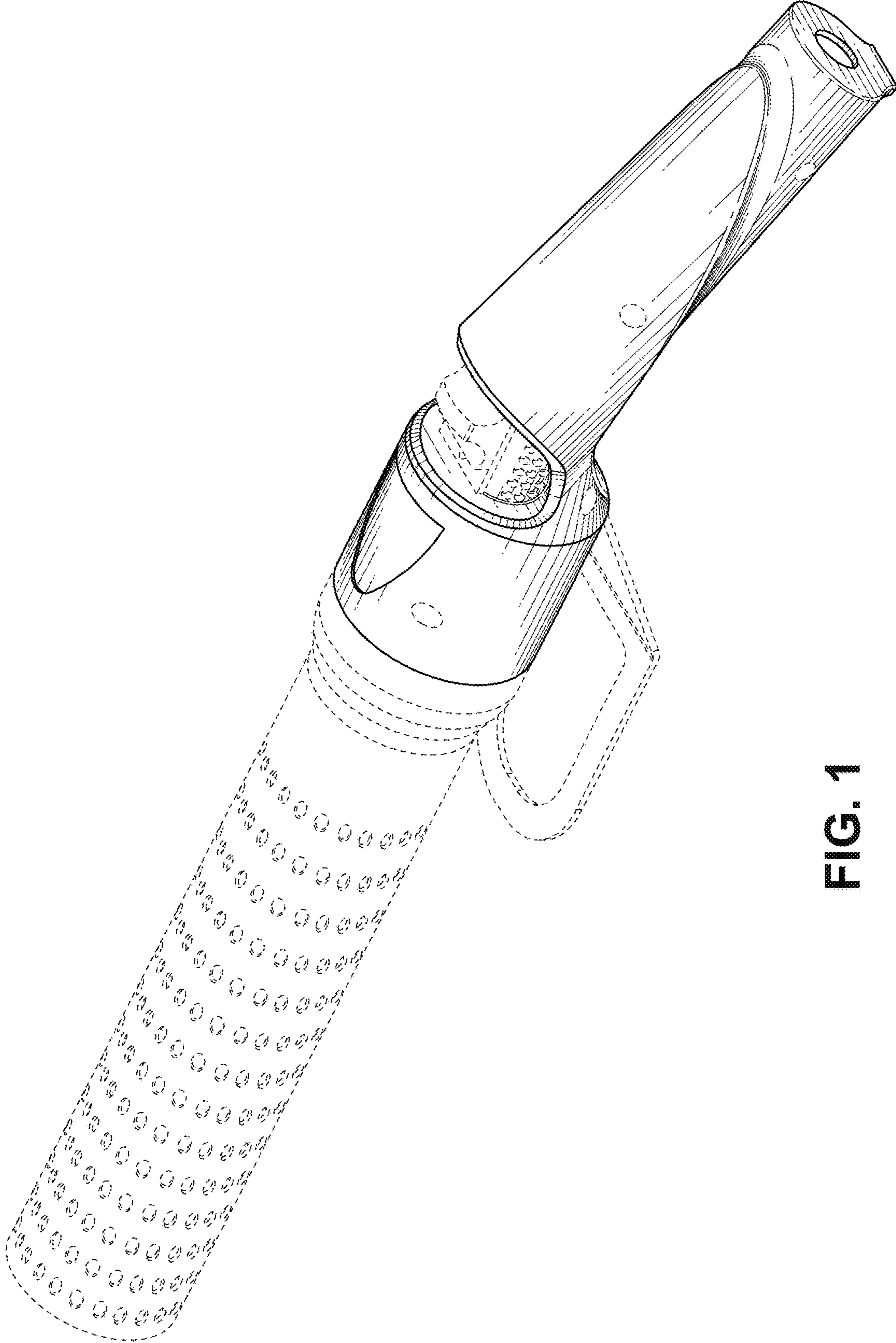


FIG. 1

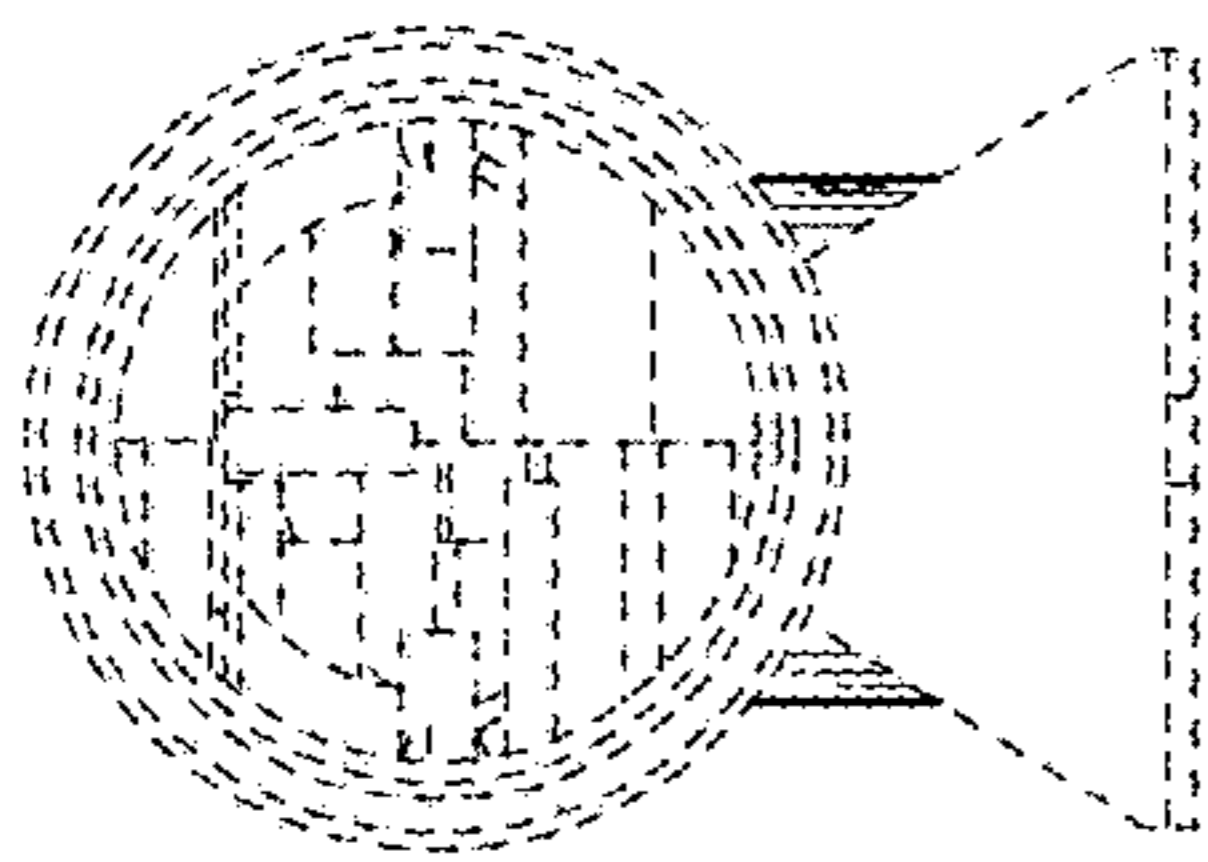


FIG. 2

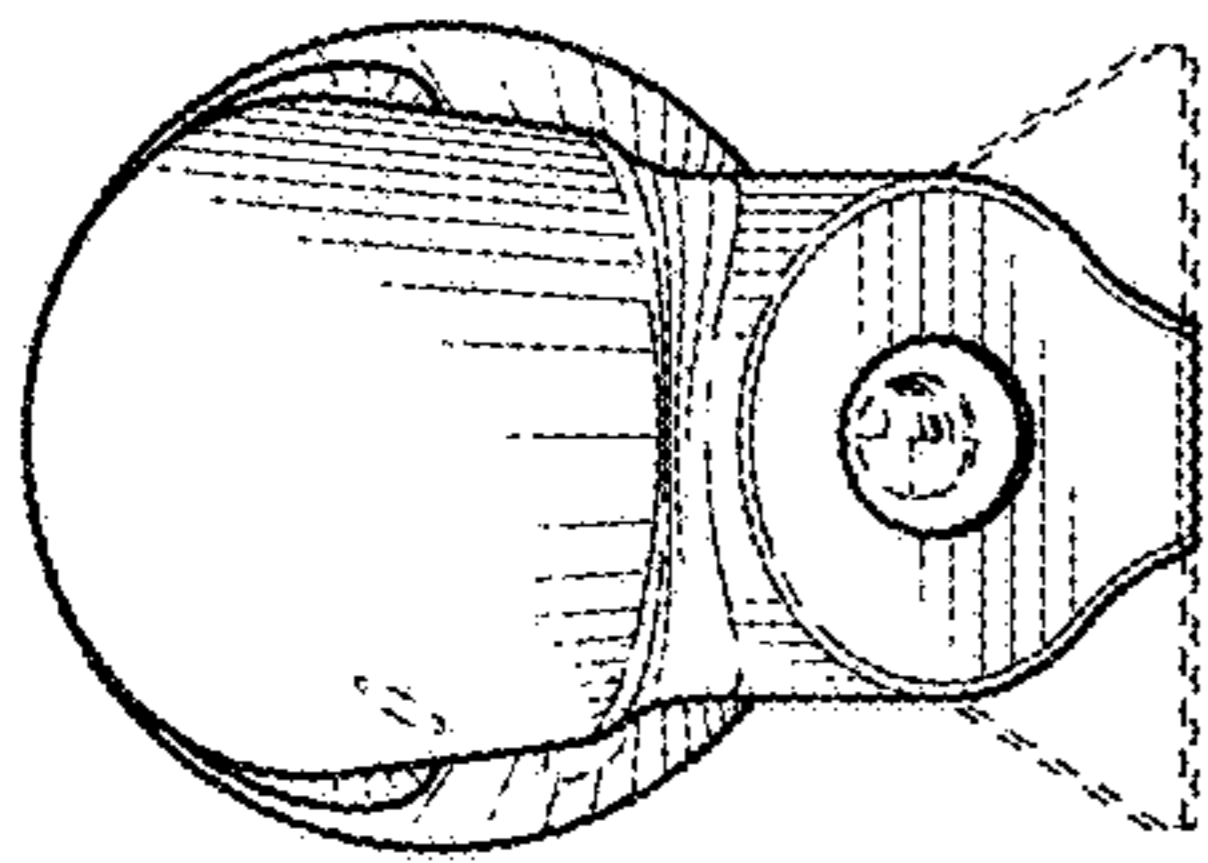


FIG. 3

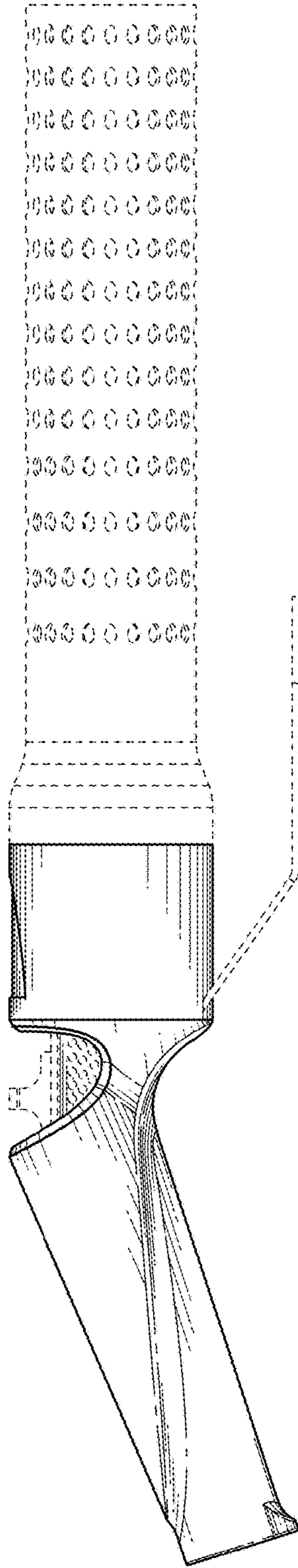


FIG. 4

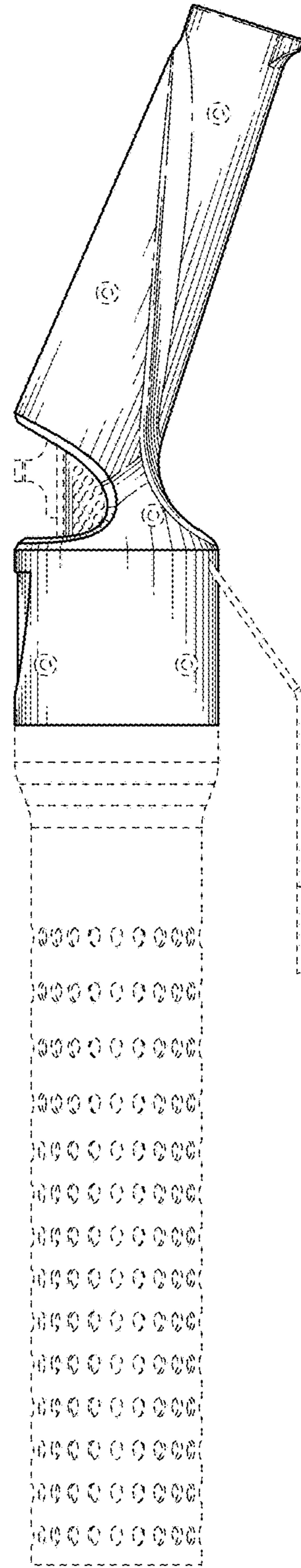


FIG. 5



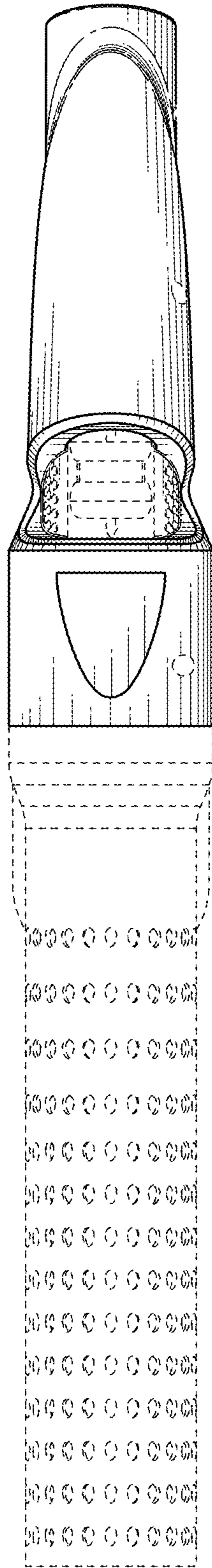


FIG. 6

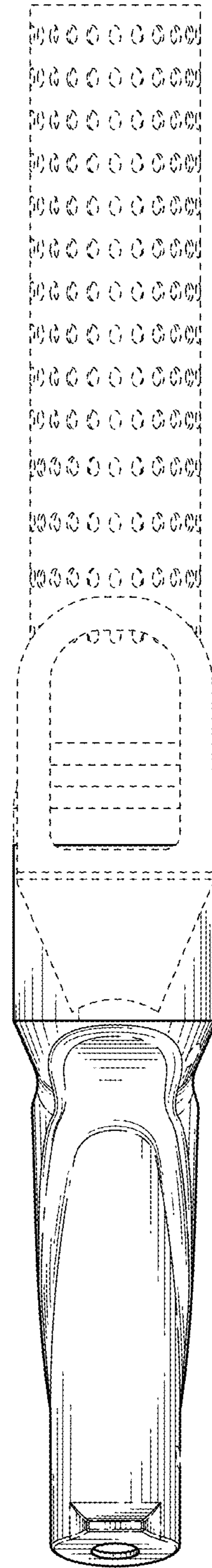


FIG. 7