



US00D802996S

(12) **United States Design Patent** (10) **Patent No.:** **US D802,996 S**
Bhogal et al. (45) **Date of Patent:** **** Nov. 21, 2017**

(54) **DOOR FOR A COUNTERTOP OVEN**

(56) **References Cited**

(71) Applicant: **June Life, Inc.**, San Francisco, CA (US)

U.S. PATENT DOCUMENTS

(72) Inventors: **Nikhil Bhogal**, San Francisco, CA (US); **Danielle Sheehan**, San Francisco, CA (US); **Gabe Risk**, San Francisco, CA (US); **Amanda Tyree**, San Francisco, CA (US); **Nikko Lubinski**, San Francisco, CA (US); **Matt Van Horn**, San Francisco, CA (US); **William Drew Atkinson**, San Francisco, CA (US)

5,422,458 A * 6/1995 Simmel F24C 7/00
 126/192
 D463,198 S * 9/2002 Nishikawa D7/351
 D525,075 S * 7/2006 Jeon D7/350.1
 D539,592 S * 4/2007 Jeon D7/350.1

(Continued)

Primary Examiner — Cynthia M Chin

(74) *Attorney, Agent, or Firm* — Jeffrey Schox; Diana Lin

(73) Assignee: **June Life, Inc.**, San Francisco, CA (US)

(57) **CLAIM**

We claim the ornamental design for a door for a countertop oven, as shown and described.

(**) Term: **15 Years**

DESCRIPTION

(21) Appl. No.: **29/594,441**

FIG. 1 is an isometric view, from the top front right, of the door for a countertop oven.

(22) Filed: **Feb. 17, 2017**

FIG. 2 is an elevation view of the front of the door for a countertop oven.

Related U.S. Application Data

(63) Continuation-in-part of application No. 29/529,543, filed on Jun. 8, 2015, now Pat. No. Des. 782,864.

FIG. 3 is an elevation view of the right side of the door for a countertop oven.

(51) **LOC (10) Cl.** **07-02**

FIG. 4 is an elevation view of the left side of the door for a countertop oven.

(52) **U.S. Cl.**
USPC **D7/405**

FIG. 5 is a plan view of the top of the door for a countertop oven.

(58) **Field of Classification Search**

USPC ... D7/323, 332, 334–337, 348, 350.1–350.4, D7/351, 402–405, 417, 338

FIG. 6 is a plan view of the bottom of the door for a countertop oven.

CPC A47J 37/0704; A47J 37/0763; A47J 37/0745; A47J 37/0713; A47J 37/0768;

FIG. 7 is an isometric view, from the top front left, of the interior of the door for the countertop oven in an open position.

A47J 37/079; A47J 36/26; A47J 39/00; F24C 3/14; F24C 3/027; F24C 15/08;

FIG. 8 is a plan view, from the top, of the interior of the door for the countertop oven in an open position; and,

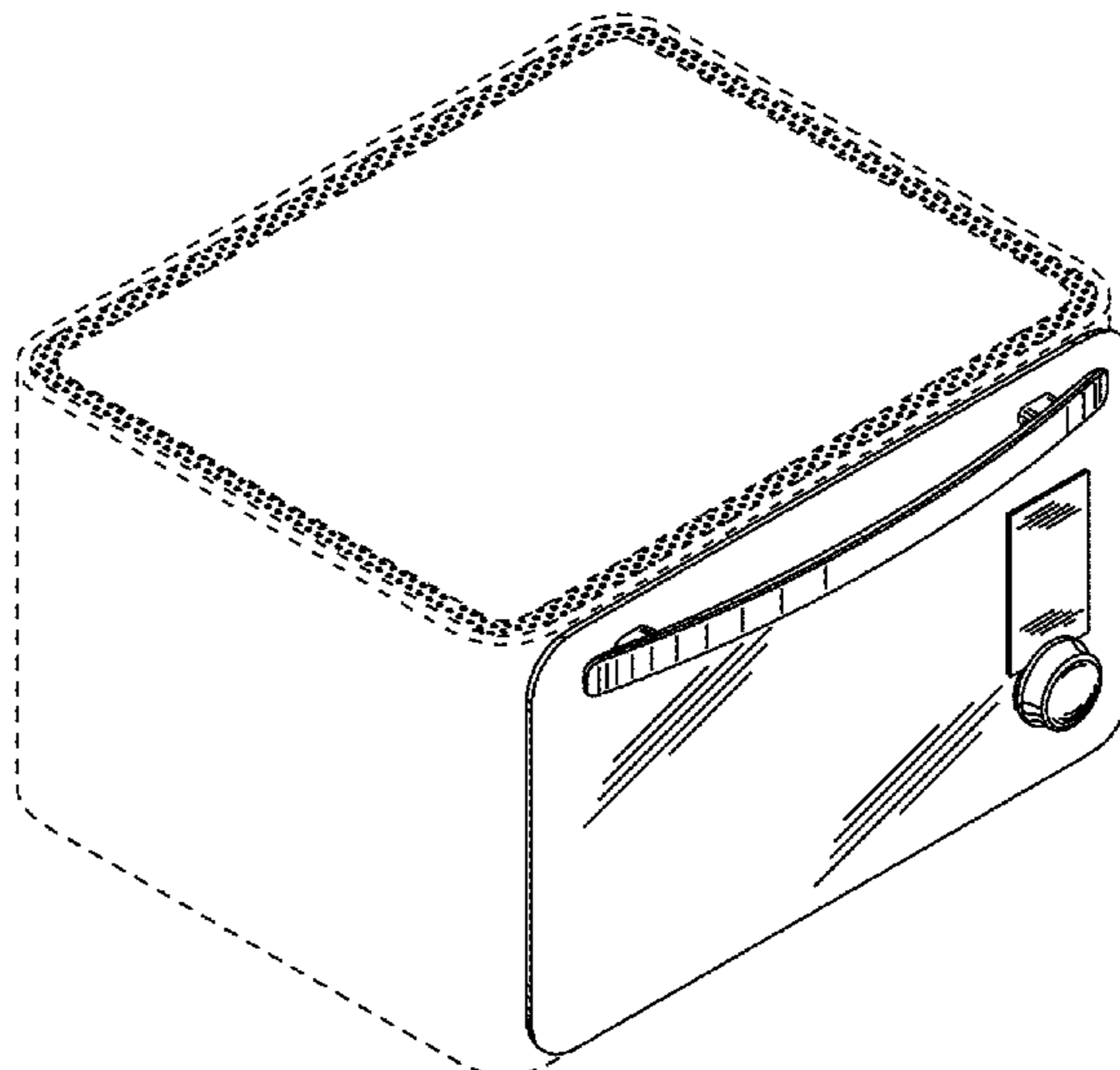
F47J 33/00; F24B 1/205; F24B 1/02; F24B 15/04; A23B 4/052; B65D 85/1045; B65D 85/18

FIG. 9 is an isometric view, from the bottom back right, of the rear of the rear of the countertop oven in an open position.

The broken lines represent the environment in which the article resides and forms no part of the claimed design.

See application file for complete search history.

1 Claim, 6 Drawing Sheets



(56)

References Cited

U.S. PATENT DOCUMENTS

D540,613	S	*	4/2007	Jeon	D7/350.1
D655,129	S	*	3/2012	Gresko	D7/350.1
D663,156	S	*	7/2012	Curtis	D7/350.1
D670,529	S	*	11/2012	Hensel	D7/350.1
D717,579	S	*	11/2014	Gregory	D7/350.4
2002/0084266	A1	*	7/2002	Ahn	H05B 6/642 219/757
2005/0133503	A1	*	6/2005	Kim	H05B 6/642 219/757
2006/0289506	A1	*	12/2006	Shon	H05B 6/6461 219/707
2009/0107343	A1	*	4/2009	De' Longhi	A47J 37/0623 99/352

* cited by examiner

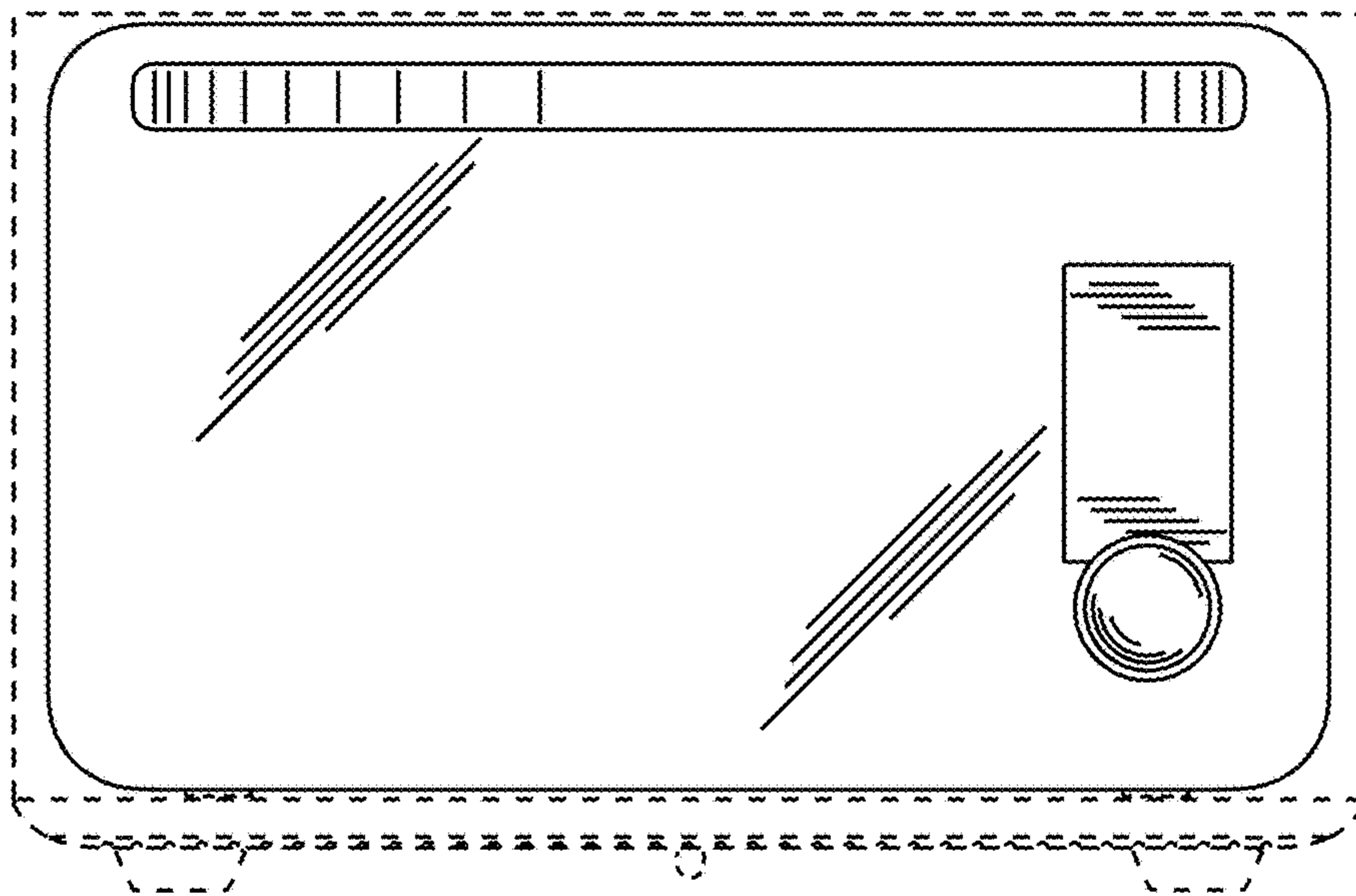
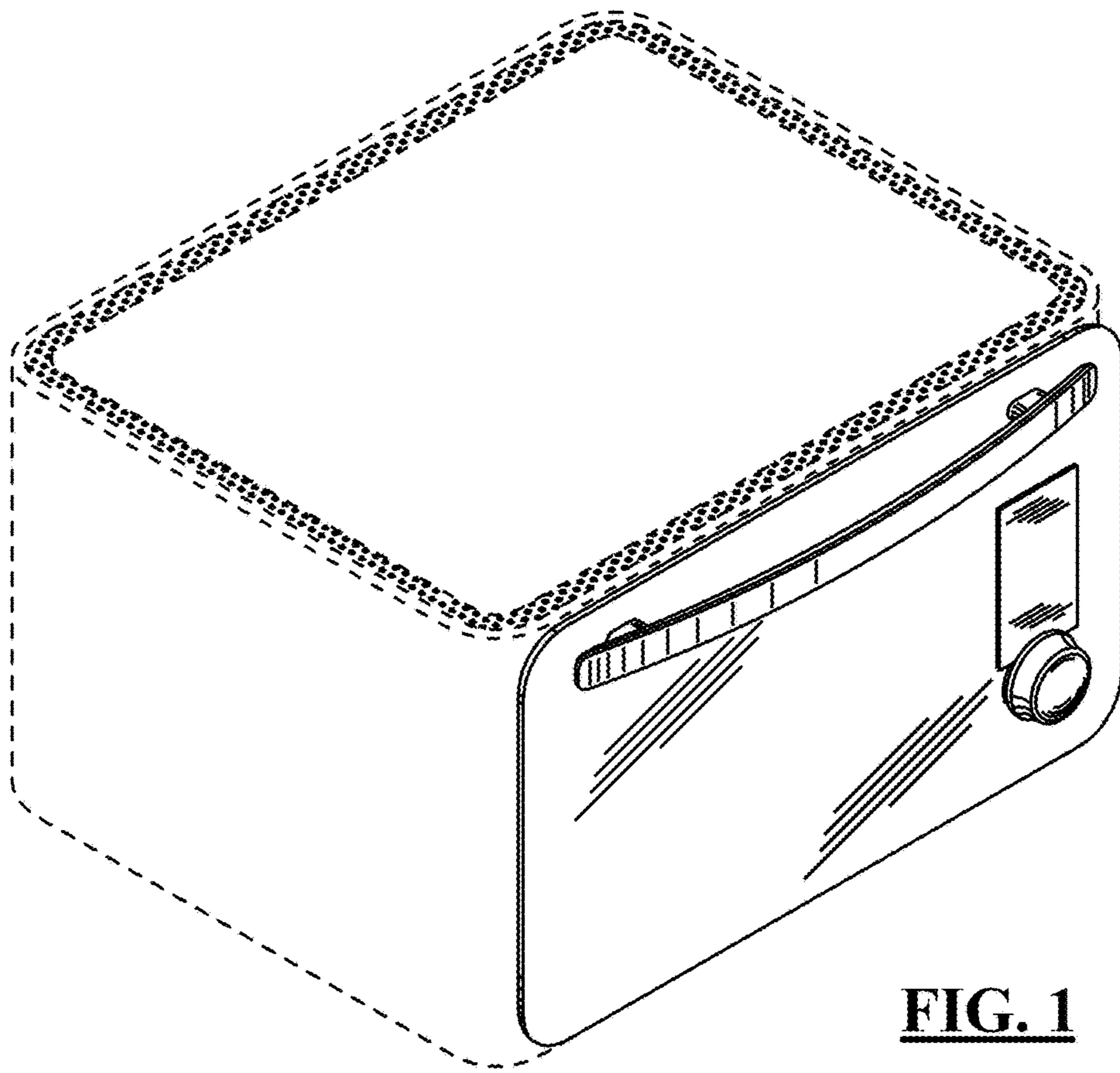


FIG. 2

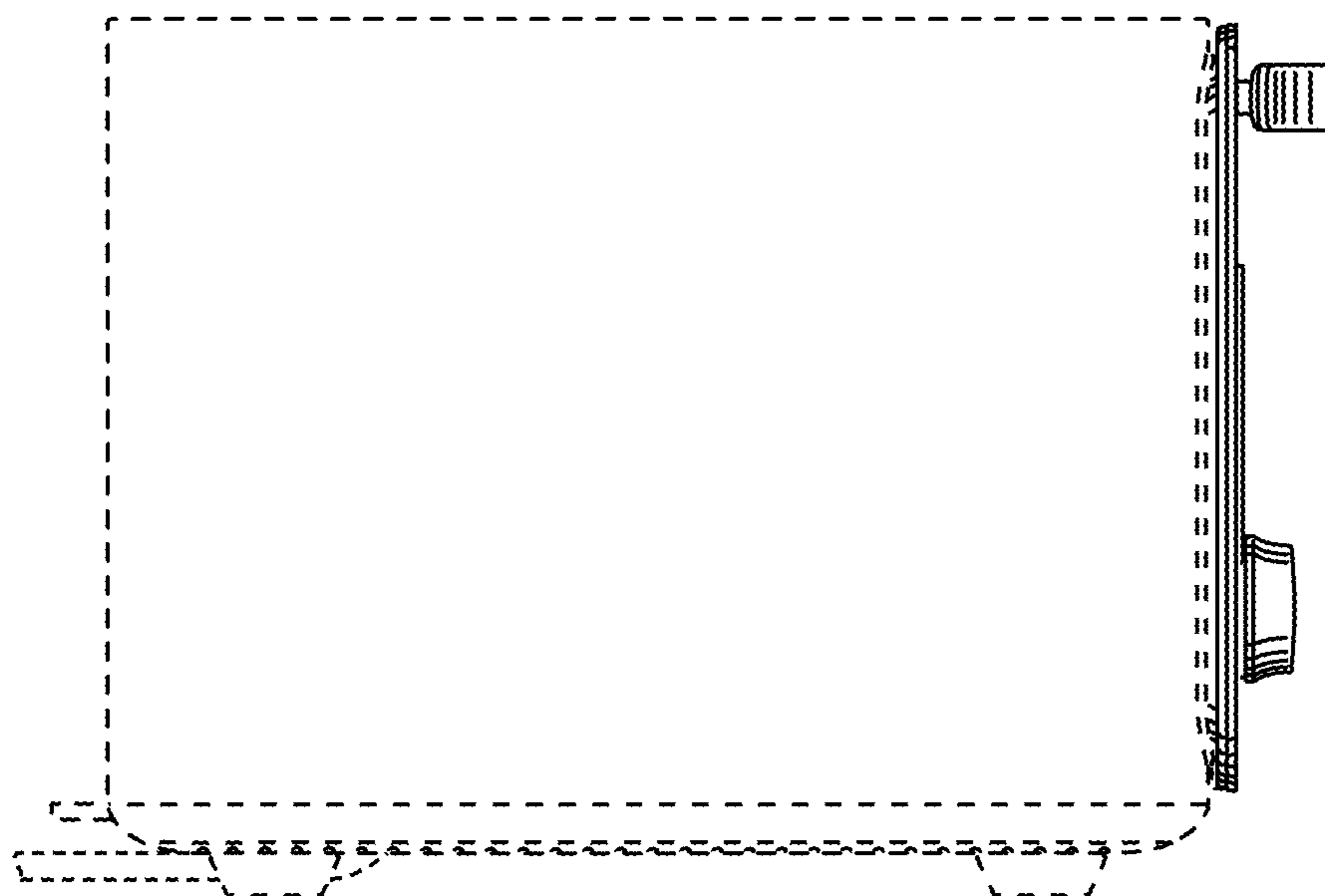


FIG. 3



FIG. 4

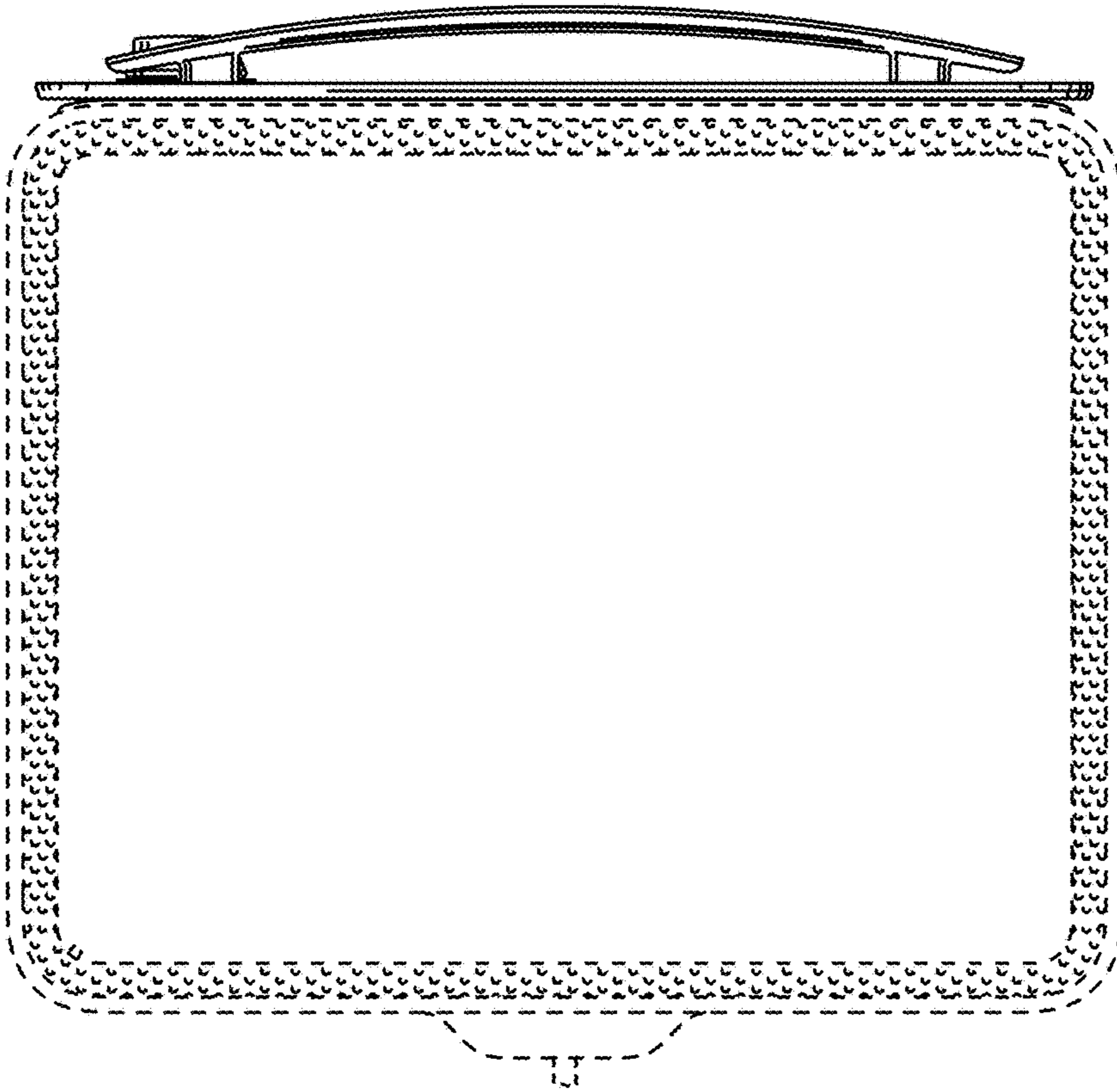


FIG. 5

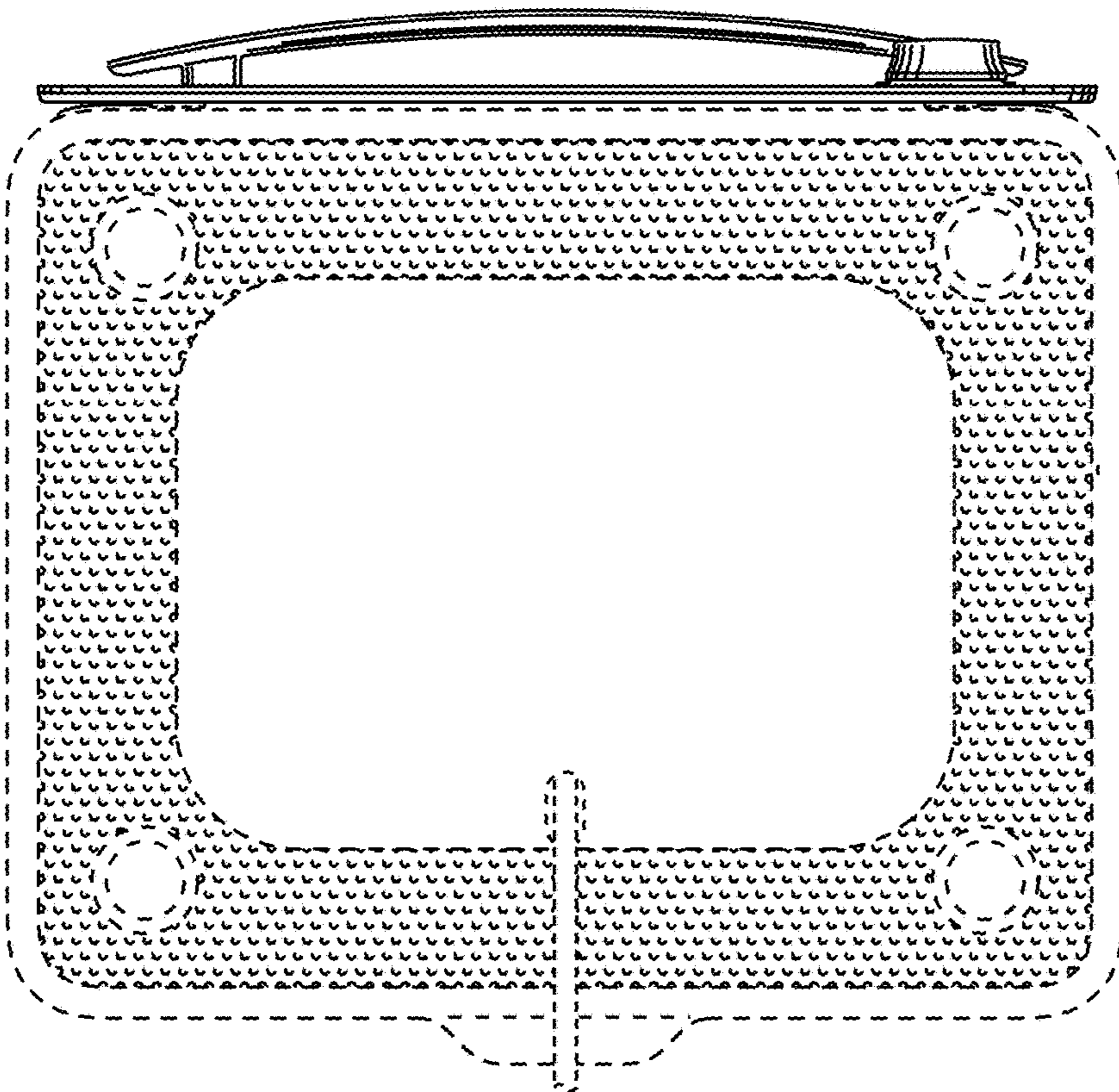


FIG. 6

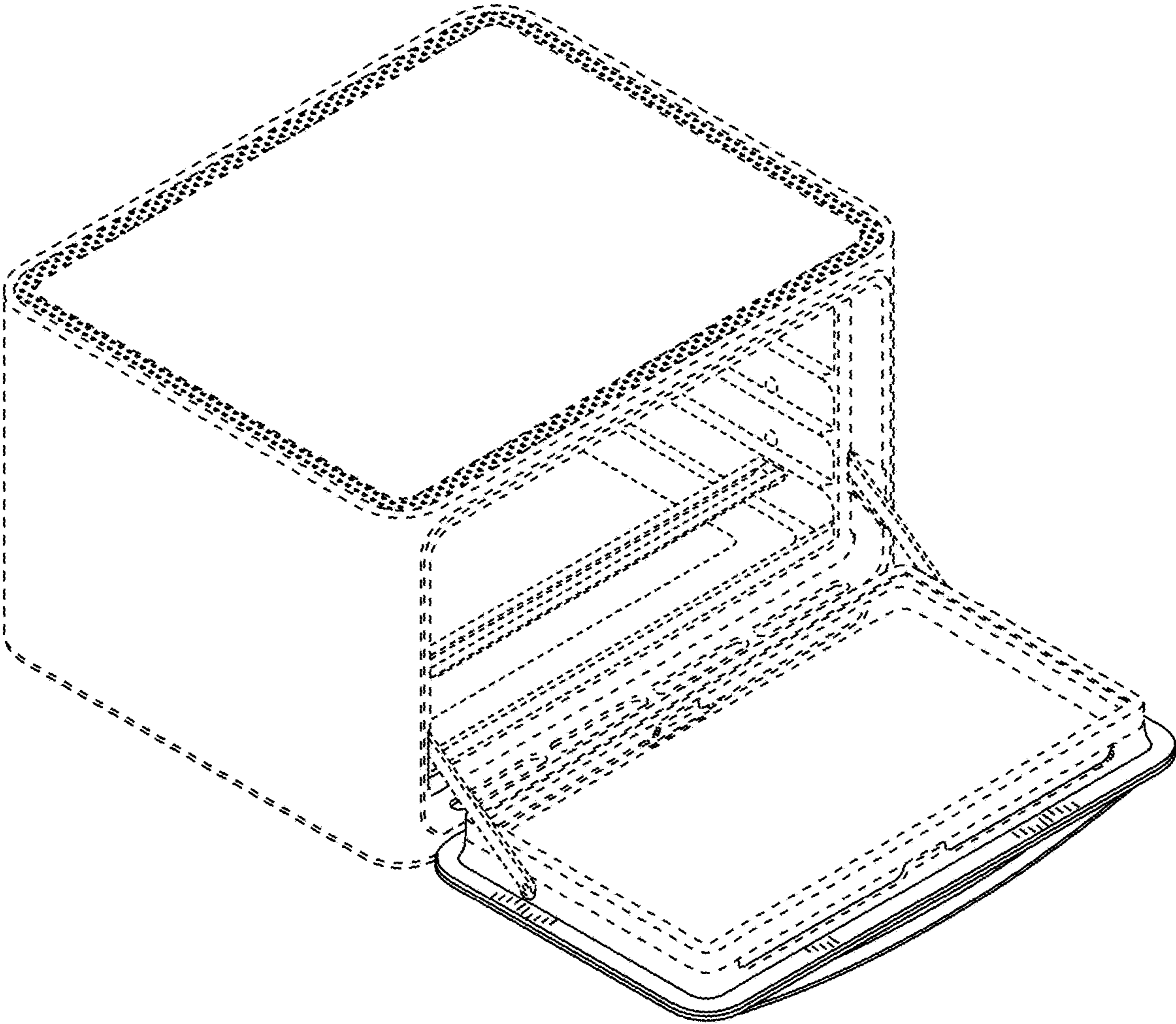


FIG. 7

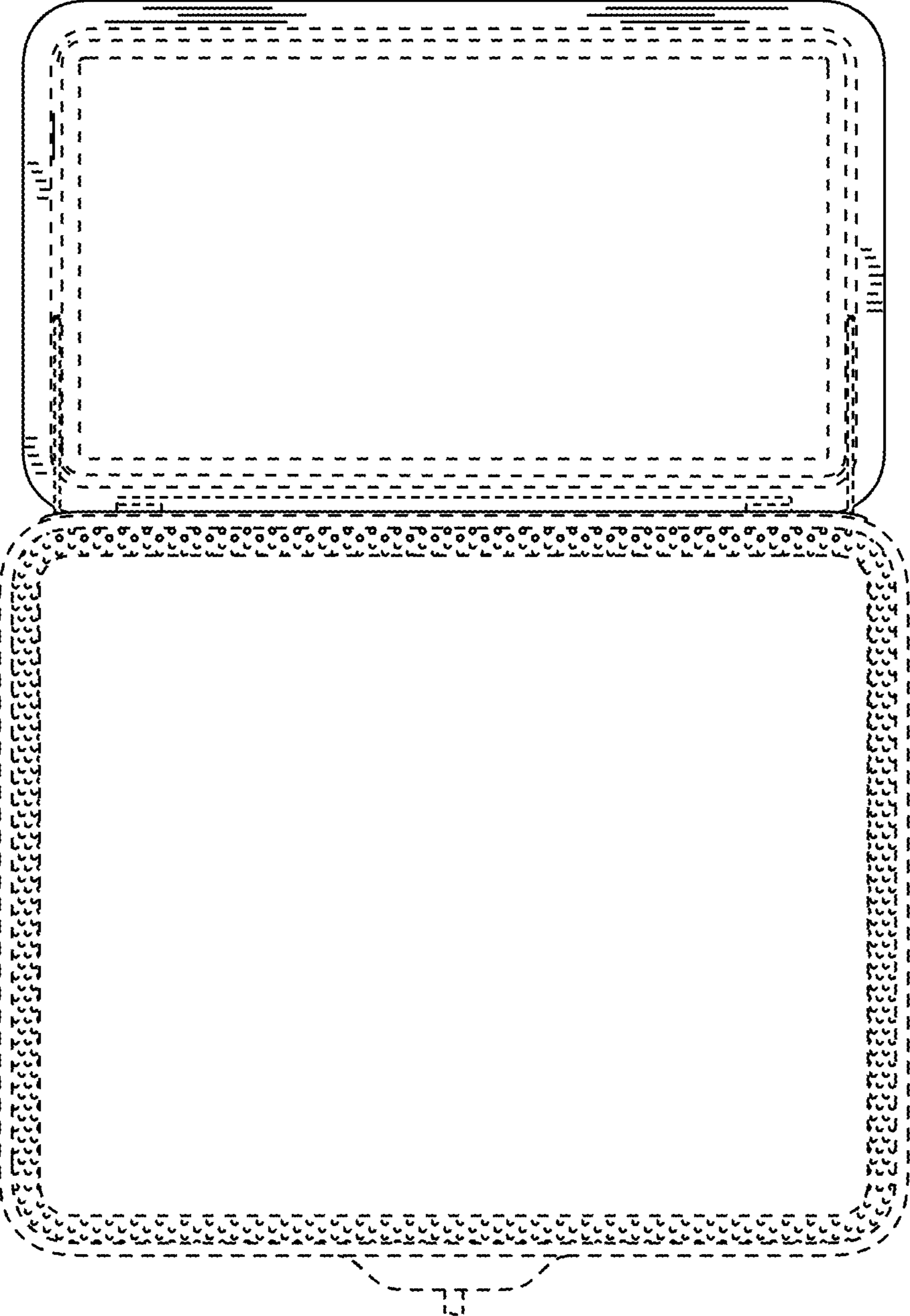


FIG. 8

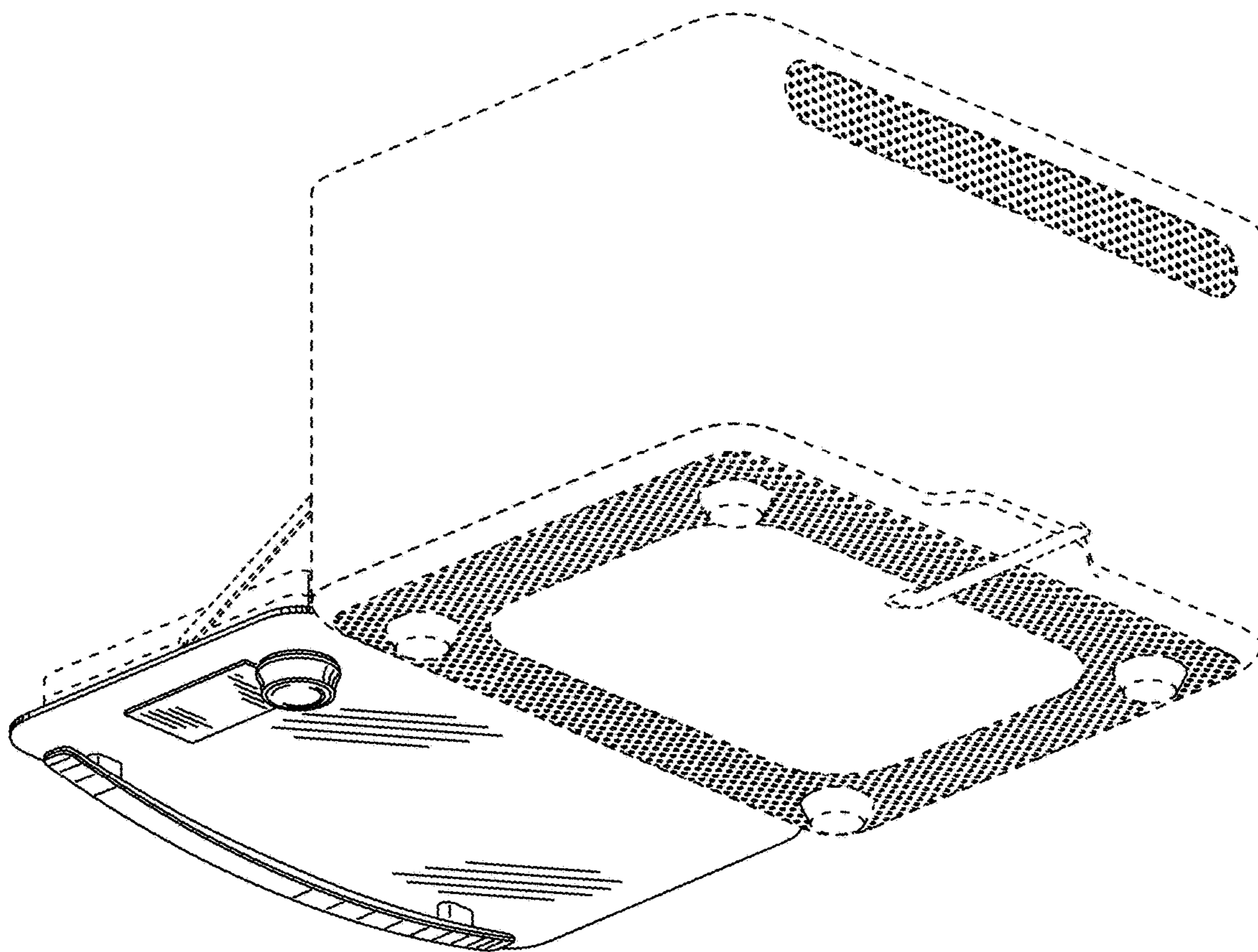


FIG. 9