



US00D802995S

(12) **United States Design Patent**
Rogers

(10) **Patent No.:** **US D802,995 S**

(45) **Date of Patent:** **** Nov. 21, 2017**

(54) **BARBECUE LINER**

(71) Applicant: **Kenneth Colin Rogers**, Harrington Park (AU)

(72) Inventor: **Kenneth Colin Rogers**, Harrington Park (AU)

(**) Term: **14 Years**

(21) Appl. No.: **29/510,529**

(22) Filed: **Nov. 30, 2014**

(30) **Foreign Application Priority Data**

May 2, 2014 (AU) 201412139

(51) **LOC (10) Cl.** **07-02**

(52) **U.S. Cl.**
USPC **D7/402**

(58) **Field of Classification Search**
USPC D7/331-337, 402-409; 126/25 R, 38
CPC ... A47J 37/07-37/0715; A47J 37/06-37/0611;
A47J 2037/0777; A23B 4/052; A23B
4/044
See application file for complete search history.

(56) **References Cited**

U.S. PATENT DOCUMENTS

D406,009 S * 2/1999 Wagner D7/332
D488,025 S * 4/2004 Tseng D7/402

D503,587 S * 4/2005 Johnson D7/402
6,910,476 B2 * 6/2005 Johnson A47J 37/0704
126/39 R
D572,967 S * 7/2008 Thomas D7/337
D671,361 S * 11/2012 Witzel D7/402
D753,956 S * 4/2016 Yang D7/402
2002/0069866 A1 * 6/2002 DeMars A47J 37/0704
126/38
2003/0192526 A1 * 10/2003 DeMars A47J 37/0704
126/38
2010/0180881 A1 * 7/2010 Chen A47J 37/0713
126/25 R

* cited by examiner

Primary Examiner — Susan Bennett Hattan

Assistant Examiner — Brett Miller

(74) *Attorney, Agent, or Firm* — Michael J. Feigin, Esq.;
Feigin & Fridman

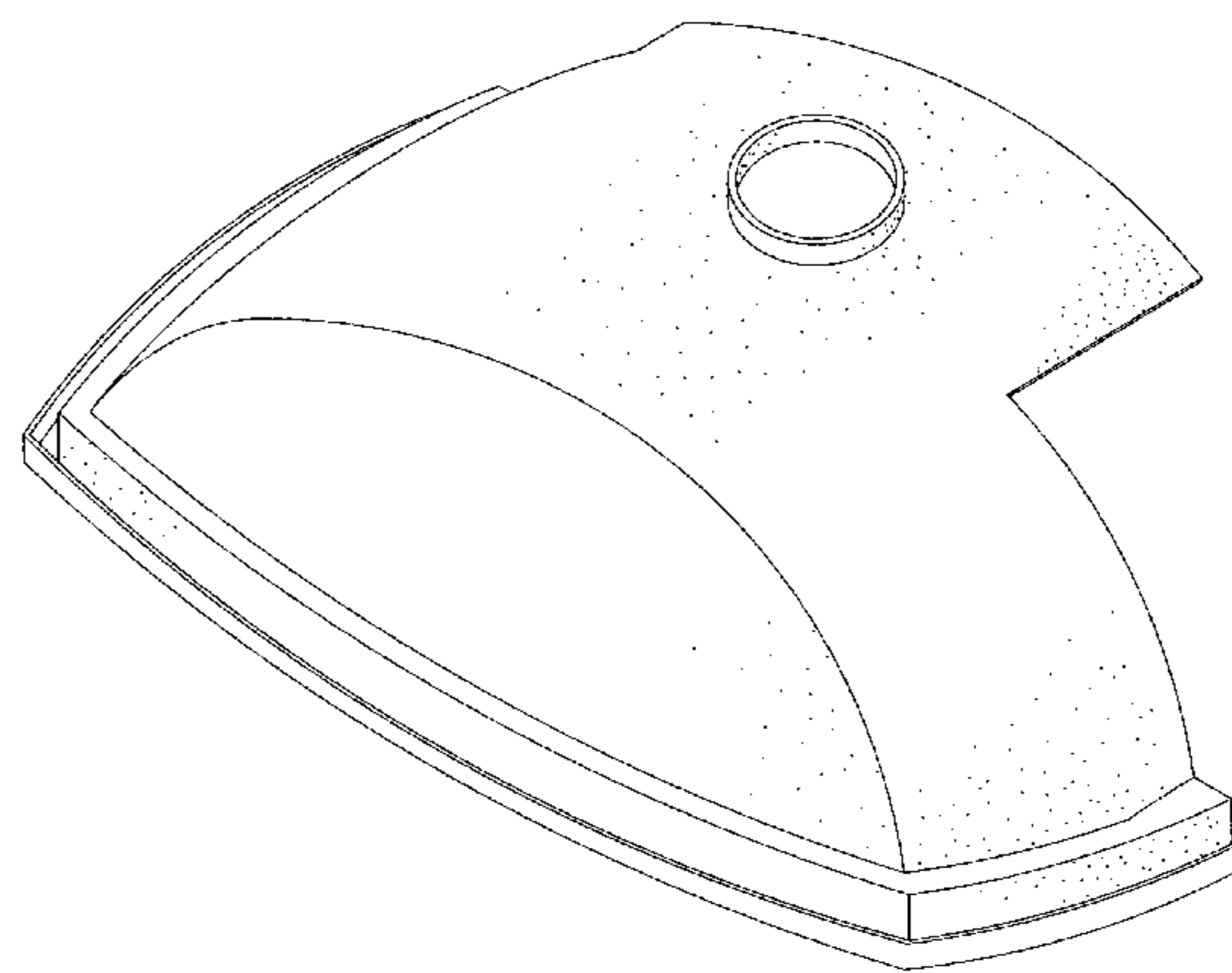
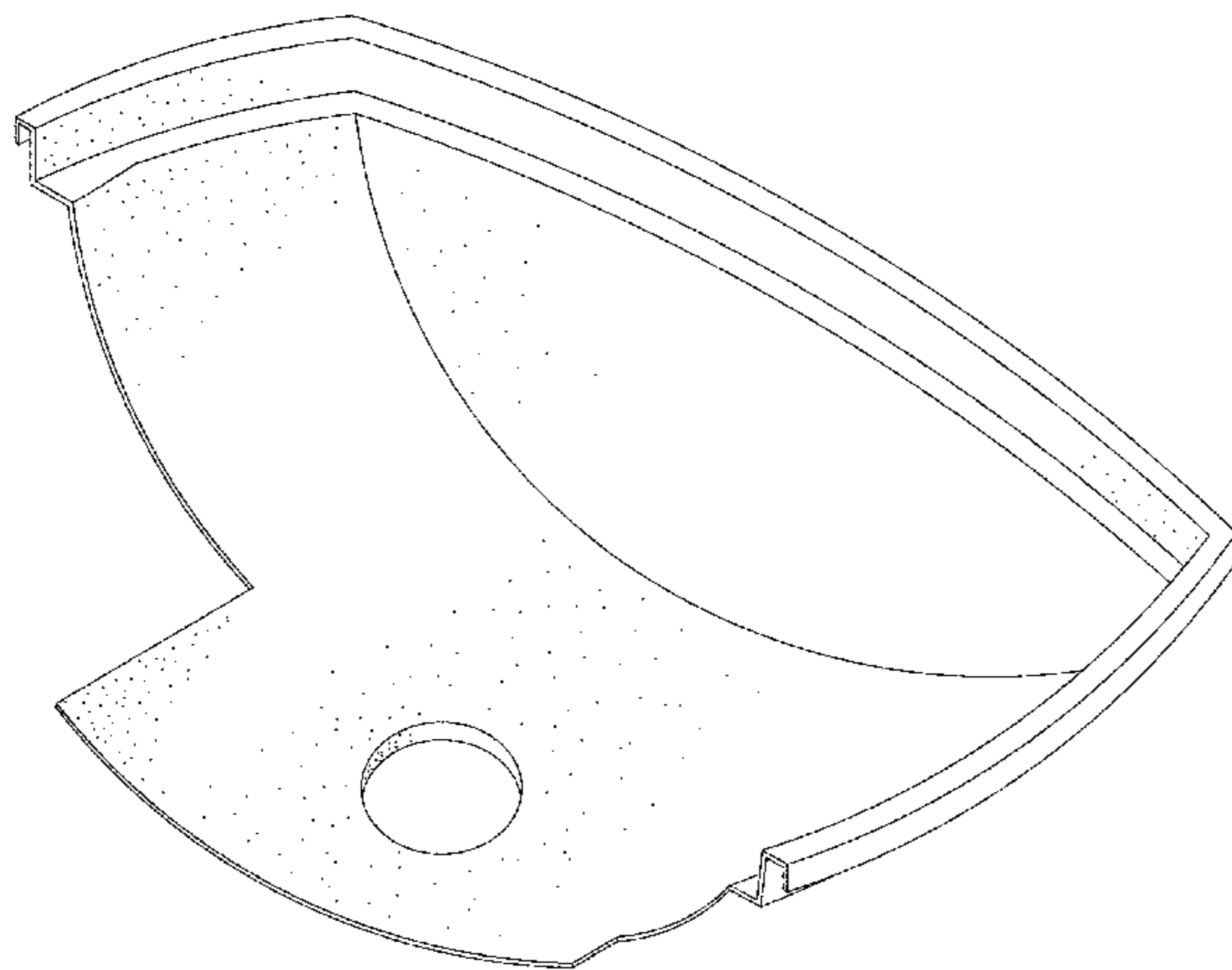
(57) **CLAIM**

The ornamental design for a barbecue liner, as shown and described.

DESCRIPTION

FIG. 1 shows a perspective view of the barbecue liner.
FIG. 2 shows a top view of the barbecue liner.
FIG. 3 shows a left side view of the barbecue liner
FIG. 4 shows a rear plain view of the barbecue liner; and,
FIG. 5 shows a perspective bottom view of the barbecue liner.

1 Claim, 5 Drawing Sheets



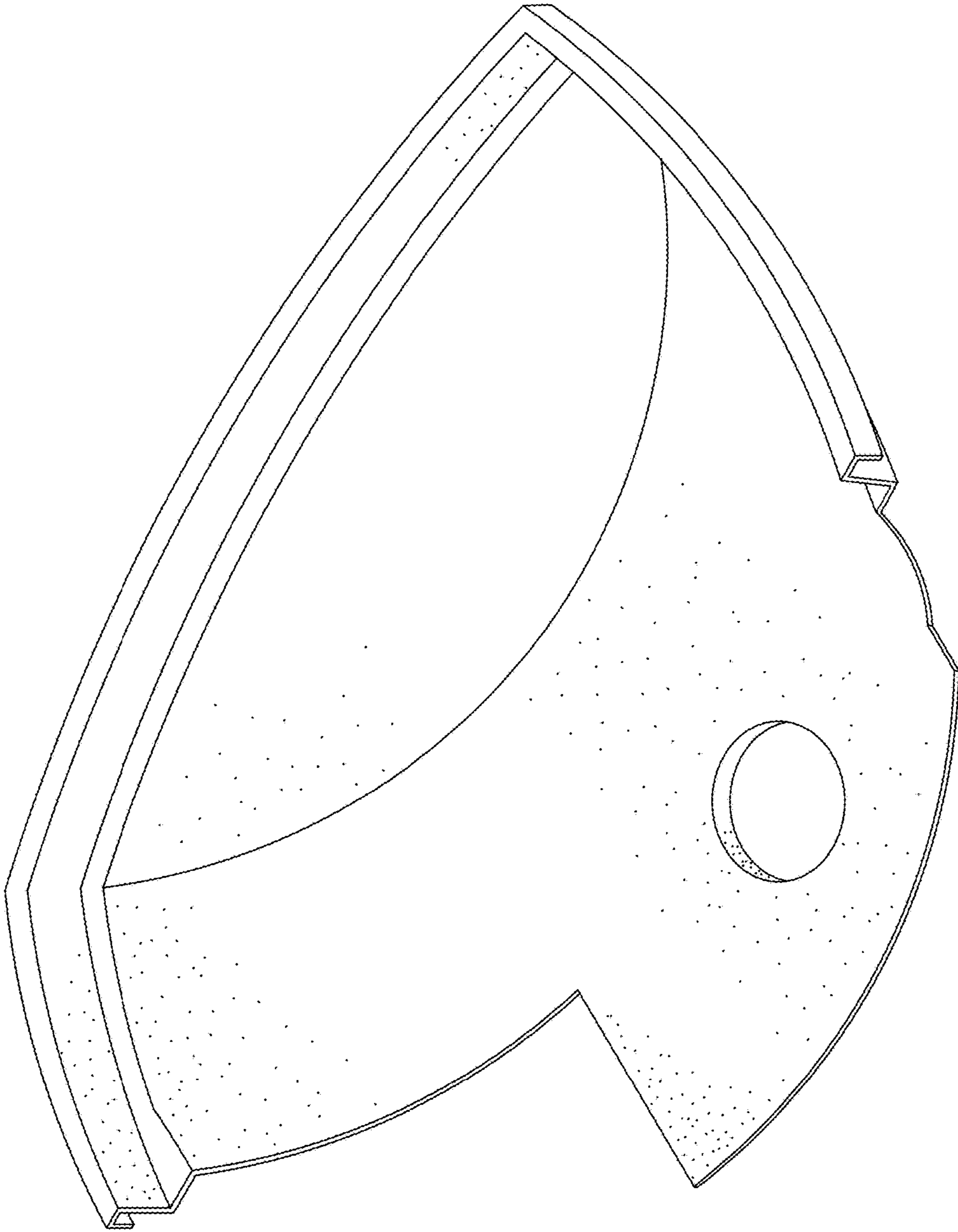


FIG. 1

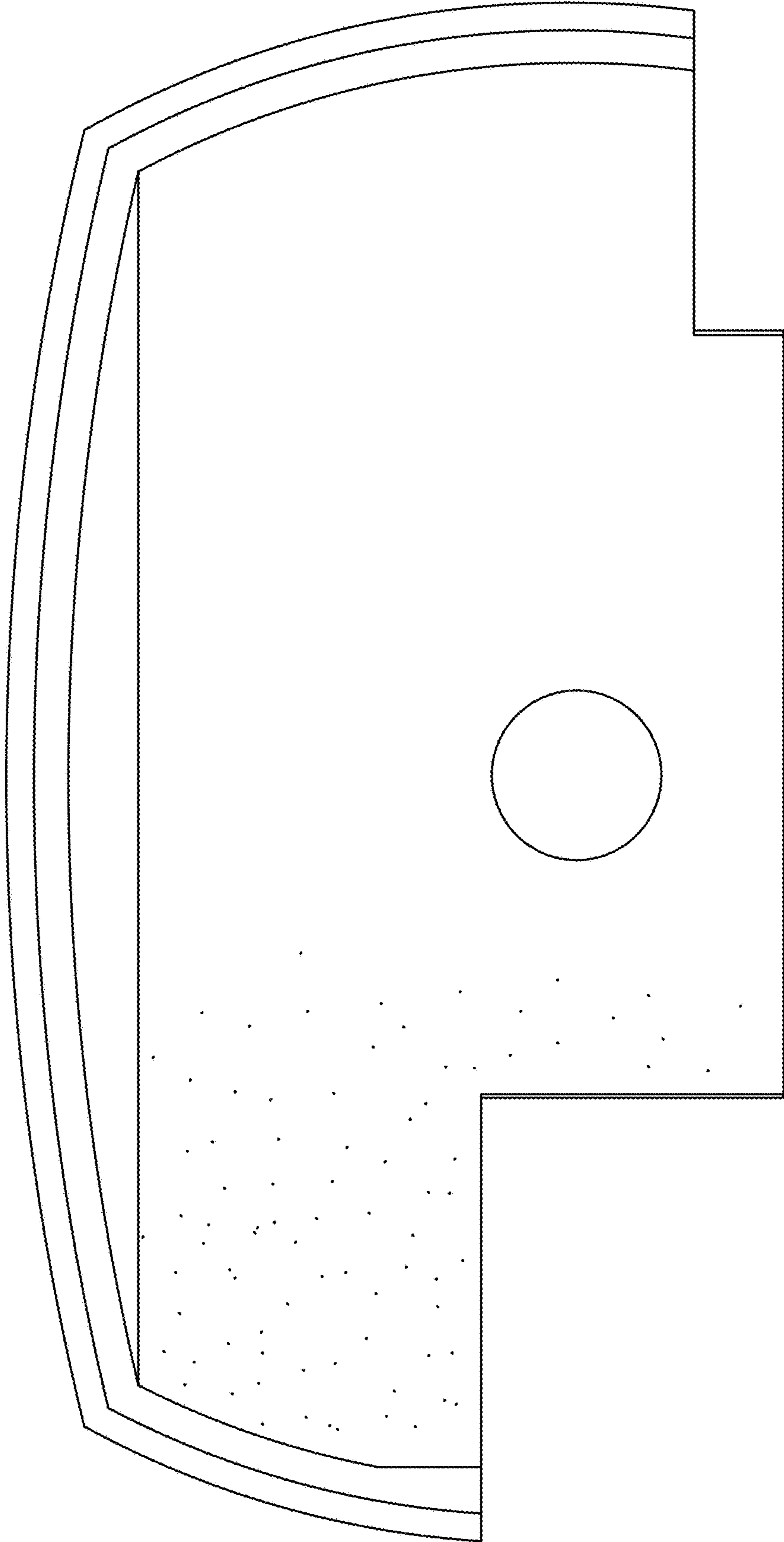


FIG. 2

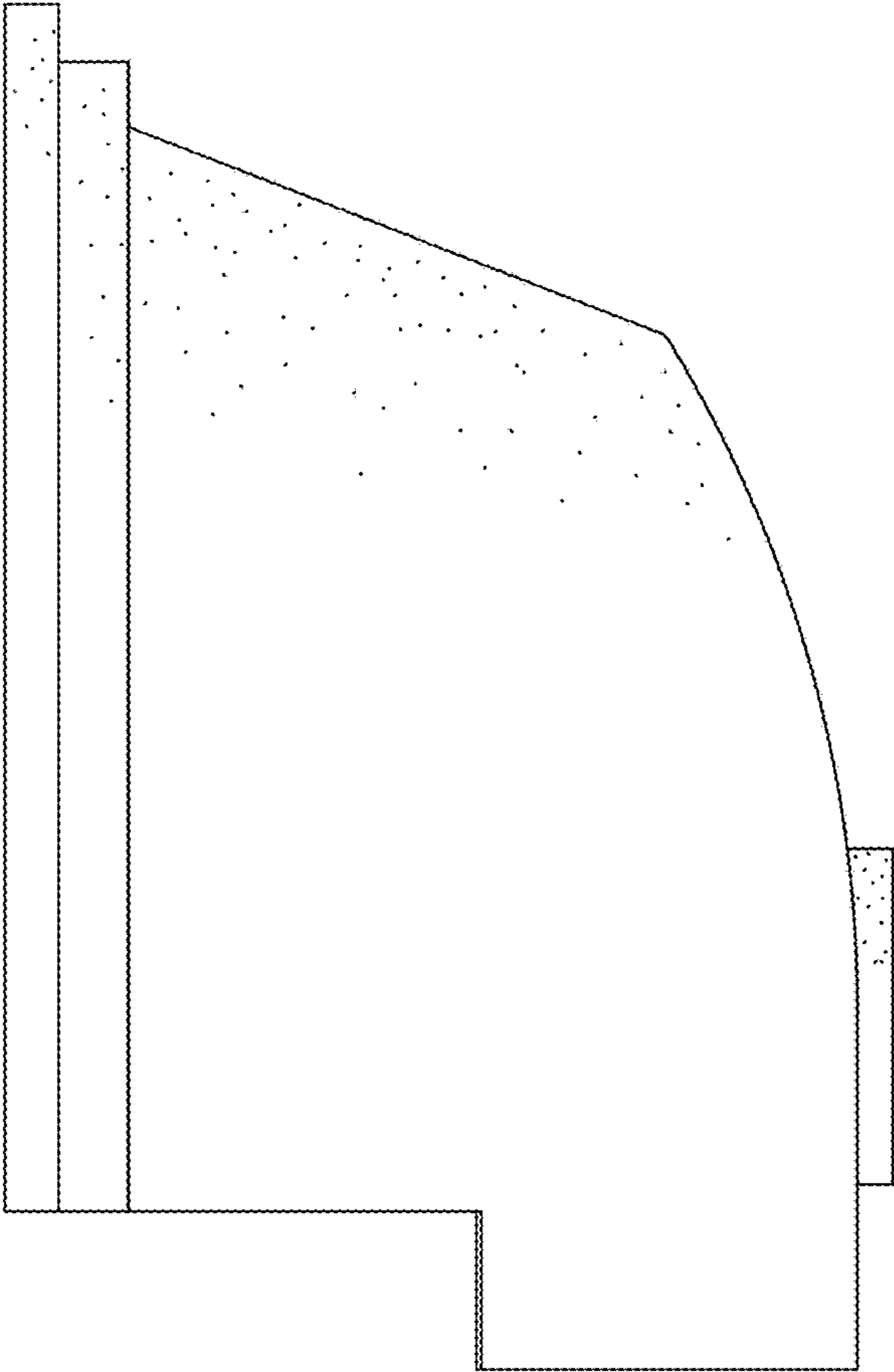


FIG. 3

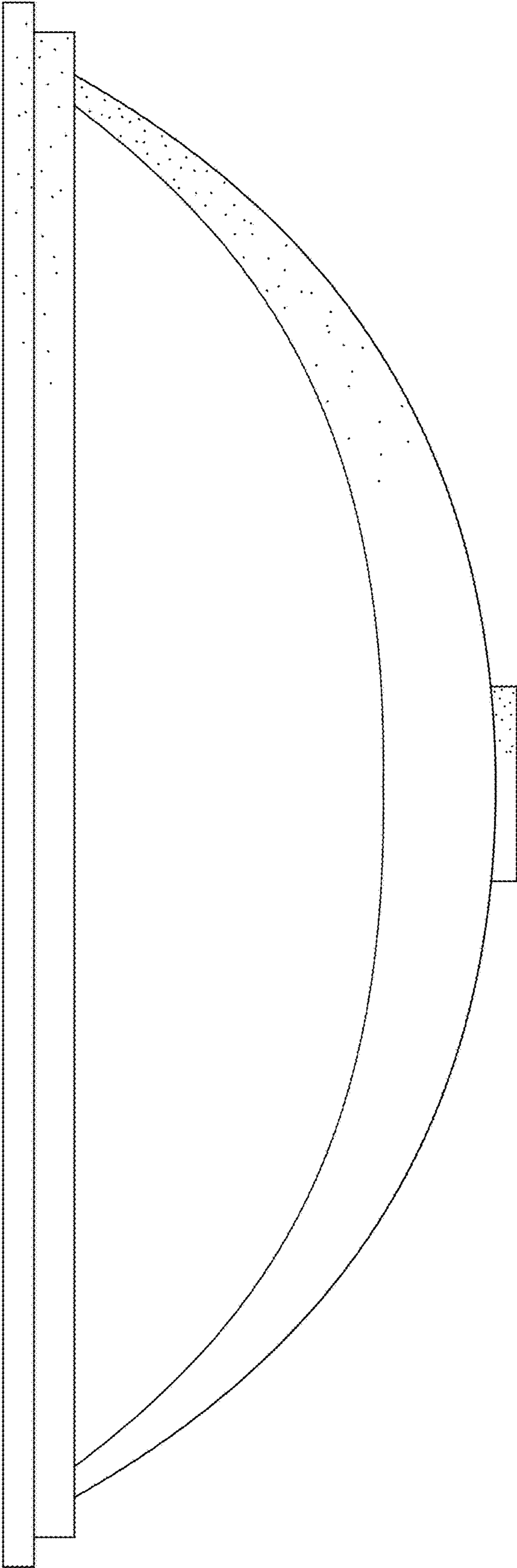


FIG. 4

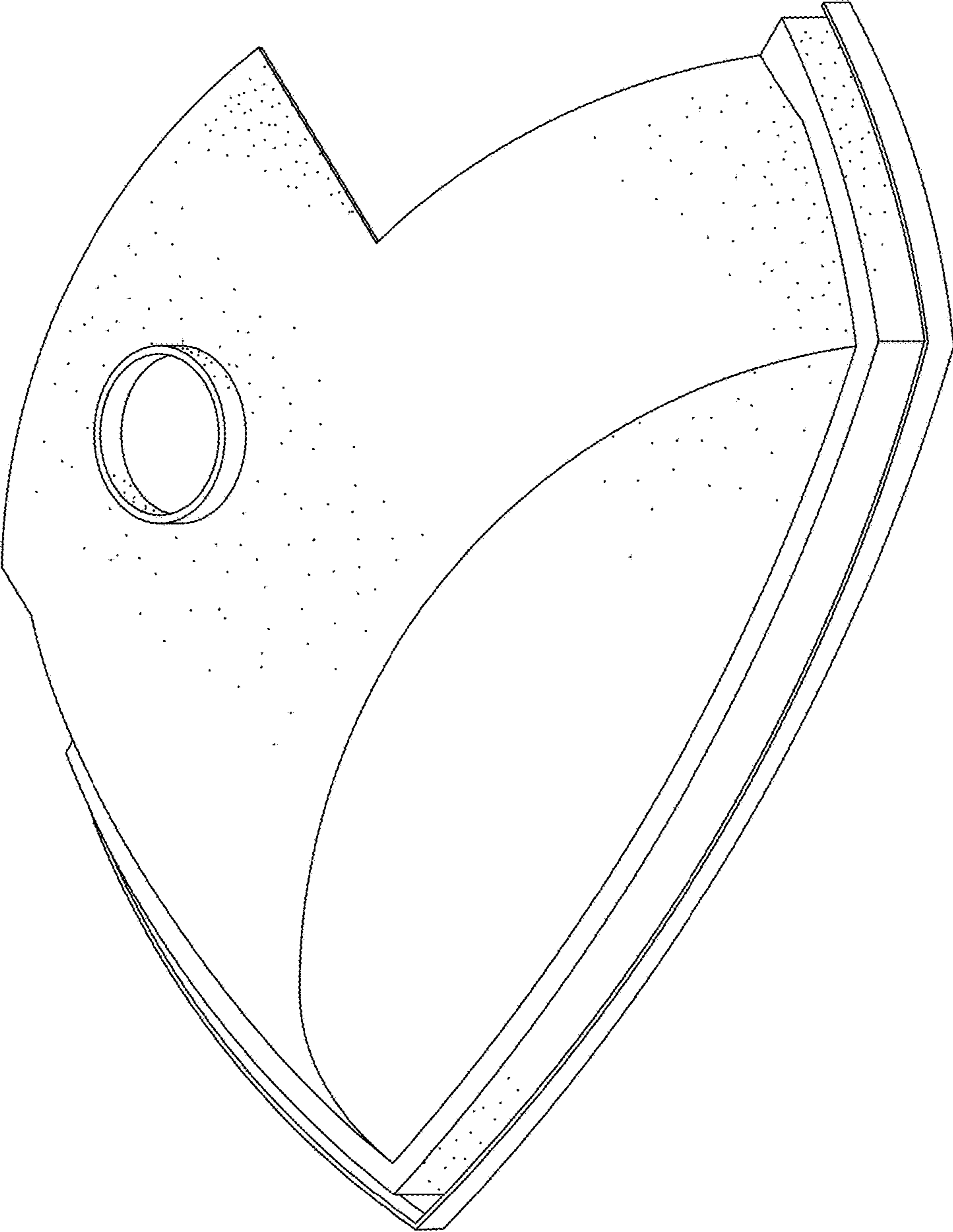


FIG. 5