



US00D802991S

(12) **United States Design Patent**
Dutruel

(10) **Patent No.:** **US D802,991 S**

(45) **Date of Patent:** **** Nov. 21, 2017**

(54) **ACCESSORY FOR ELECTRIC GRILL**

(71) Applicant: **TEFAL**, Rumilly (FR)

(72) Inventor: **Laurent Dutruel**, Dole (FR)

(73) Assignee: **TEFAL**, Rumilly (FR)

(**) Term: **15 Years**

(21) Appl. No.: **29/572,500**

(22) Filed: **Jul. 28, 2016**

(30) **Foreign Application Priority Data**

Jan. 28, 2016 (EM) 002963181-0001

(51) **LOC (10) Cl.** **07-02**

(52) **U.S. Cl.**

USPC **D7/362**; D7/352; D7/363; D7/409

(58) **Field of Classification Search**

USPC D7/323, 328-330, 337, 347, 352-364,
D7/367, 402, 409-411

CPC . A21B 5/023; A47J 27/60; A47J 27/62; A47J

37/04; A47J 37/06; A47J 37/067; A47J

37/0605; A47J 37/0611; A47J 37/0623;

A47J 37/0629; A47J 37/0676; A47J

2037/06; A47J 2037/0611; F24C 15/10;

F24C 15/102; H05B 6/02; H05B 6/062

See application file for complete search history.

(56) **References Cited**

U.S. PATENT DOCUMENTS

D192,671 S * 4/1962 Lerner D7/363

5,884,555 A * 3/1999 Chang A47J 37/067

99/400

D437,183 S * 2/2001 Wong D7/362

D441,250 S * 5/2001 Choi D7/362

D452,630 S * 1/2002 Choi D7/362

6,472,644 B1 * 10/2002 Wu A47J 37/0676

219/450.1

D484,737 S * 1/2004 Bodum D7/337

D503,067 S * 3/2005 Lubowicki D7/362

7,523,697 B2 * 4/2009 Hedrington A47J 37/0676

219/452.11

D644,059 S * 8/2011 Bodum D7/362

D702,500 S * 4/2014 Ishii D7/409

D717,597 S * 11/2014 Henry D7/363

D758,785 S * 6/2016 Verbrugge D7/352

* cited by examiner

Primary Examiner — Ricky Pham

(74) *Attorney, Agent, or Firm* — Loeb & Loeb LLP

(57)

CLAIM

The ornamental design for an accessory for electric grill, as shown and described.

DESCRIPTION

FIG. 1 is a perspective view of an embodiment of an accessory for electric grill showing my new design;

FIG. 2 is a front elevational view thereof;

FIG. 3 is a rear elevational view thereof;

FIG. 4 is a right side elevational view thereof;

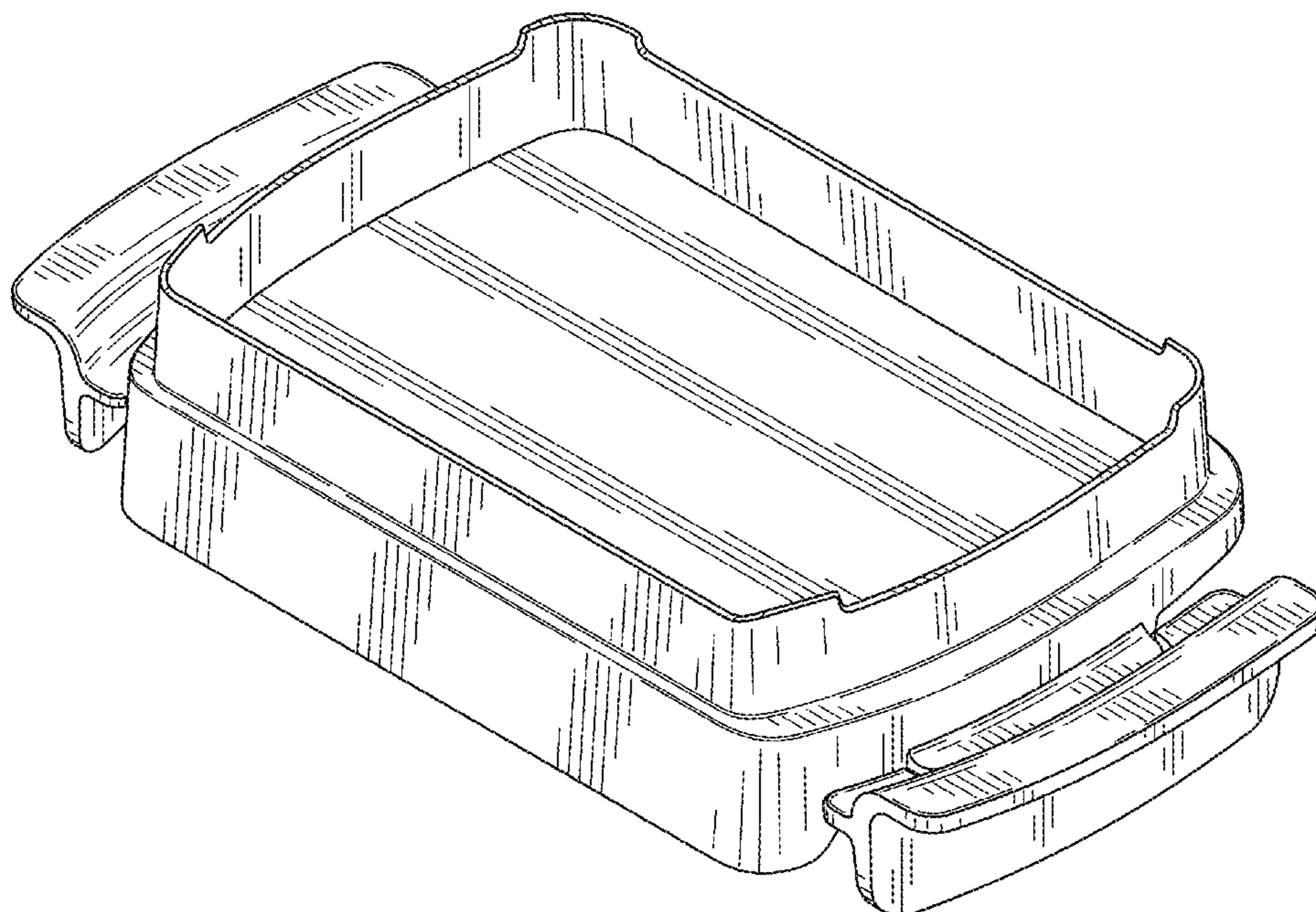
FIG. 5 is a left side elevational view thereof;

FIG. 6 is a top view thereof; and,

FIG. 7 is a bottom view thereof.

The broken lines shown in the figure drawings are for the purpose of illustration and form no part of the claimed design.

1 Claim, 7 Drawing Sheets



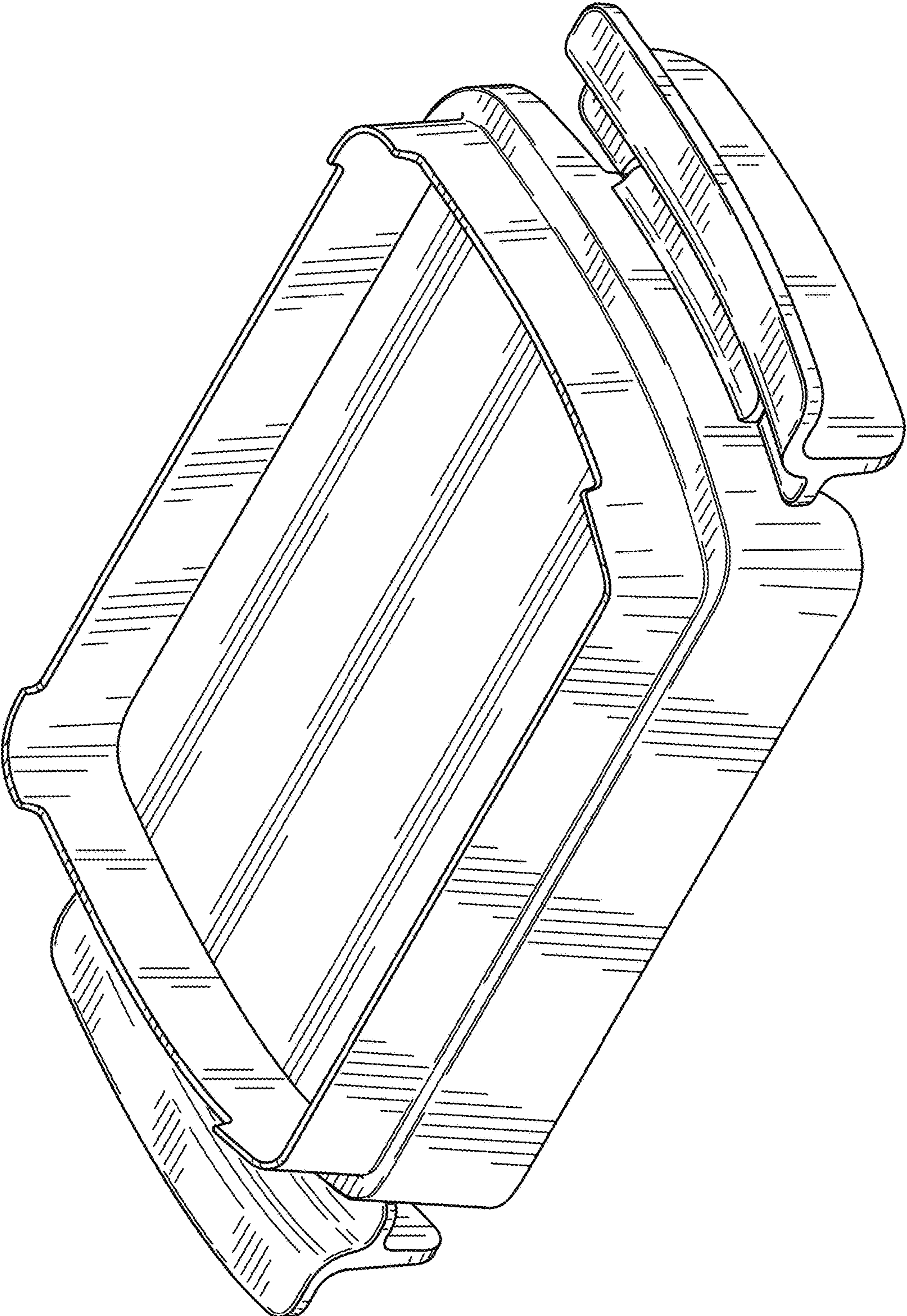


FIG. 1

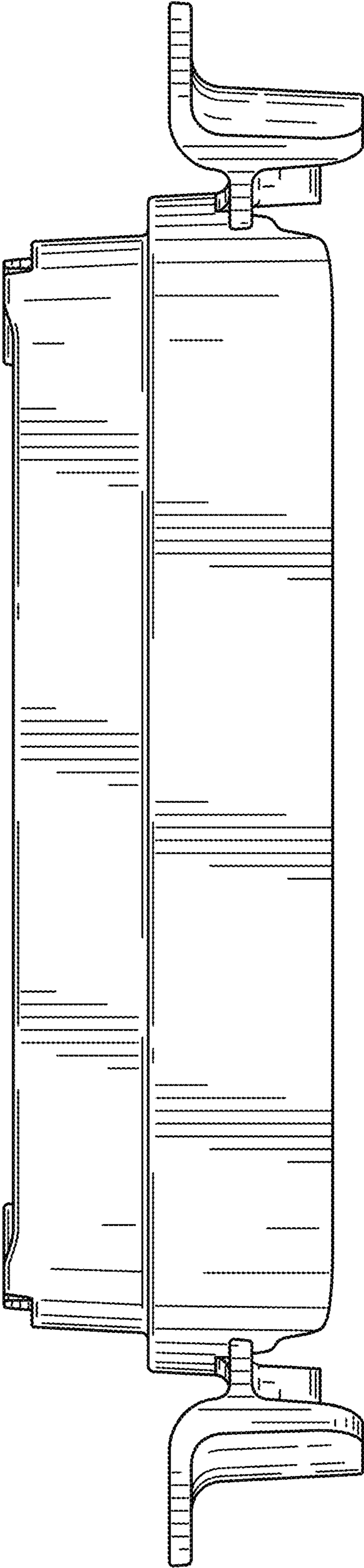


FIG. 2

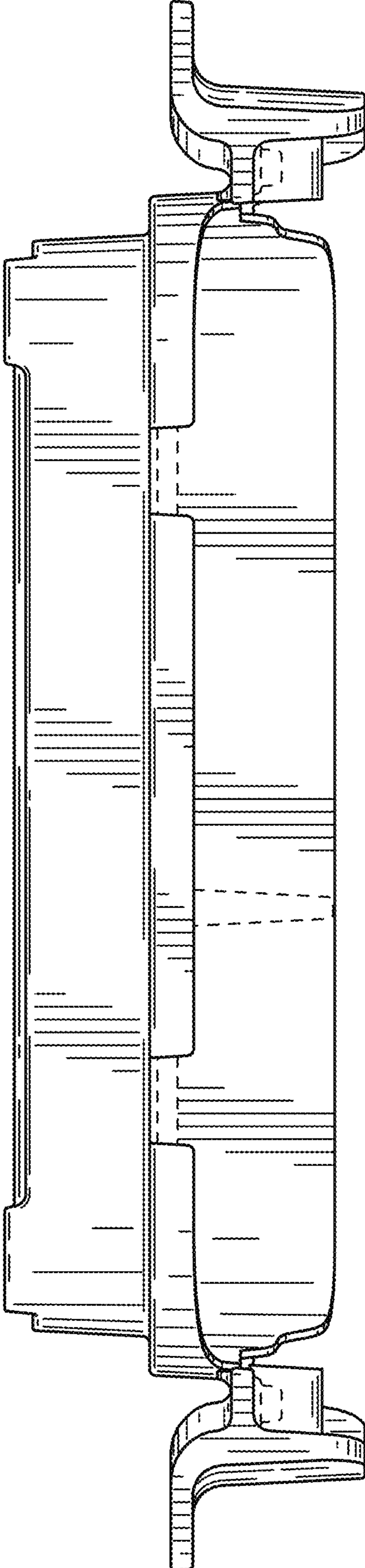


FIG. 3

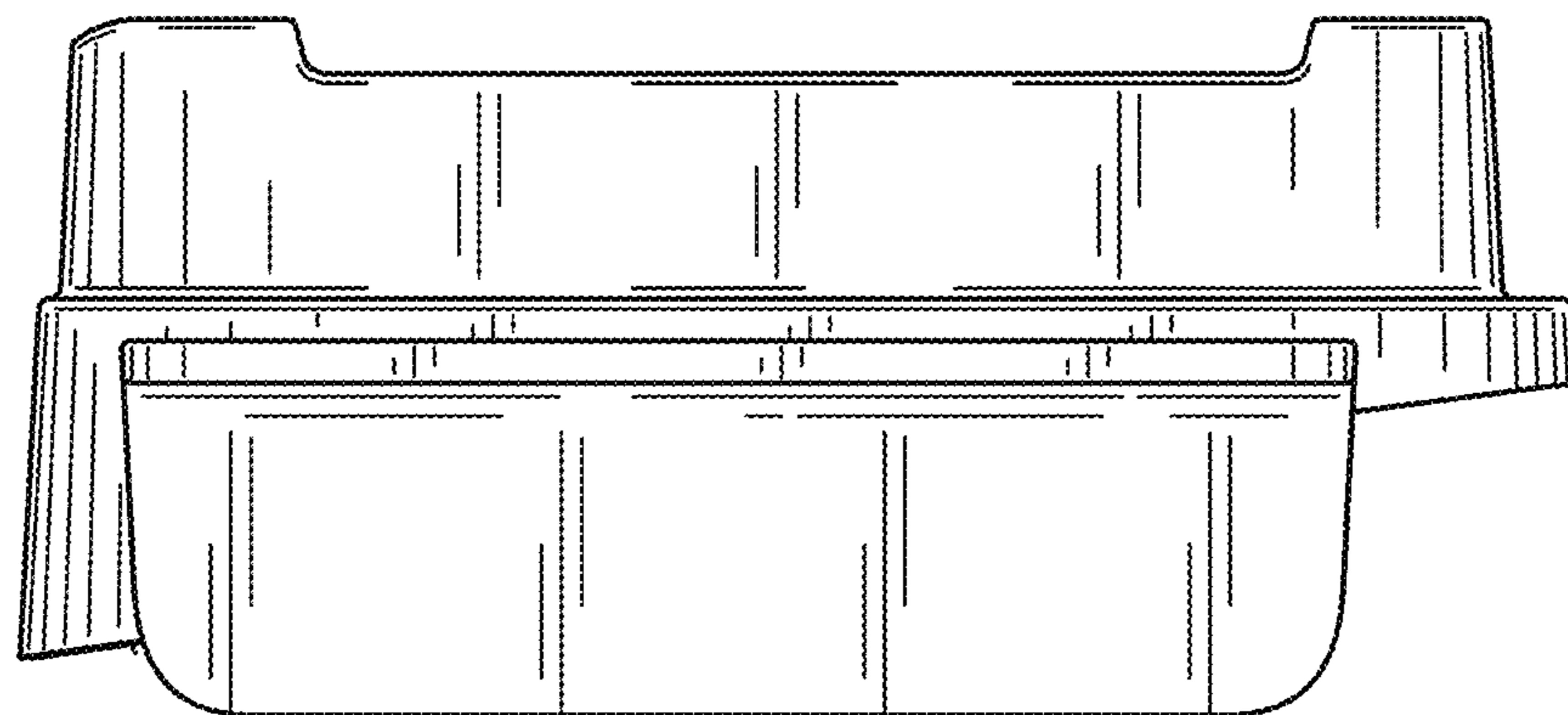


FIG. 4

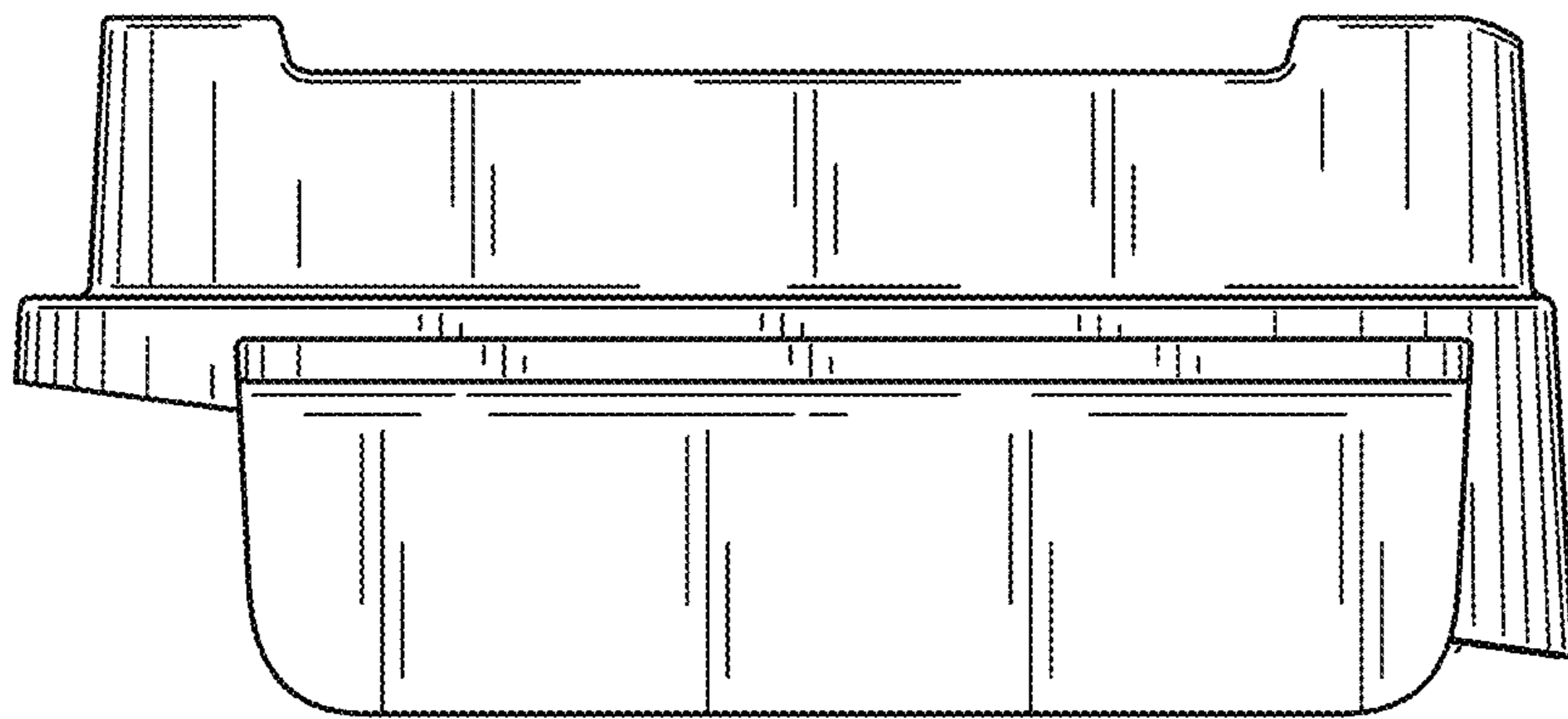


FIG. 5

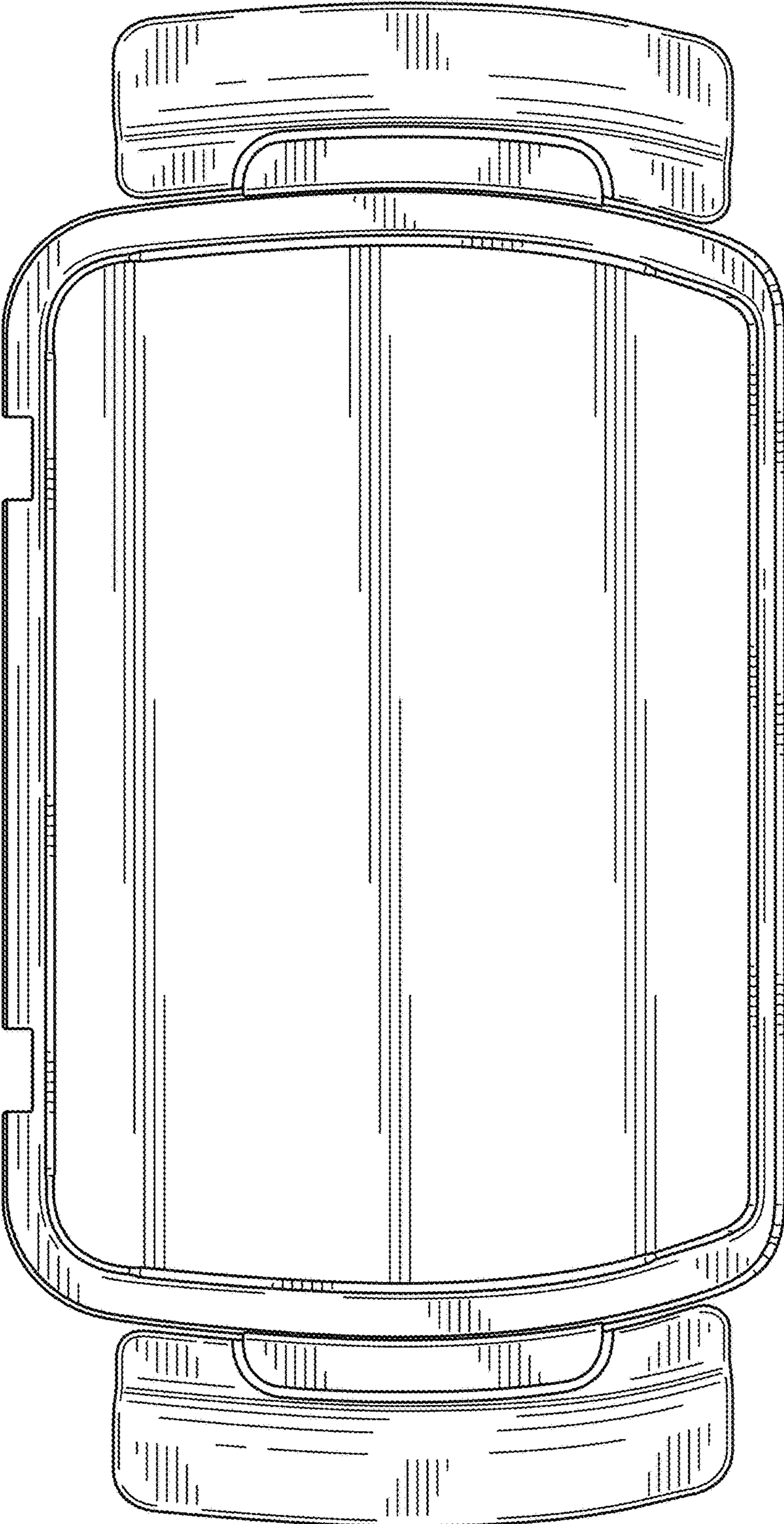


FIG. 6

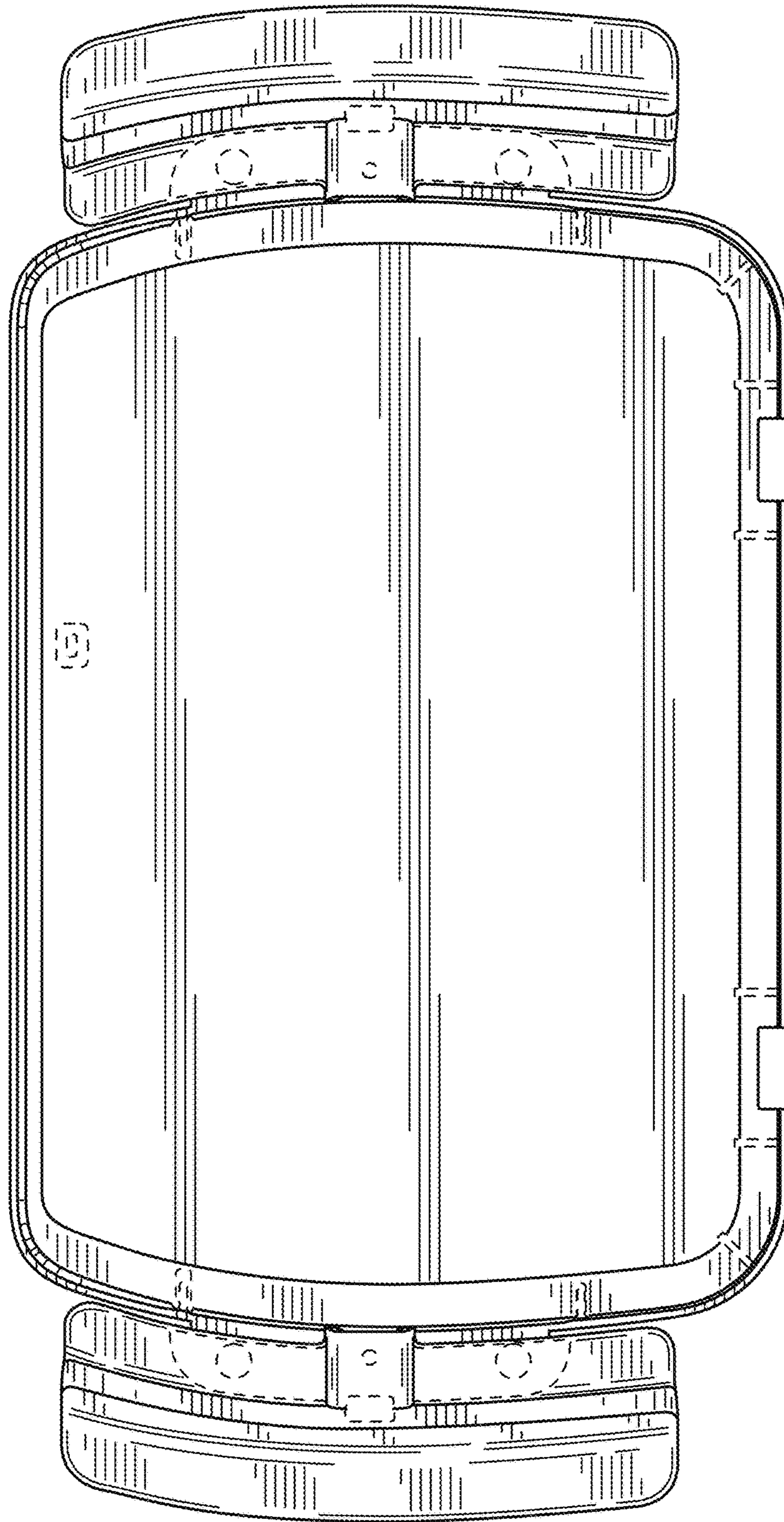


FIG. 7