



US00D802990S

(12) **United States Design Patent** (10) **Patent No.:** **US D802,990 S**
Workman et al. (45) **Date of Patent:** **** Nov. 21, 2017**

(54) **SKILLET** 1,970,723 A * 8/1934 Wolfe A47J 36/02
110/101 A

(71) Applicant: **Barebones Systems, LLC**, Bluffdale, UT (US) 2,788,561 A * 4/1957 Mueller F27D 5/00
215/375

(72) Inventors: **Robert Emmett Workman**, Morgan, UT (US); **David Jared Burton**, Payson, UT (US); **Michelle Ann Merrill**, Draper, UT (US); **Kristin Mecham**, Springville, UT (US); **Henry Howell**, Herriman, UT (US); **Erik Robert Workman**, Salt Lake City, UT (US) D258,189 S * 2/1981 Miller D7/360
5,967,024 A * 10/1999 DeMars A47J 37/108
126/383.1

(73) Assignee: **BAREBONES SYSTEMS, LLC**, Salt Lake City, UT (US) D586,177 S * 2/2009 Loring D7/361
D600,497 S * 9/2009 Ek D7/361
D618,494 S * 6/2010 Welk D7/354
D628,851 S * 12/2010 Bergne D7/354
D656,358 S * 3/2012 Cloutier D7/354
D756,163 S * 5/2016 Gabbay D7/354
D779,871 S * 2/2017 Zemel D7/354

* cited by examiner

(**) Term: **15 Years**

Primary Examiner — Ricky Pham

(21) Appl. No.: **29/570,418**

(74) *Attorney, Agent, or Firm* — Morriss O’Bryant
Compagni Cannon, PLLC

(22) Filed: **Jul. 7, 2016**

(51) **LOC (10) Cl.** **07-02**

(52) **U.S. Cl.**

USPC **D7/361; D7/354**

(58) **Field of Classification Search**

USPC D7/323, 354–363, 391, 393–396, 409

CPC A47G 19/12; A47J 27/00; A47J 27/002;

A47J 27/08; A47J 27/21; A47J 27/58;

A47J 36/025; A47J 36/02; A47J 36/06;

A47J 36/12; A47J 37/00; A47J 37/10;

A47J 37/101; A47J 37/103; A47J 37/108;

A47J 37/12; A47J 37/1204; A47J 45/061;

A47J 45/071; A47J 45/08; H05B 6/12

See application file for complete search history.

(56) **References Cited**

U.S. PATENT DOCUMENTS

216,346 A * 6/1879 Read A47J 45/061

220/771

D85,804 S * 12/1931 Axford D7/359

(57) **CLAIM**

The ornamental design for a skillet, as shown and described.

DESCRIPTION

FIG. 1 is a perspective front side view of a skillet of the present invention;

FIG. 2 is a top side view of the skillet;

FIG. 3 is a bottom side view of the skillet;

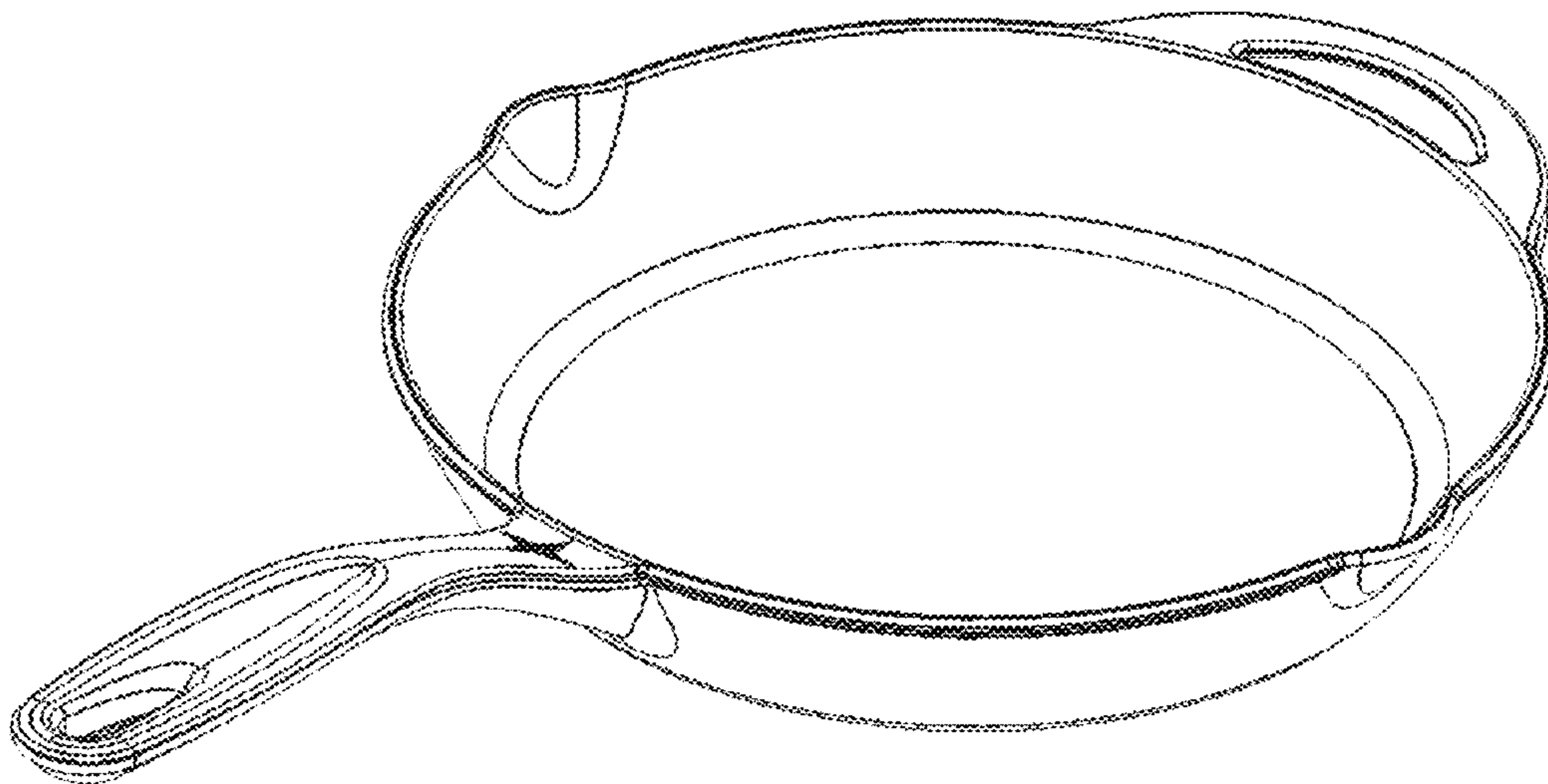
FIG. 4 is a right side view of the skillet;

FIG. 5 is a left side view of the skillet;

FIG. 6 is a front side view of the skillet; and,

FIG. 7 is a back side view of the skillet.

1 Claim, 7 Drawing Sheets



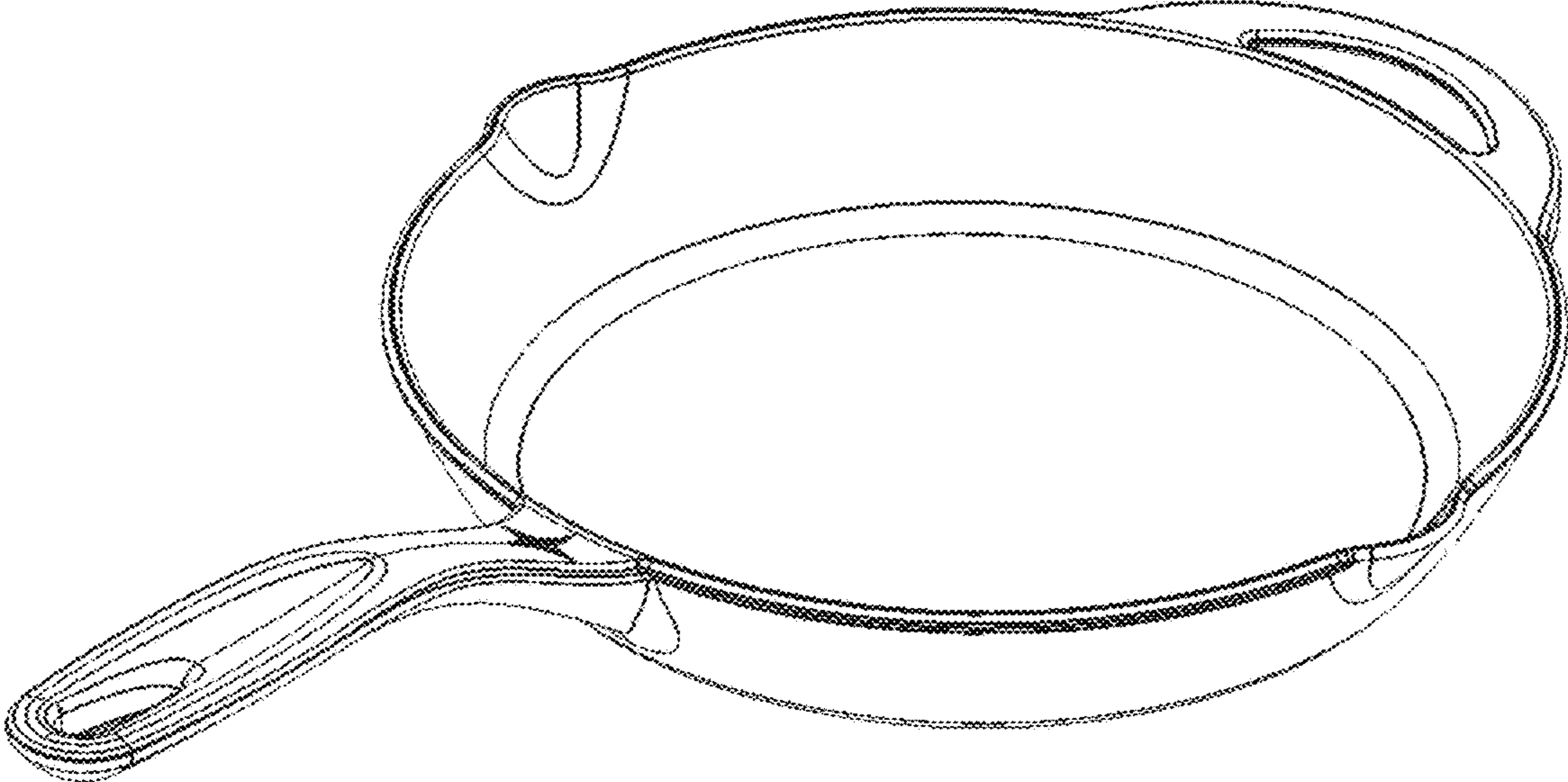


FIG. 1

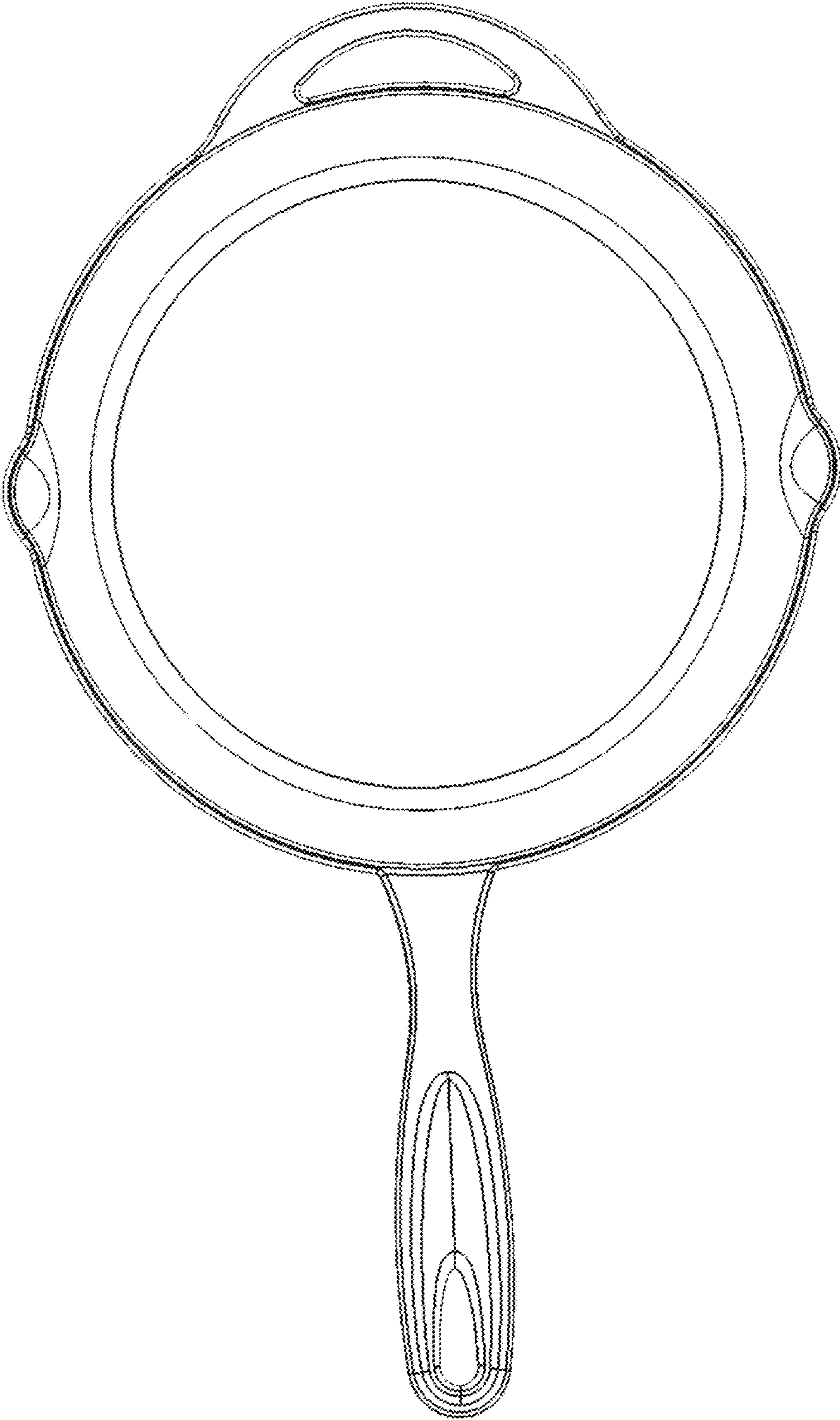


FIG. 2

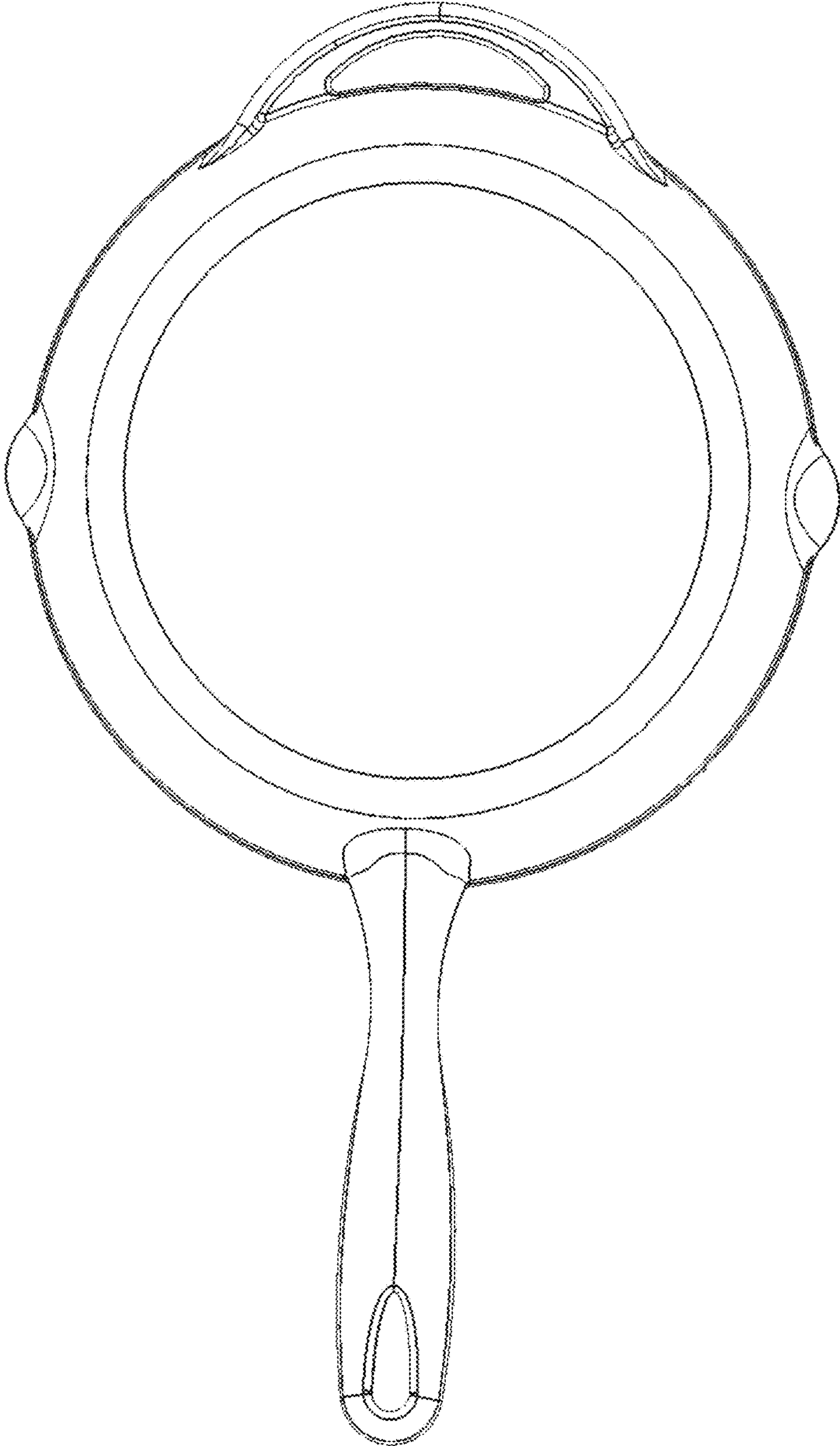


FIG. 3

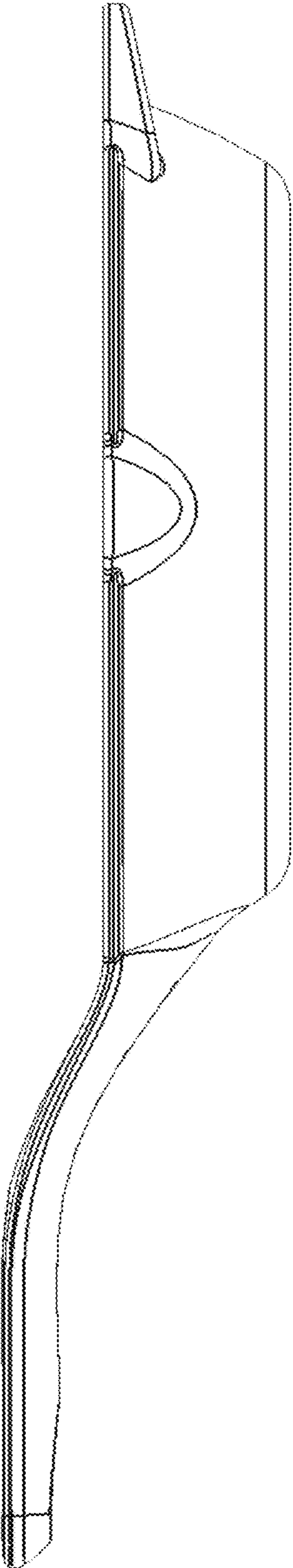


FIG. 4

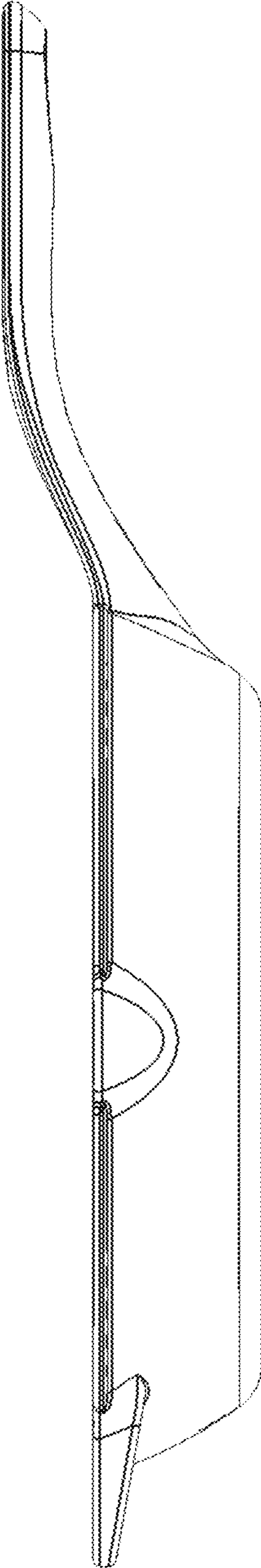


FIG. 5

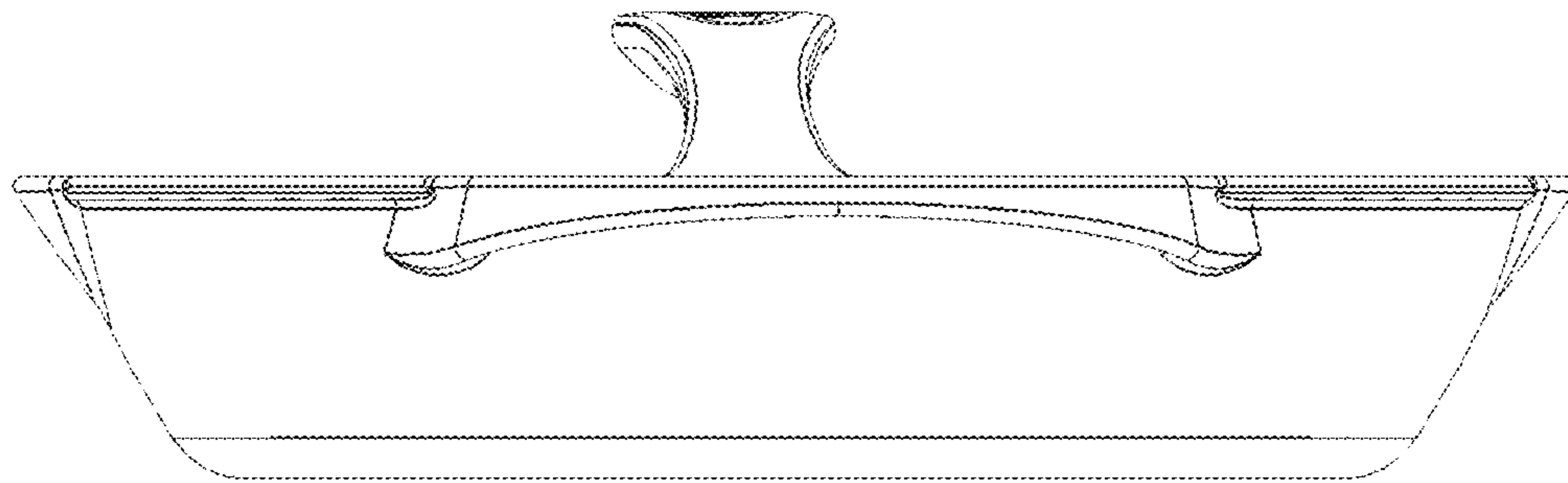


FIG. 6

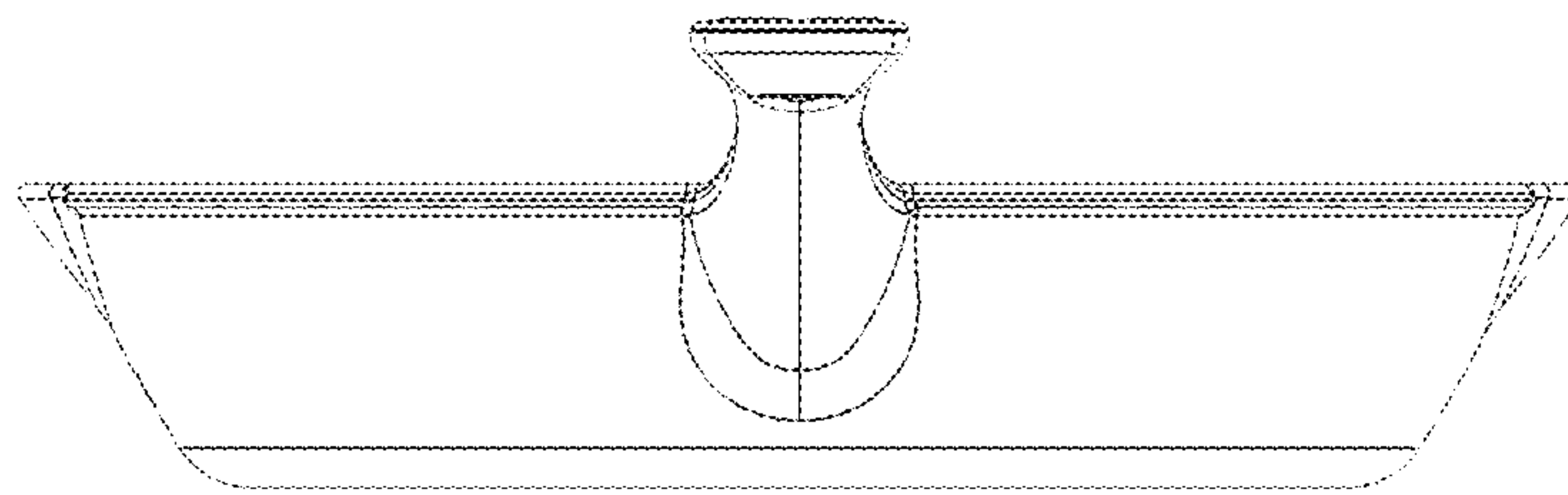


FIG. 7