



US00D802989S

(12) **United States Design Patent**  
**Roland et al.**

(10) **Patent No.:** **US D802,989 S**

(45) **Date of Patent:** **\*\* Nov. 21, 2017**

(54) **SLOW COOKER**

(71) Applicant: **Spectrum Brands, Inc.**, Middleton, WI (US)

(72) Inventors: **Gregory D. Roland**, Verona, WI (US);  
**Jacob Daniel Smith**, Middleton, WI (US); **Francisco Javier Barquin**,  
Madison, WI (US)

(73) Assignee: **Spectrum Brands, Inc.**, Middleton, WI (US)

(\*\*) Term: **15 Years**

(21) Appl. No.: **29/557,007**

(22) Filed: **Mar. 4, 2016**

(51) **LOC (10) Cl.** ..... **07-02**

(52) **U.S. Cl.**  
USPC ..... **D7/360**

(58) **Field of Classification Search**  
USPC ..... D7/323, 337, 339-341, 352, 354-358,  
D7/360, 362-367, 393, 402-403,  
D7/407-411, 601, 605; D3/276  
CPC ..... A21B 1/06; A21B 1/50; A21B 1/52; A47J  
37/04; A47J 37/06; A47J 37/015; A47J  
37/067; A47J 37/0611; A47J 37/0629;  
A47J 37/0676; A47J 37/108; F24C 7/06;  
F24C 7/083; F24C 15/02; F24C 15/66;  
H05B 3/20; H05B 3/40  
See application file for complete search history.

(56) **References Cited**

**U.S. PATENT DOCUMENTS**

D329,570 S \* 9/1992 Gerlach ..... D7/354  
D420,246 S \* 2/2000 Alonge ..... D7/360  
D425,360 S \* 5/2000 Dobson ..... D7/360  
D433,869 S \* 11/2000 Wong ..... D7/360  
D434,940 S \* 12/2000 Hlava ..... D7/354  
D556,504 S \* 12/2007 Averty ..... D7/360  
D568,676 S \* 5/2008 Steiner ..... D7/354

D635,818 S \* 4/2011 Tse ..... D7/354  
D641,202 S \* 7/2011 Bock ..... D7/354  
D682,009 S \* 5/2013 Day ..... D7/354  
D701,416 S \* 3/2014 Day ..... D7/354  
D730,107 S \* 5/2015 MacInnis ..... D7/354

**OTHER PUBLICATIONS**

7-Quart Digital Slow Cooker, posted at Blackanddeckerappliances.com, posted on © 2015, site visited Feb. 24, 2017, <<http://www.blackanddeckerappliances.com/products/cooking-appliances/slow-cookers/SCD1007-7-quart-digital-slow-cooker-stainless-steel.aspx>>.\*

Black+Decker SCD1007 7 Quart Programmable Slow Cooker with Digital Timer, Portable with Locking Lid, Stainless Steel, posted at Amazon.com, posted on Dec. 2, 2016, site visited Feb. 24, 2017, <<https://www.amazon.com/BLACK-DECKER-SCD1007-Programmable-Stainless/dp/B01M1A1TCV>>.\*

\* cited by examiner

*Primary Examiner* — Barbara Fox  
*Assistant Examiner* — Messina L Smith

(74) *Attorney, Agent, or Firm* — Banner & Witcoff, Ltd.

(57) **CLAIM**

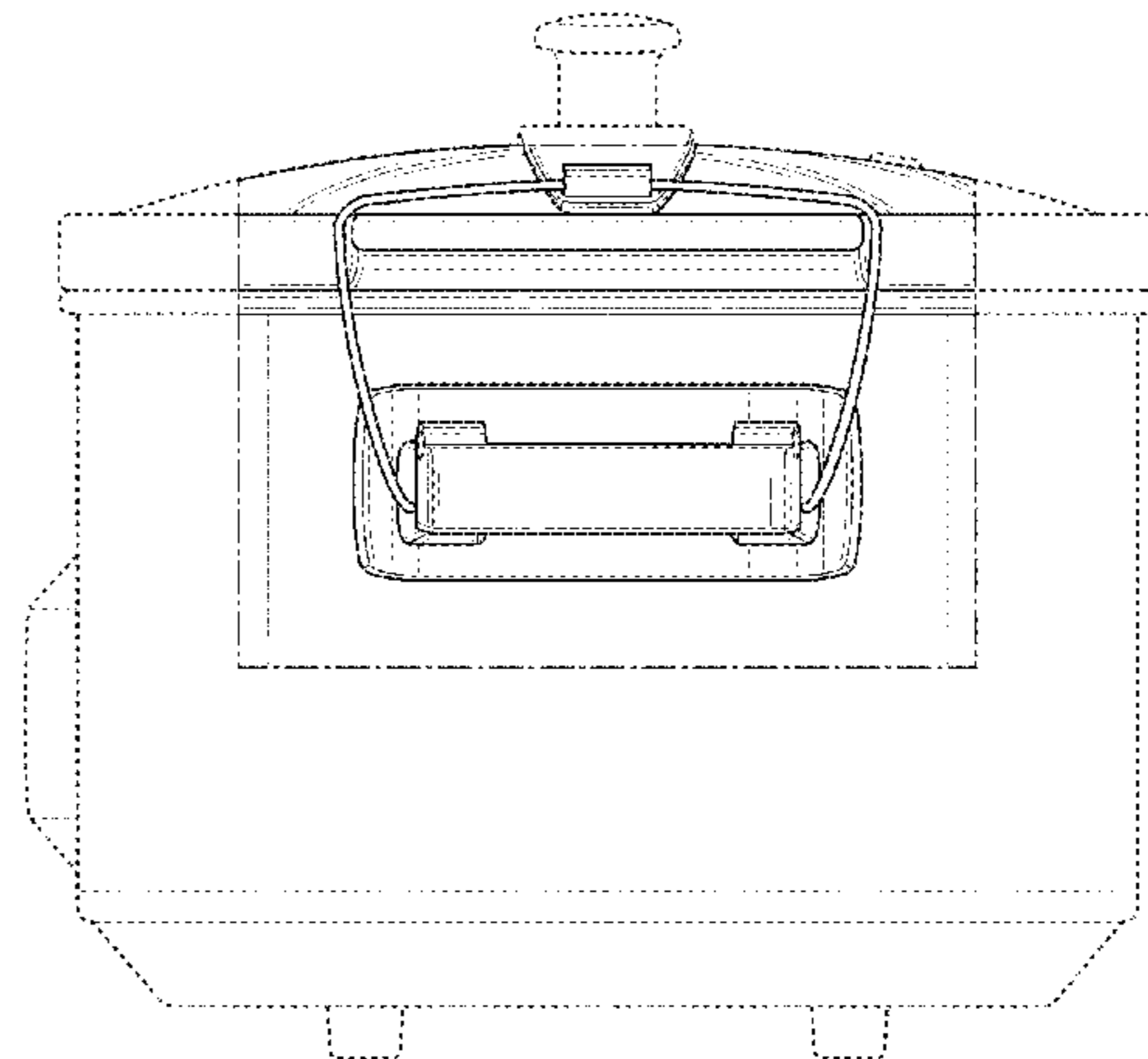
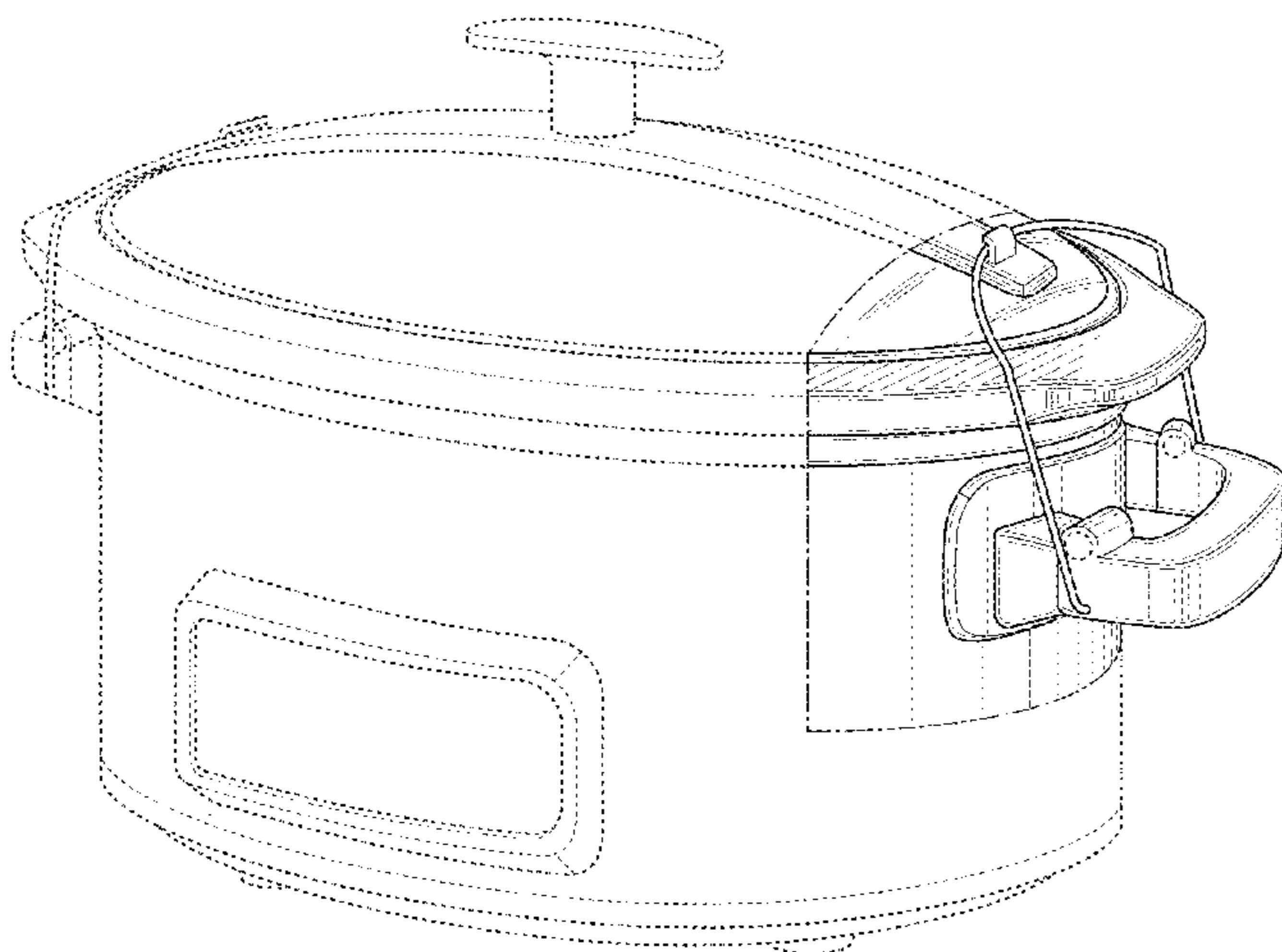
The ornamental design for a slow cooker, as shown and described.

**DESCRIPTION**

FIG. 1 is a front perspective view of a slow cooker showing our new design;  
FIG. 2 is a front view thereof;  
FIG. 3 is a rear view thereof;  
FIG. 4 is a right side view thereof;  
FIG. 5 is a top view thereof; and,  
FIG. 6 is a bottom view thereof.

The dash-dot broken lines shown in the drawings illustrate the bounds of the claim. The dashed broken lines shown in the drawings illustrate portions of the slow cooker. The broken lines form no part of the claimed design.

**1 Claim, 6 Drawing Sheets**



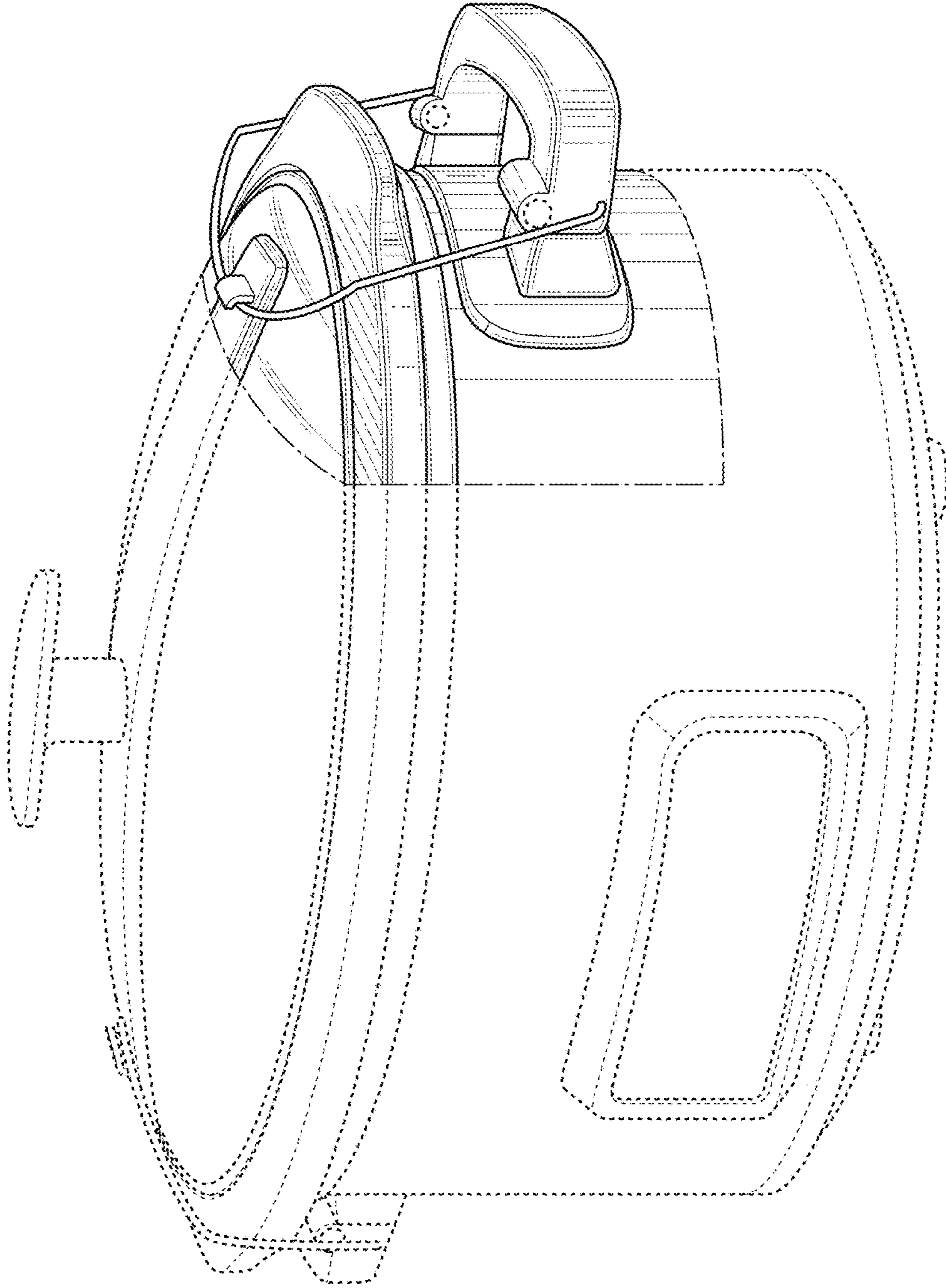


FIG. 1

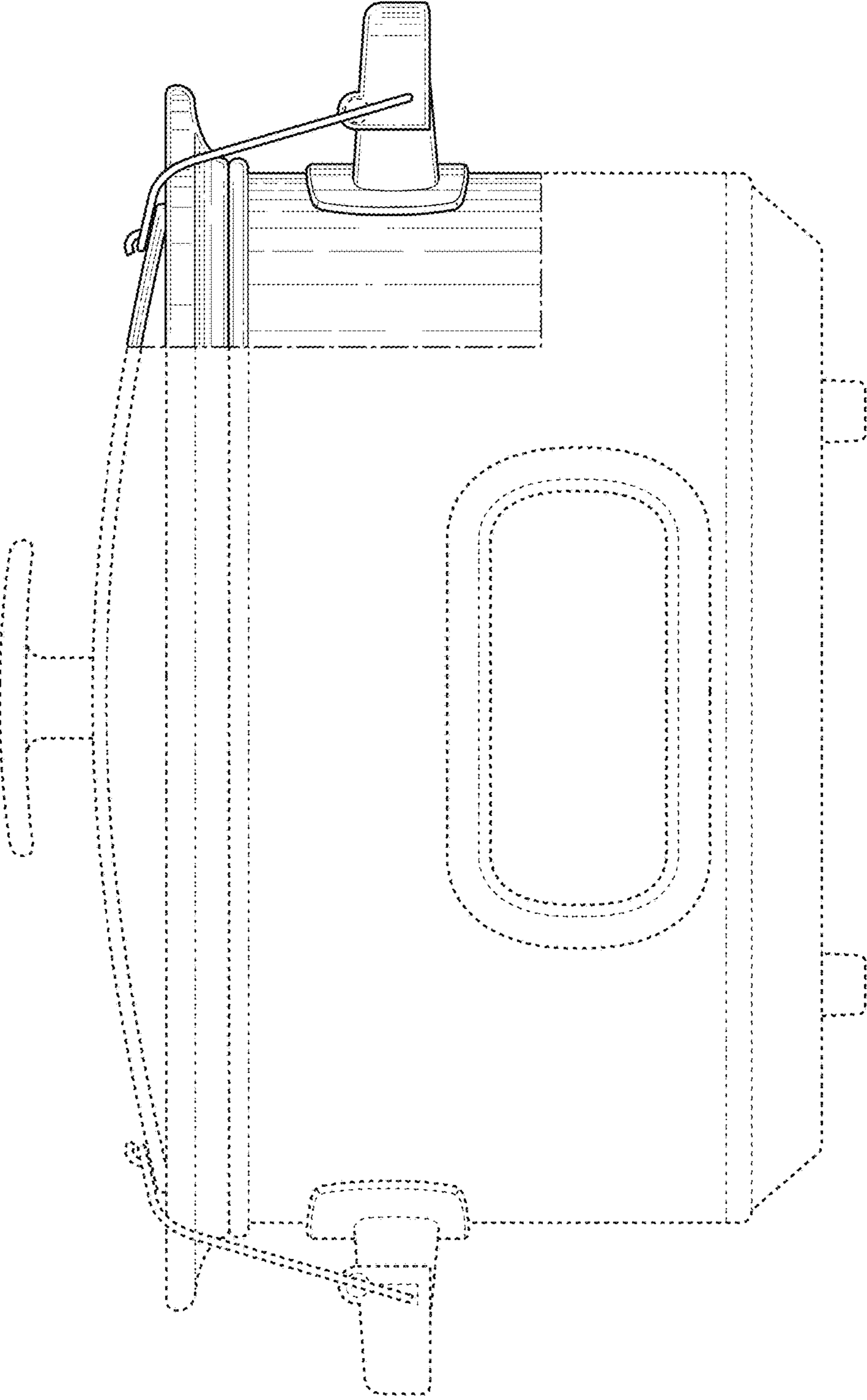


FIG. 2

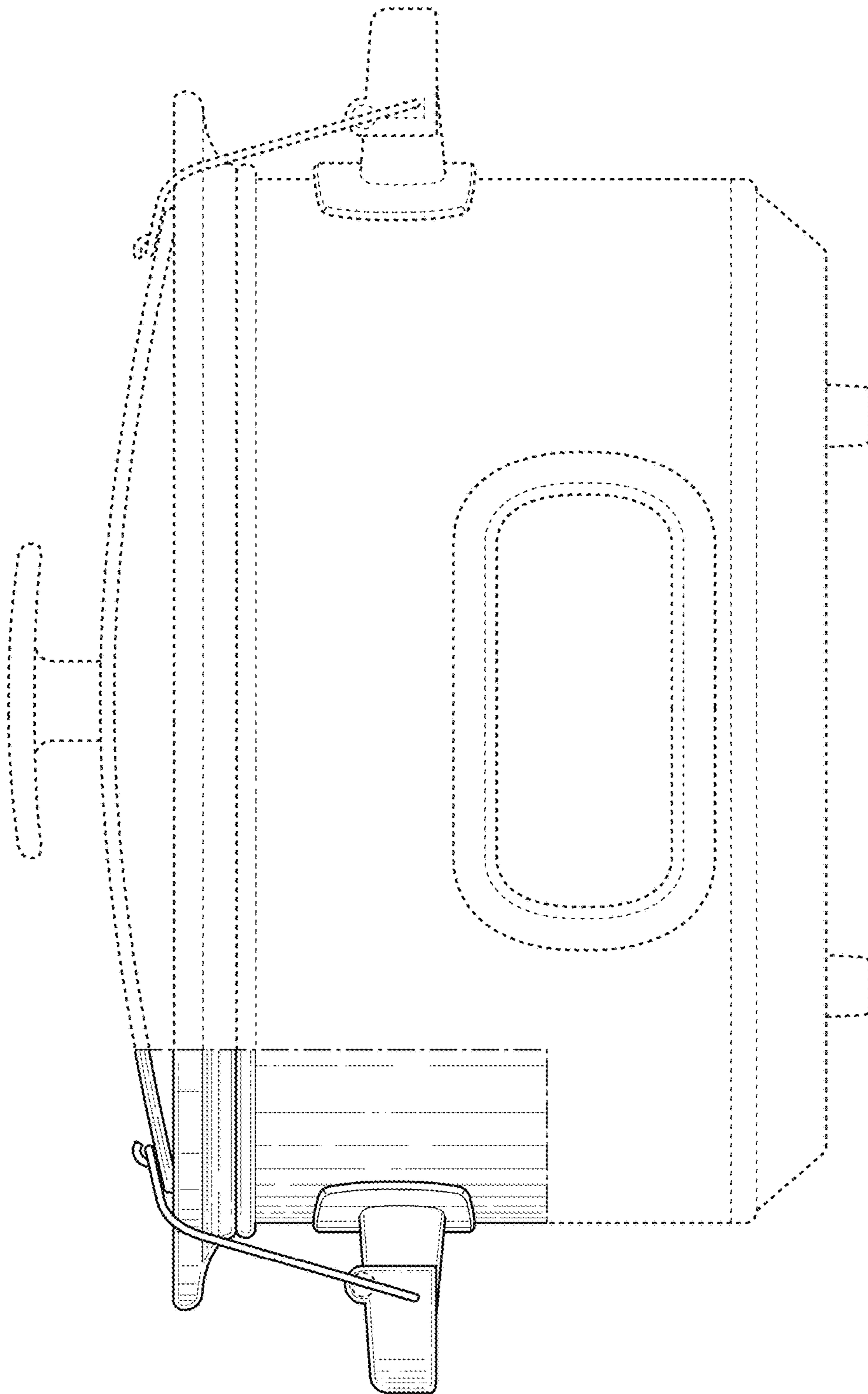


FIG. 3

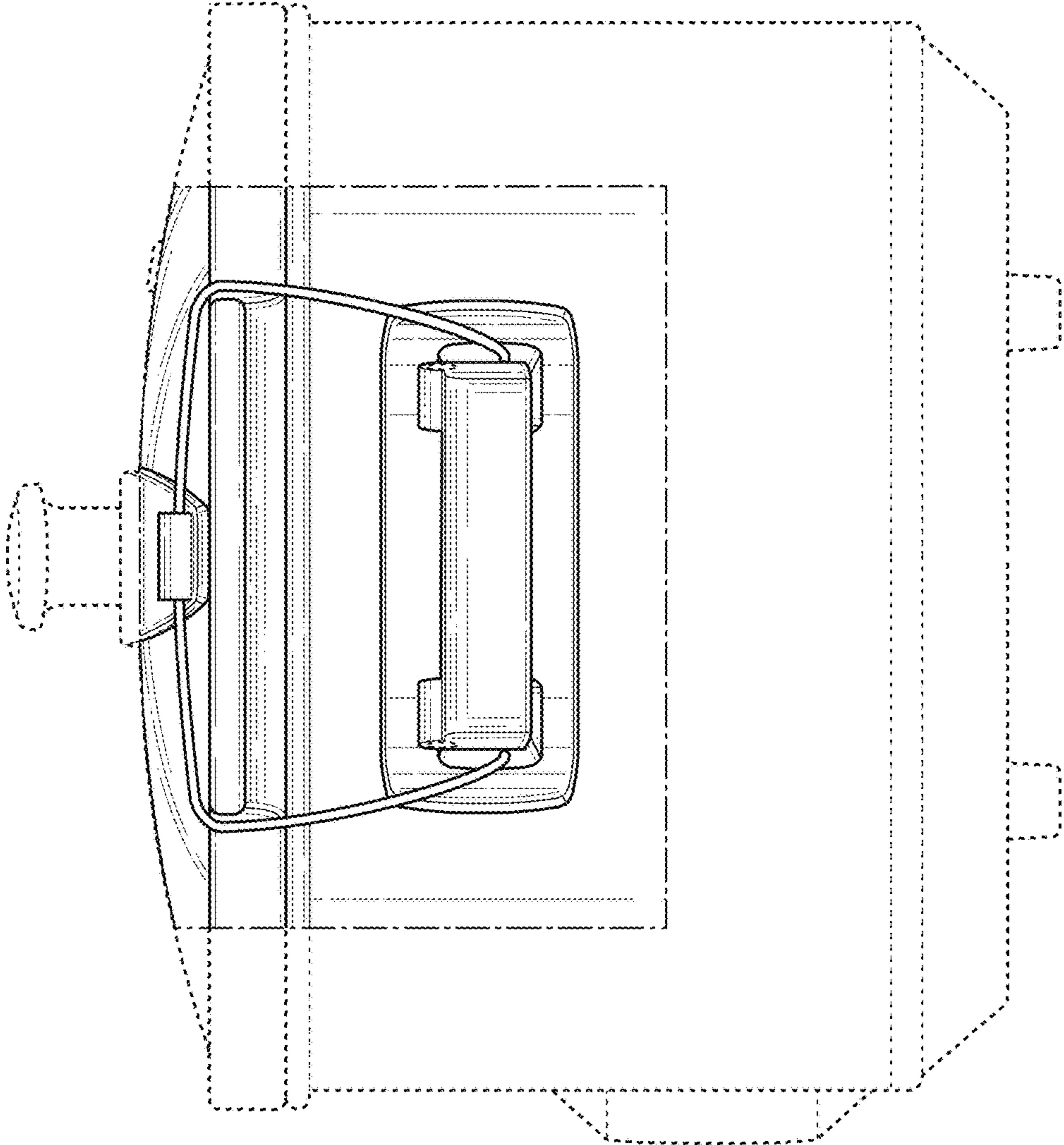


FIG. 4

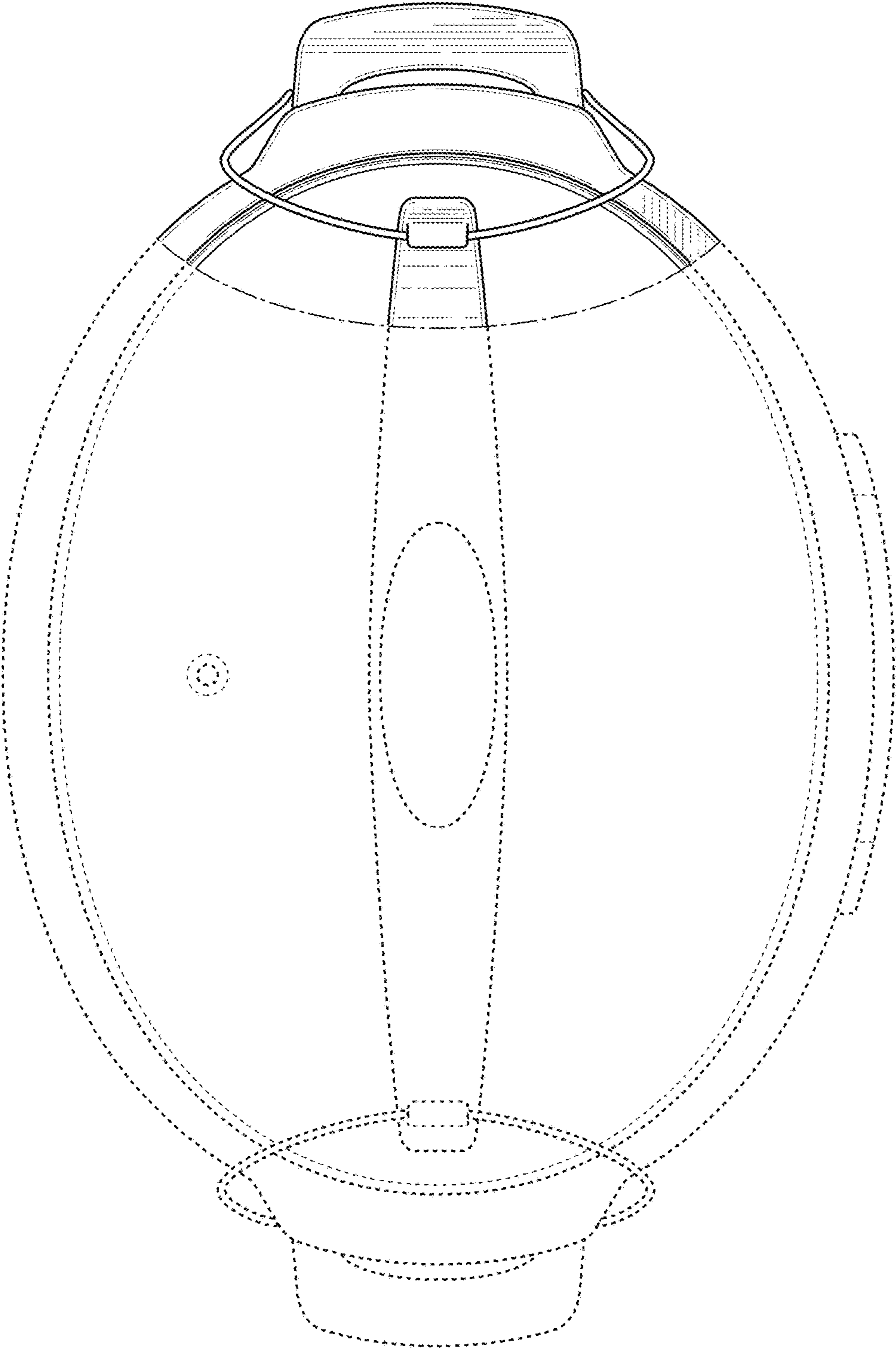


FIG. 5

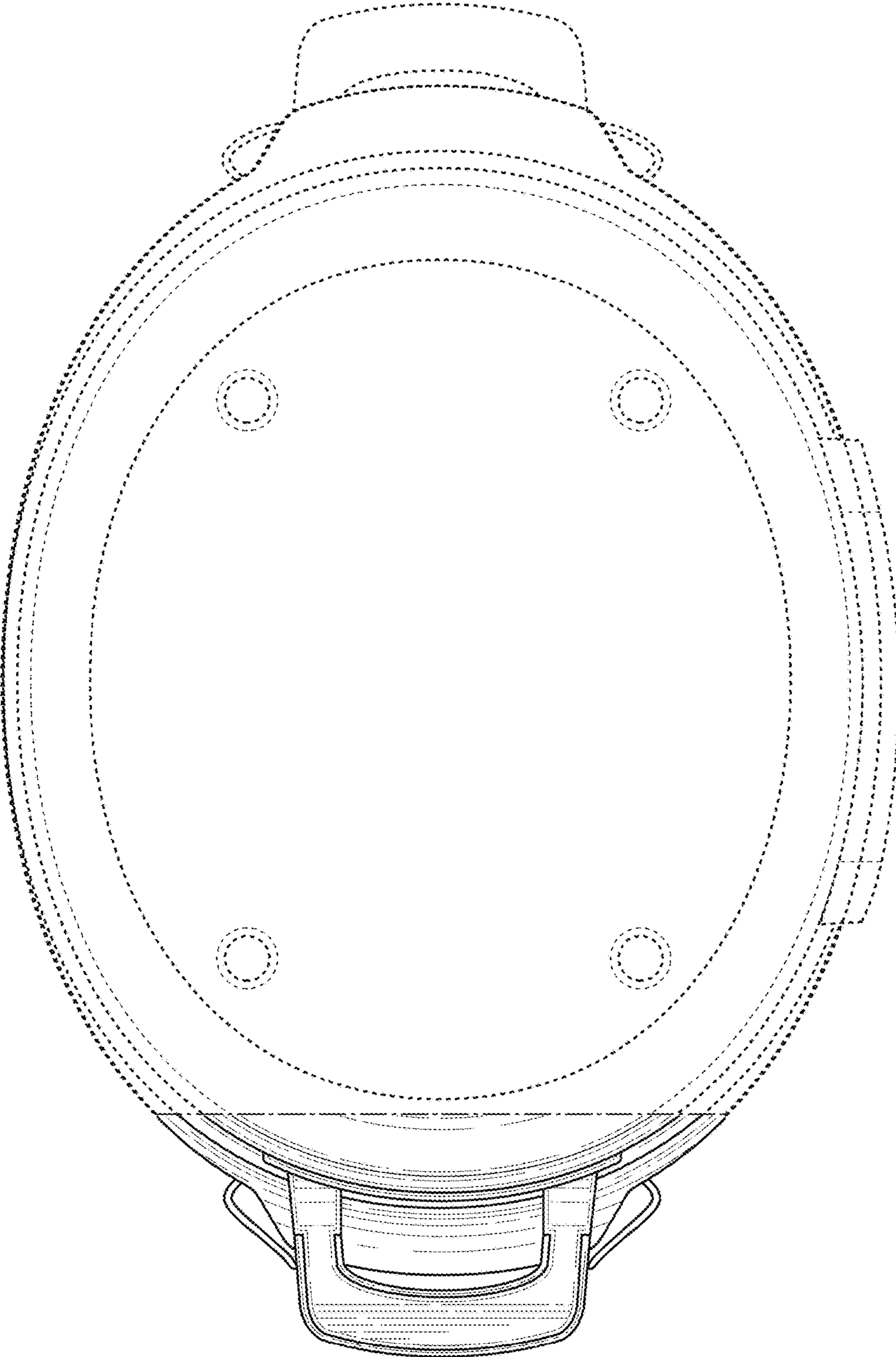


FIG. 6