



US00D802987S

(12) **United States Design Patent** (10) **Patent No.:** **US D802,987 S**
Corlay (45) **Date of Patent:** **** Nov. 21, 2017**

(54) **ELECTRIC PRESSURE COOKER**

(71) Applicant: **SEB, Selongey (FR)**
(72) Inventor: **Florent Corlay, Dijon (FR)**

(73) Assignee: **SEB, Selongey (FR)**

(**) Term: **15 Years**

(21) Appl. No.: **29/577,105**

(22) Filed: **Sep. 9, 2016**

(30) **Foreign Application Priority Data**

Mar. 15, 2016 (EM) 003029974-0001

(51) **LOC (10) Cl.** **07-02**

(52) **U.S. Cl.**
USPC **D7/358; D7/354**

(58) **Field of Classification Search**
USPC D7/323, 354-361, 368, 391, 393
CPC A47J 27/00; A47J 27/004; A47J 27/08;
A47J 27/0802; A47J 27/0804; A47J
27/0811; A47J 27/0813; A47J 27/0815;
A47J 27/0817; A47J 27/084; A47J 27/09;
A47J 27/092; A47J 27/62; A47J 36/025;
A47J 36/06; A47J 37/12; A47J 37/1204;
A47J 37/1209; A47J 45/07; A47J 45/071;
A47J 45/074; A47J 45/08; B01D
2201/345; B01J 3/03; B01J 3/04; F01P
2011/0247; F01P 2011/0252; H05B 6/00;
H05B 6/02; H05B 6/06
See application file for complete search history.

(56) **References Cited**

U.S. PATENT DOCUMENTS

2,600,703 A 6/1952 Strom
2,660,330 A 11/1953 Keller
D201,416 S 6/1965 Sazegar
D201,937 S 8/1965 Johnson

D219,693 S 1/1971 Hahn
D369,270 S 4/1996 Payen
D380,504 S 7/1997 Yang
D382,767 S 8/1997 Lien
D416,434 S * 11/1999 Pollnow D7/360
D444,663 S 7/2001 Samaras
D533,393 S 12/2006 Sidet et al.
D549,517 S * 8/2007 Moran D7/358
7,291,812 B2 * 11/2007 Kaney A47J 27/62
219/432
D556,504 S * 12/2007 Averty D7/360
D560,424 S 1/2008 McLemore
D568,092 S 5/2008 Boes et al.
D568,676 S * 5/2008 Steiner D7/354

(Continued)

FOREIGN PATENT DOCUMENTS

BR 8601076 A 10/1987
CH 571335 A5 1/1976

(Continued)

Primary Examiner — Ricky Pham
(74) *Attorney, Agent, or Firm* — Loeb & Loeb LLP

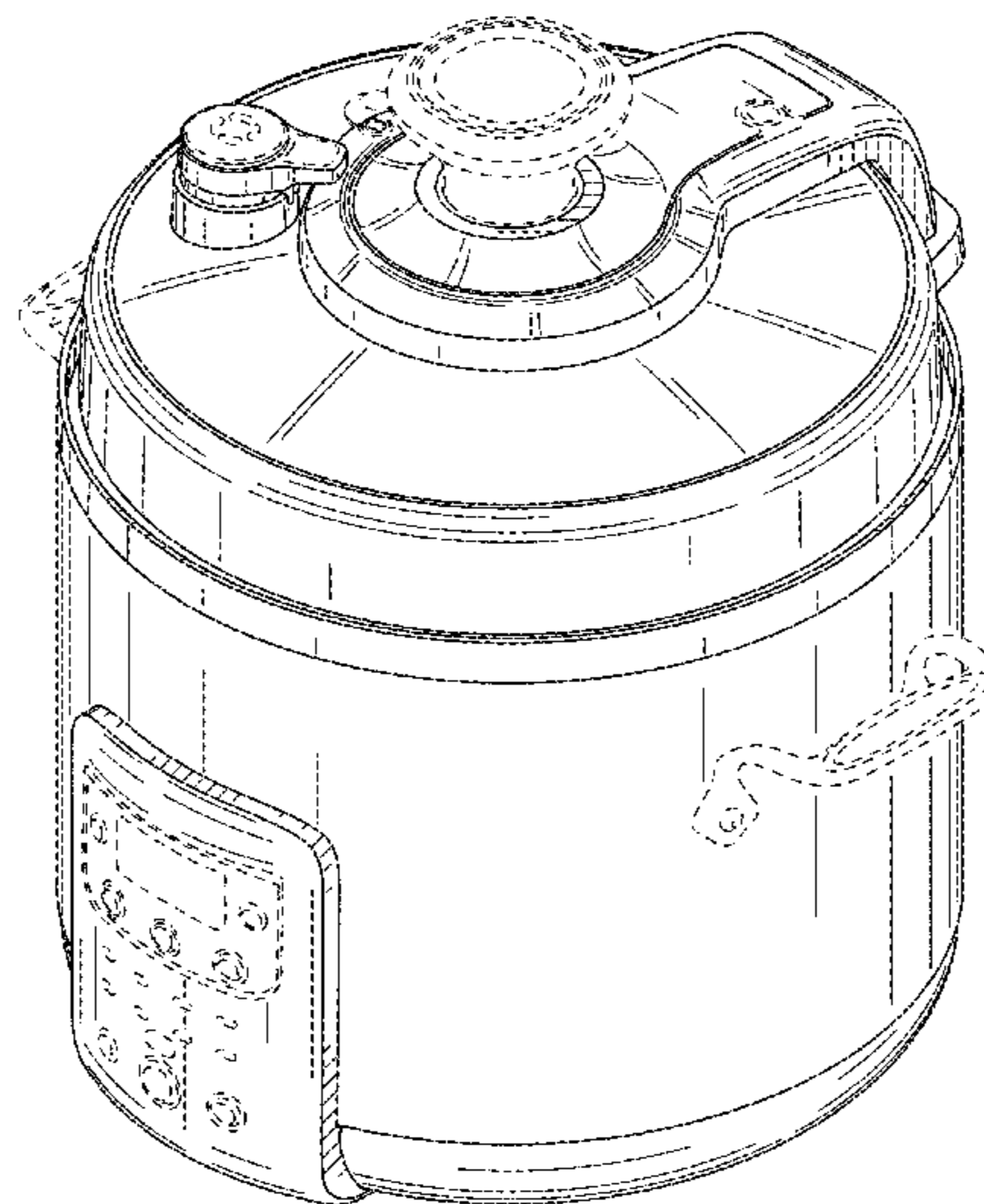
(57) **CLAIM**

The ornamental design for an electric pressure cooker, as shown and described.

DESCRIPTION

FIG. 1 is a perspective view of an electric pressure cooker showing my new design;
FIG. 2 is a front elevational view thereof;
FIG. 3 is a rear elevational view thereof;
FIG. 4 is a right side elevational view thereof;
FIG. 5 is a left side elevational view thereof;
FIG. 6 is a top view thereof; and,
FIG. 7 is a bottom view thereof.
The broken lines shown in the figure drawings are for the purpose of illustration and form no part of the claimed design.

1 Claim, 7 Drawing Sheets



(56)

References Cited

U.S. PATENT DOCUMENTS

D611,758	S	3/2010	Seymour	
D615,807	S	5/2010	Creel	
D635,818	S *	4/2011	Tse	D7/354
D642,416	S	8/2011	Scott et al.	
D642,422	S *	8/2011	Averty	D7/354
D646,114	S *	10/2011	Wong	D7/354
D667,255	S	9/2012	Reiner	
D682,009	S *	5/2013	Day	D7/354
D698,595	S *	2/2014	Kunz	D7/354
D701,416	S *	3/2014	Day	D7/354
D728,301	S *	5/2015	Hack	D7/368
D770,844	S *	11/2016	Chung	D7/354

FOREIGN PATENT DOCUMENTS

CH	694356	A5	12/2004
CN	2389593	Y	8/2000
CN	2469839	Y	1/2002
CN	201624512	U	11/2010
CN	102349791	A	2/2012
CN	203000535	U	6/2013
EP	2258243	A1	12/2010
EP	2732736	A1	5/2014
FR	2783687	A1	3/2000
GB	657982	A	10/1951
WO	0143605	A1	6/2001
WO	2013039332	A2	3/2013

* cited by examiner

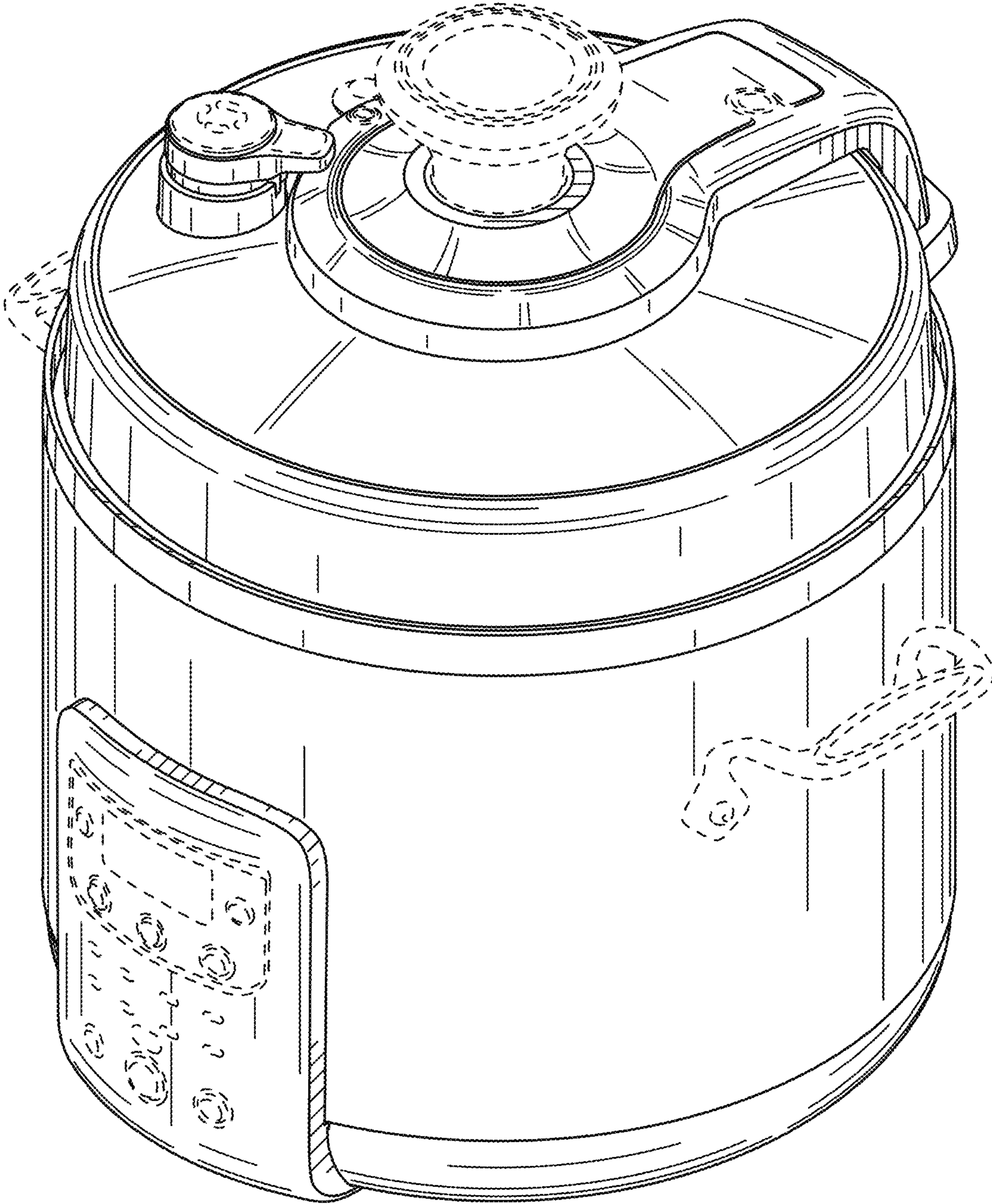


FIG. 1

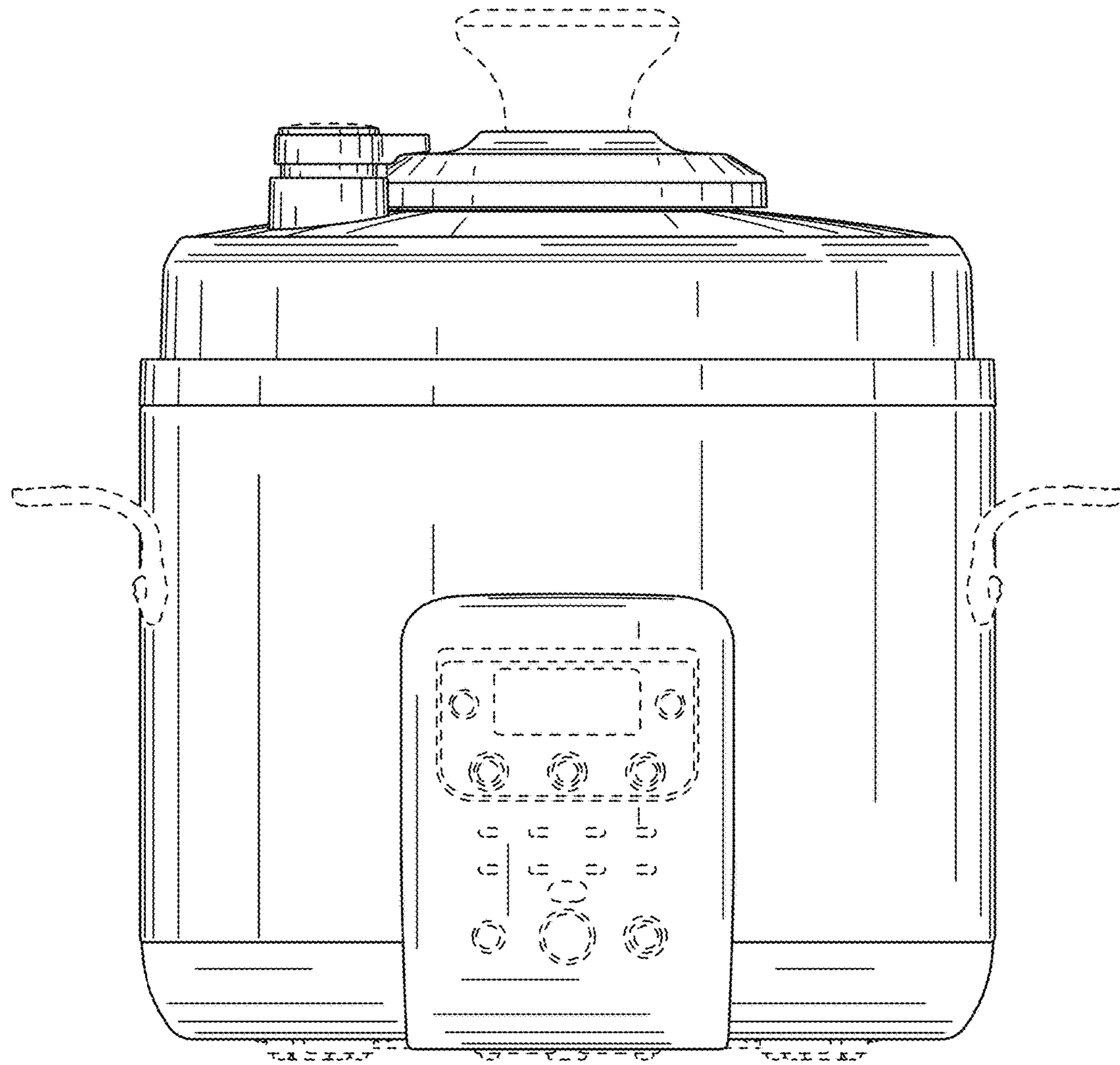


FIG. 2

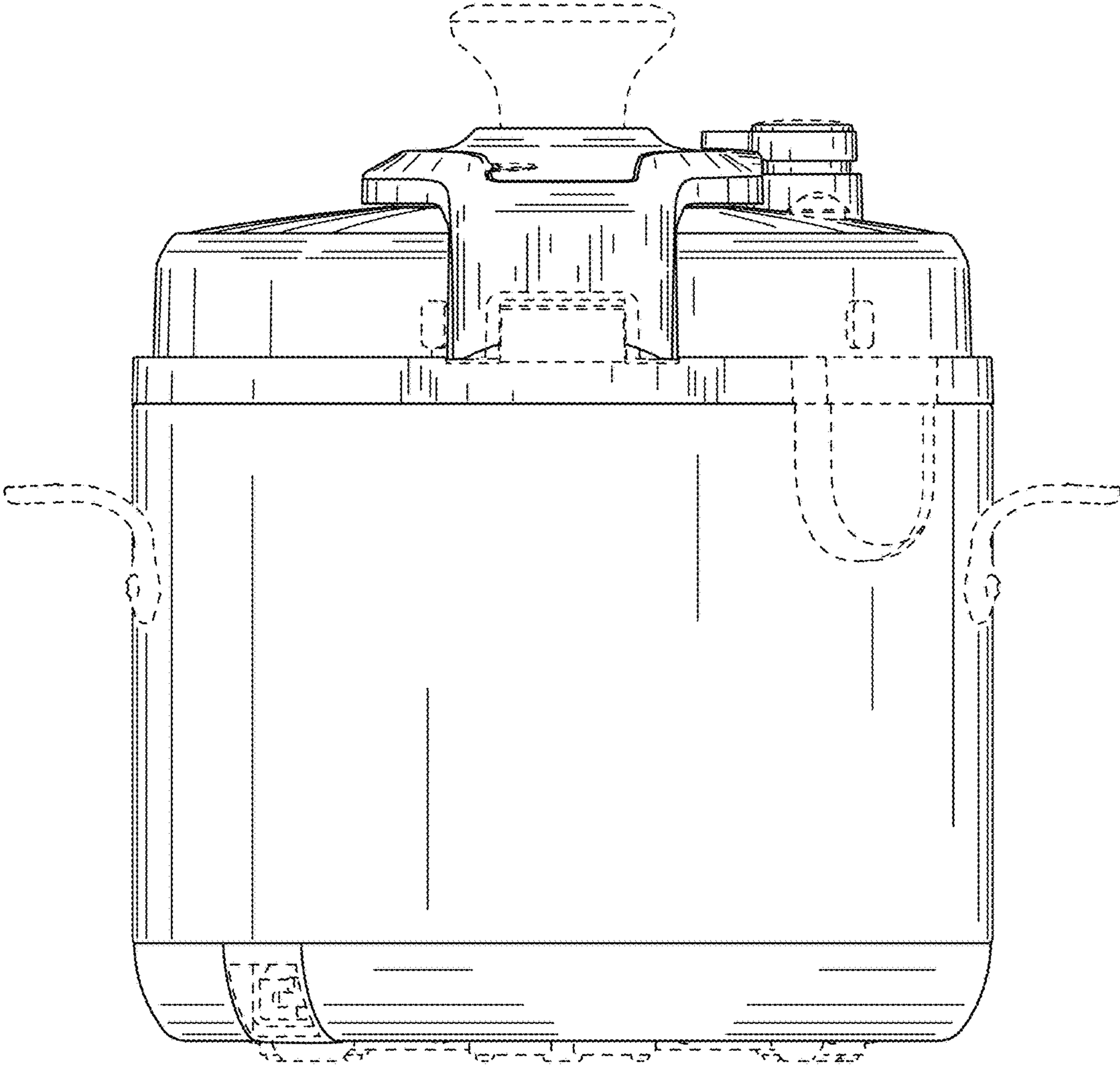


FIG. 3

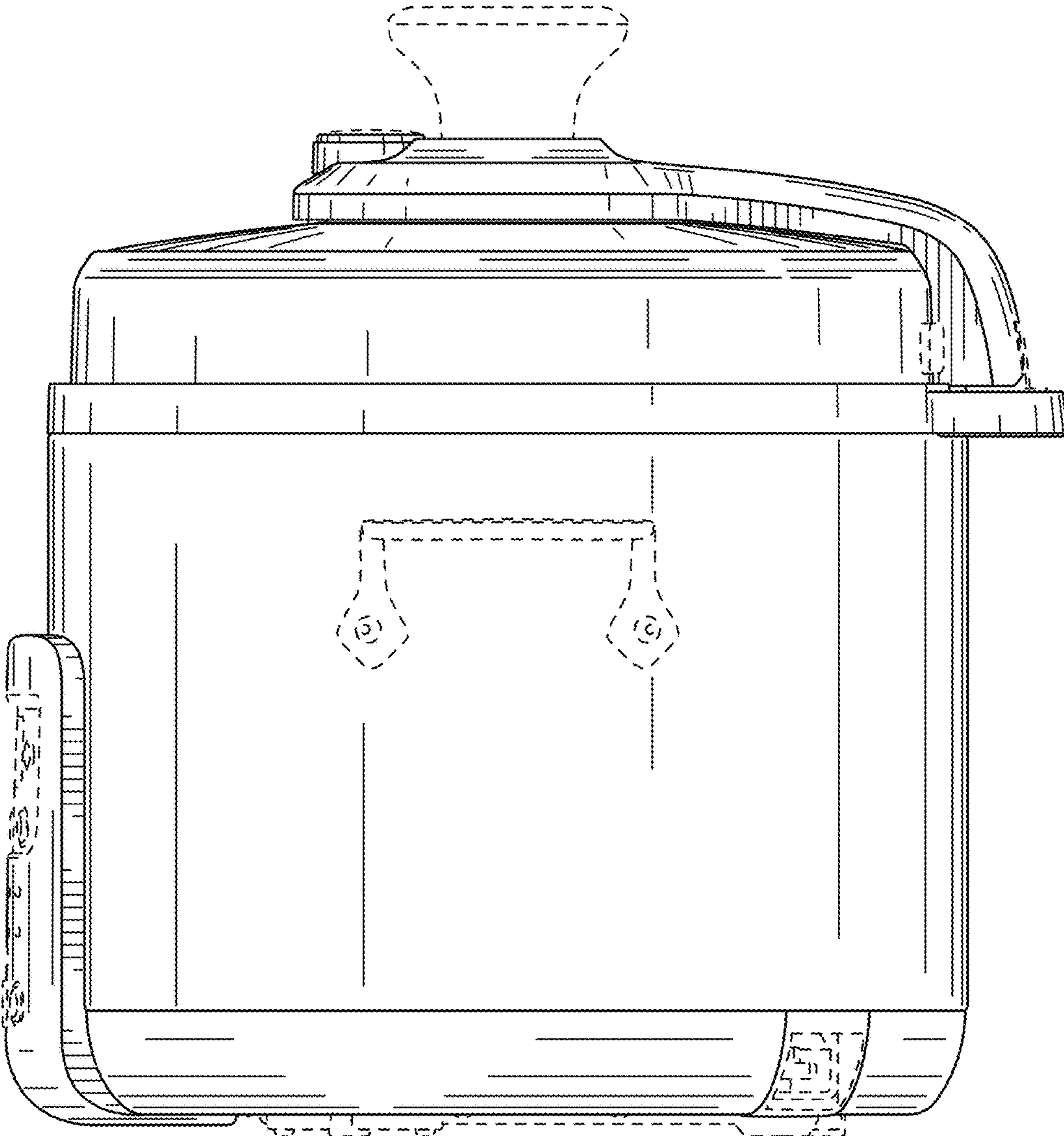


FIG. 4

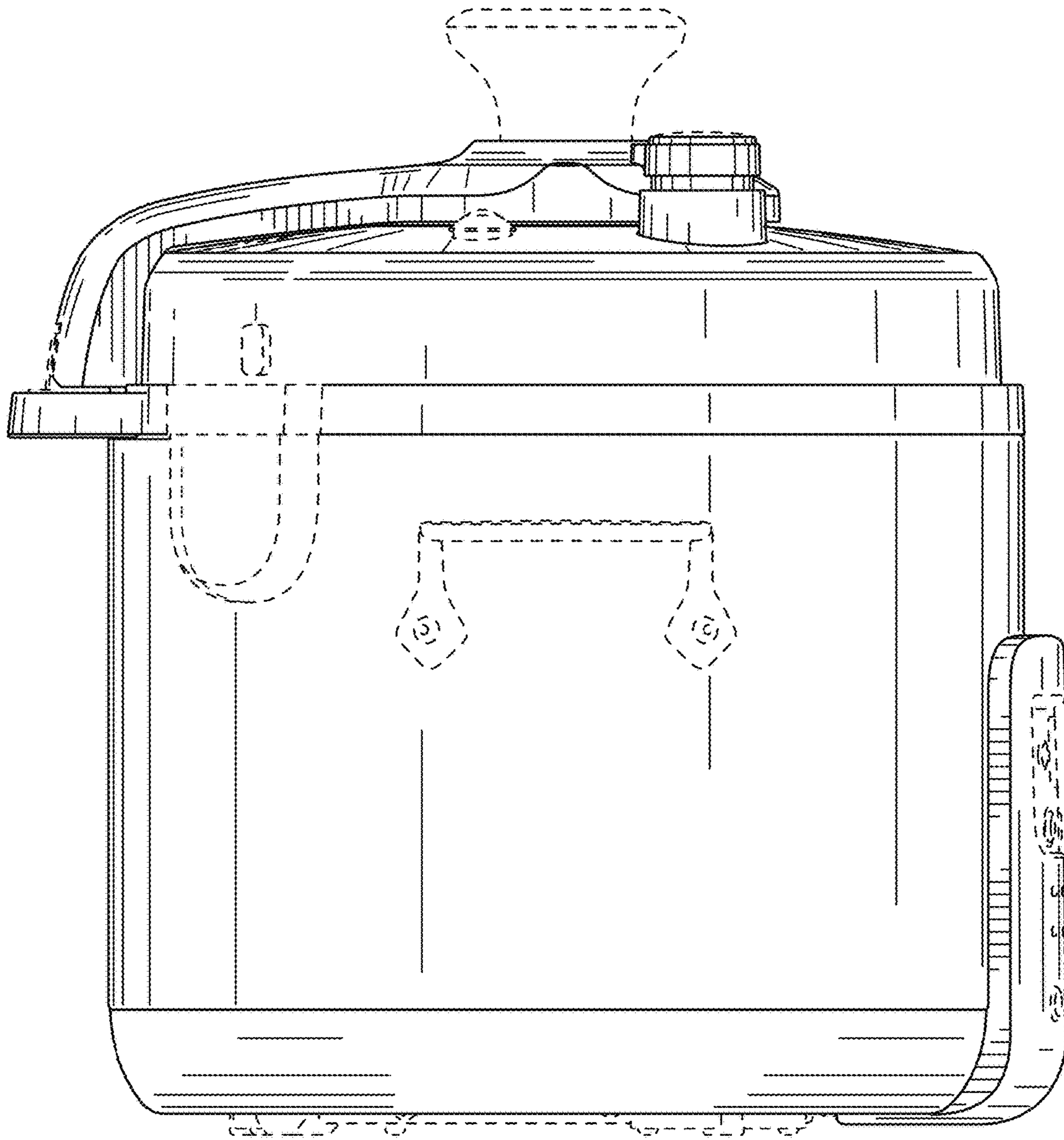


FIG. 5

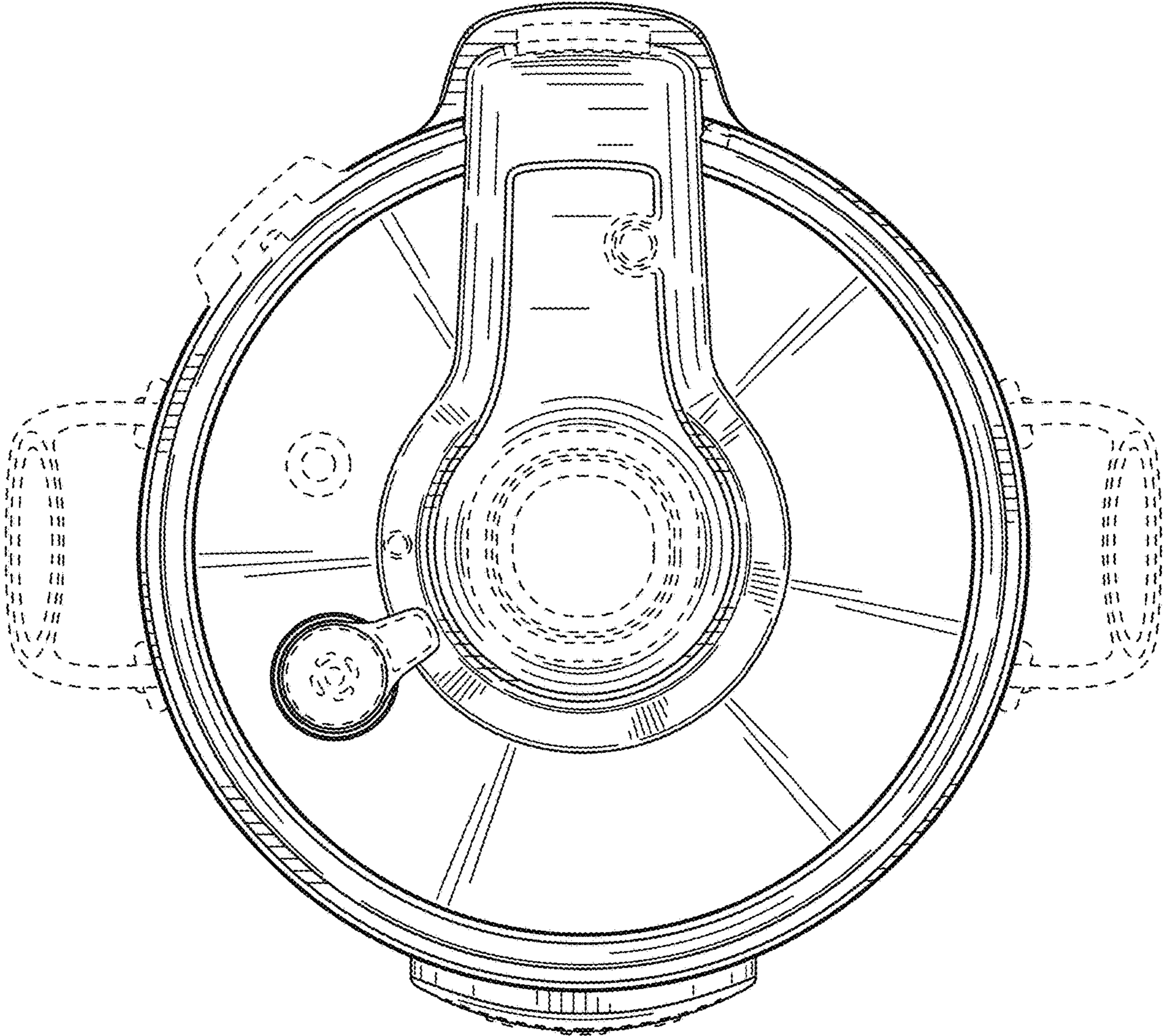


FIG. 6

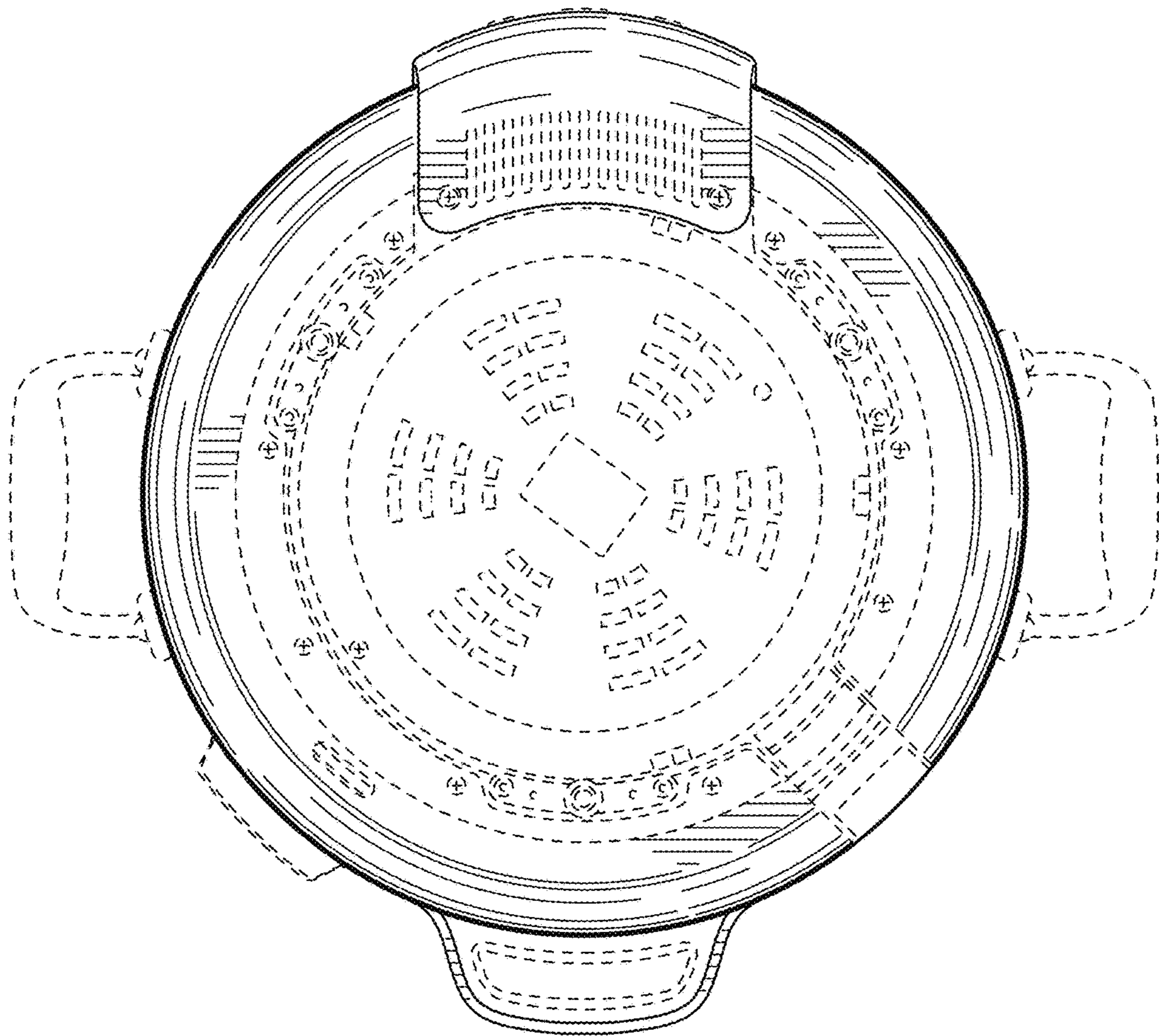


FIG. 7