

US00D802985S

(12) **United States Design Patent** (10) **Patent No.:** **US D802,985 S**  
**Jozancy** (45) **Date of Patent:** **\*\* Nov. 21, 2017**

(54) **ELECTRIC SANDWICH MAKER**  
(71) Applicant: **SEB**, Selongey (FR)  
(72) Inventor: **Luc Jozancy**, Sainte Colombe (FR)  
(73) Assignee: **SEB**, Selongey (FR)  
(\*\*) Term: **15 Years**  
(21) Appl. No.: **29/578,105**  
(22) Filed: **Sep. 19, 2016**

(30) **Foreign Application Priority Data**

Mar. 21, 2016 (EM) ..... 003037456-0001

(51) **LOC (10) Cl.** ..... **07-02**

(52) **U.S. Cl.**  
USPC ..... **D7/352; D7/362**

(58) **Field of Classification Search**  
USPC ..... D7/323, 328-330, 337, 347, 352-364,  
D7/367, 402, 409-411  
CPC . A21B 5/023; A47J 27/60; A47J 27/62; A47J  
37/04; A47J 37/06; A47J 37/067; A47J  
37/0605; A47J 37/0611; A47J 37/0623;  
A47J 37/0629; A47J 37/0676; A47J  
2037/06; A47J 2037/0611; F24C 15/10;  
F24C 15/102; H05B 6/02; H05B 6/062  
See application file for complete search history.

(56) **References Cited**

**U.S. PATENT DOCUMENTS**

D235,610 S 7/1975 Giguere  
D242,975 S 1/1977 Daher  
D266,306 S 9/1982 Ansel  
D301,671 S 6/1989 Van Aster  
D413,759 S 9/1999 Carrere  
D439,796 S 4/2001 Edwards et al.  
D451,754 S 12/2001 Cousins et al.

D462,228 S \* 9/2002 Wu ..... D7/352  
D462,566 S \* 9/2002 Wu ..... D7/352  
D463,950 S \* 10/2002 Wu ..... D7/352  
D466,361 S 12/2002 Wanat et al.  
D473,417 S \* 4/2003 Martres ..... D7/352  
D502,630 S 3/2005 Lubowicki  
D509,703 S 9/2005 Barker  
D510,677 S 10/2005 Steinberg et al.  
D527,941 S 9/2006 Serra  
D528,350 S 9/2006 McHutchison  
D546,619 S 7/2007 McHutchison  
D549,516 S \* 8/2007 Since ..... D7/352  
D550,025 S \* 9/2007 Chao ..... D7/352  
D550,026 S \* 9/2007 Chao ..... D7/352  
D580,699 S 11/2008 Averty  
D581,202 S 11/2008 Tetreault et al.  
D588,858 S 3/2009 Tetreault et al.  
D589,294 S 3/2009 Averty  
D592,444 S 5/2009 Tetreault  
D622,538 S 8/2010 Hoare et al.

(Continued)

*Primary Examiner* — Ricky Pham

(74) *Attorney, Agent, or Firm* — Loeb & Loeb LLP

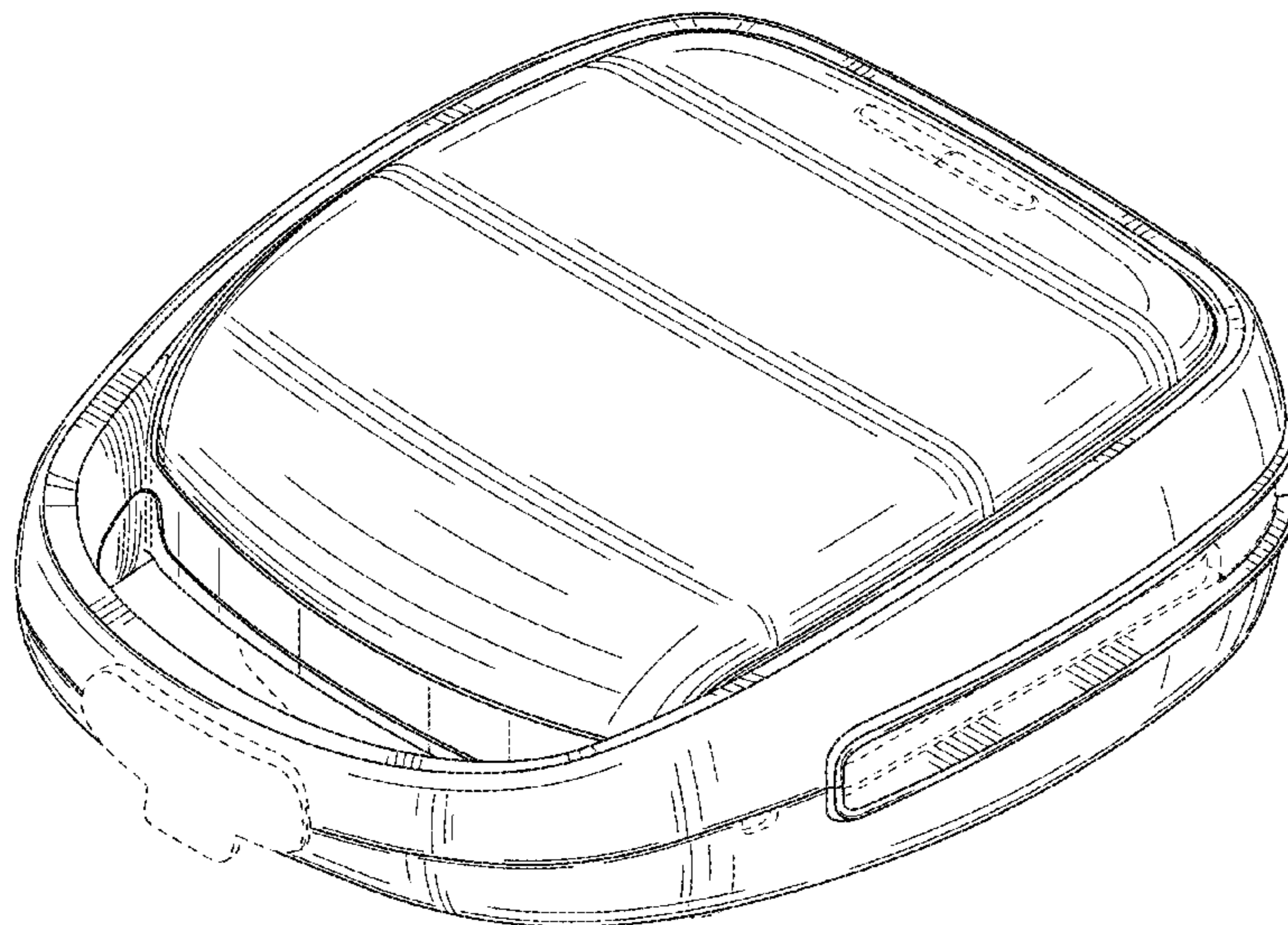
(57) **CLAIM**

The ornamental design for an electric sandwich maker, as shown and described.

**DESCRIPTION**

FIG. 1 is a perspective view of an electric sandwich maker showing my new design;  
FIG. 2 is a front elevational view thereof;  
FIG. 3 is a rear elevational view thereof;  
FIG. 4 is a right side elevational view thereof;  
FIG. 5 is a left side elevational view thereof;  
FIG. 6 is a top view thereof; and,  
FIG. 7 is a bottom view thereof.  
The broken lines shown in the figure drawings are for the purpose of illustration and form no part of the claimed design.

**1 Claim, 7 Drawing Sheets**



(56)

**References Cited**

U.S. PATENT DOCUMENTS

D632,126 S	2/2011	Tetreault	
D634,969 S	3/2011	De' Longhi	
D638,260 S *	5/2011	Lin .....	D7/402
D644,477 S	9/2011	Burton et al.	
D679,129 S	4/2013	Cesaroni et al.	
D694,570 S	12/2013	Day et al.	
D697,360 S	1/2014	Josancy	
D715,085 S *	10/2014	Piret .....	D7/352
D715,086 S	10/2014	Fret	
D718,976 S *	12/2014	Miller .....	D7/352
D719,395 S *	12/2014	Miller .....	D7/352

\* cited by examiner

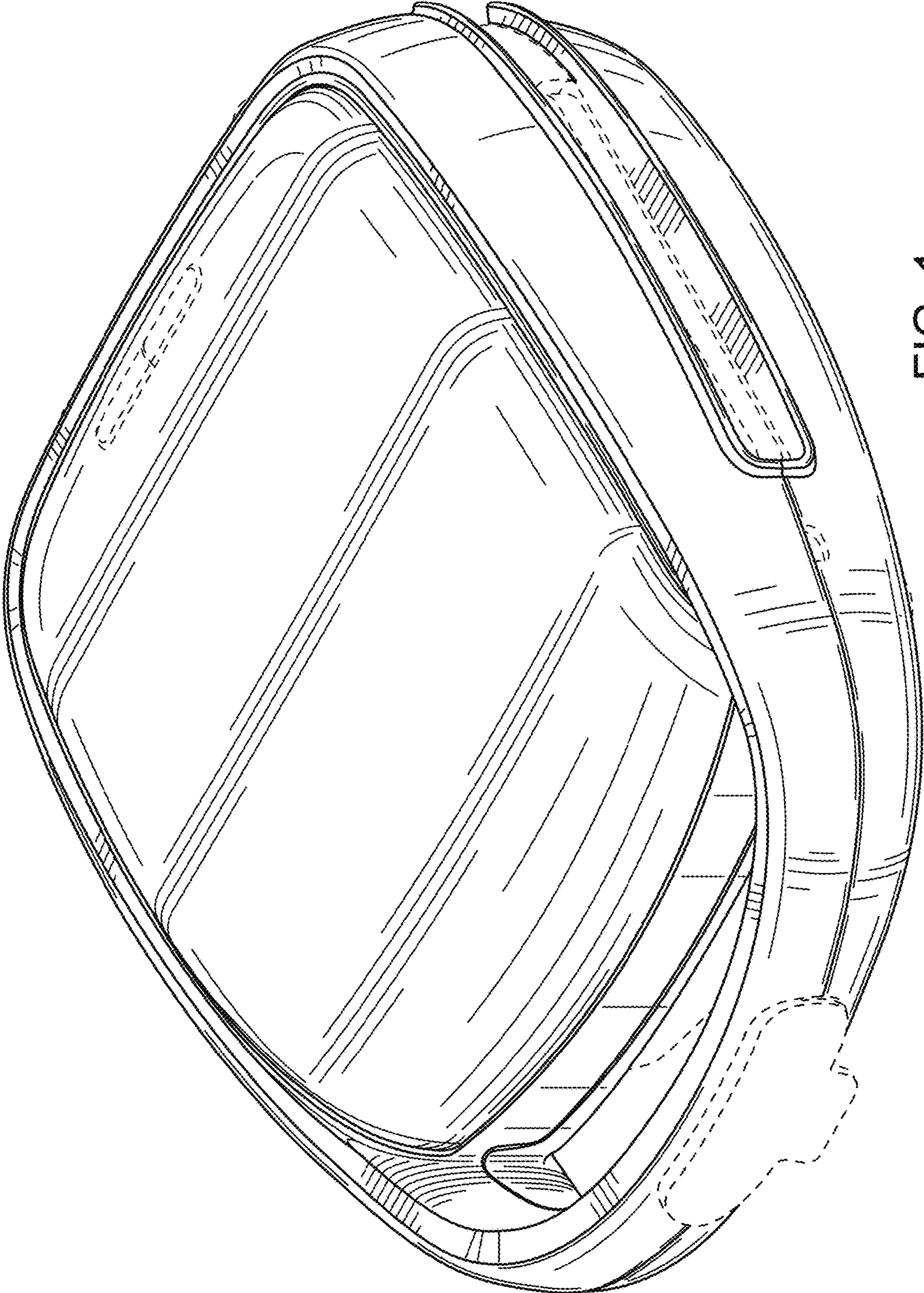


FIG. 1



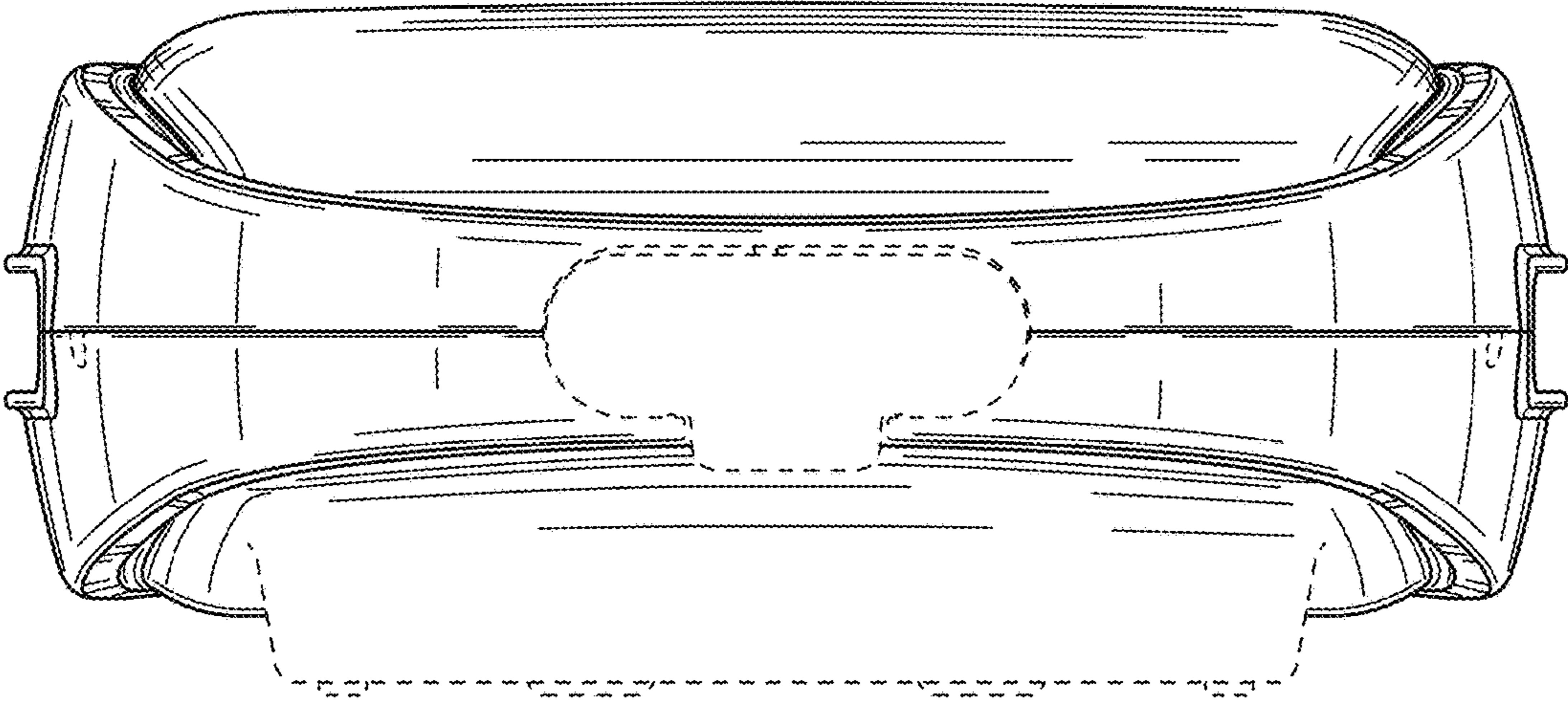


FIG. 2

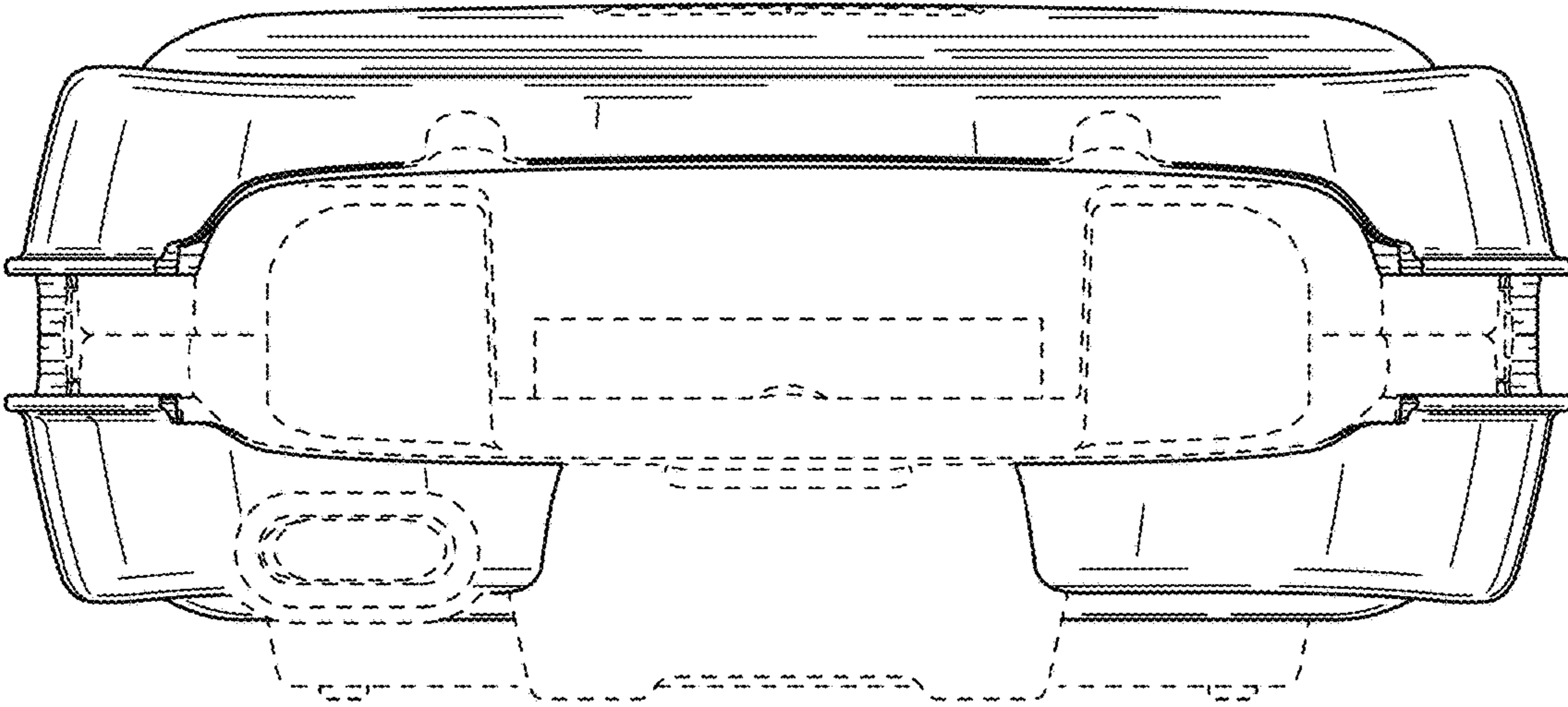


FIG. 3

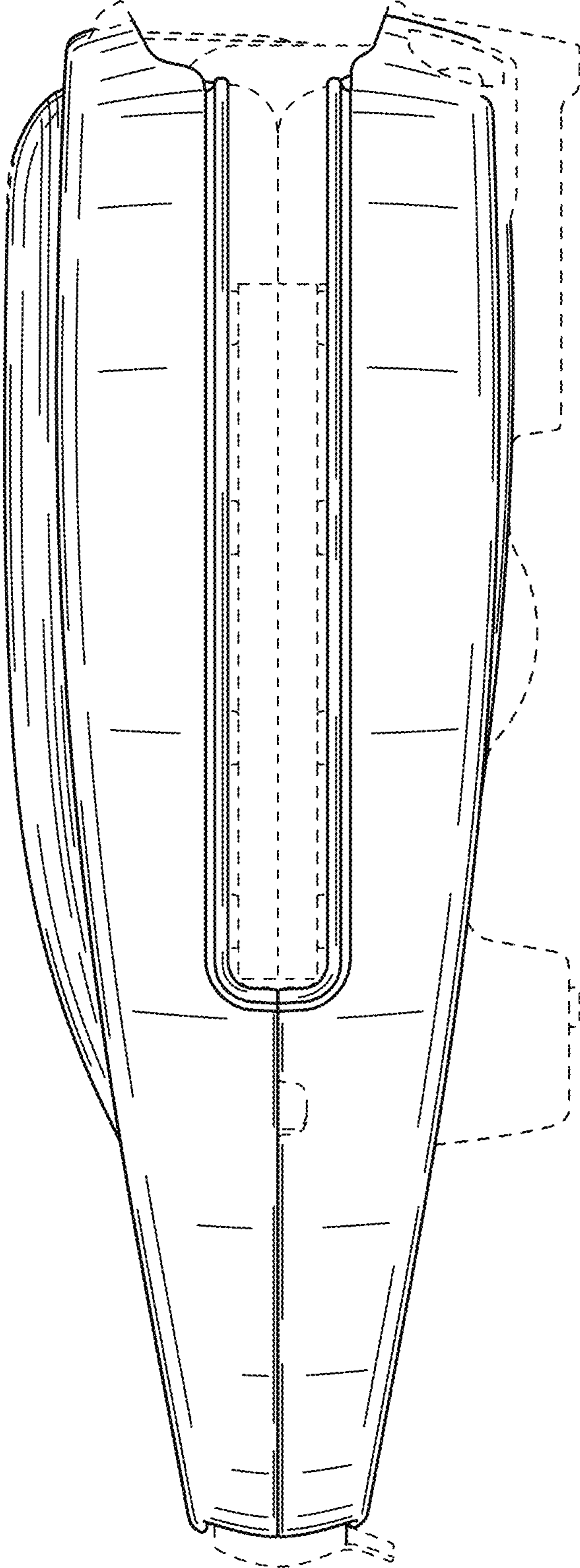


FIG. 4

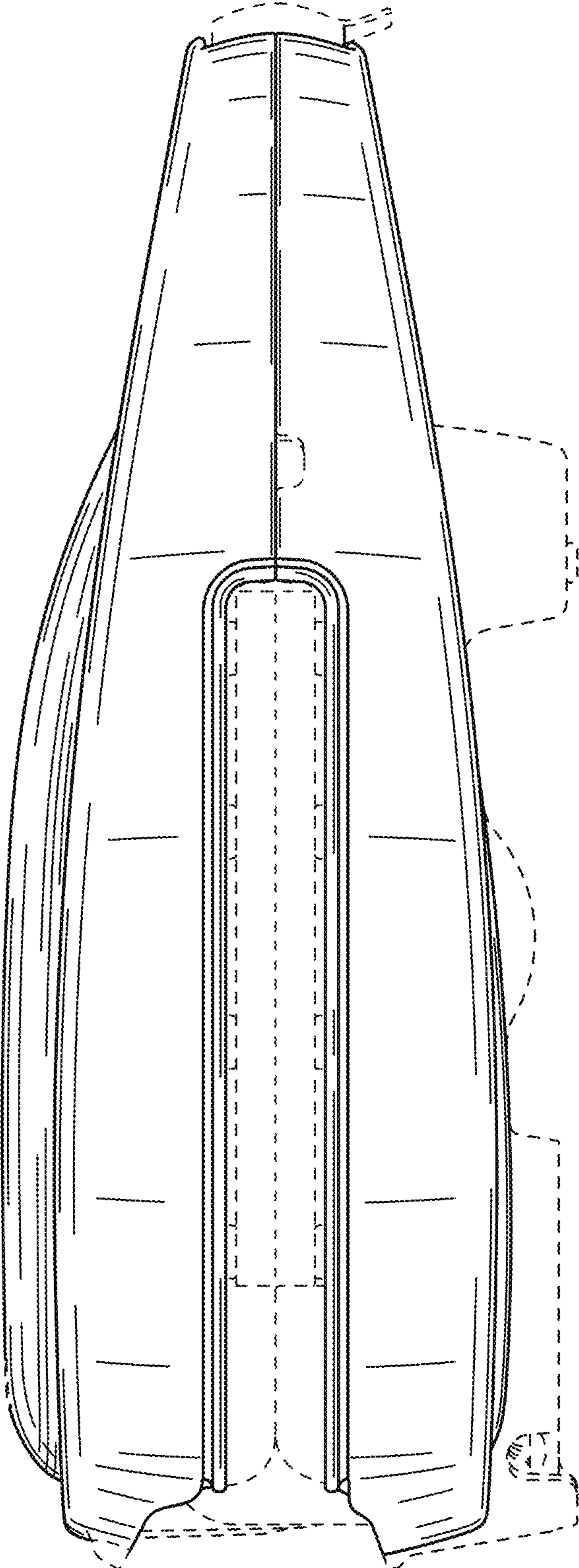


FIG. 5



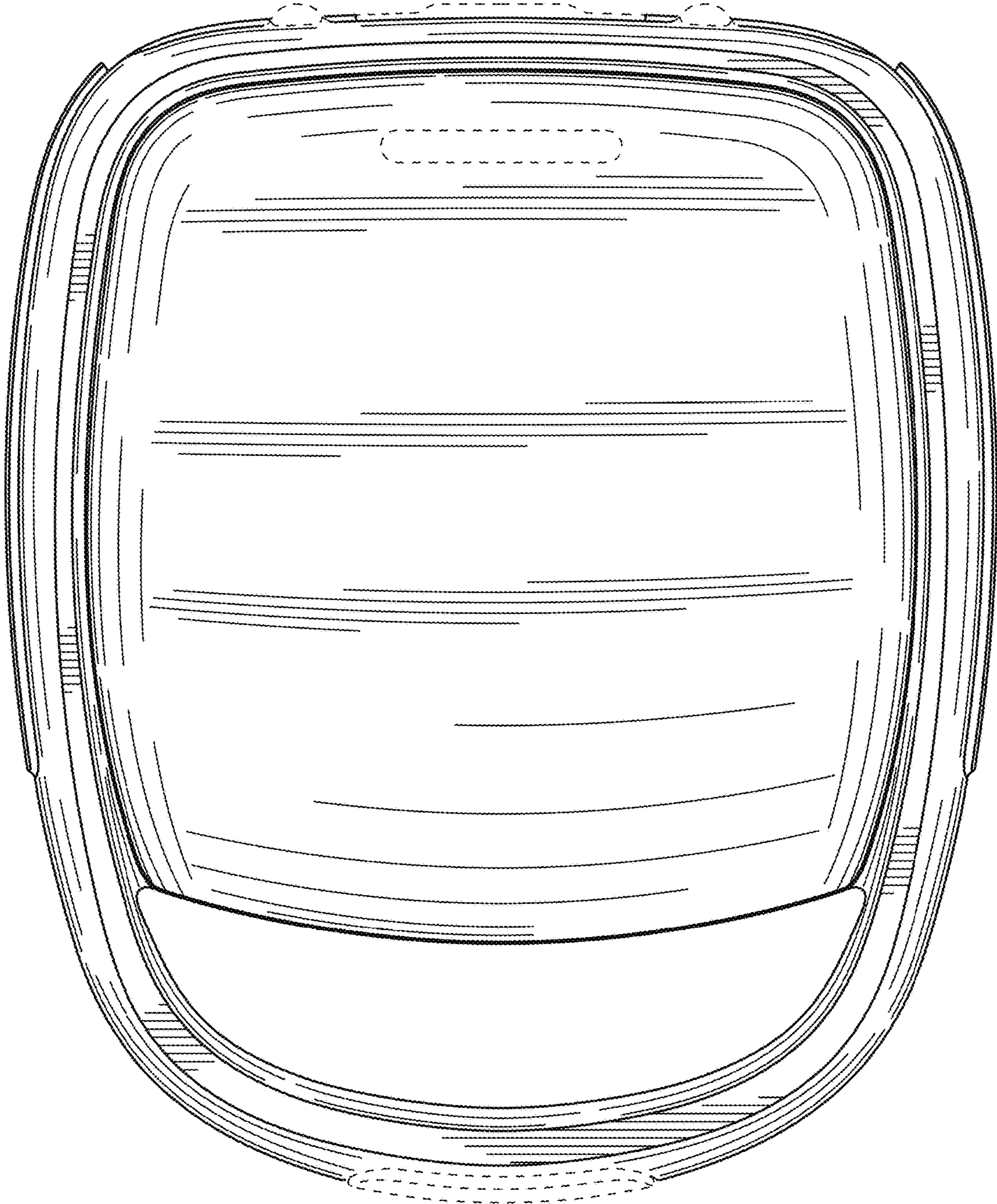


FIG. 6



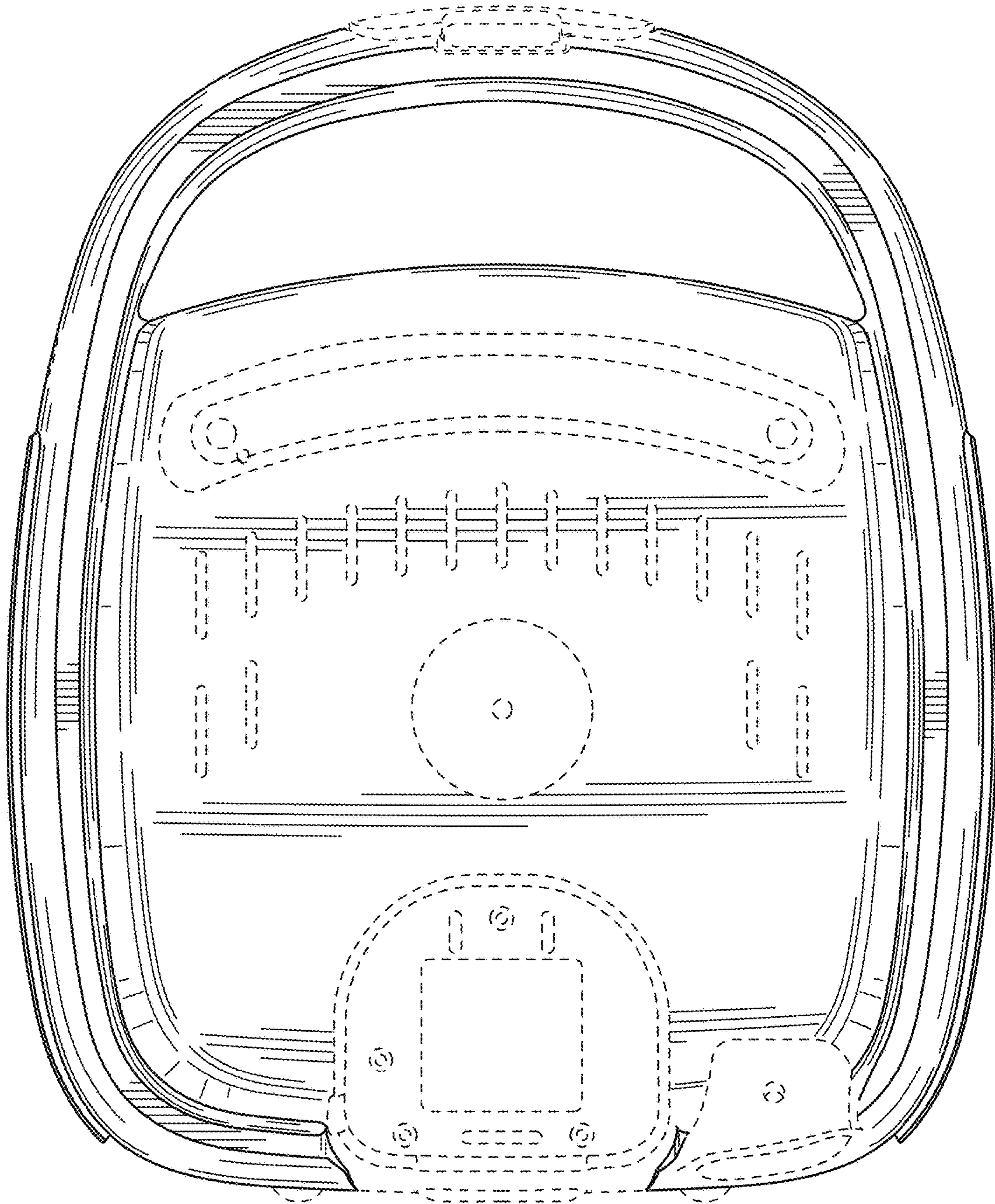


FIG. 7