



US00D802984S

(12) **United States Design Patent**
Dutruel

(10) **Patent No.:** **US D802,984 S**

(45) **Date of Patent:** **** Nov. 21, 2017**

- (54) **ELECTRIC GRILL**
- (71) Applicant: **TEFAL**, Rumilly (FR)
- (72) Inventor: **Laurent Dutruel**, Dole (FR)
- (73) Assignee: **TEFAL**, Rumilly (FR)
- (**) Term: **15 Years**
- (21) Appl. No.: **29/572,499**
- (22) Filed: **Jul. 28, 2016**
- (30) **Foreign Application Priority Data**

D622,538 S	8/2010	Hoare et al.	
D632,127 S	2/2011	Whitcombe	
D634,969 S	3/2011	De' Longhi	
7,963,215 B2	6/2011	Ho et al.	
D644,477 S	9/2011	Burton et al.	
8,156,860 B2	4/2012	Liu et al.	
D670,530 S	11/2012	Huber et al.	
D671,791 S *	12/2012	Cesaroni	D7/352
D679,129 S	4/2013	Cesaroni et al.	
D697,360 S	1/2014	Josancy	
D714,092 S *	9/2014	Verbrugge	D7/352
D715,085 S *	10/2014	Piret	D7/352
D715,086 S *	10/2014	Piret	D7/352
D731,228 S *	6/2015	Garman	D7/352
D760,532 S *	7/2016	Koszylko	D7/352
D766,645 S *	9/2016	Koszylko	D7/352
2007/0017384 A1	1/2007	Serra	

- Jan. 28, 2016 (EM) 002963165-0001
- (51) **LOC (10) Cl.** **07-02**
- (52) **U.S. Cl.**
USPC **D7/352; D7/362**
- (58) **Field of Classification Search**
USPC D7/323, 328-330, 337, 347, 352-364,
D7/367, 402, 409-411
CPC . A21B 5/023; A47J 27/60; A47J 27/62; A47J
37/04; A47J 37/06; A47J 37/067; A47J
37/0605; A47J 37/0611; A47J 37/0623;
A47J 37/0629; A47J 37/0676; A47J
2037/06; A47J 2037/0611; F24C 15/10;
F24C 15/102; H05B 6/02; H05B 6/062
See application file for complete search history.

* cited by examiner

Primary Examiner — Ricky Pham

(74) *Attorney, Agent, or Firm* — Loeb & Loeb LLP

- (56) **References Cited**
U.S. PATENT DOCUMENTS

D509,703 S	9/2005	Barker	
D527,941 S	9/2006	Serra	
D528,350 S	9/2006	McHutchison	
D546,619 S	7/2007	McHutchison	
D588,858 S *	3/2009	Tetreault	D7/352
D591,550 S *	5/2009	Lam	D7/337

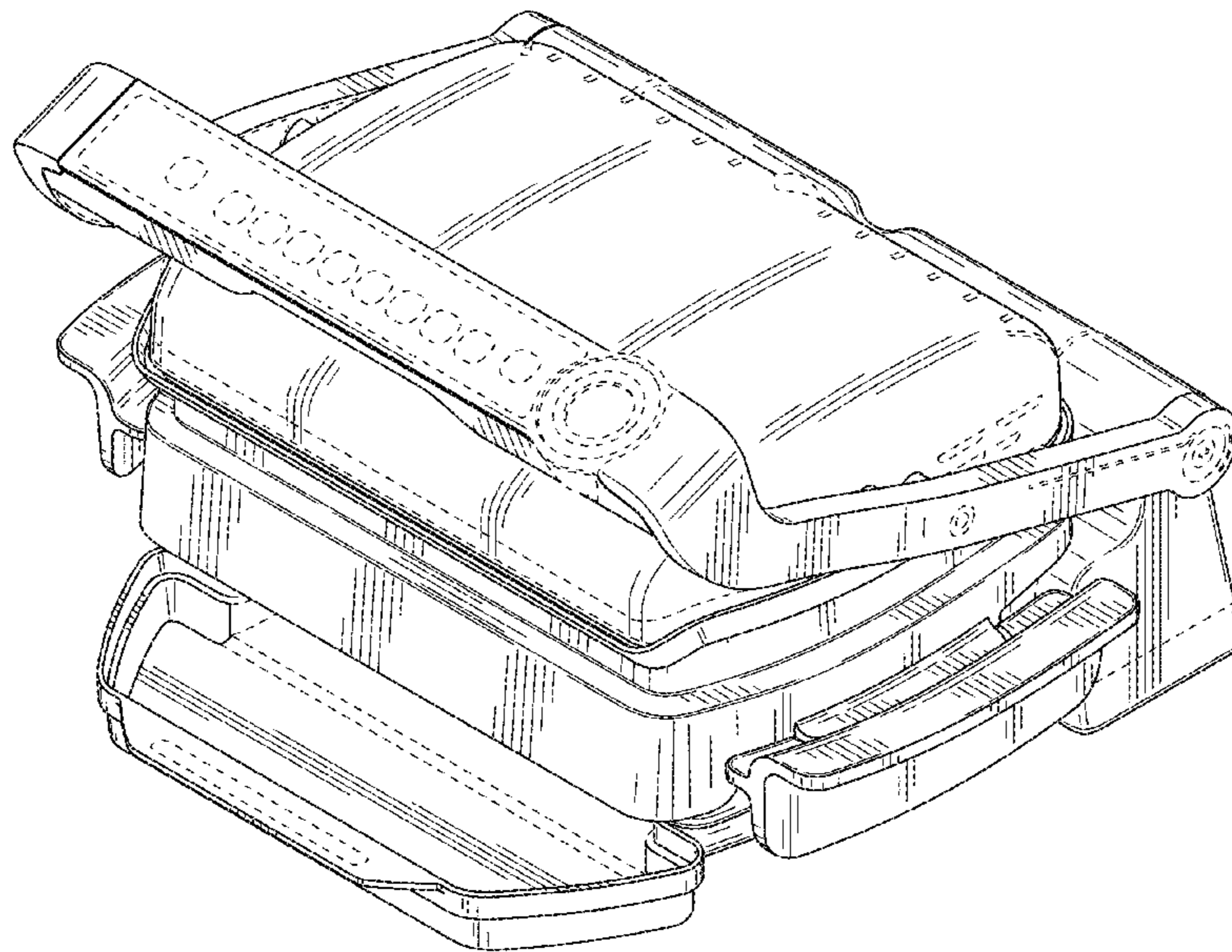
(57) **CLAIM**

The ornamental design for an electric grill, as shown and described.

DESCRIPTION

FIG. 1 is a perspective view of an embodiment of an electric grill showing my new design;
 FIG. 2 is a front elevational view thereof;
 FIG. 3 is a rear elevational view thereof;
 FIG. 4 is a right side elevational view thereof;
 FIG. 5 is a left side elevational view thereof;
 FIG. 6 is a top view thereof; and,
 FIG. 7 is a bottom view thereof.
 The broken lines shown in the figure drawings are for the purpose of illustration and form no part of the claimed design.

1 Claim, 7 Drawing Sheets



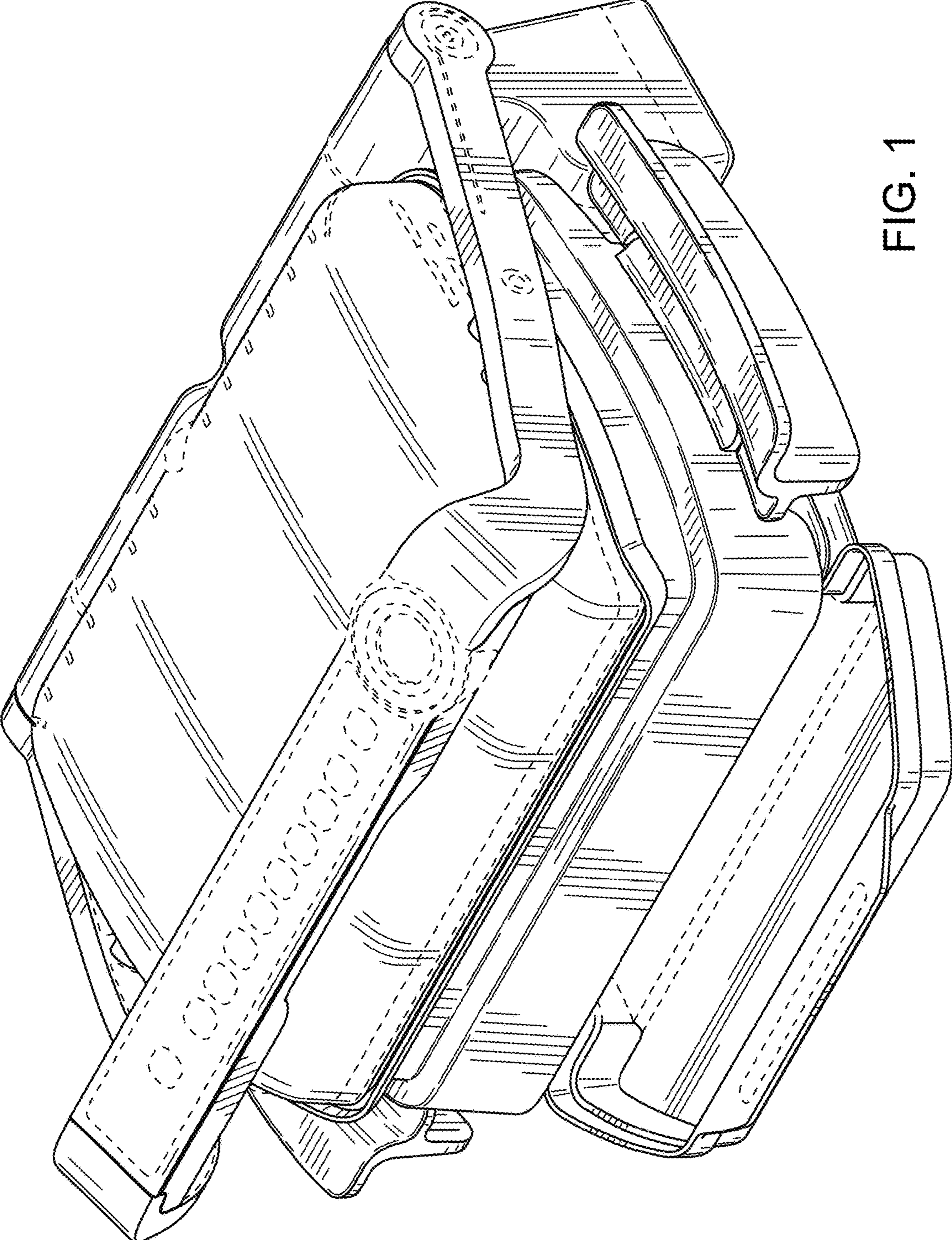


FIG. 1

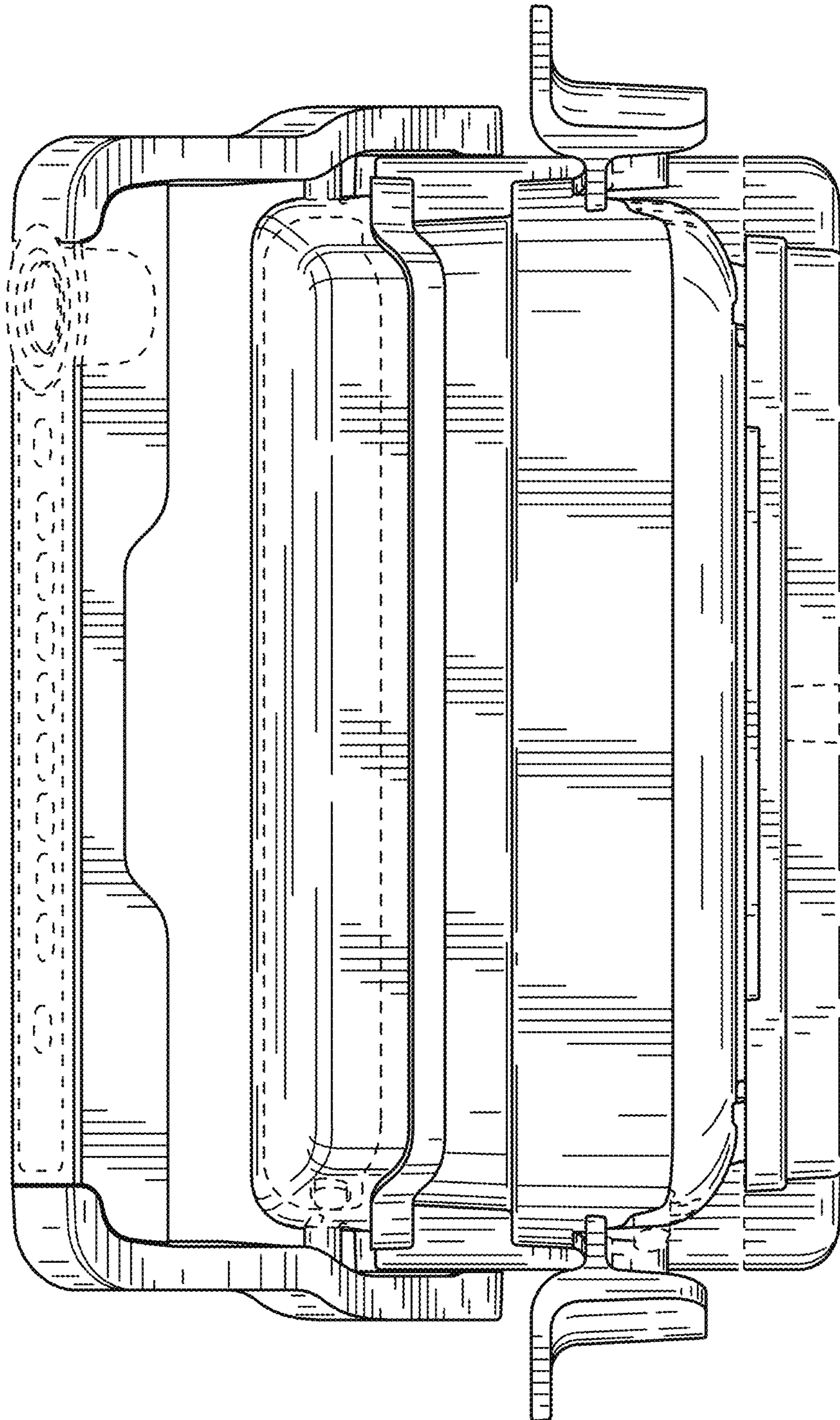


FIG. 2

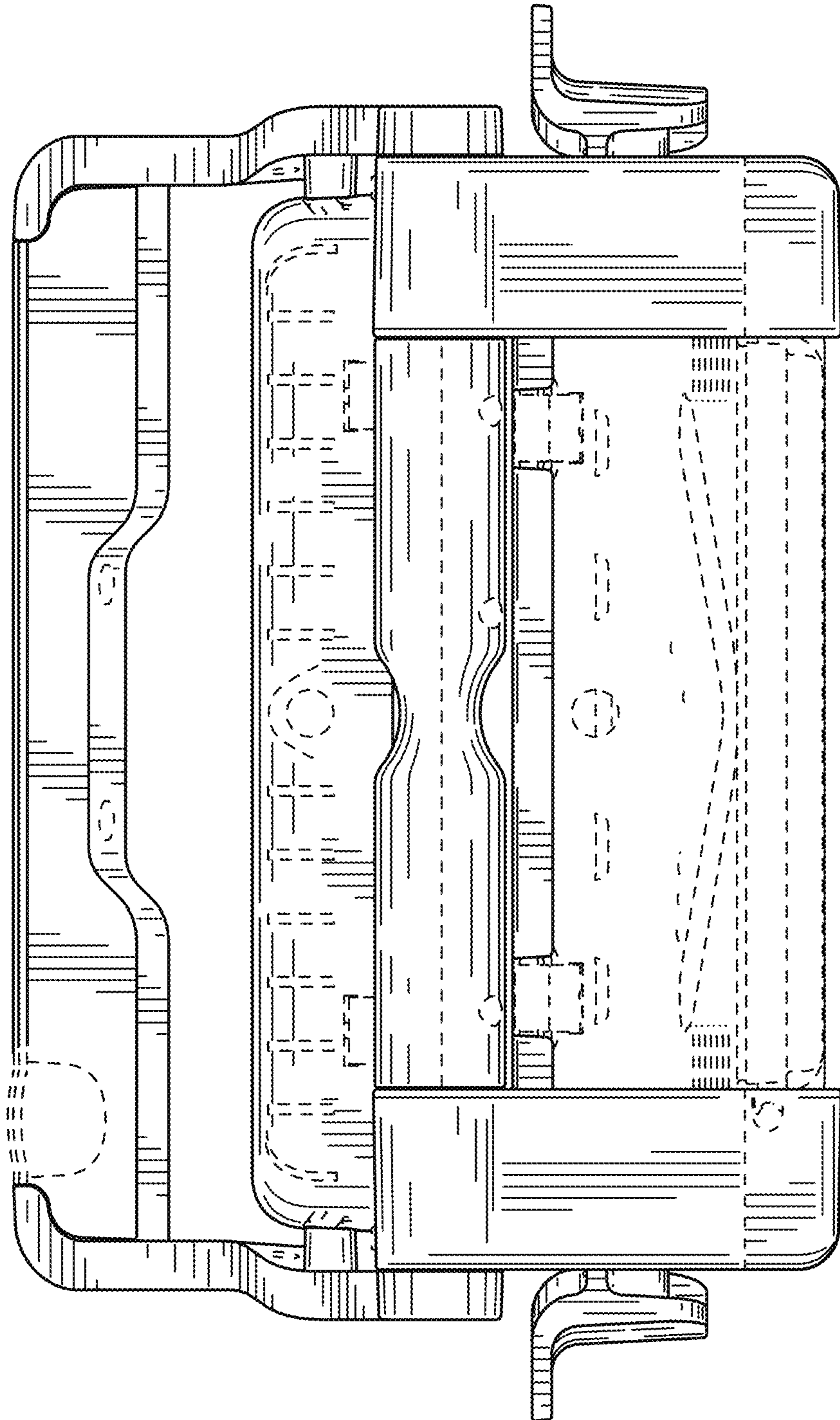


FIG. 3

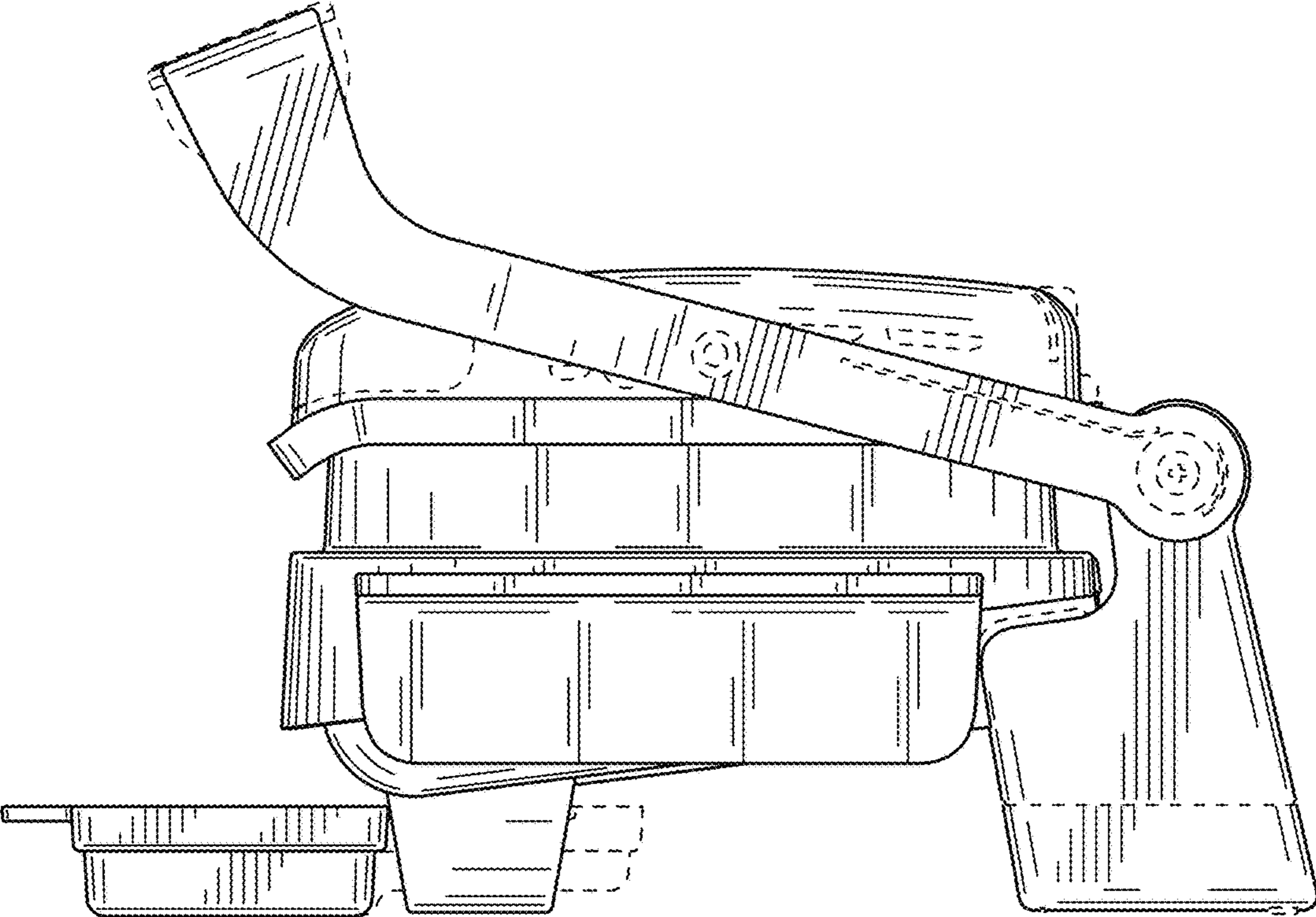


FIG. 4

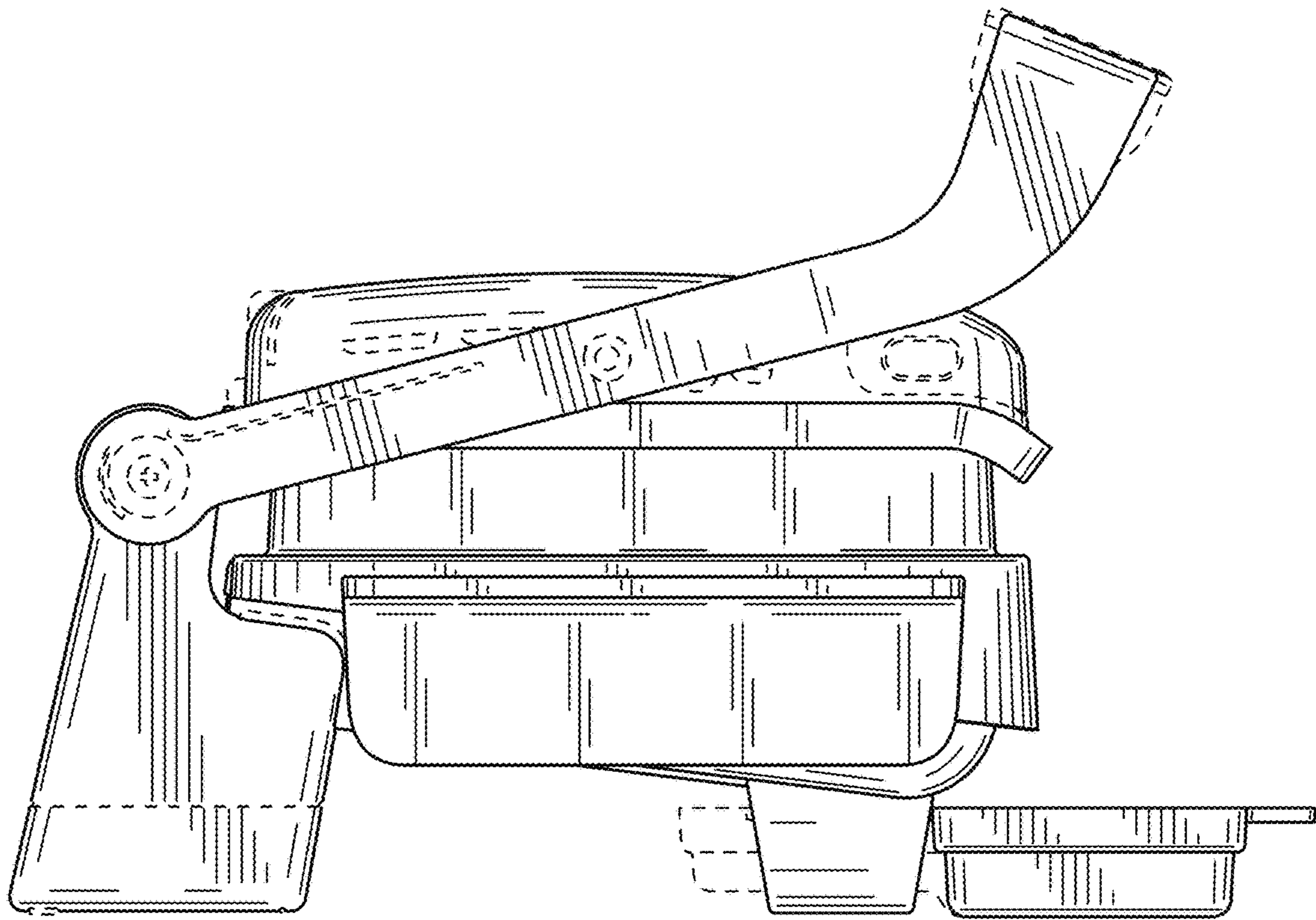


FIG. 5

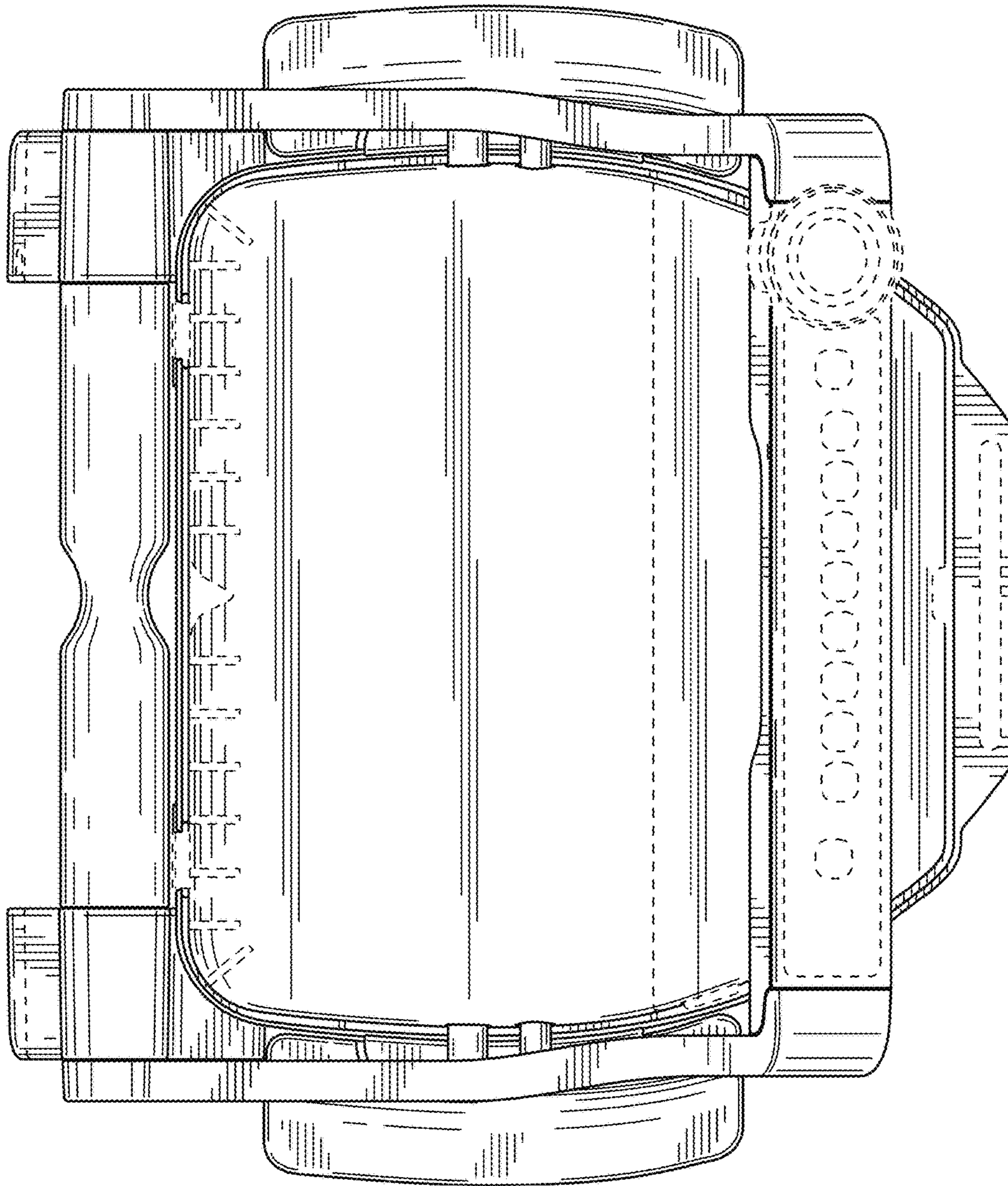


FIG. 6

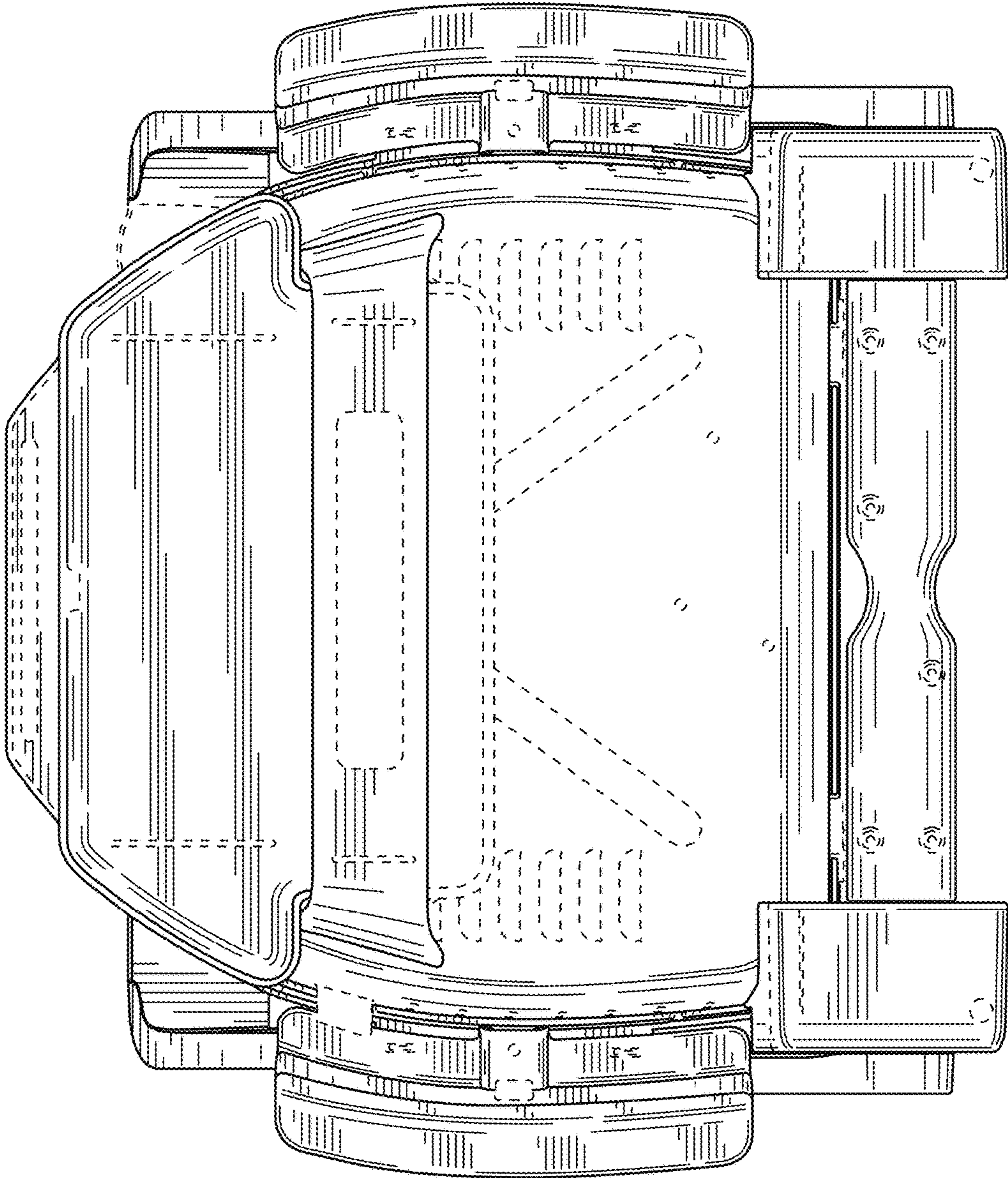


FIG. 7