



US00D802983S

(12) **United States Design Patent**
Gilpatric

(10) **Patent No.:** **US D802,983 S**

(45) **Date of Patent:** **** Nov. 21, 2017**

- (54) **COOKING APPLIANCE**
- (71) Applicant: **HATCO CORPORATION**,
Milwaukee, WI (US)
- (72) Inventor: **Mark Gilpatric**, Milwaukee, WI (US)
- (73) Assignee: **Hatco Corporation**, Milwaukee, WI
(US)
- (**) Term: **15 Years**
- (21) Appl. No.: **29/549,930**
- (22) Filed: **Dec. 29, 2015**
- (51) **LOC (10) Cl.** **07-02**
- (52) **U.S. Cl.**
USPC **D7/328**
- (58) **Field of Classification Search**
USPC D7/328-331, 347-350.4, 353, 387, 390,
D7/402-408
CPC A21B 2/00; A47J 36/32; A47J 37/0857;
A47J 37/0807; A47J 37/0635; A47J
37/0611; A47J 37/049; A47J 37/044;
A47J 37/00; A47J 37/06; A47J 37/08
See application file for complete search history.

(56) **References Cited**

U.S. PATENT DOCUMENTS

- D36,681 S * 12/1903 Dahman D7/350.4
- D71,810 S * 1/1927 Olson D7/350.4
- D91,978 S * 4/1934 Barnes et al. D7/328
- 2,028,159 A * 1/1936 Kemp A47J 37/0814
99/391
- D119,607 S * 3/1940 Brannon D7/350.1
- 2,387,621 A * 10/1945 Stangle A47J 37/049
99/397
- D169,528 S * 5/1953 Angelus D7/328
- 2,729,160 A * 1/1956 Pirz A47J 37/041
99/340
- 2,789,877 A * 4/1957 Pfundt A23B 4/052
220/601

- 2,920,551 A * 1/1960 Schmall A47J 37/0814
99/329 P
- 3,455,233 A * 7/1969 Cable A47J 37/0704
99/443 R
- D220,229 S * 3/1971 Saurer D7/331
- 3,669,004 A * 6/1972 Eaton, Jr. A47J 37/0623
219/400
- 3,693,536 A * 9/1972 Carville A47J 37/0857
219/539

(Continued)

Primary Examiner — Caron D Veynar
Assistant Examiner — Mehri Bajoul
(74) *Attorney, Agent, or Firm* — Ryan Kromholz &
Manion, S.C.

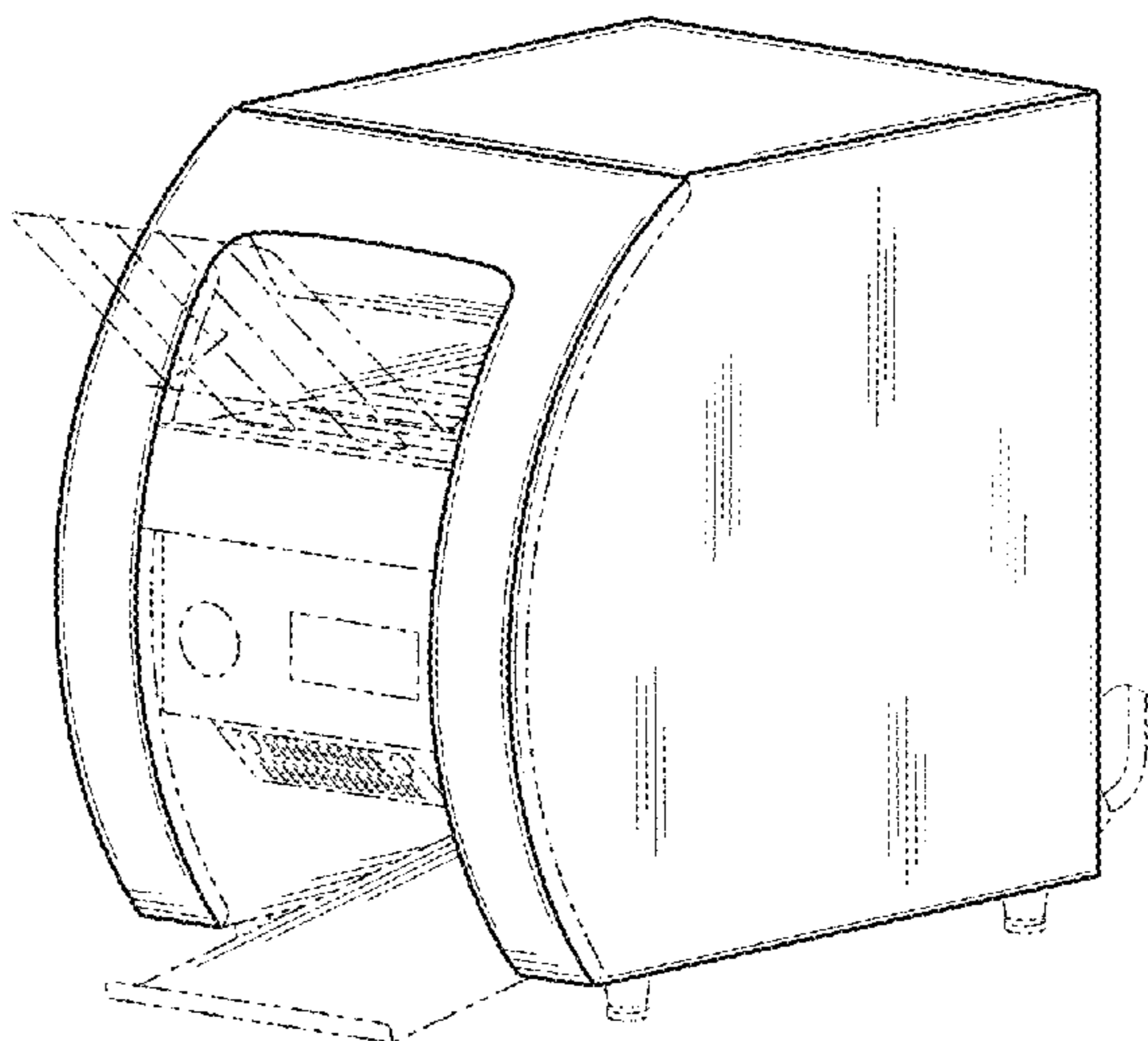
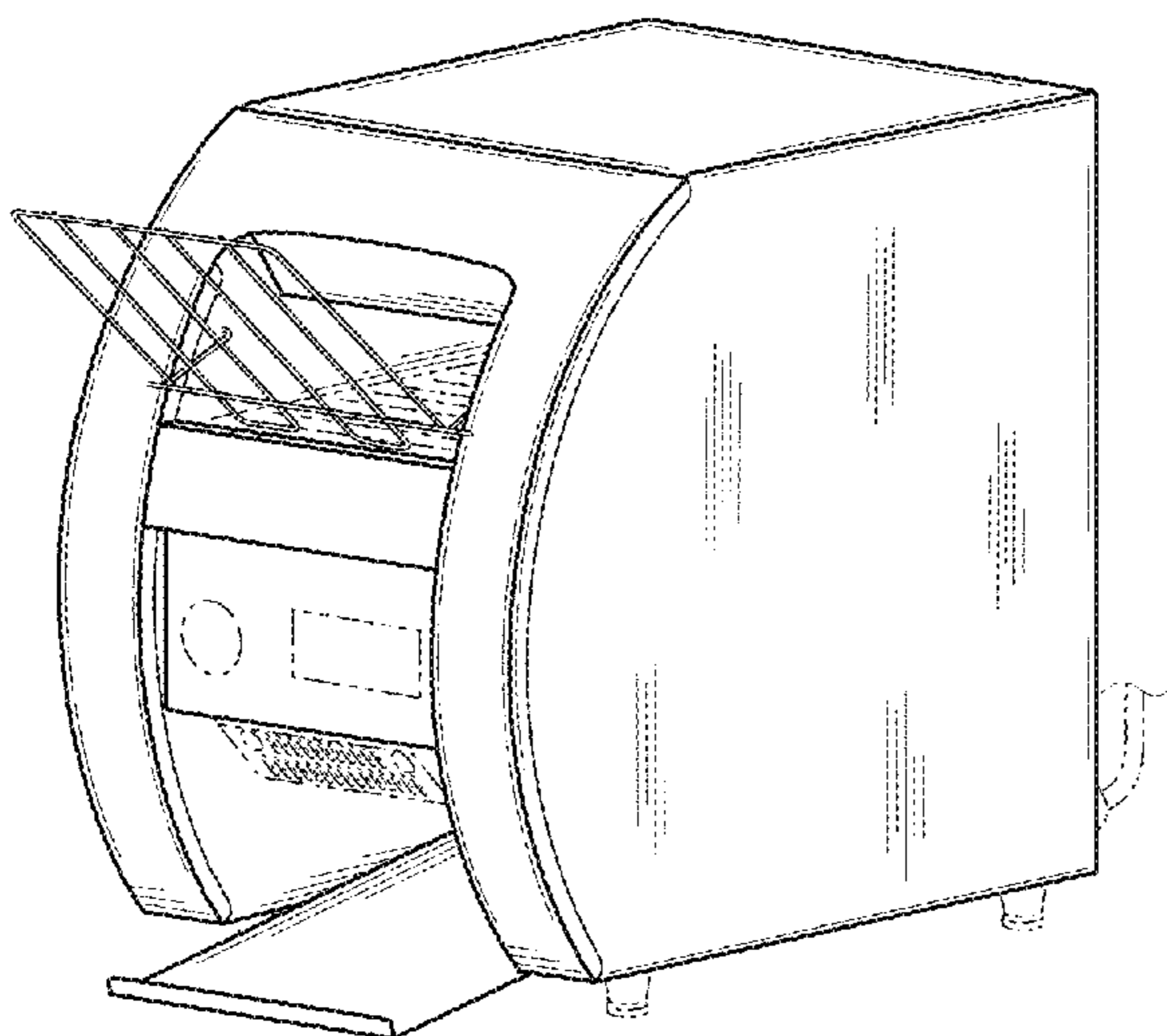
(57) **CLAIM**

The ornamental design for a cooking appliance, as shown and described.

DESCRIPTION

FIG. 1 is a perspective view of a first embodiment of the cooking appliance;
FIG. 2 is a right side elevation view thereof;
FIG. 3 is a left side elevation view thereof;
FIG. 4 is a front elevation view thereof;
FIG. 5 is a rear elevation view thereof;
FIG. 6 is a top plan view thereof;
FIG. 7 is a bottom plan view thereof;
FIG. 8 is a perspective view of a second embodiment of the cooking appliance;
FIG. 9 is a right side elevation view thereof;
FIG. 10 is a left side elevation view thereof;
FIG. 11 is a front elevation view thereof;
FIG. 12 is a rear elevation view thereof;
FIG. 13 is a top plan view thereof; and,
FIG. 14 is a bottom plan view thereof.
In the drawings, the portions shown in dash-dot-dash lines form no part of the claimed design.

1 Claim, 4 Drawing Sheets



(56)

References Cited

U.S. PATENT DOCUMENTS

3,693,538 A * 9/1972 Synder A47J 37/0635
 219/405
 4,044,660 A * 8/1977 Montague A47J 37/0857
 221/253
 4,238,668 A * 12/1980 Mammen F24C 7/00
 165/96
 D287,562 S * 1/1987 Takada D7/328
 D292,469 S * 10/1987 Nakagawa D7/350.4
 D318,775 S * 8/1991 Bonnet D7/350.3
 5,160,829 A * 11/1992 Chang A47J 37/0623
 126/21 A
 D347,762 S * 6/1994 Bannigan D7/323
 5,473,975 A * 12/1995 Bruno A47J 37/0857
 219/388
 D413,041 S * 8/1999 Lin-Yun D7/350.4
 D414,654 S * 10/1999 Epps D7/402
 D422,172 S * 4/2000 Hsu D7/337
 D423,280 S * 4/2000 Lin D7/337
 D425,749 S * 5/2000 Homayoun D7/350.4
 D425,754 S * 5/2000 Matteson 126/337 R
 6,076,453 A * 6/2000 Hsu A47J 37/041
 99/419
 D431,416 S * 10/2000 Holbrook D7/402
 D438,421 S * 3/2001 Su D7/350.1
 6,199,548 B1 * 3/2001 Hsu F24C 15/023
 126/190
 D451,333 S * 12/2001 Hsu D7/350.4
 D459,140 S * 6/2002 Bellerose D7/328
 D466,757 S * 12/2002 Hsu D7/350.1
 D476,844 S * 7/2003 Hsu D7/350.4
 D488,341 S * 4/2004 Enriquez D7/330

D501,356 S * 2/2005 Averty D7/350.4
 D532,644 S * 11/2006 Ball D7/350.1
 D568,669 S * 5/2008 Kizilbayir D7/328
 7,739,948 B2 * 6/2010 Backus A47J 37/04
 126/25 R
 D679,539 S * 4/2013 Gonzalez D7/350.4
 8,720,323 B2 * 5/2014 Douglas A47J 37/085
 219/411
 9,022,018 B2 * 5/2015 Hensel F24C 15/12
 126/332
 D768,425 S * 10/2016 Israni D7/350.2
 D772,637 S * 11/2016 Barquin D7/337
 9,480,364 B2 * 11/2016 McKee A47J 37/049
 9,560,853 B2 * 2/2017 Taslagyan A21B 1/48
 2006/0236873 A1 * 10/2006 Saunders A47J 37/049
 99/427
 2009/0139409 A1 * 6/2009 Hall A47J 37/0857
 99/326
 2011/0114634 A1 * 5/2011 Nevarez A47J 37/045
 219/725
 2011/0277643 A1 * 11/2011 Schwierking A47J 36/32
 99/331
 2012/0211334 A1 * 8/2012 Barnes A47J 37/045
 198/844.2
 2012/0234306 A1 * 9/2012 Walz A21B 3/02
 126/190
 2014/0144331 A1 * 5/2014 Hensel A47J 37/0635
 99/391
 2014/0246418 A1 * 9/2014 Ye A47J 37/08
 219/391
 2014/0311355 A1 * 10/2014 Hegarty A21B 1/40
 99/331

* cited by examiner

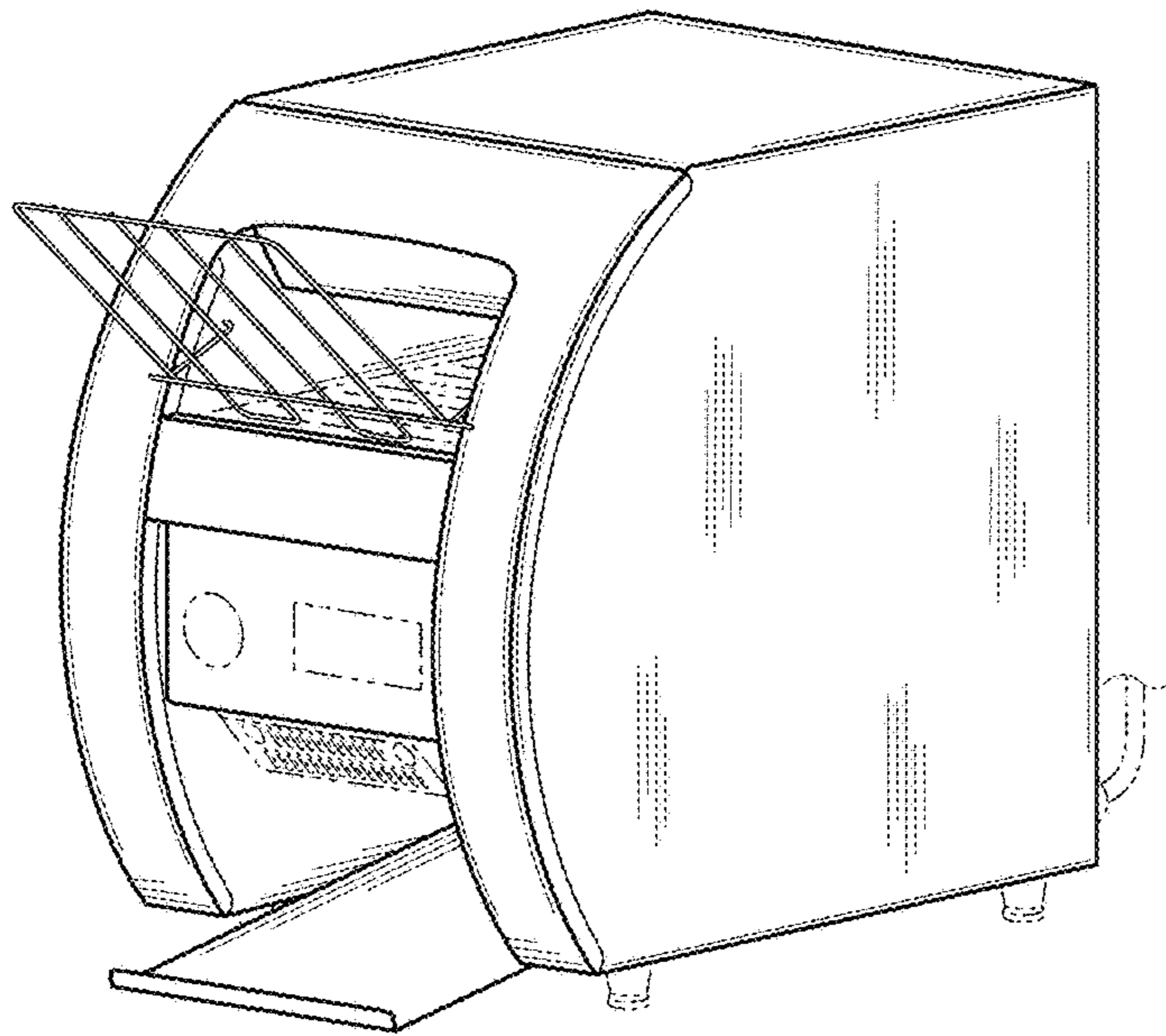


Fig. 1

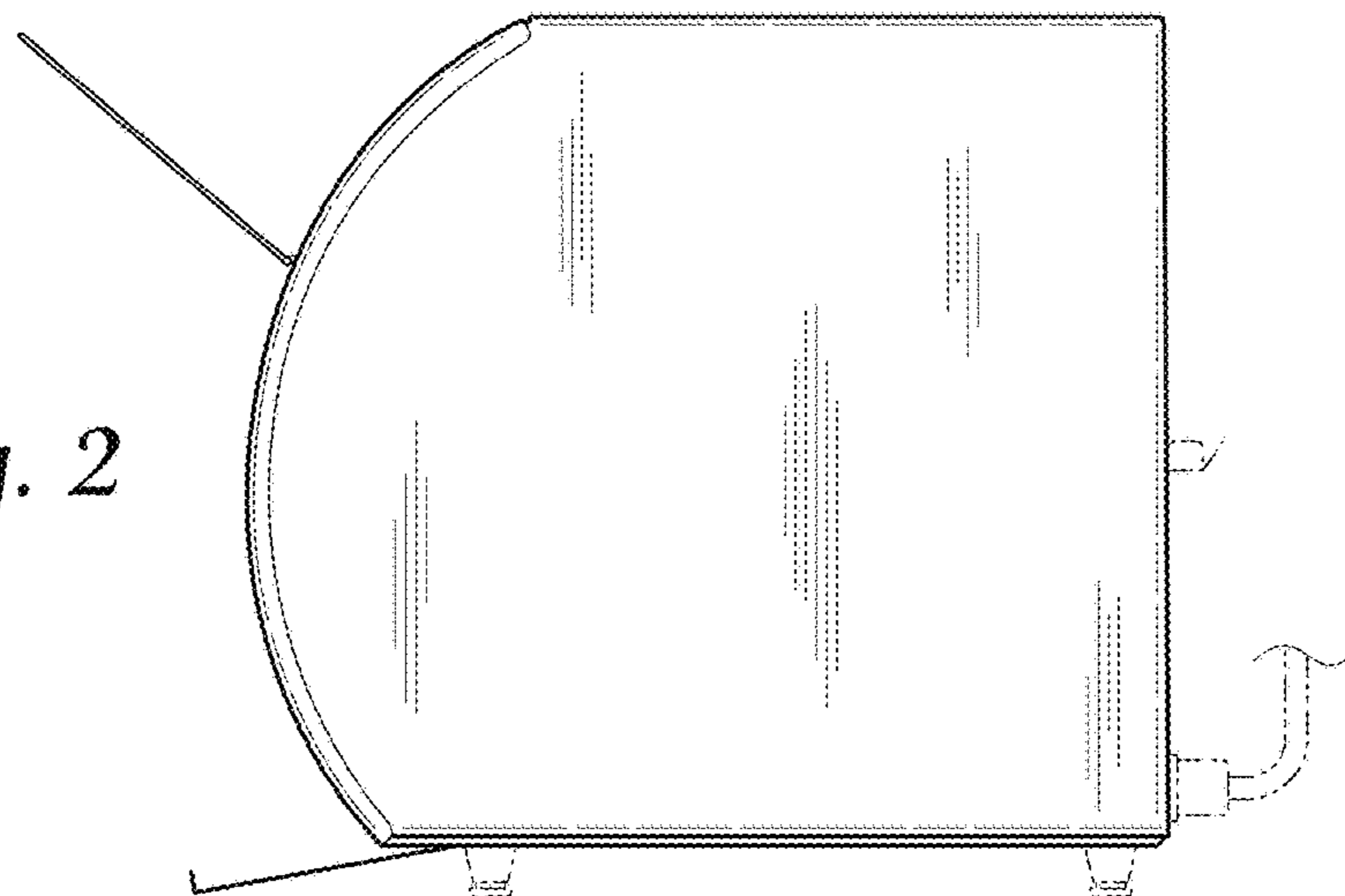


Fig. 2

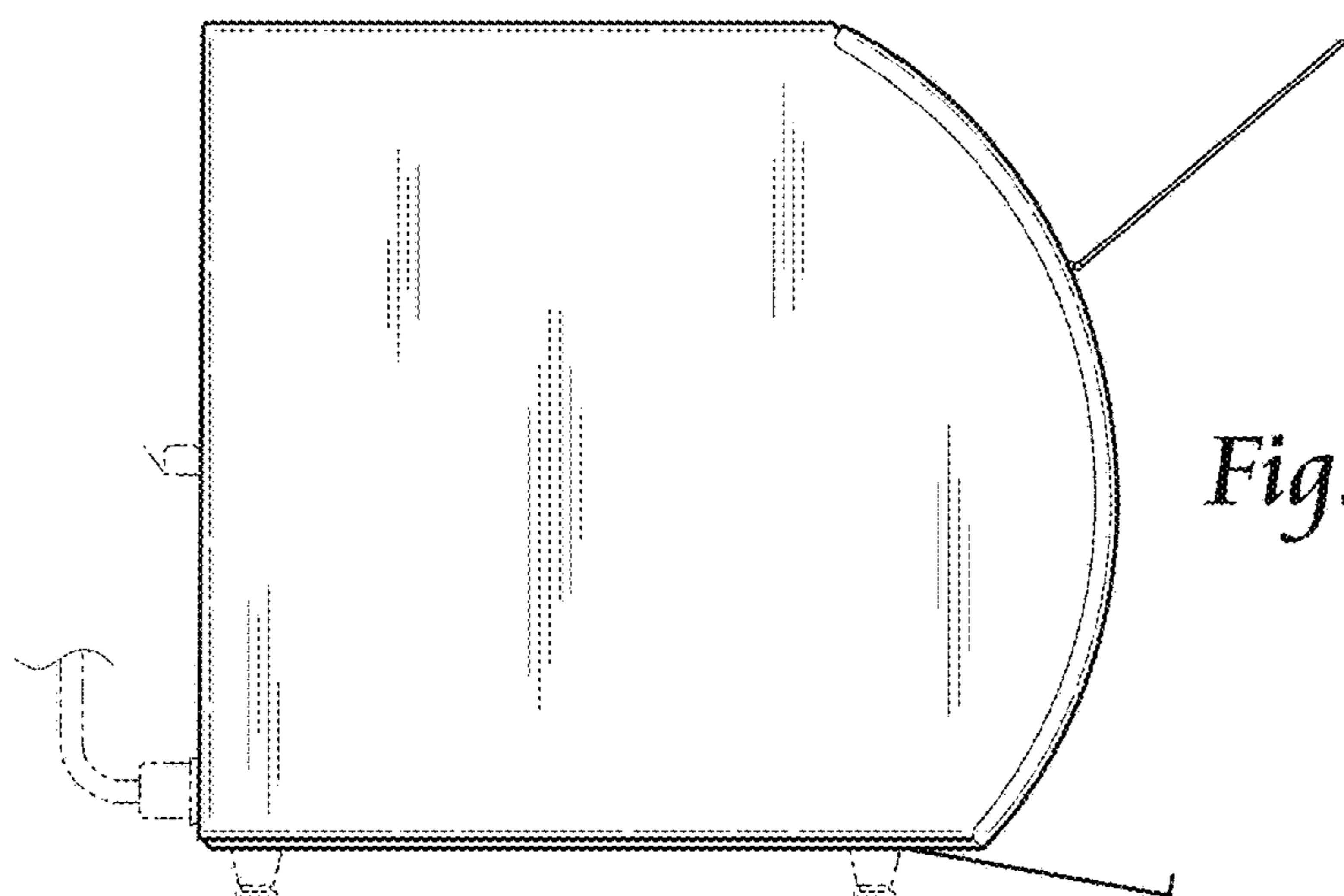


Fig. 3

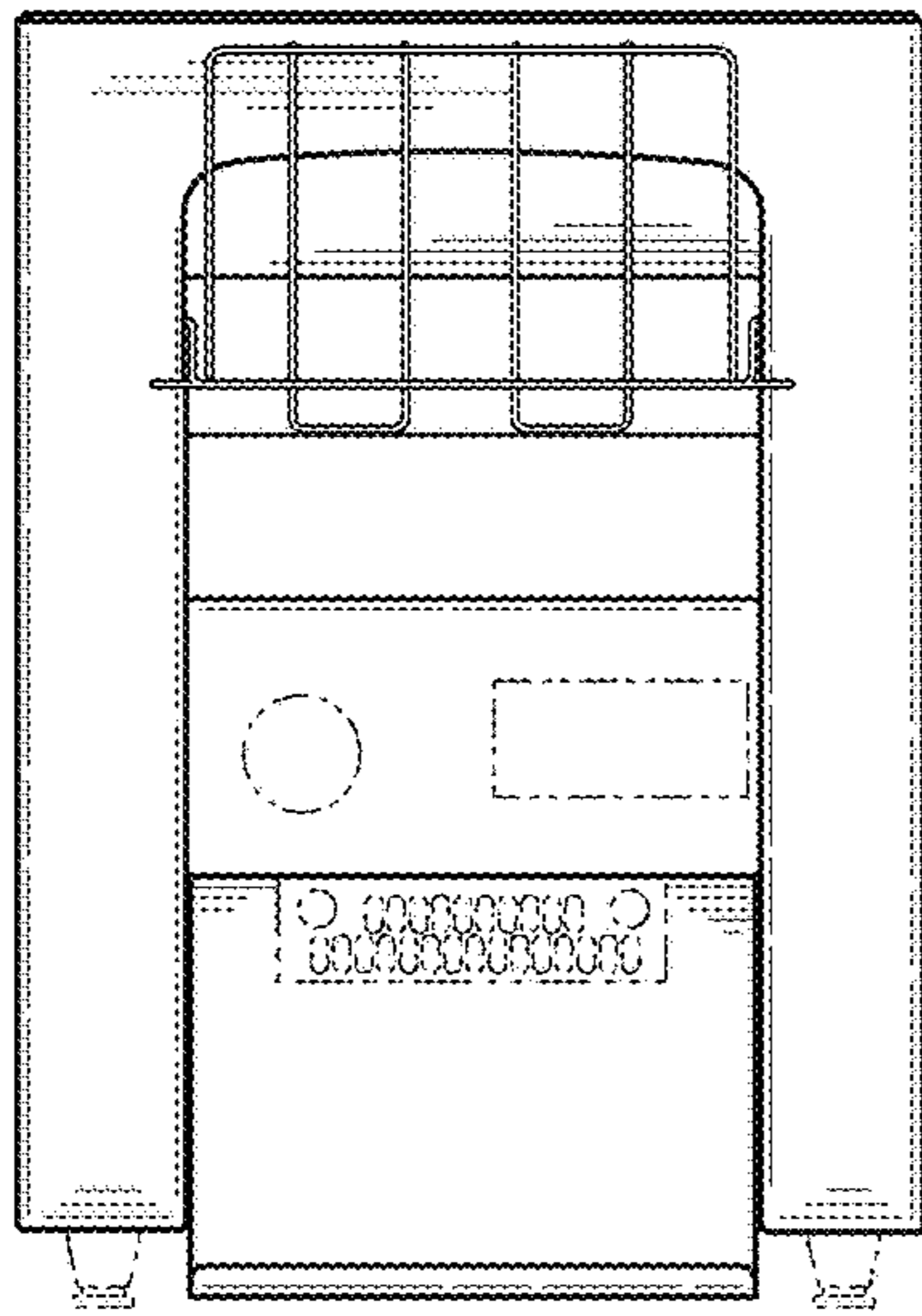


Fig. 4

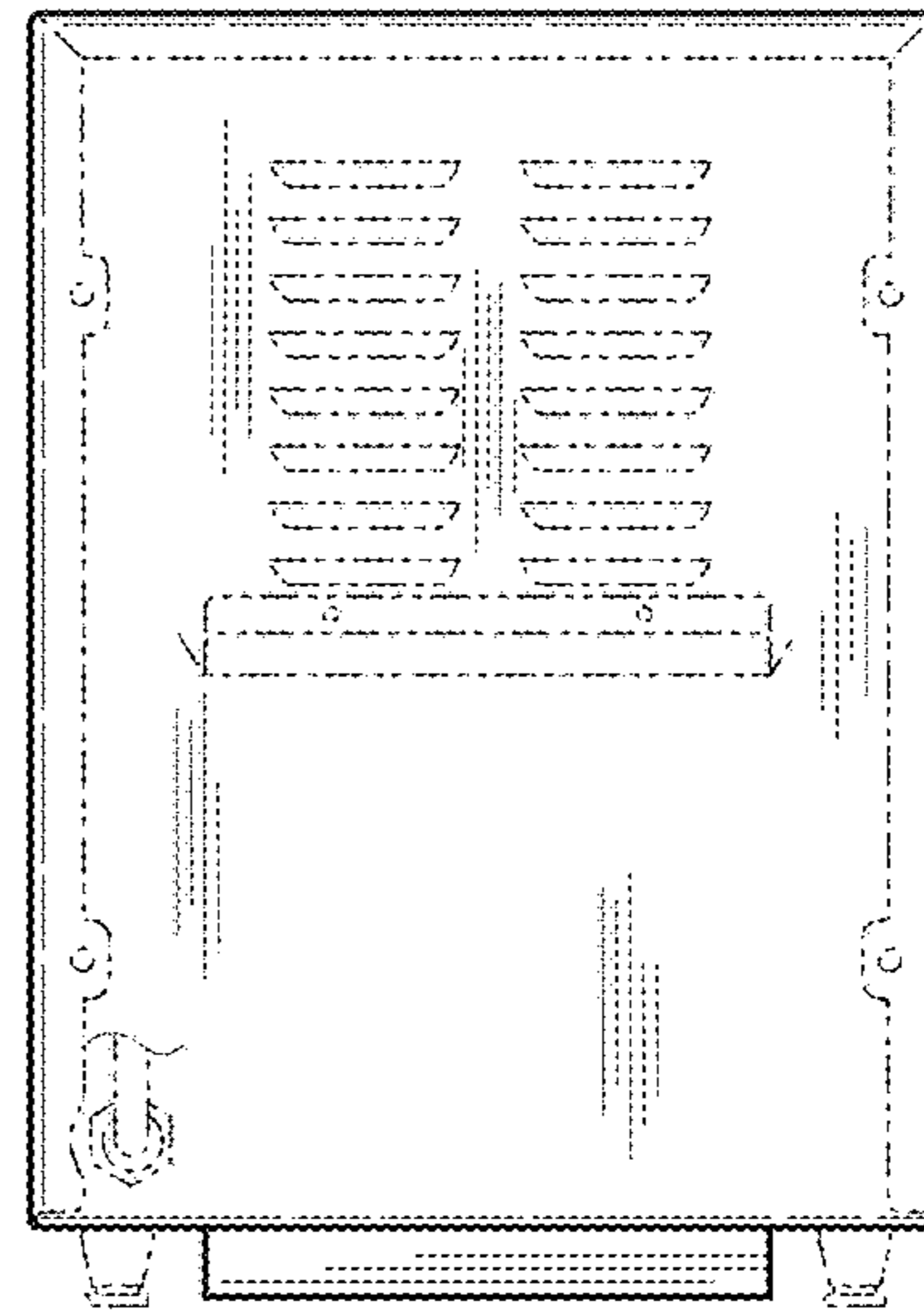


Fig. 5

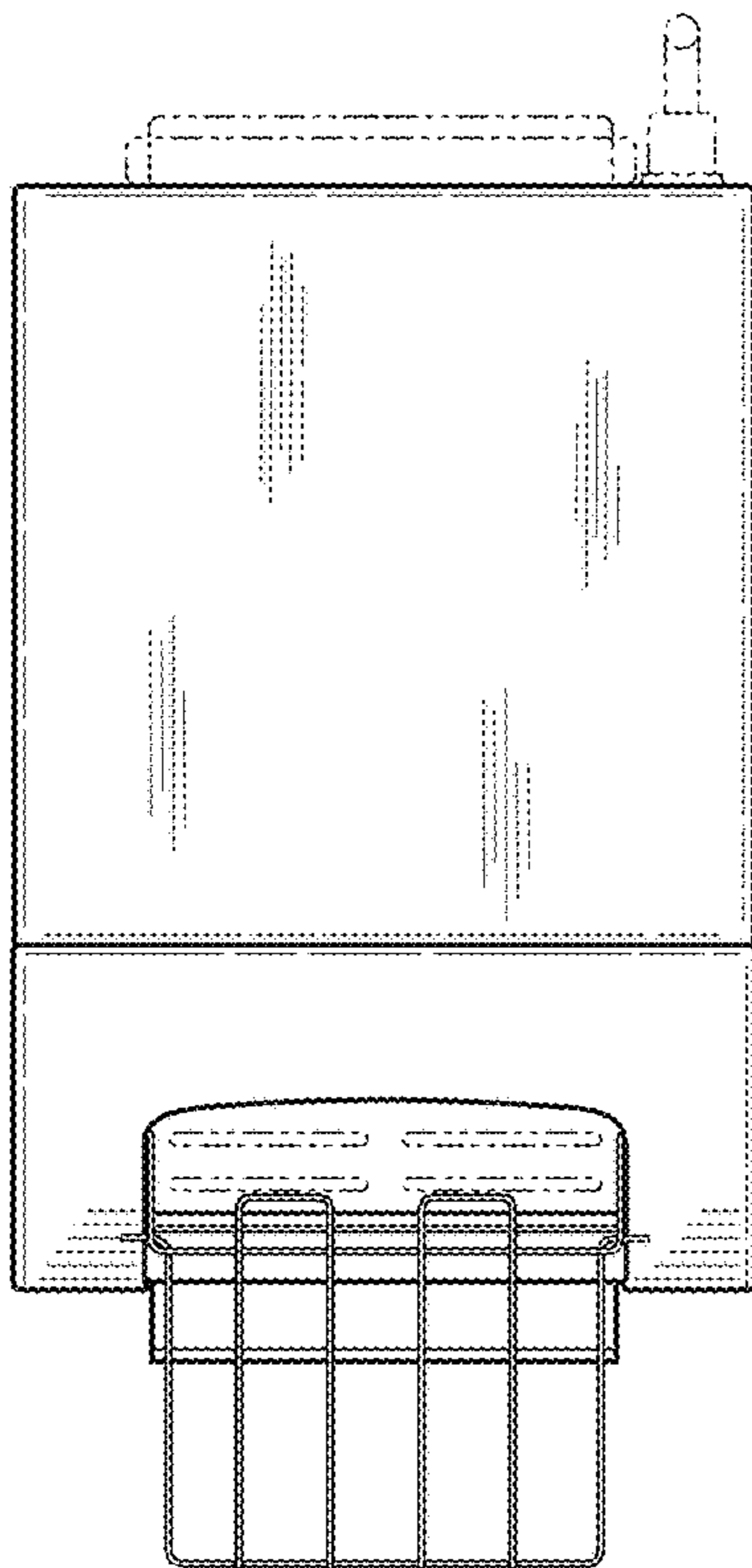


Fig. 6

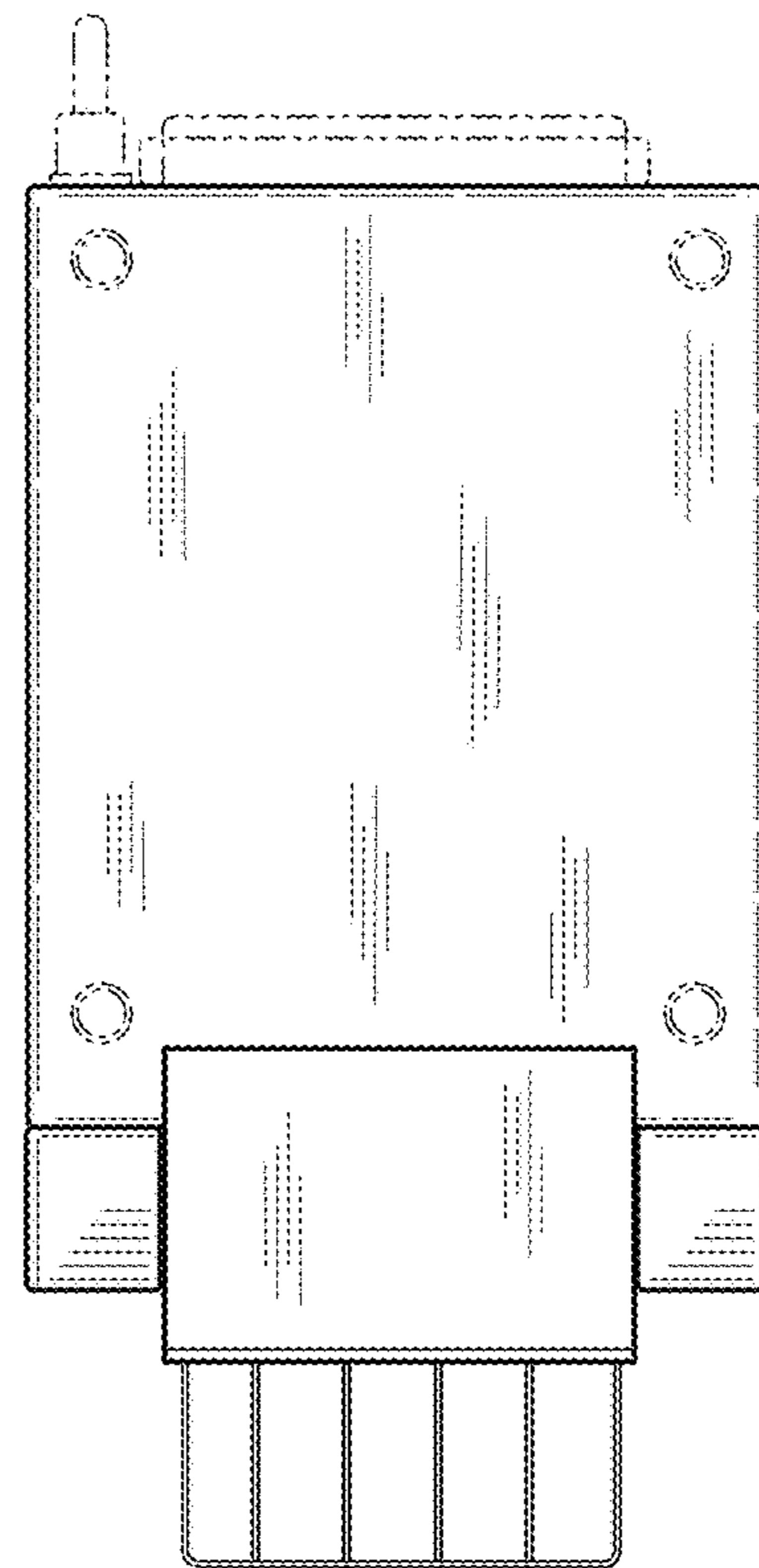


Fig. 7

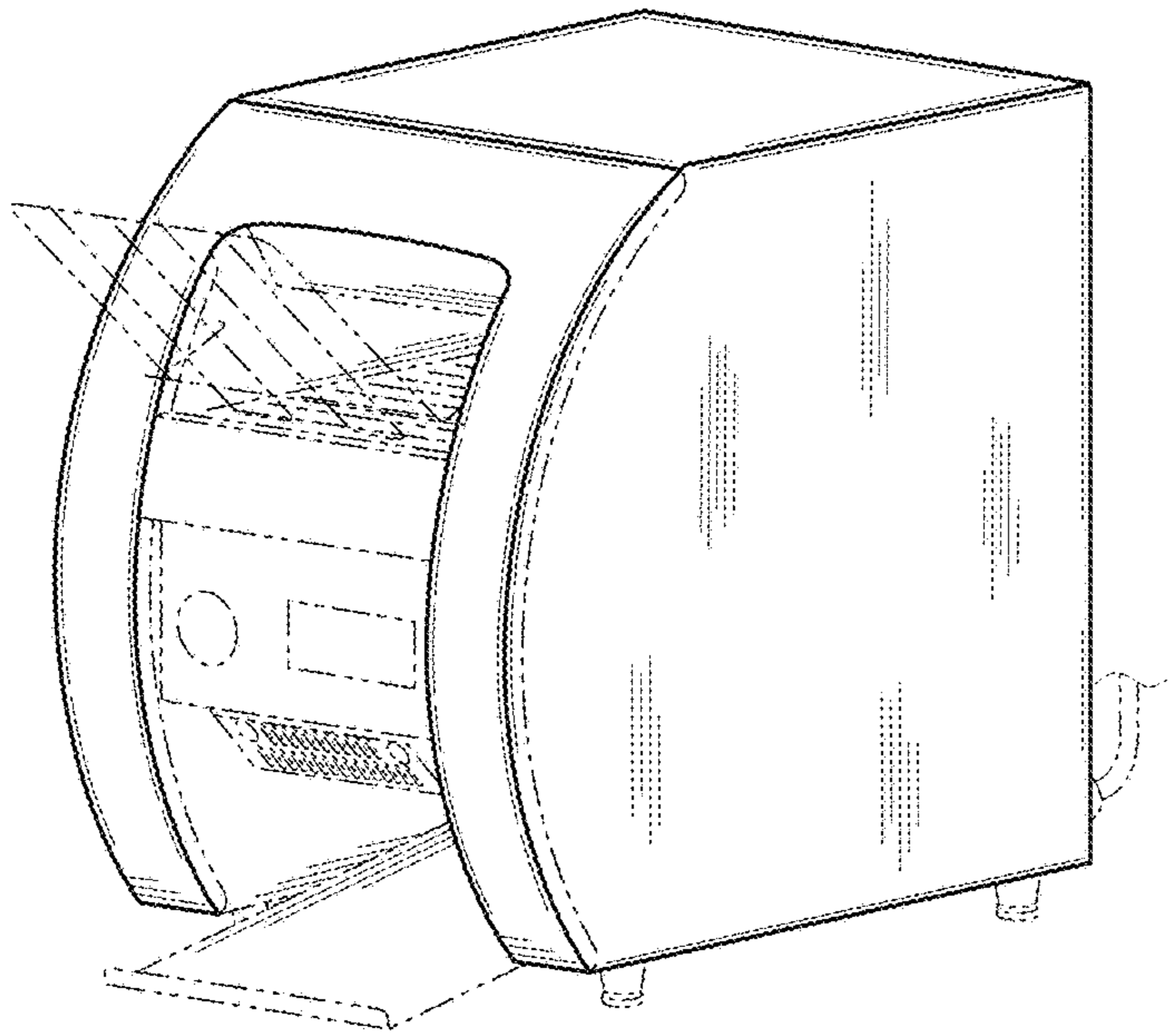


Fig. 8

Fig. 9

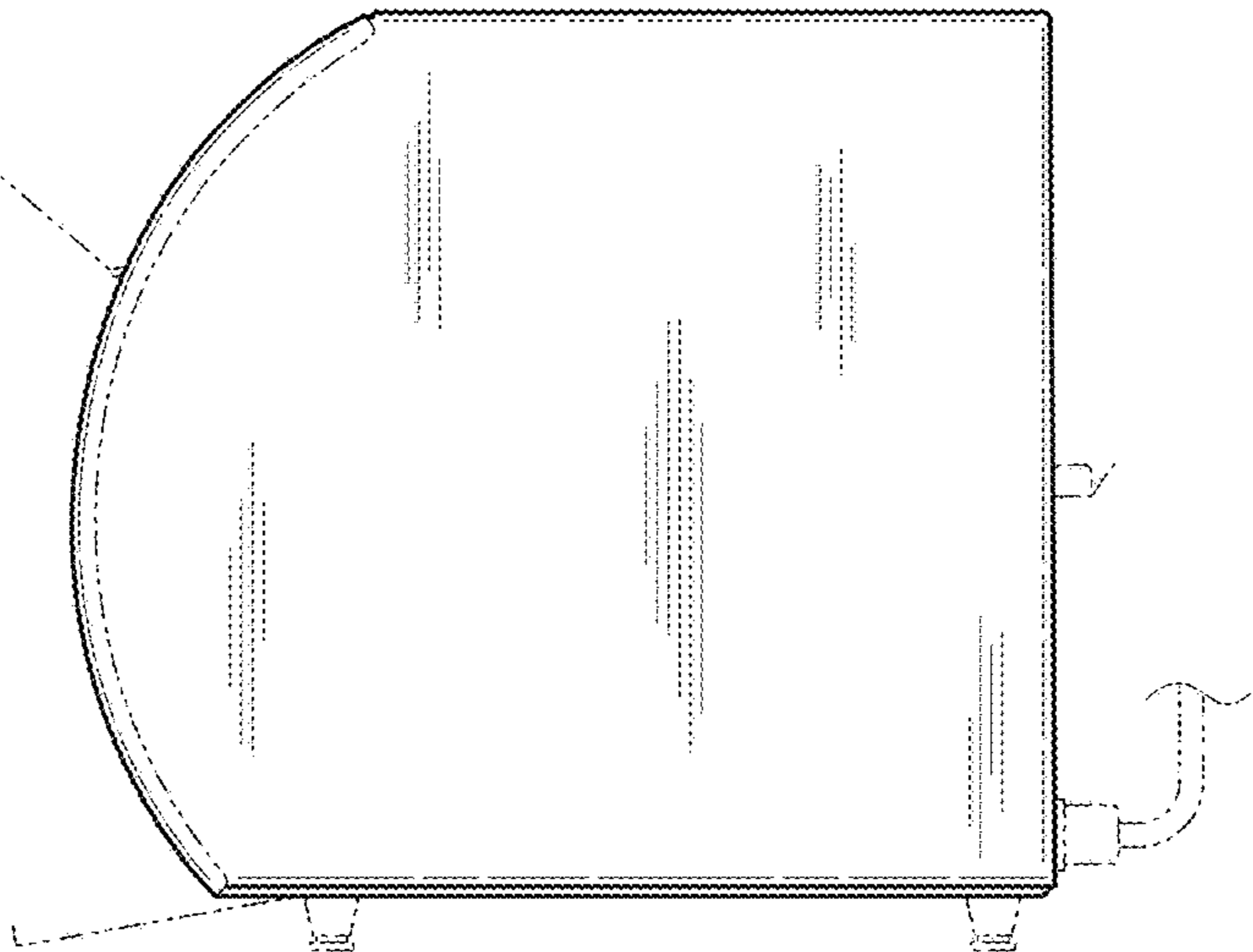
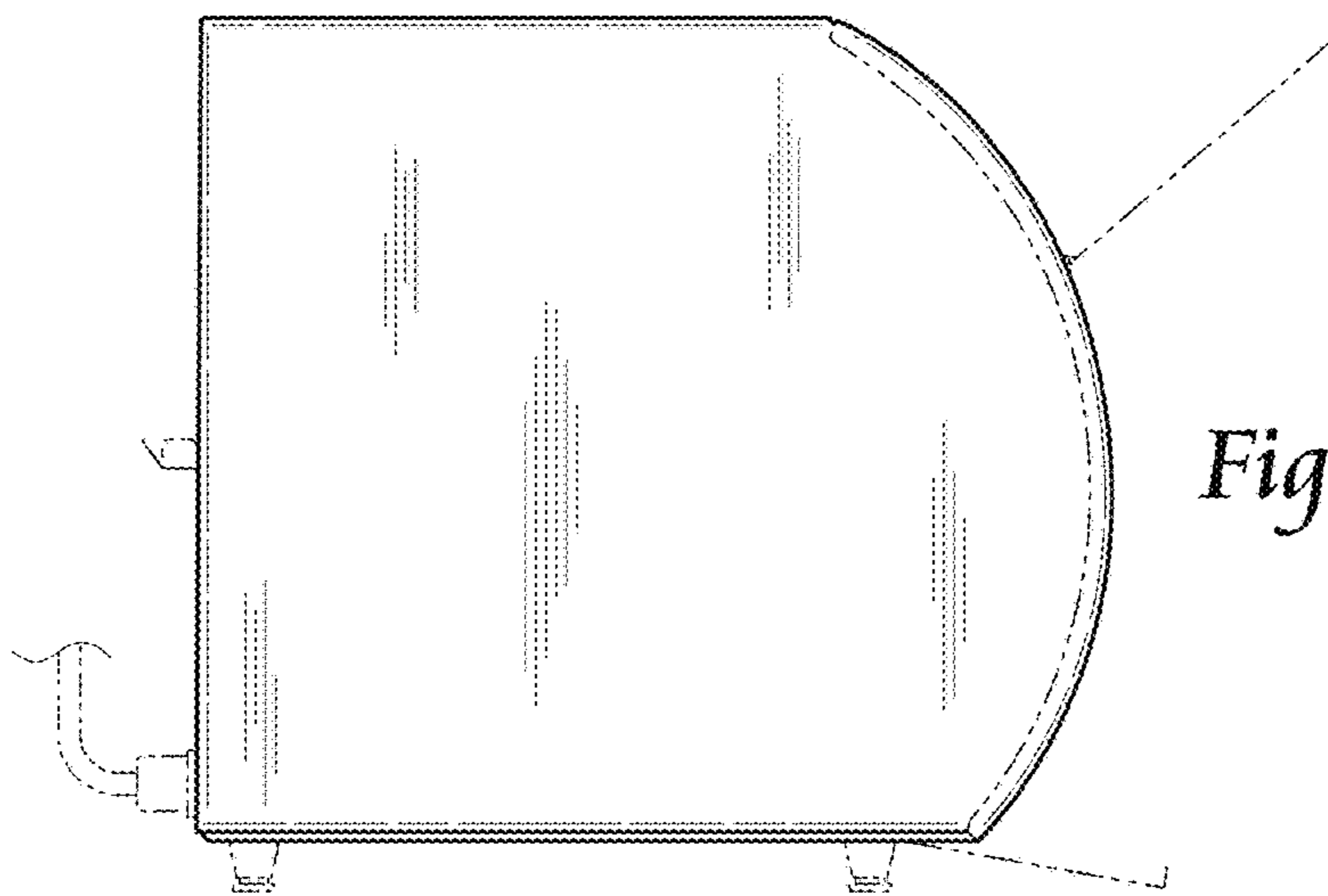


Fig. 10



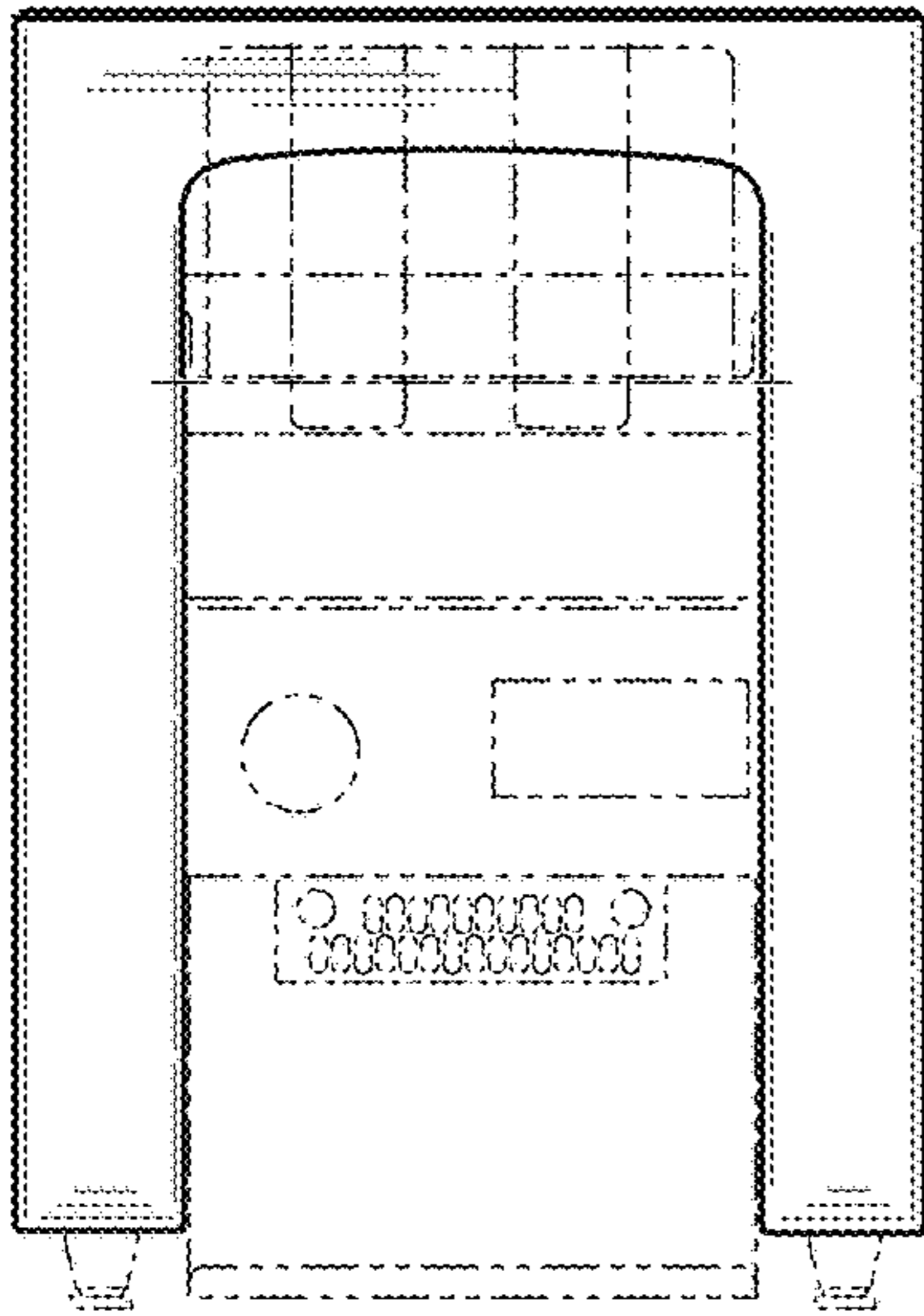


Fig. 11

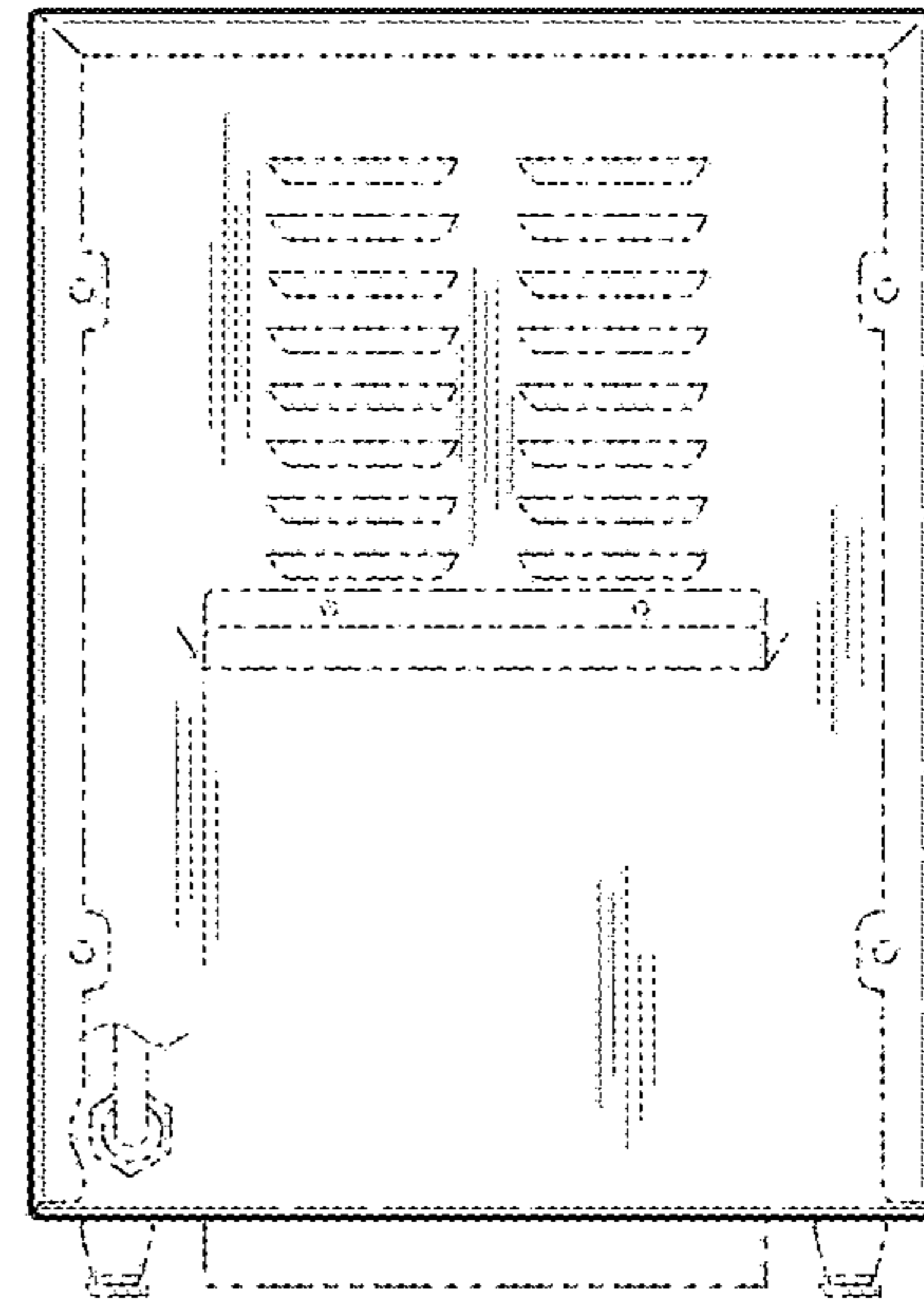


Fig. 12

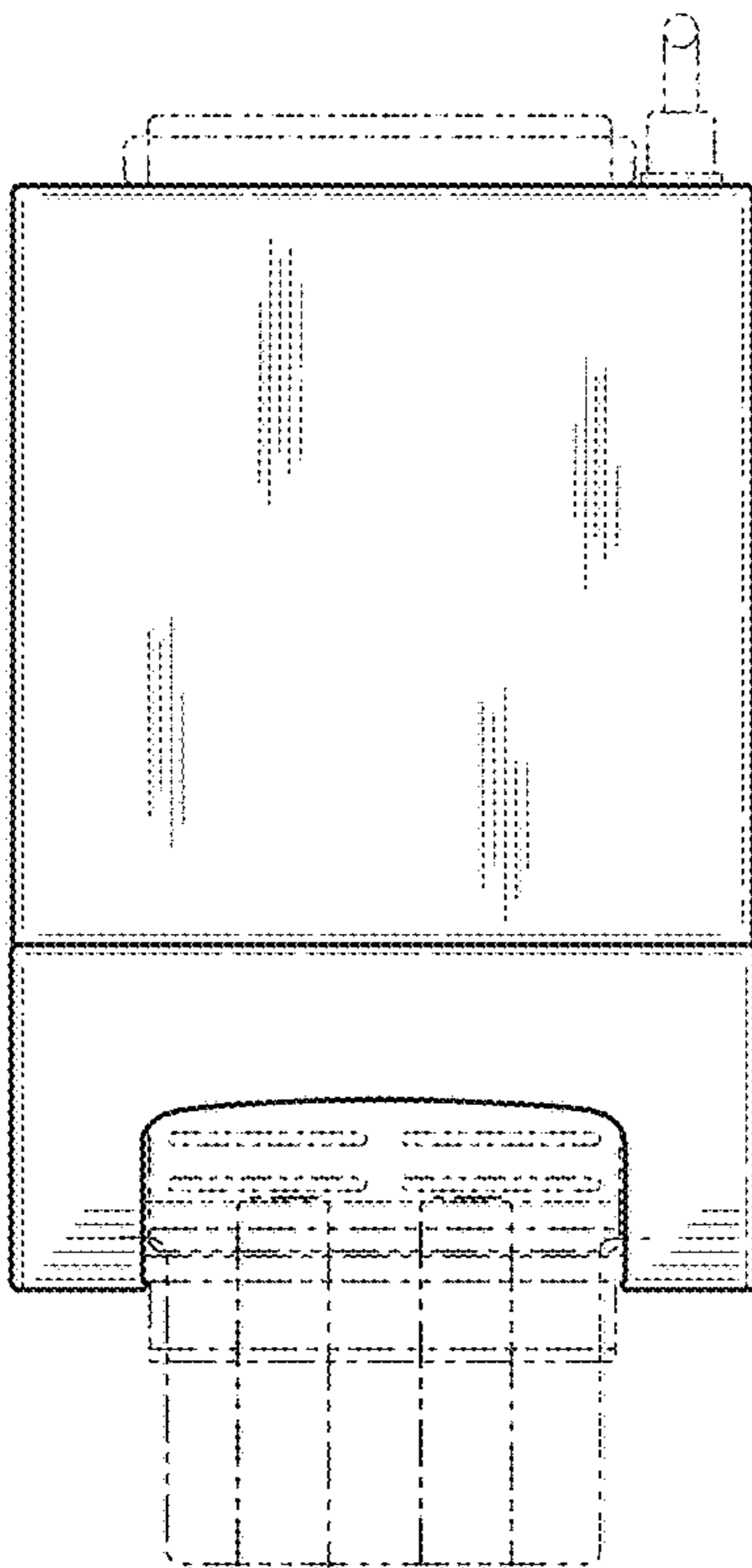


Fig. 13

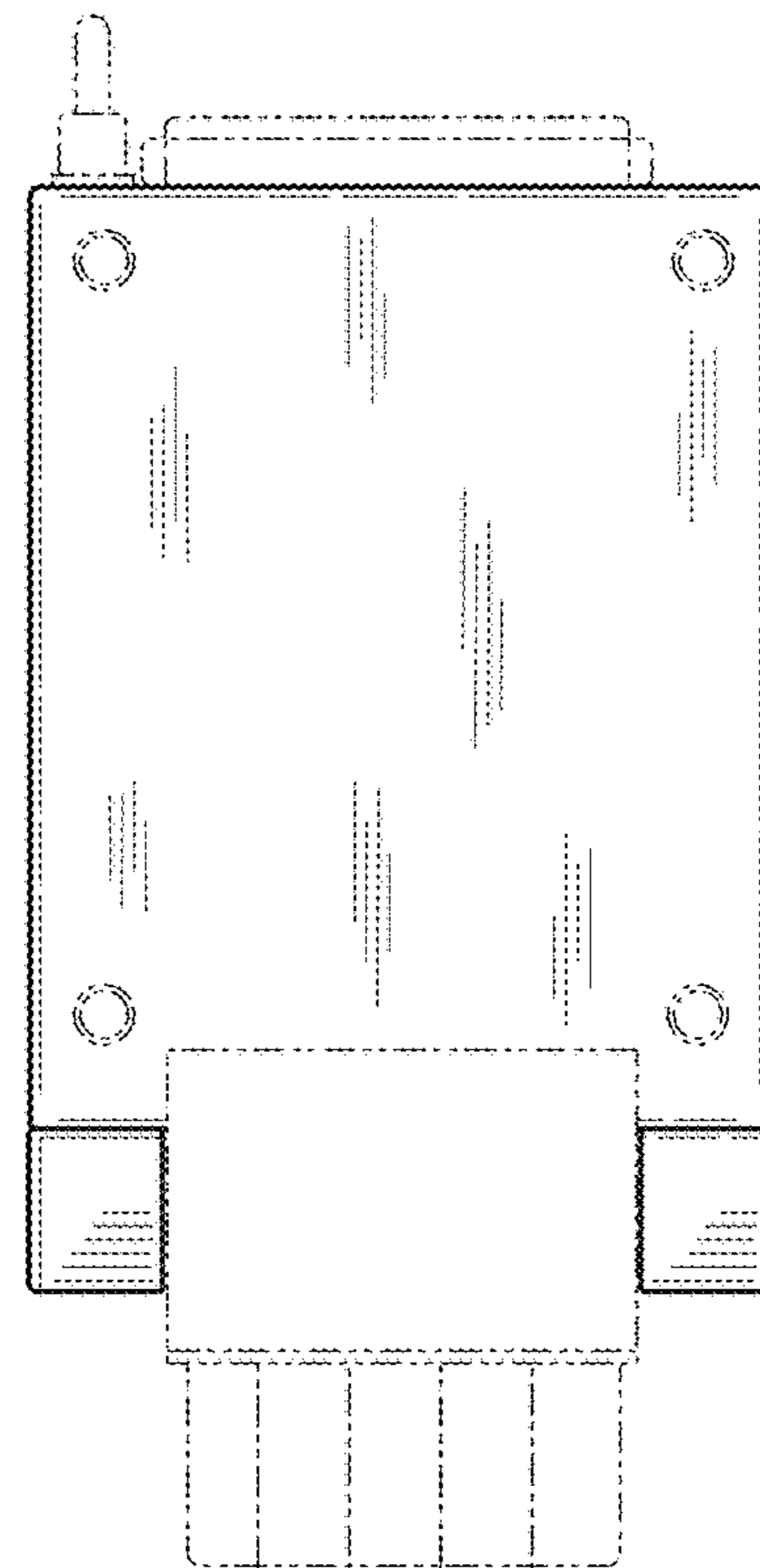


Fig. 14

UNITED STATES PATENT AND TRADEMARK OFFICE
CERTIFICATE OF CORRECTION

PATENT NO. : D802,983 S
APPLICATION NO. : 29/549930
DATED : November 21, 2017
INVENTOR(S) : Marc Gilpatric

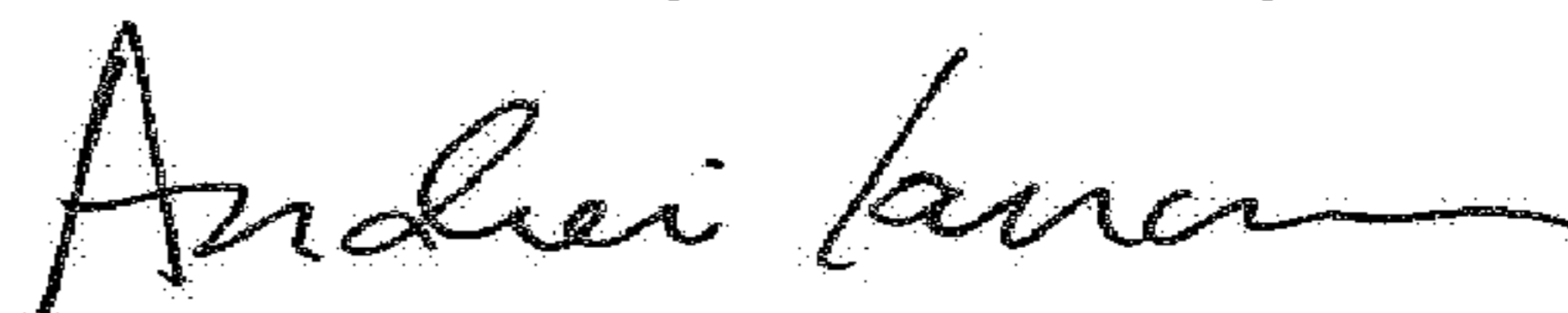
Page 1 of 1

It is certified that error appears in the above-identified patent and that said Letters Patent is hereby corrected as shown below:

On the Title Page

Item [57], Description, Line 17: delete "dash-dot-dash" and substitute with --dash-dot-dash--

Signed and Sealed this
Twentieth Day of February, 2018



Andrei Iancu
Director of the United States Patent and Trademark Office