



US00D802982S

(12) **United States Design Patent** (10) **Patent No.:** **US D802,982 S**
Vidojevic (45) **Date of Patent:** **** Nov. 21, 2017**

(54) **POPCORN POPPER**

(71) Applicant: **C. Cretors & Company**, Chicago, IL (US)

(72) Inventor: **Nenad Vidojevic**, Chesterton, IN (US)

(73) Assignee: **C. Cretors & Company**, Wood Dale, IL (US)

(**) Term: **15 Years**

(21) Appl. No.: **29/572,543**

(22) Filed: **Jul. 28, 2016**

Related U.S. Application Data

(63) Continuation of application No. 13/866,981, filed on Apr. 19, 2013.

(51) **LOC (10) Cl.** **31-00**

(52) **U.S. Cl.**

USPC **D7/325**

(58) **Field of Classification Search**

USPC D7/323, 325, 337, 339, 346-347, 350.1, D7/350.4, 354, 362, 376-377, 368, 384, D7/391, 602, 629; D15/19

CPC . A22C 5/00; A23L 1/01; A23L 1/0128; A23L 1/10; A23L 1/18; A23L 1/1802; A23L 1/1812; A23L 1/1815; A23L 1/1817; A23L 1/217; A23L 7/187; A23L 7/161; A23L 7/183; A23P 1/14; A23P 1/142; A23P 1/144; A23P 1/146; A23P 1/148; A47J 27/004; A47J 27/14; A47J 36/027; A47J 36/06; B01F 9/0021; B01F 7/162; B02C 18/08; B03B 5/56; B65D 81/34; B65D 81/3407; B65D 81/3446; B65D 81/3453; G07F 9/105; A23G 3/2092

See application file for complete search history.

(56) **References Cited**

U.S. PATENT DOCUMENTS

884,771 A	4/1908	Snow
1,251,291 A	12/1917	Scheffer
1,308,241 A	7/1919	Hutchinson
1,339,662 A	5/1920	Morgan
1,436,400 A	11/1922	Mabey
1,477,704 A	12/1923	Holcomb et al.
1,501,114 A	7/1924	Howe

(Continued)

FOREIGN PATENT DOCUMENTS

DE	8624682	12/1986
DE	20120429 U1	7/2002

(Continued)

OTHER PUBLICATIONS

“How to Succeed in the Caramel Corn Business,” Gold Medal Products Company, Copyright 2011, gmppopcorn.com, 24 pages.

(Continued)

Primary Examiner — Ricky Pham

(74) *Attorney, Agent, or Firm* — Perkins Coie LLP

(57)

CLAIM

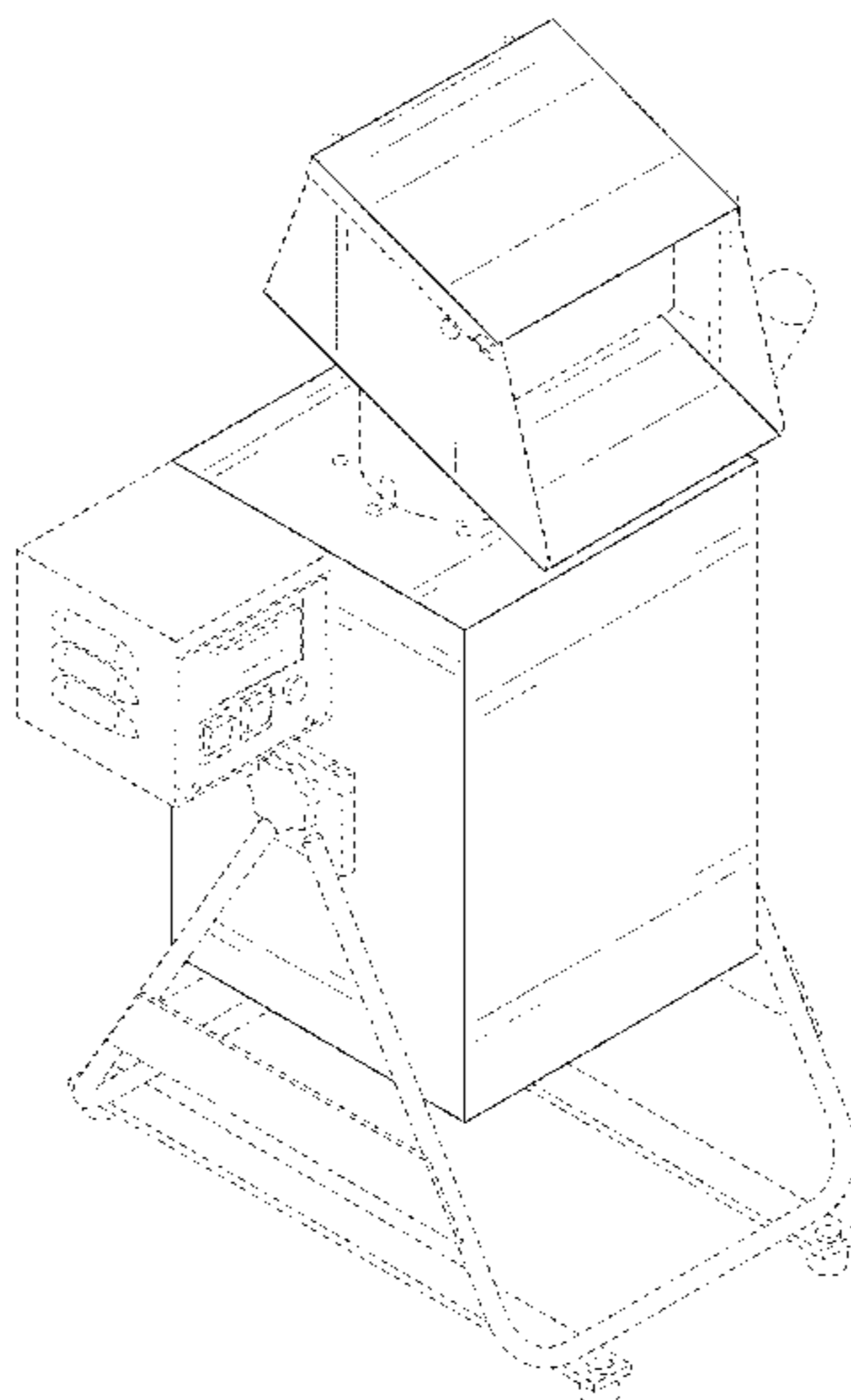
The ornamental design for a popcorn popper, as shown and described.

DESCRIPTION

FIG. 1 is a left isometric front view of a popcorn popper; FIG. 2 is a front view thereof; FIG. 3 is a right isometric front view thereof; FIG. 4 is a left isometric rear view thereof; FIG. 5 is a right side view thereof; FIG. 6 is a left side view thereof; and, FIG. 7 is a top plan view thereof.

The broken lines showing the arrangement of certain features of the device are for illustrative purposes only. The broken lines are environmental and form no part of the claimed design.

1 Claim, 7 Drawing Sheets



(56)	References Cited						
	U.S. PATENT DOCUMENTS						
1,525,966	A	2/1925	Vickers				
1,786,877	A *	12/1930	Thompson	A23L 7/187			
							99/323.9
1,880,822	A	10/1932	Cook et al.				
1,961,812	A	6/1934	Burch				
1,987,388	A	1/1935	Cretors				
2,123,663	A	7/1938	Roach				
2,198,152	A	4/1940	Cooley et al.				
2,232,954	A	2/1941	Manley				
2,248,812	A	7/1941	Cretors				
2,467,866	A	4/1949	Smolderen et al.				
2,477,416	A *	7/1949	Page	A23L 7/187			
							366/185
2,537,744	A	1/1951	Cretors				
2,549,449	A	4/1951	Gibson				
2,570,126	A	10/1951	Hobbs				
2,575,643	A	11/1951	Tamsen				
2,586,347	A	2/1952	Kloster				
2,654,823	A	10/1953	Altemiller				
2,812,704	A	11/1957	Hawks				
2,856,841	A	10/1958	Cretors et al.				
2,858,761	A	11/1958	Denniss				
2,907,264	A	10/1959	Bushway				
2,918,956	A *	12/1959	Otto	B02C 18/08			
							241/199.9
2,939,379	A	6/1960	Schmitt				
2,984,169	A	5/1961	Bushway				
3,095,326	A	6/1963	Green et al.				
D196,811	S *	11/1963	Lasar	D7/376			
3,120,168	A	2/1964	Lippert				
3,140,952	A	7/1964	Cretors				
3,251,579	A *	5/1966	Lasar	A22C 5/00			
							366/185
3,280,720	A	10/1966	Kuhn				
3,291,304	A *	12/1966	Fuchs	B03B 5/56			
							134/118
3,421,475	A	1/1969	Evans et al.				
3,450,068	A	6/1969	Temple				
3,512,989	A	5/1970	Smith				
3,554,115	A	1/1971	Manley et al.				
3,568,782	A	3/1971	Cox				
3,697,289	A	10/1972	Day et al.				
3,739,953	A	6/1973	Cretors				
3,783,854	A	1/1974	Hurko et al.				
3,812,774	A	5/1974	Day et al.				
3,930,996	A	1/1976	Day et al.				
4,120,236	A	10/1978	Blomberg				
4,152,974	A	5/1979	Tienor				
4,165,620	A	8/1979	Gehauf nee Kiesel et al.				
4,173,925	A *	11/1979	Leon	A47J 27/14			
							219/389
4,178,843	A	12/1979	Crabtree et al.				
4,182,229	A *	1/1980	Vandewalker	A23L 7/187			
							222/214
4,206,695	A	6/1980	Cretors				
4,288,686	A	9/1981	Cretors				
4,289,079	A	9/1981	Swistun				
4,329,068	A *	5/1982	Neuner	B01F 9/0021			
							366/214
4,331,124	A	5/1982	Seidel et al.				
4,337,584	A	7/1982	Johnson				
4,438,682	A	3/1984	King et al.				
4,494,314	A	1/1985	Gell, Jr.				
4,512,247	A	4/1985	Friedman				
D285,404	S *	9/1986	Wang	D7/377			
4,648,719	A *	3/1987	Roben	B01F 7/162			
							241/46.17
4,649,263	A	3/1987	Goodlaxson				
4,702,158	A	10/1987	Ishihara				
D294,448	S *	3/1988	Otto	D7/368			
4,763,568	A	8/1988	Kiczek				
4,881,457	A	11/1989	Lyga et al.				
5,033,363	A	7/1991	King et al.				
5,035,173	A *	7/1991	Stein	A23L 7/183			
							99/323.7
5,046,481	A	9/1991	Warwick				
5,069,923	A	12/1991	Hubbard et al.				
5,083,505	A	1/1992	Kohlstrung et al.				
5,154,161	A	10/1992	Rogers et al.				
5,176,069	A	1/1993	Chen				
5,180,898	A	1/1993	Alden et al.				
5,203,256	A	4/1993	Mueller				
5,263,405	A	11/1993	Simon				
5,301,601	A *	4/1994	Cretors	A23L 7/187			
							222/105
5,311,930	A	5/1994	Bruenn				
5,315,919	A	5/1994	Hoeberigs				
5,332,102	A	7/1994	Sennett et al.				
5,339,726	A	8/1994	Poulson				
5,397,219	A	3/1995	Cretors				
5,417,148	A	5/1995	Cavallo				
5,419,239	A	5/1995	Covington et al.				
5,445,073	A	8/1995	Gilwood				
5,501,139	A	3/1996	Lee et al.				
5,513,558	A	5/1996	Erickson et al.				
5,539,671	A	7/1996	Albrecht et al.				
5,555,792	A	9/1996	Stein et al.				
5,579,681	A	12/1996	Ubert et al.				
5,590,582	A	1/1997	Weiss				
5,605,091	A	2/1997	Garber				
5,662,024	A	9/1997	Cretors et al.				
D384,548	S *	10/1997	Hsieh	D7/376			
5,690,018	A	11/1997	Hansen				
5,694,830	A	12/1997	Hodgson et al.				
5,699,720	A *	12/1997	Stein	G07F 9/105			
							99/323.5
5,743,172	A	4/1998	Weiss et al.				
5,771,779	A	6/1998	Stein et al.				
5,782,165	A	7/1998	Glenboski et al.				
5,787,798	A	8/1998	Stein et al.				
5,871,792	A	2/1999	Weiss et al.				
5,979,301	A	11/1999	Perttola				
6,000,318	A	12/1999	Weiss et al.				
6,021,707	A *	2/2000	Bauer	A47J 27/14			
							414/421
D426,422	S *	6/2000	Otto	D7/376			
6,098,526	A	8/2000	Stein et al.				
6,123,011	A	9/2000	Cretors				
6,164,192	A *	12/2000	Stein	G07F 9/105			
							99/323.5
6,164,193	A	12/2000	Perttola				
6,234,063	B1	5/2001	Evers et al.				
6,374,727	B1	4/2002	Cretors				
6,382,087	B1	5/2002	Liyama				
6,412,395	B1	7/2002	Weiss et al.				
6,412,396	B1	7/2002	Wright				
6,460,451	B1	10/2002	Helman et al.				
6,461,033	B2	10/2002	Palmer et al.				
6,534,103	B2	3/2003	Weiss				
6,578,468	B1	6/2003	Horn				
6,612,225	B1	9/2003	Mann				
6,669,304	B2	12/2003	Binning				
6,672,201	B2	1/2004	Evans, Sr. et al.				
6,872,923	B2	3/2005	Cretors et al.				
6,914,226	B2	7/2005	Ottaway				
7,082,891	B2 *	8/2006	Watson	A23G 3/2092			
							118/19
7,259,357	B2	8/2007	Walker				
7,285,300	B1	10/2007	Allington et al.				
7,874,244	B2	1/2011	Rhome				
8,011,622	B1	9/2011	Guthrie				
8,201,492	B2 *	6/2012	Cretors	A23L 7/161			
							99/323.9
D672,789	S *	12/2012	Bongiovanni	D15/19			
8,464,634	B2	6/2013	Cretors et al.				
8,651,014	B2	2/2014	Vidojevic et al.				
8,794,129	B2	8/2014	Cretors				
8,869,679	B2	10/2014	Ryan et al.				
9,144,247	B2	9/2015	Cretors				
9,408,496	B2	8/2016	Cretors				
2002/0147006	A1	10/2002	Coon et al.				
2003/0159591	A1	8/2003	Evans et al.				

(56)

References Cited

U.S. PATENT DOCUMENTS

2003/0168438	A1	9/2003	Zhou	
2004/0045444	A1	3/2004	Mann	
2004/0074397	A1	4/2004	Calhoun	
2004/0265993	A1	12/2004	Darling et al.	
2005/0056154	A1	3/2005	Fu	
2006/0149415	A1	7/2006	Richards	
2009/0041915	A1	2/2009	Biechteler	
2009/0056558	A1	3/2009	Cretors et al.	
2009/0126579	A1	5/2009	Cretors et al.	
2009/0145242	A1	6/2009	Pryor, Jr. et al.	
2009/0208621	A1	8/2009	Dotan	
2009/0223378	A1	9/2009	Cretors	
2010/0270282	A1	10/2010	Fernandez et al.	
2011/0014340	A1	1/2011	Spitzley et al.	
2011/0076372	A1	3/2011	Cretors	
2011/0076373	A1	3/2011	Cretors et al.	
2011/0083562	A1	4/2011	Ryan et al.	
2011/0120317	A1	5/2011	Rhome	
2012/0266756	A1	10/2012	Cretors	
2013/0022727	A1	1/2013	Sherwin	
2013/0276640	A1	10/2013	Cretors	
2013/0276641	A1*	10/2013	Vidojevic A23L 1/1812 99/323.5
2013/0280386	A1	10/2013	Cretors	
2015/0064320	A1	3/2015	Cretors	

FOREIGN PATENT DOCUMENTS

EP	0364071	4/1990
FR	2401387	3/1979
GB	0688223	3/1953
GB	717654	10/1954
JP	559135849	8/1984

JP	2006081587	A	3/2006
WO	WO-9310698		6/1993
WO	WO-9706699	A1	2/1997
WO	WO-2004054384	A1	7/2004
WO	WO-2012145717	A1	10/2012

OTHER PUBLICATIONS

C. Cretors and Co., "Diplomat" product manual for models DI20C, DI32C, DI20F, DI32F, DI205, TDI205, TDI206, DI325 and TDI326; 1996, 58 pages.

C. Cretors and Co., "Diplomat" product manual for models DI20CP, DI32CP, DI20FP and DI32FP; 1989, 62 pages.

C. Cretors and Co., Multi-product sell sheet for "The New Diplomat Counter Showcase" and "Thunder Kettle" for models G48E, EPR48E5 and PR48E5; dated 1990, 2 pages.

Cretors Coater Mixer Tumbler, http://www.cretors.com/store/catalog.asp?item=39&category_id=3, Copyright 2014, 1 page.

Gold Medal Products Co., "Funfood Equipment & Supplies" catalog; vol. 56, dated 2000, 108 pages.

Loeb Equipment 20 Gallon Groen Model DNTA20 Twin Scrape Agitated Jacketed Kettle; www.loebequipment.com, Oct. 31, 2011, 1 page.

Proctor Companies; "Concession Stands and Equipment" catalog, vol. 3, 1996, 84 pages.

Proctor Companies; Equipment Catalog, 1992, 33 pages.

Suspended Poppers: 20 oz., 32 oz., 48 oz., 60 oz., C. Cretors and Company, published Nov. 2004, 6 pages.

Topping & Dispensing Systems, C. Cretors and Company Product Brochure, pp. 36-39, published Oct. 2005, 5 pages.

Topping Systems, C. Cretors and Company, published Nov. 2003, 2 pages.

* cited by examiner

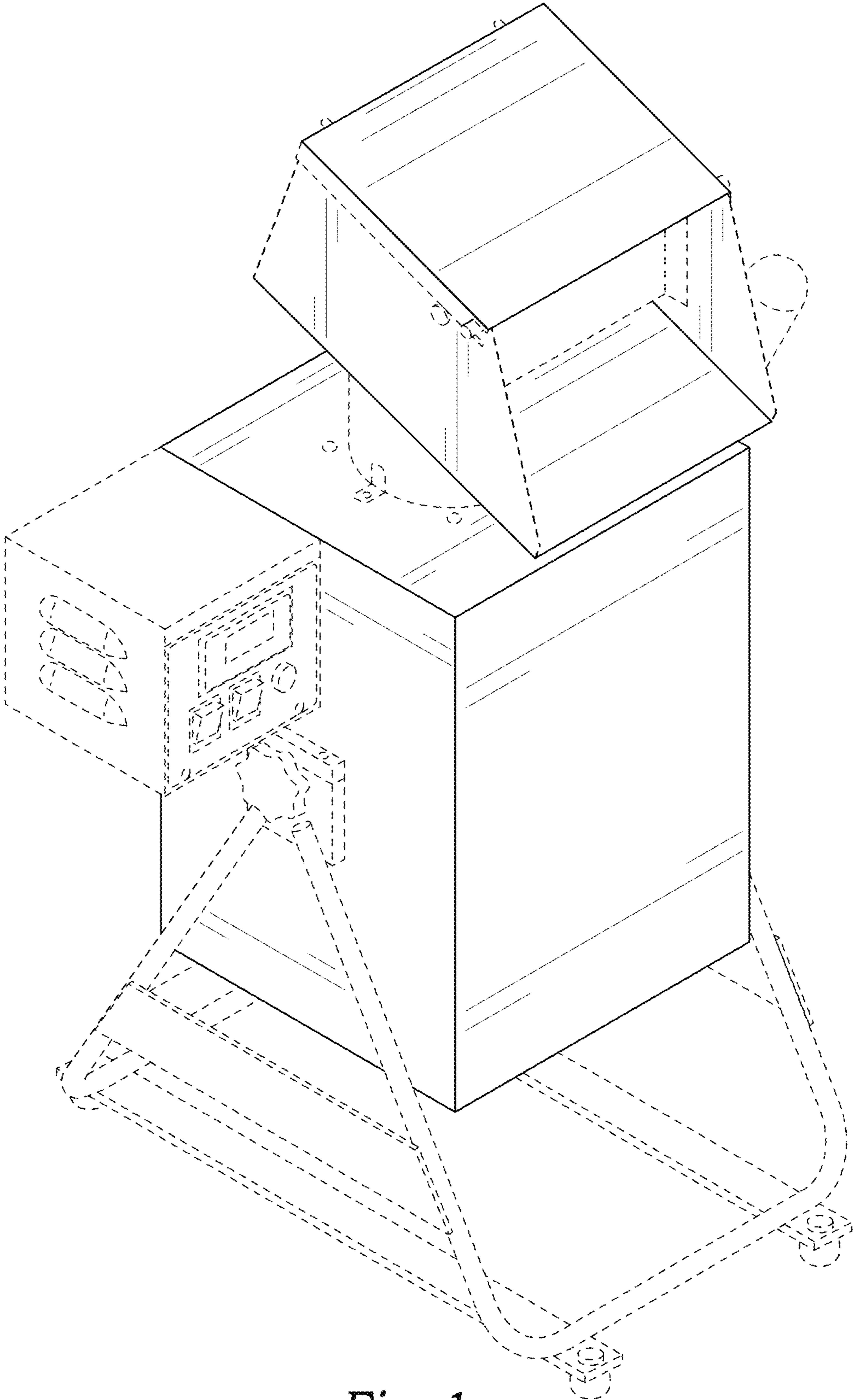


Fig. 1

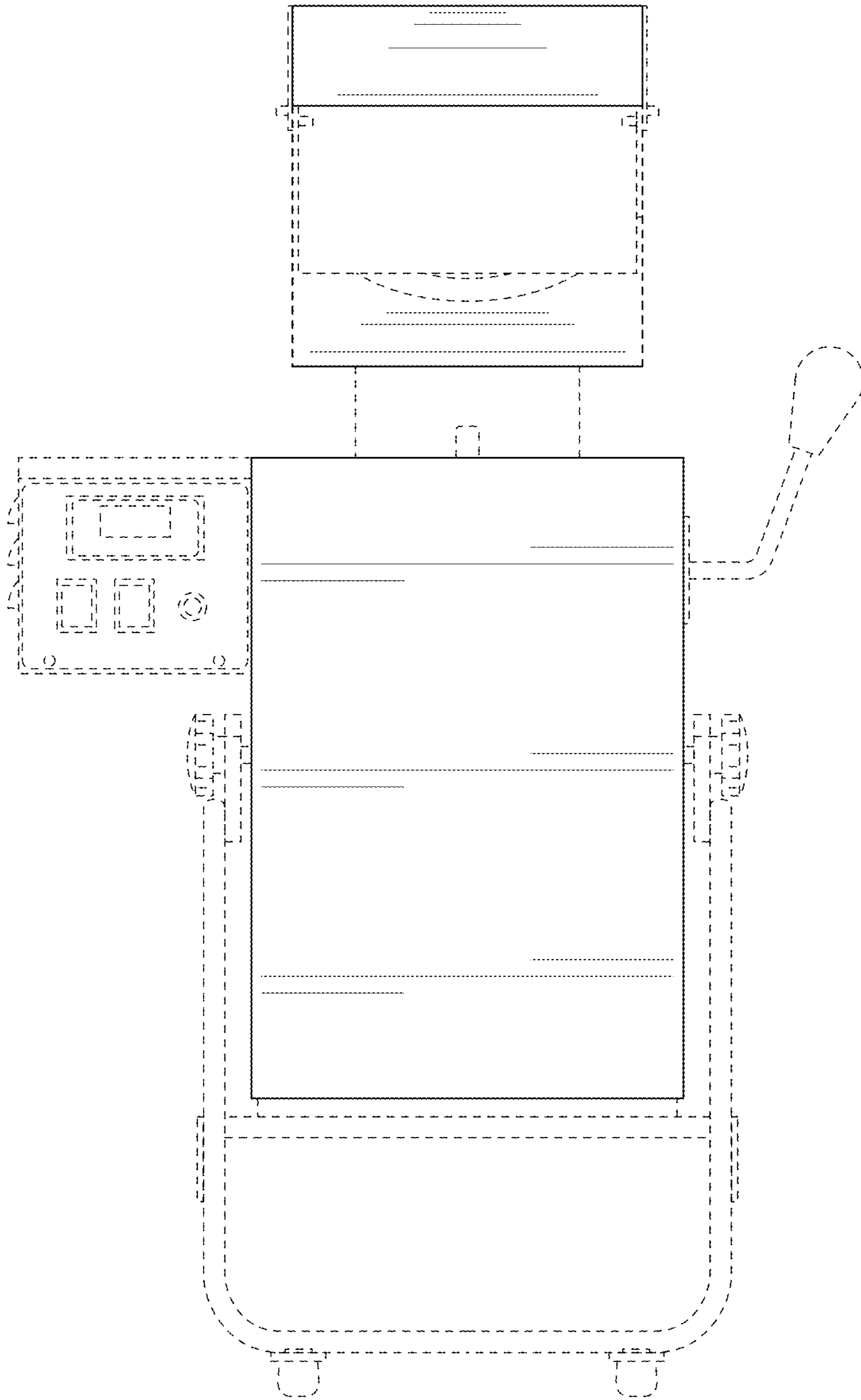


Fig. 2

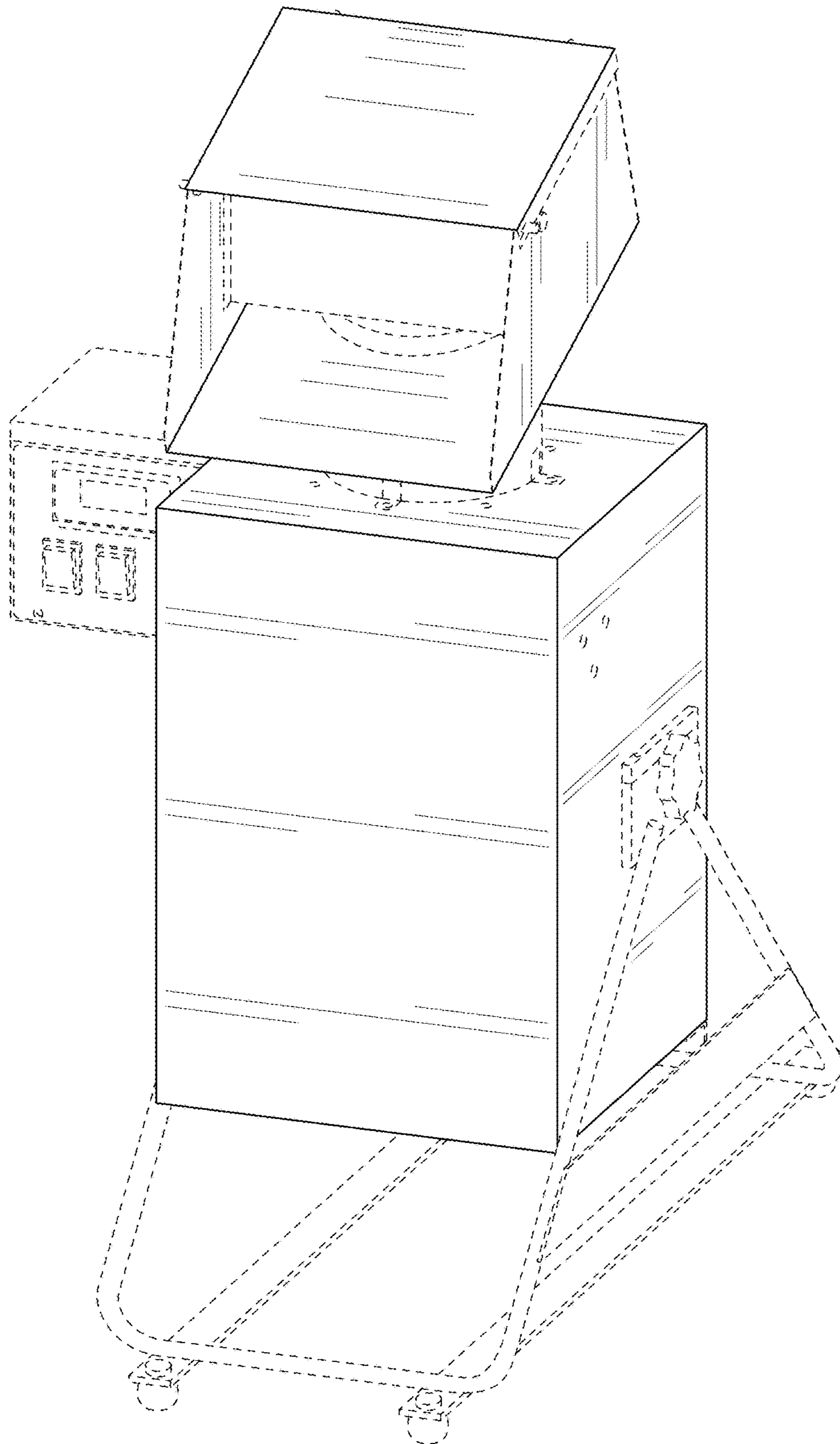


Fig. 3

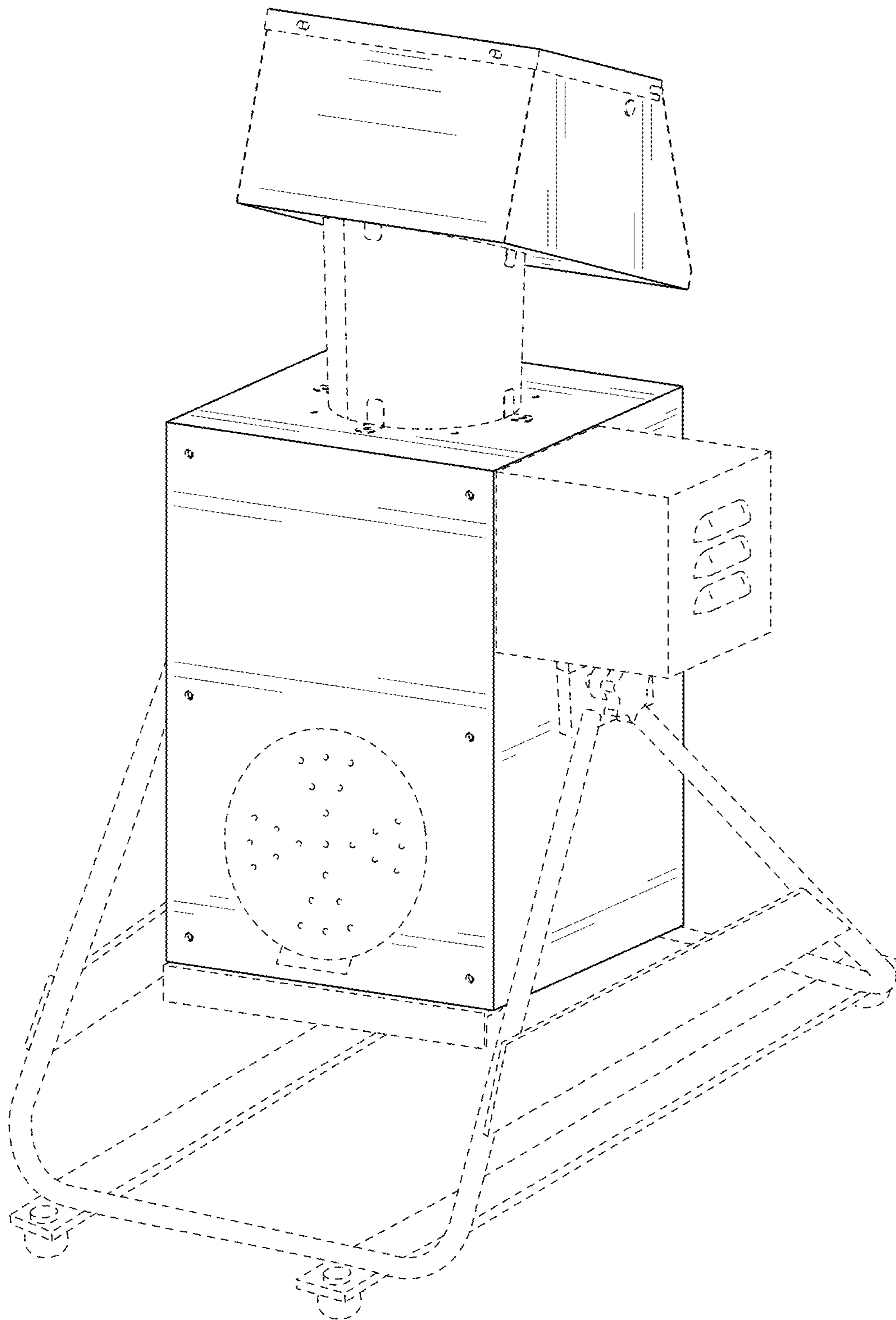


Fig. 4

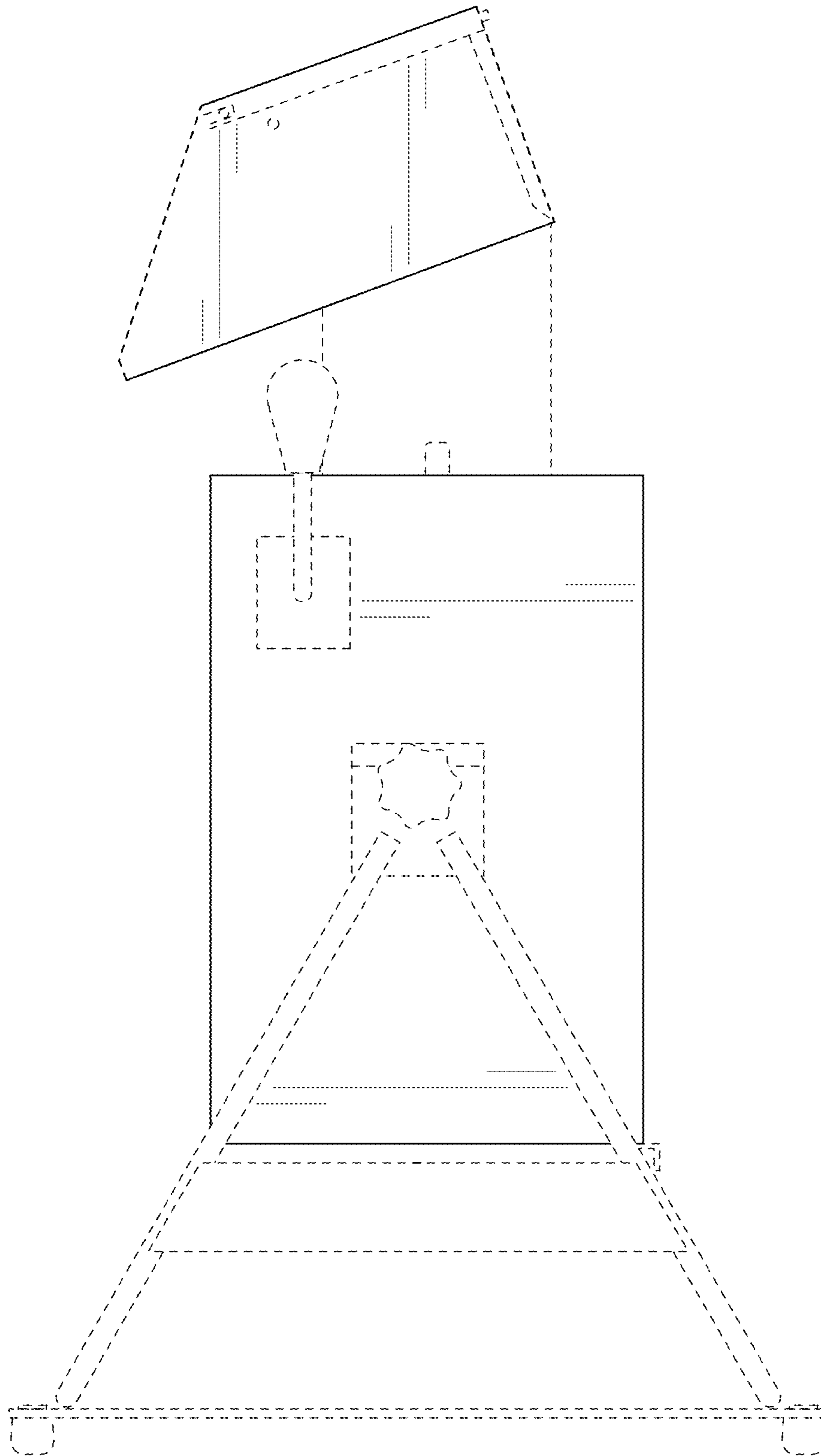


Fig. 5

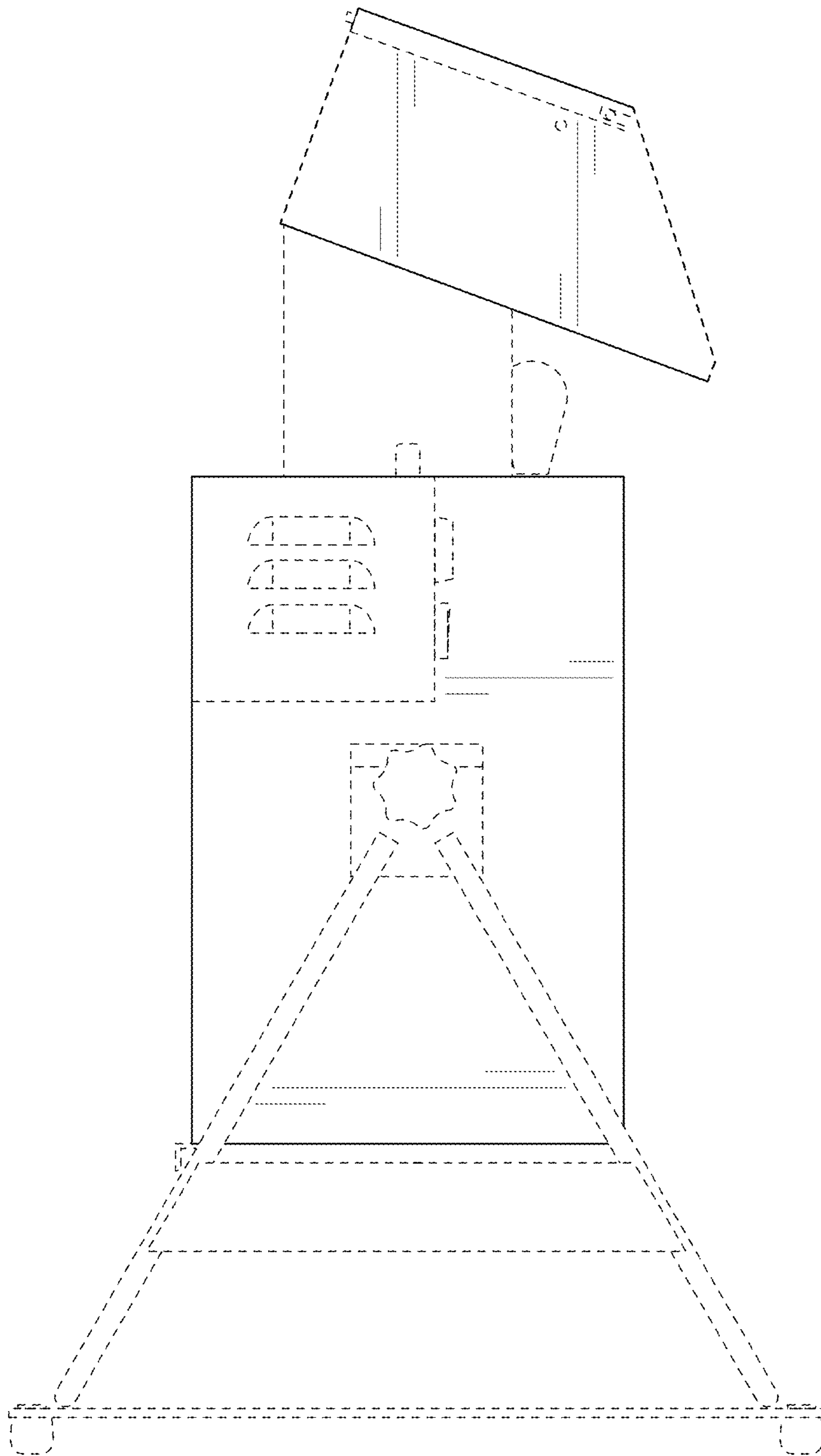


Fig. 6

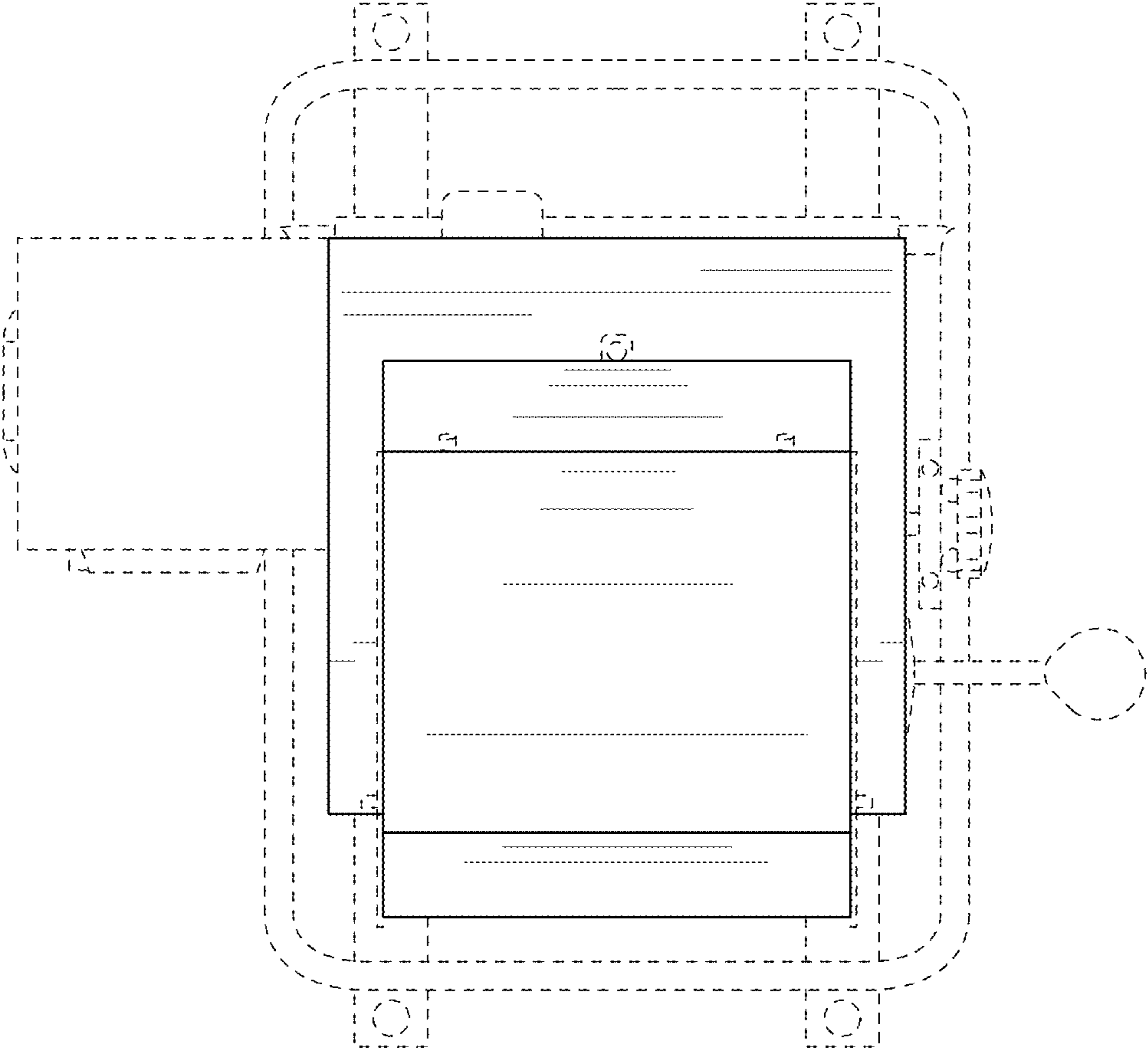


Fig. 7