



US00D802981S

(12) **United States Design Patent**
Bond et al.

(10) **Patent No.:** **US D802,981 S**

(45) **Date of Patent:** **** Nov. 21, 2017**

(54) **HOT AIR POPPER**

D628,847 S * 12/2010 Liu D7/325
D645,292 S * 9/2011 Bond D7/325
D677,969 S * 3/2013 Bond D7/325

(Continued)

(71) Applicant: **Nostalgia Products LLC**, Green Bay, WI (US)

Primary Examiner — Ricky Pham

(72) Inventors: **Gregg Bond**, Beverly Hills, CA (US);
Edward E. Boughton, III, Ventura, CA (US)

(74) *Attorney, Agent, or Firm* — Blakely Sokoloff Taylor & Zafman LLP

(73) Assignee: **NOSTALGIA PRODUCTS LLC**, Green Bay, WI (US)

(57) **CLAIM**

The ornamental design for hot air popper, as shown and described.

(**) Term: **15 Years**

DESCRIPTION

(21) Appl. No.: **29/564,110**

FIG. 1 is a front, right side perspective view of our hot air popper design.

(22) Filed: **May 10, 2016**

FIG. 2 is a bottom, right side perspective view thereof.

(51) **LOC (10) Cl.** **31-00**

FIG. 3 is a front elevation view thereof.

(52) **U.S. Cl.**

FIG. 4 is a rear elevation view thereof.

USPC **D7/325**

FIG. 5 is a left side elevation view thereof.

(58) **Field of Classification Search**

FIG. 6 is a right side elevation view thereof.

USPC D7/323, 325, 337, 339, 346–347, 350.1,
D7/350.4, 354, 362, 391, 602, 629

FIG. 7 is a top plan view thereof.

CPC . A23L 1/01; A23L 1/0128; A23L 1/10; A23L
1/18; A23L 1/1802; A23L 1/1812; A23L

FIG. 8 is a bottom plan view thereof.

1/1815; A23L 1/1817; A23L 1/217; A23L
7/187; A23P 1/14; A23P 1/142; A23P

FIG. 9 is a front right side perspective view of an alternate embodiment thereof.

1/144; A23P 1/146; A23P 1/148; A47J
27/004; A47J 36/027; A47J 36/06; B65D

FIG. 10 is a bottom, right side perspective view of the alternate embodiment thereof.

81/34; B65D 81/3407; B65D 81/3446;
B65D 81/3453

FIG. 11 is a front elevation view of the alternate embodiment thereof.

See application file for complete search history.

FIG. 12 is a rear elevation view of the alternate embodiment thereof.

(56) **References Cited**

U.S. PATENT DOCUMENTS

D260,649 S * 9/1981 Wondergem D7/325
D279,448 S * 7/1985 Spoeth, Jr. D7/325
5,501,139 A * 3/1996 Lee A23L 7/187
99/323.5
D551,016 S * 9/2007 Bond D7/325

FIG. 13 is a left side elevation view of the alternate embodiment thereof.

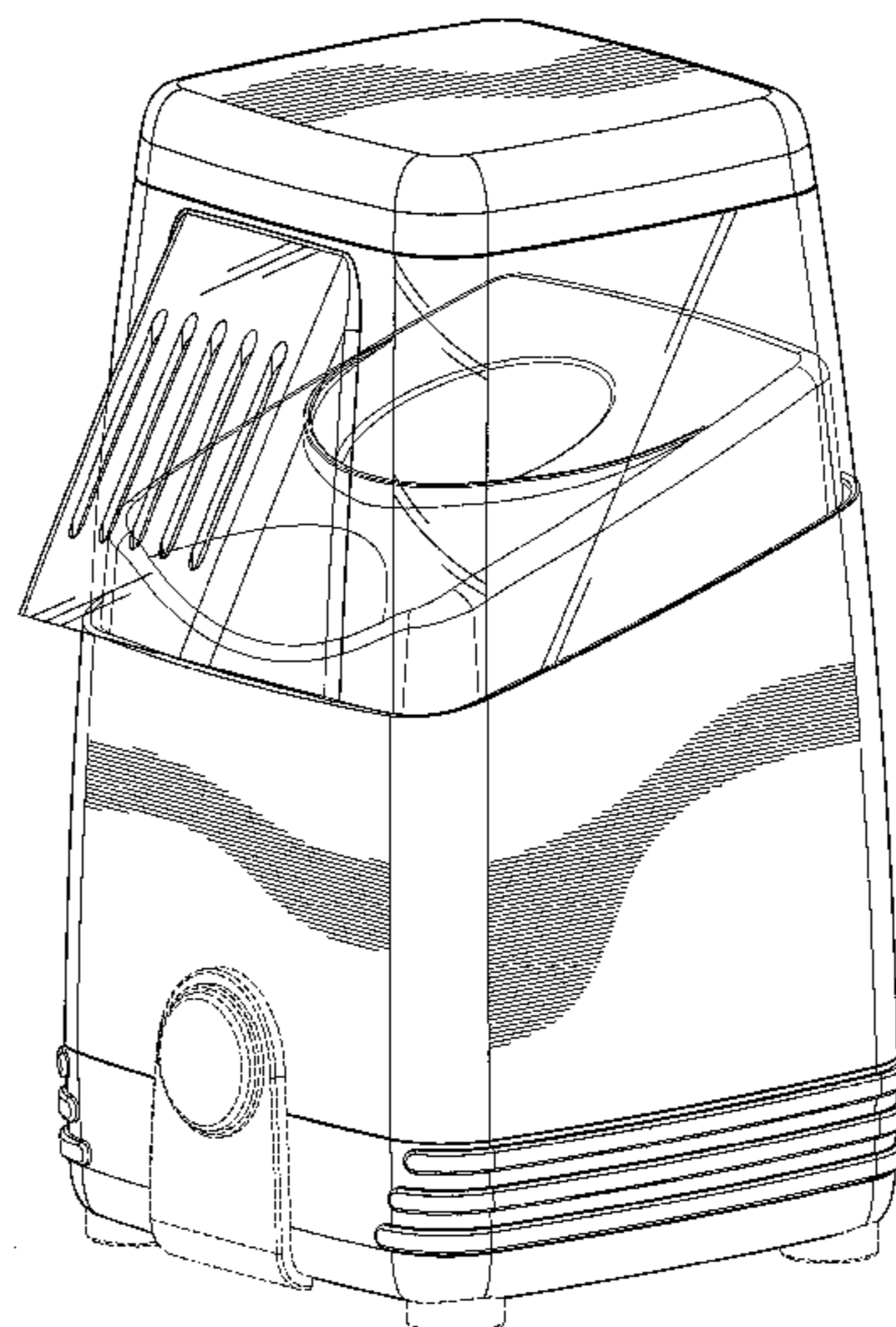
FIG. 14 is a right side elevation view of the alternate embodiment thereof.

FIG. 15 is a top plan view of the alternate embodiment thereof; and,

FIG. 16 is a bottom plan view of the alternate embodiment thereof.

All portions of the drawings shown in dashed lines are for illustrative purposes only and form no part of the claimed design.

1 Claim, 16 Drawing Sheets



(56)

References Cited

U.S. PATENT DOCUMENTS

D682,004 S *	5/2013	Kauer	D7/325
D682,005 S *	5/2013	Kauer	D7/325
D722,245 S *	2/2015	Mao	D7/325
2015/0257419 A1 *	9/2015	Mastroianni	A23L 1/1812 99/323.11

* cited by examiner

FIG. 1

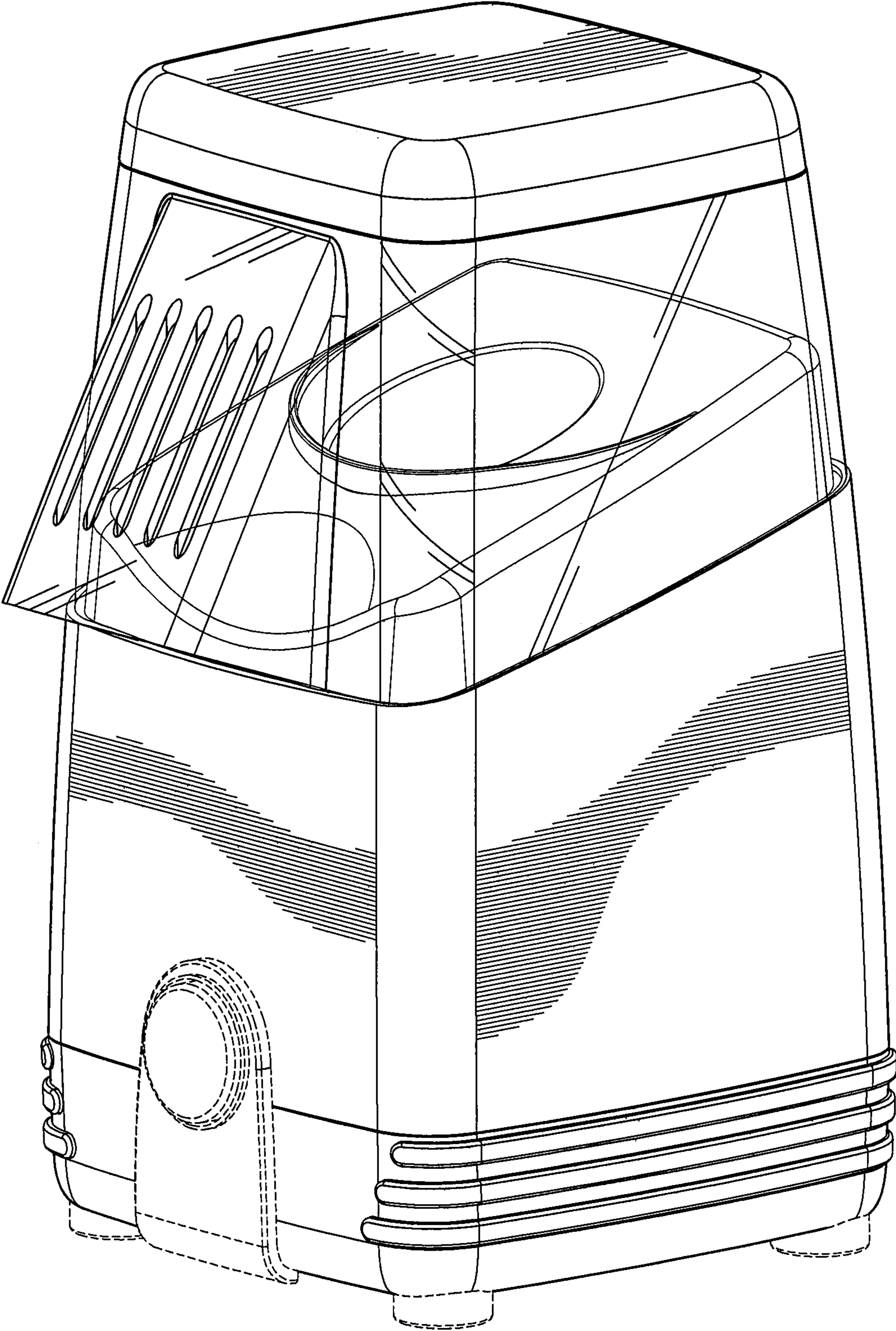
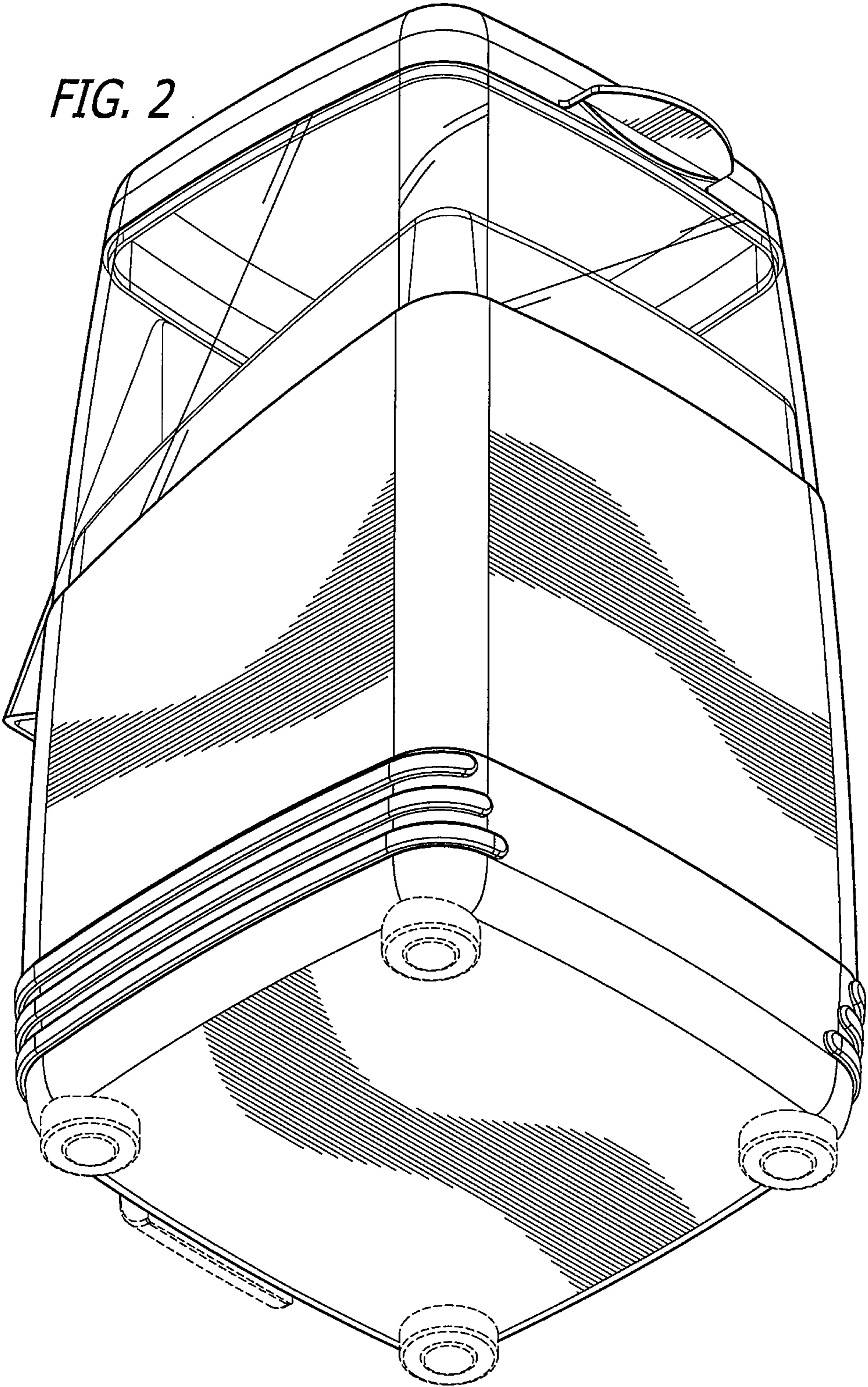


FIG. 2



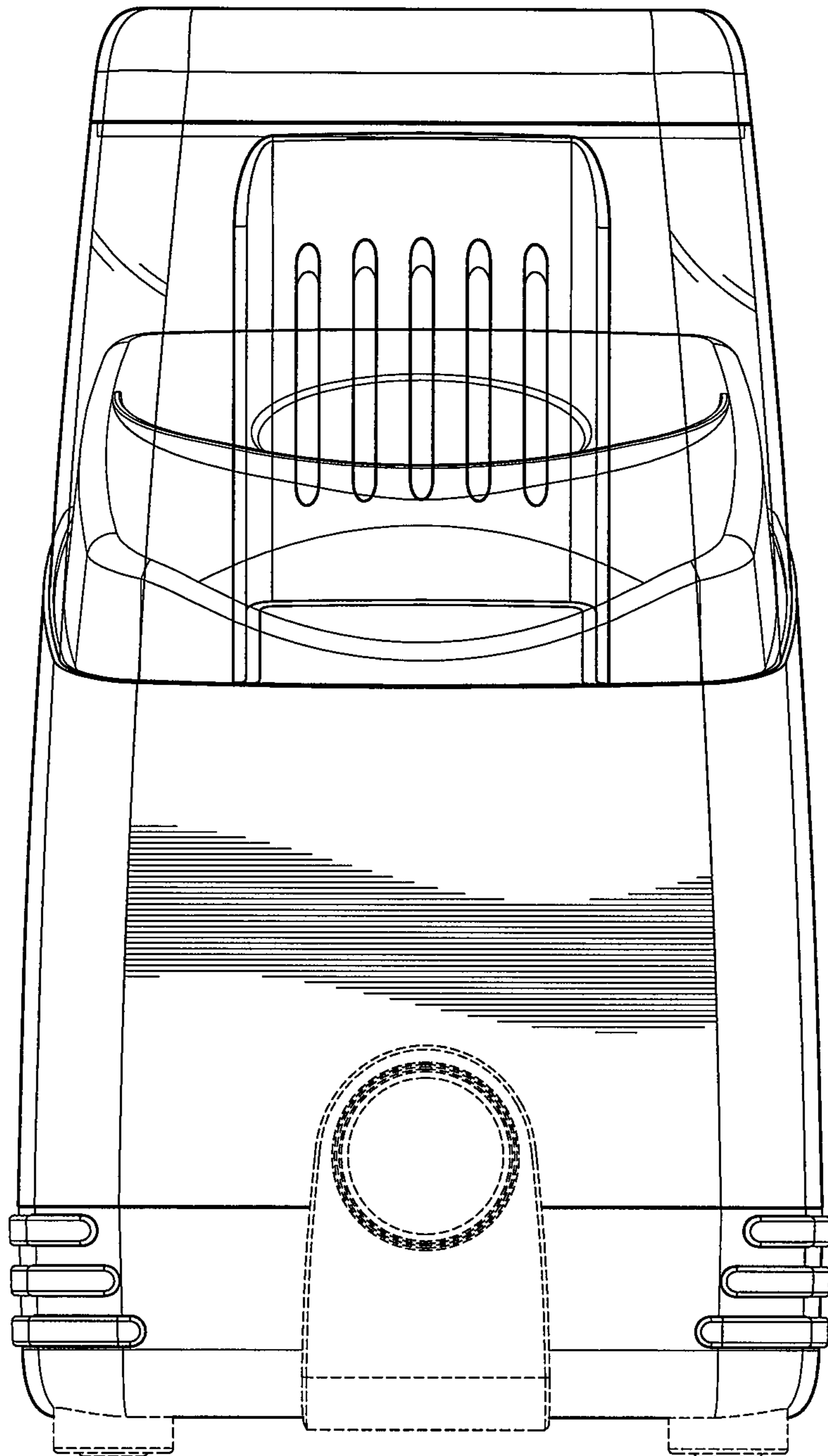


FIG. 3

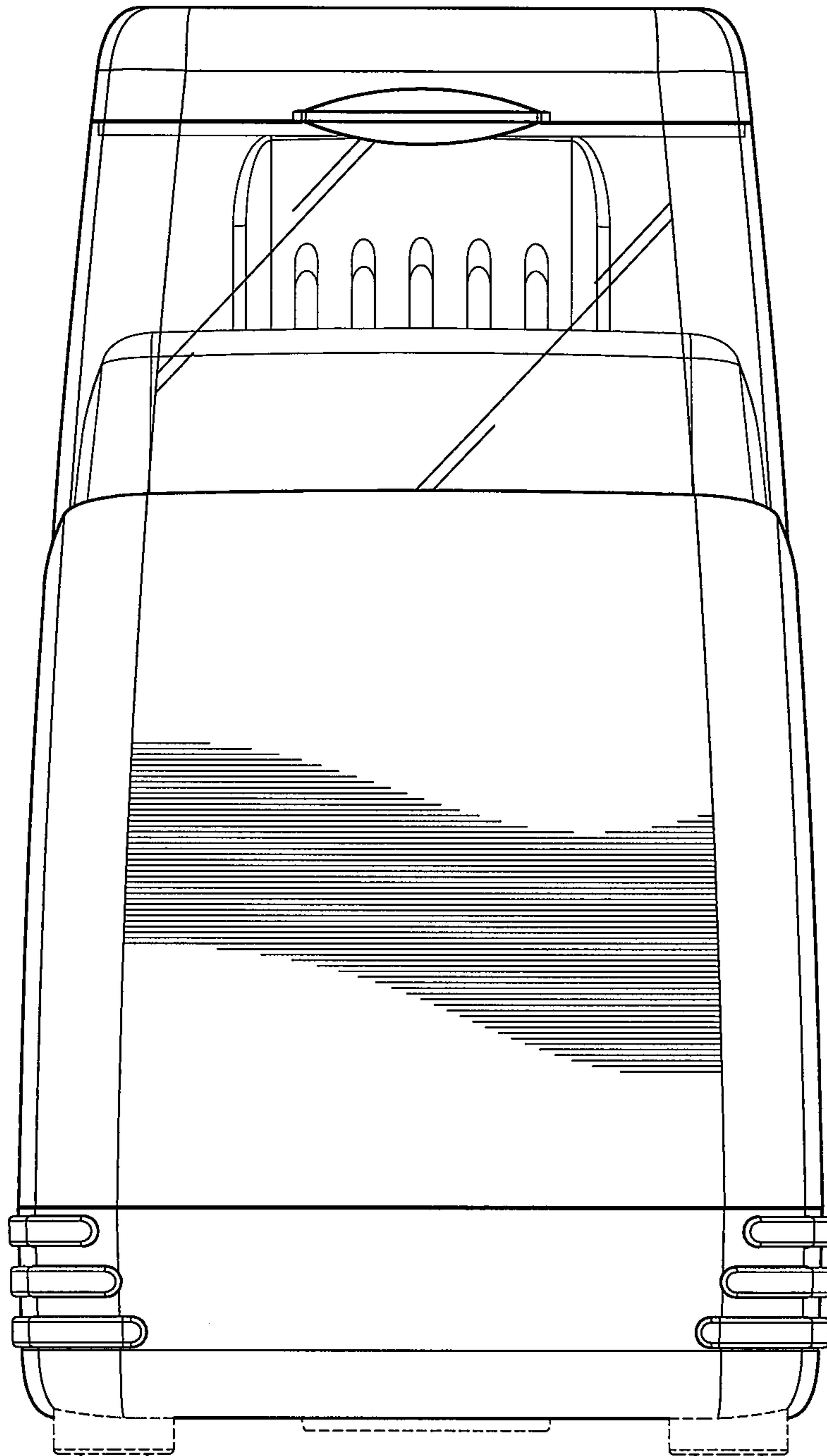


FIG. 4

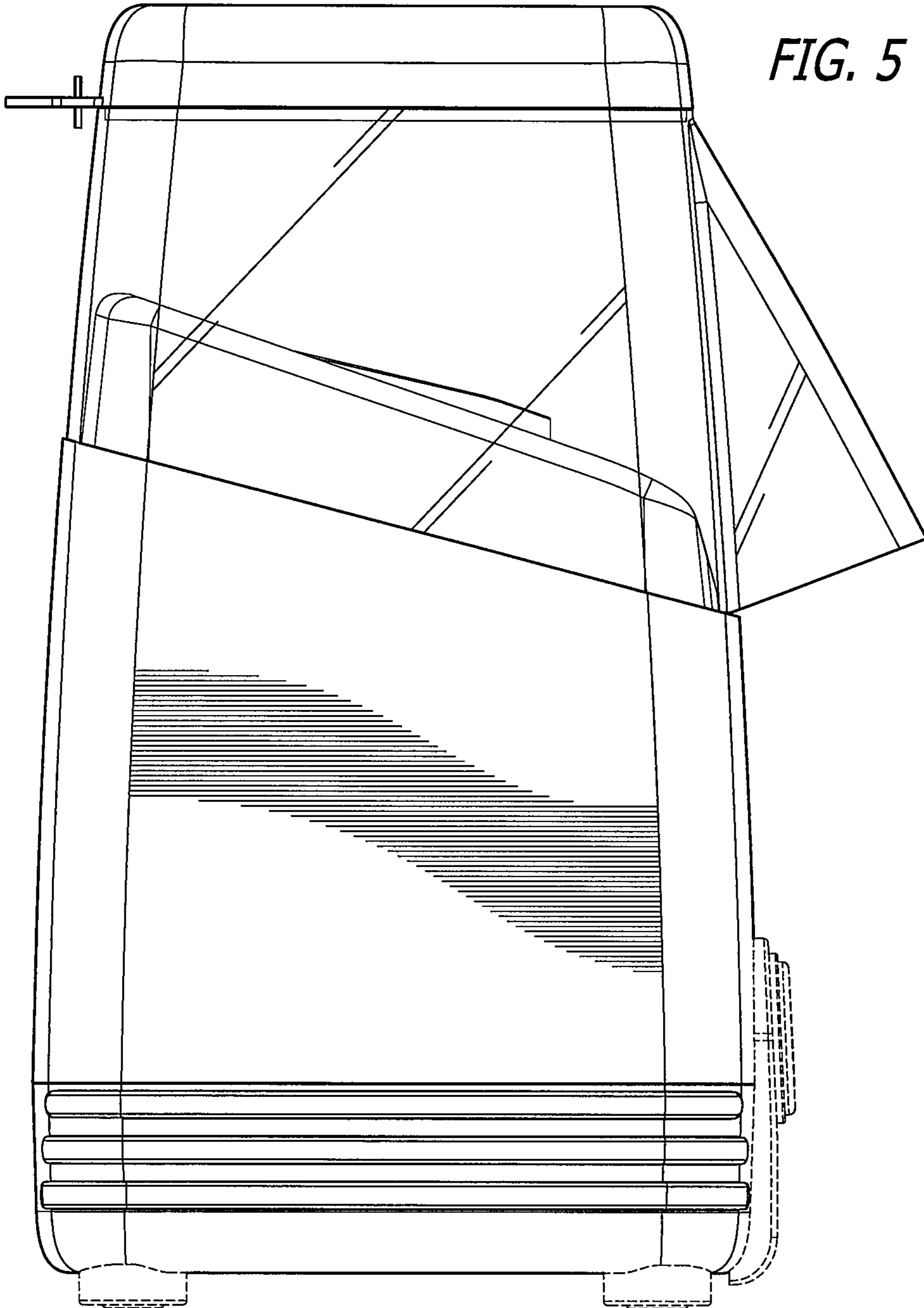
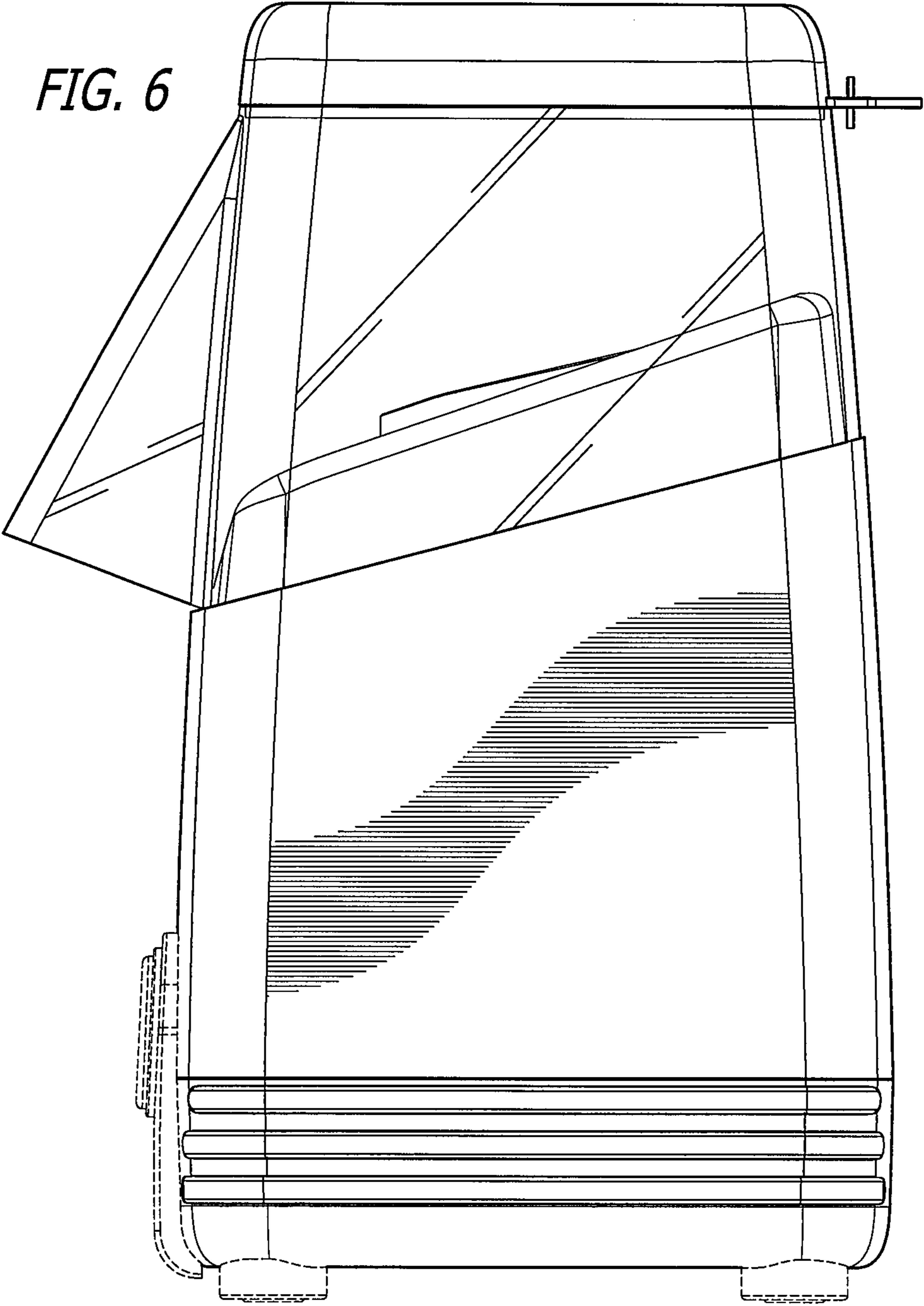


FIG. 6



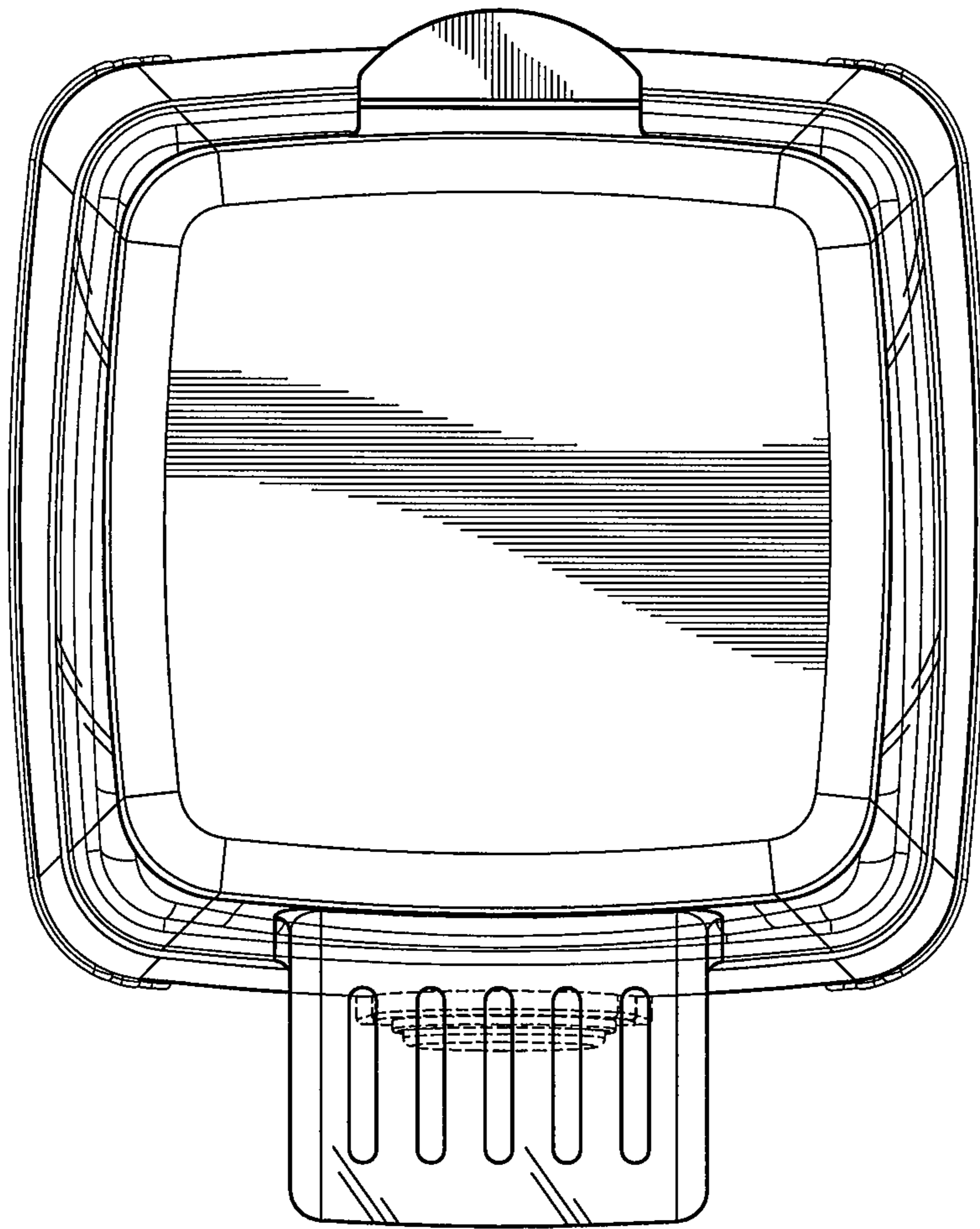


FIG. 7

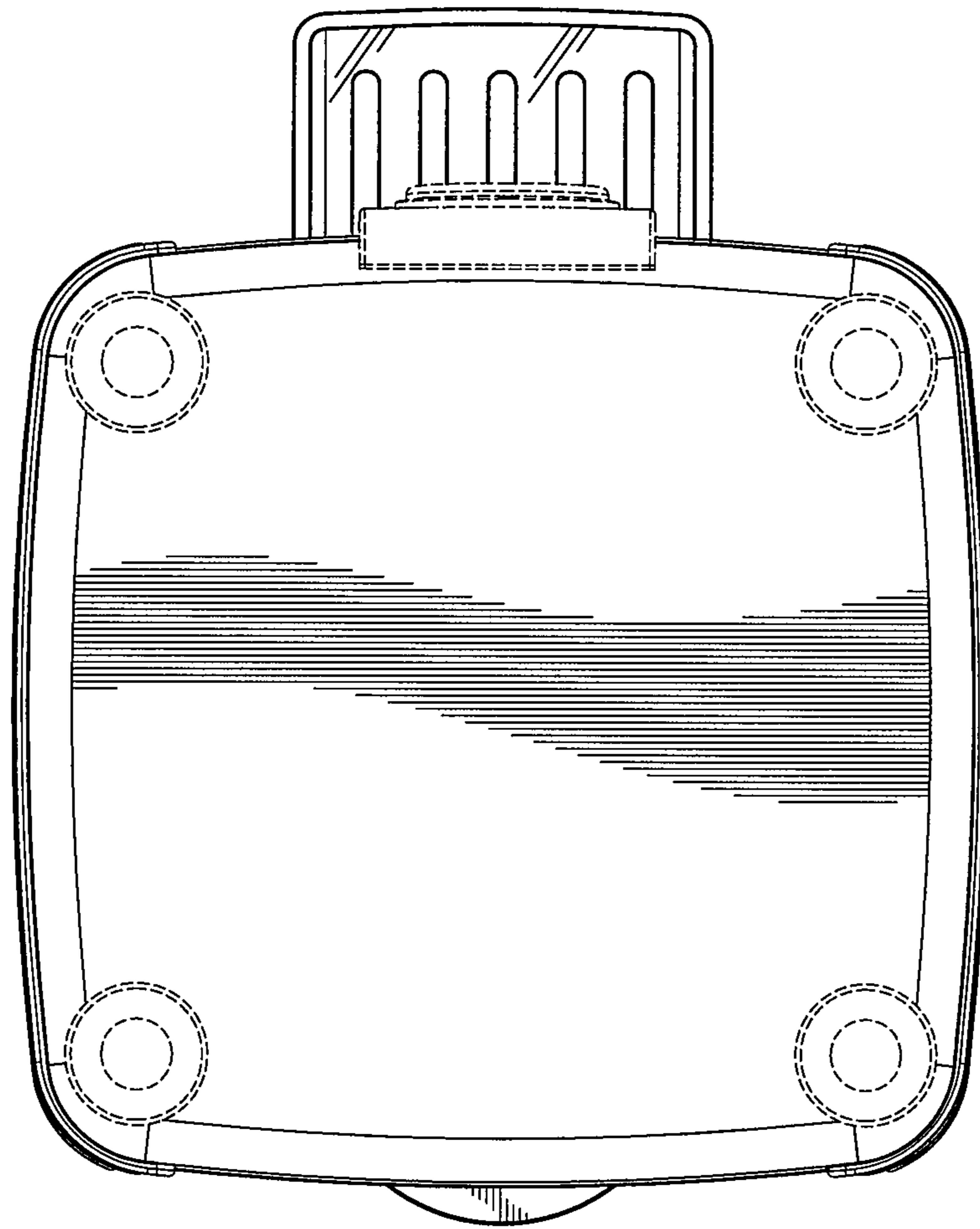


FIG. 8

FIG. 9

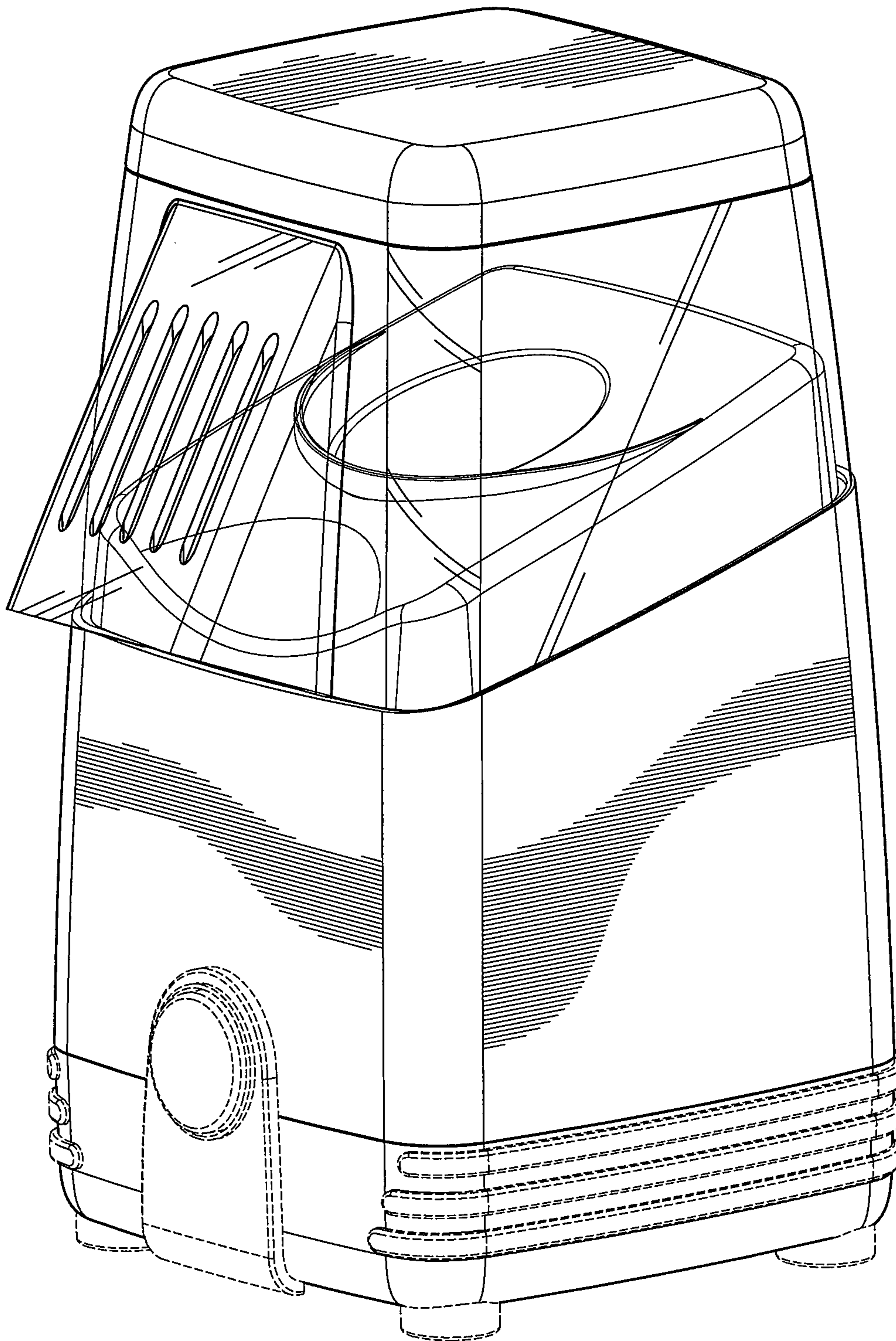
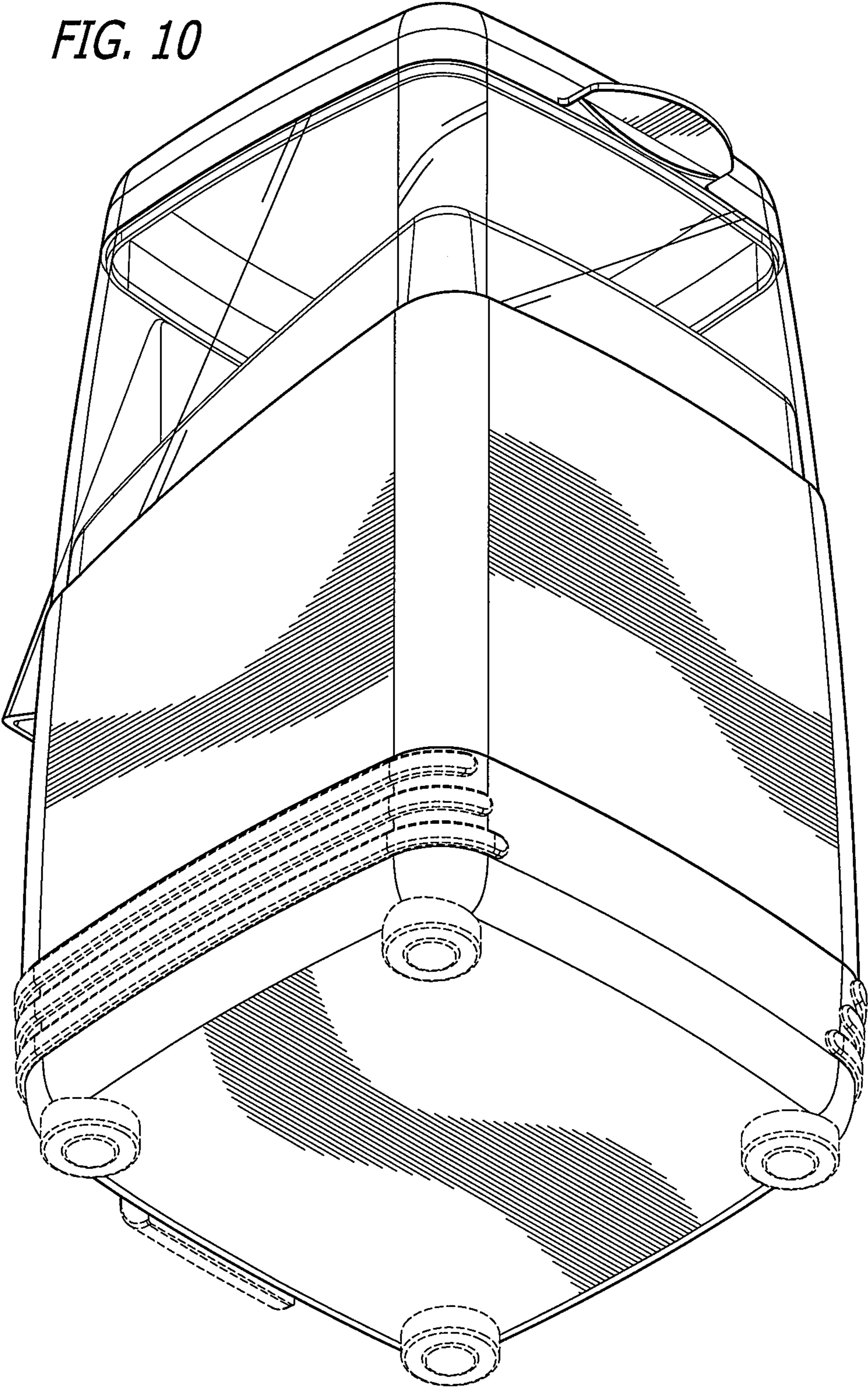


FIG. 10



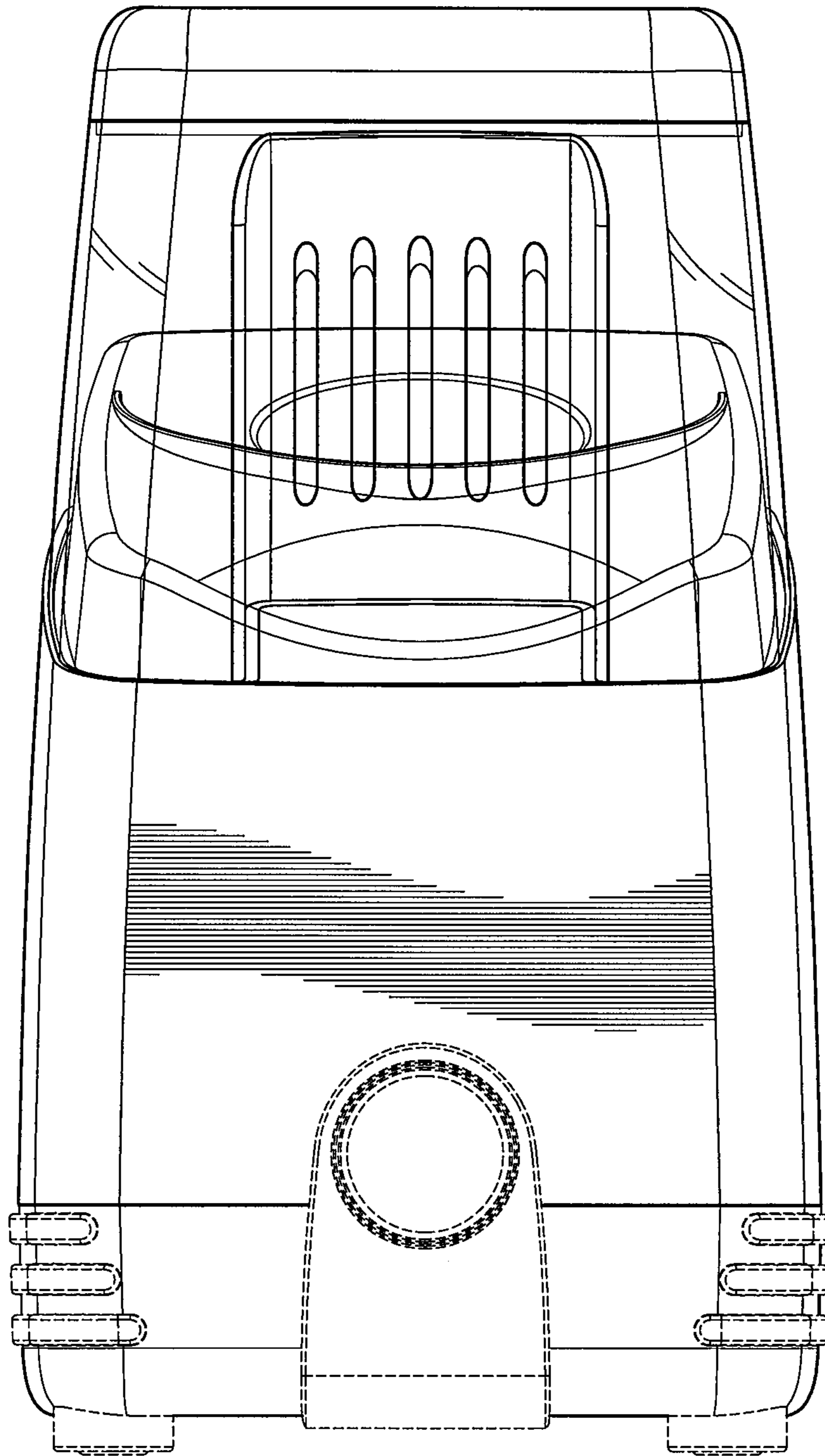


FIG. 11

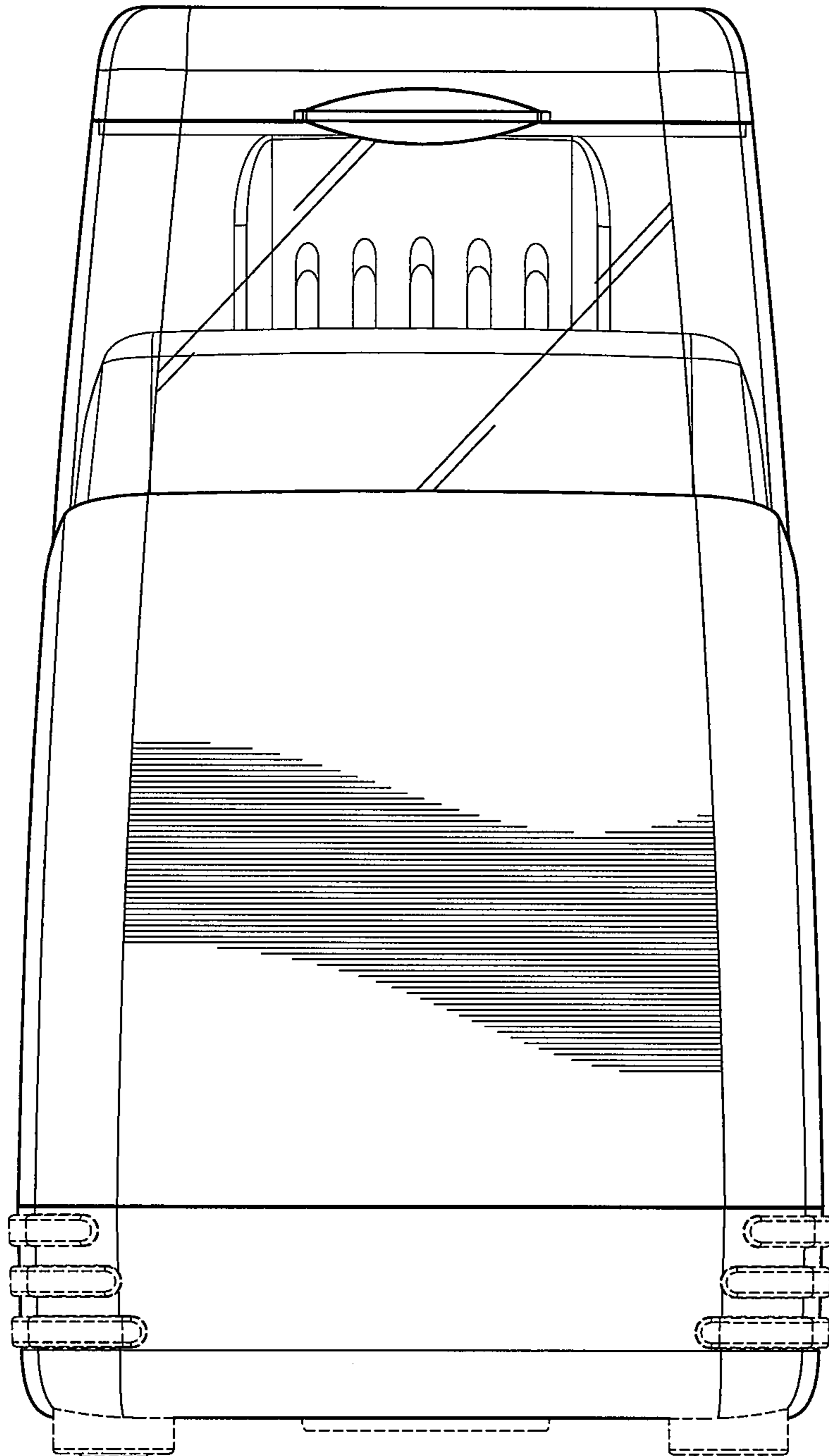


FIG. 12

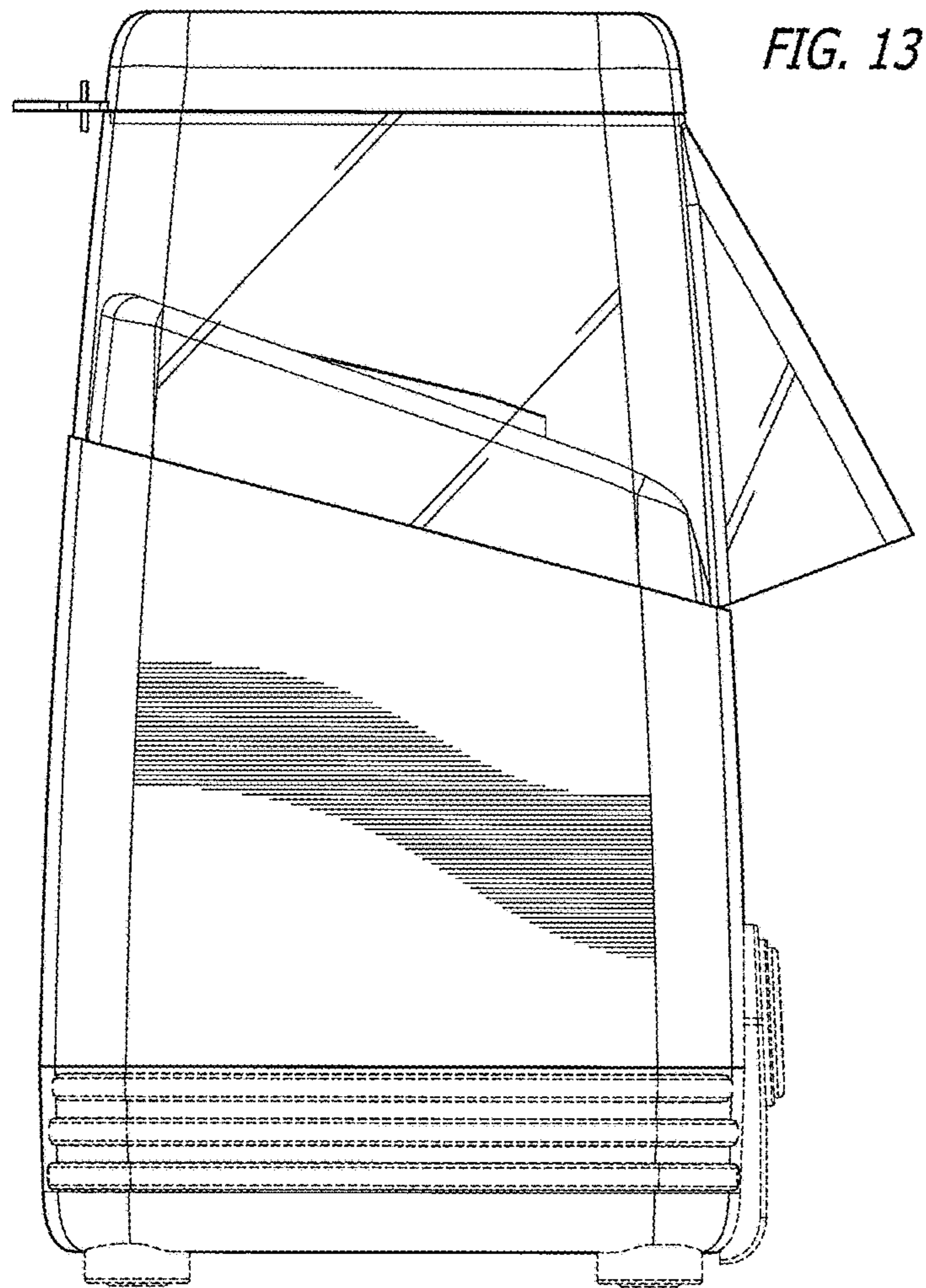
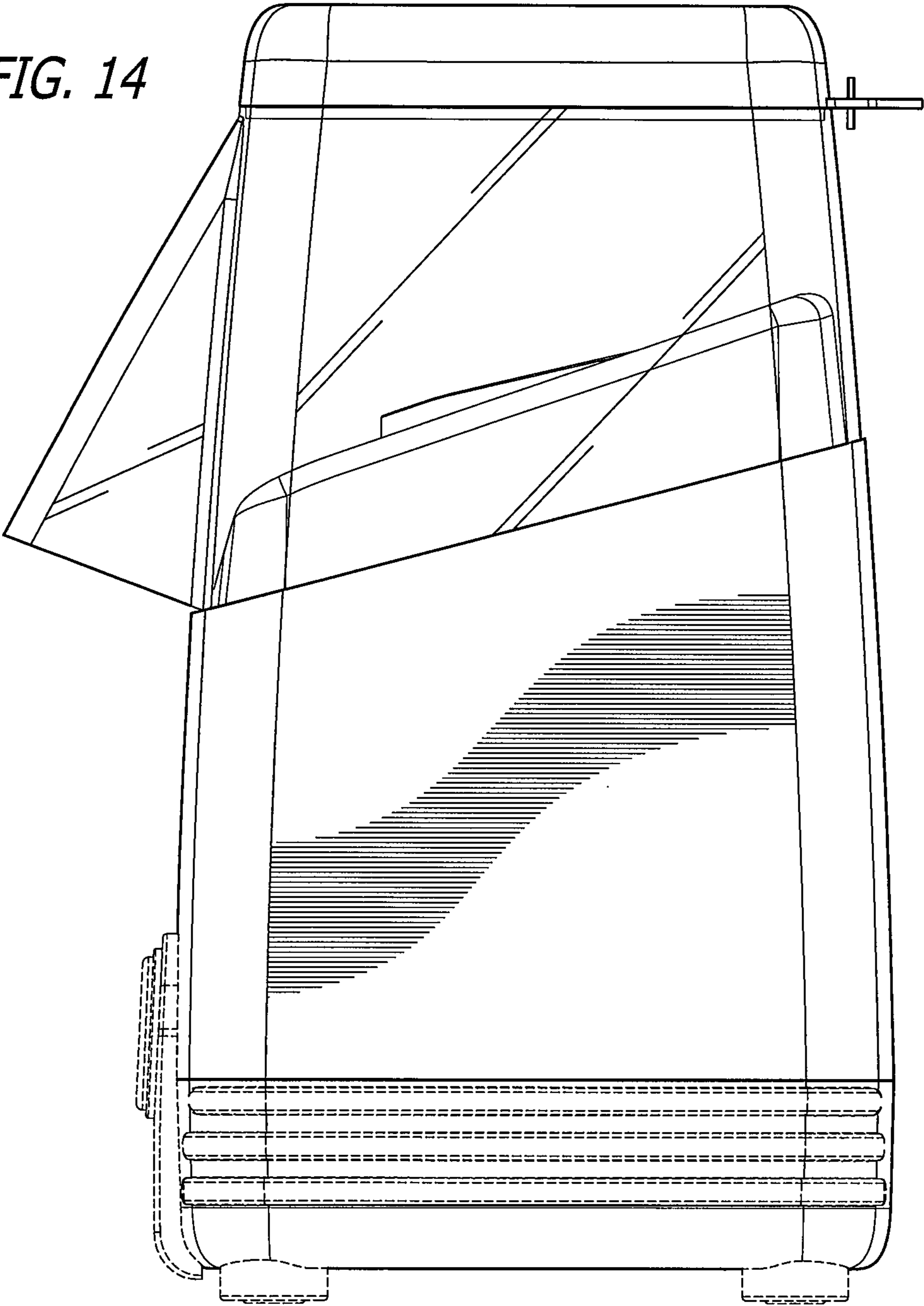


FIG. 14



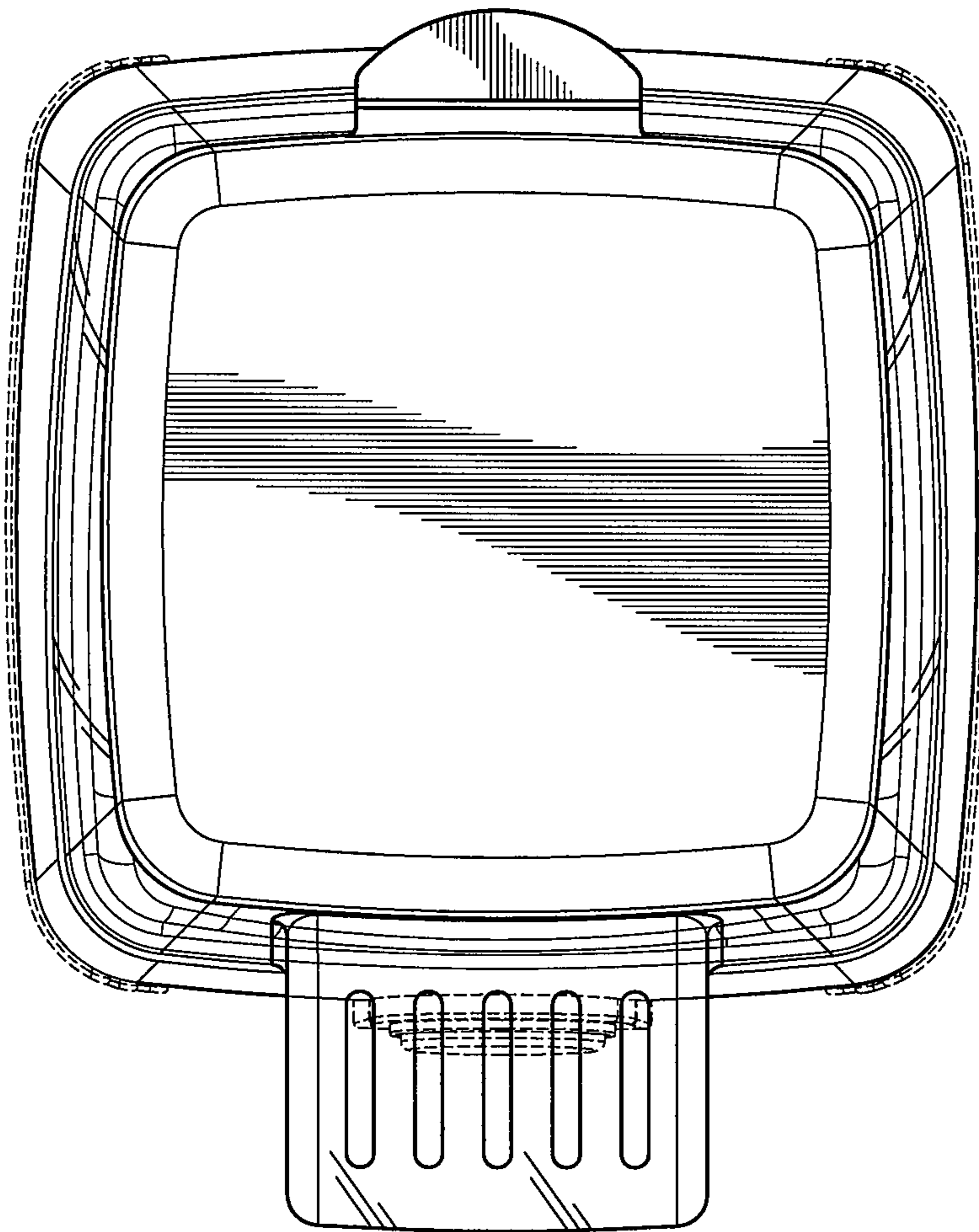


FIG. 15

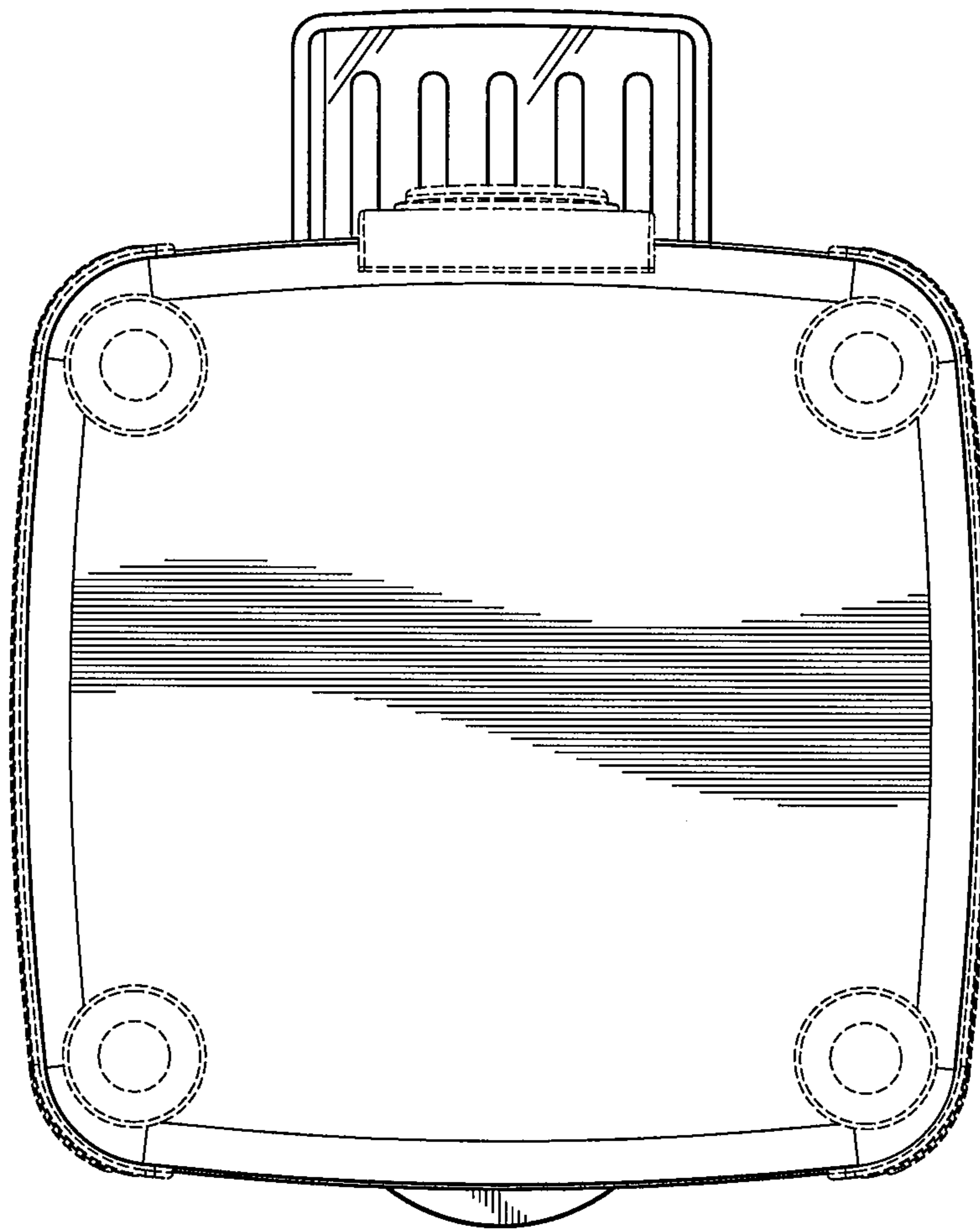


FIG. 16