



US00D802980S

(12) **United States Design Patent** (10) **Patent No.:** **US D802,980 S**  
**Bond et al.** (45) **Date of Patent:** **\*\* Nov. 21, 2017**

(54) **POPCORN MACHINE WITH CANOPY** 6,397,782 B1 \* 6/2002 Cope ..... A01K 31/06  
119/416  
(71) Applicant: **Nostalgia Products LLC**, Green Bay, WI (US) 6,763,665 B2 \* 7/2004 Clark ..... A23B 4/066  
62/3.2  
6,799,433 B1 \* 10/2004 Gleason ..... A47G 19/26  
62/407  
(72) Inventors: **Gregg Bond**, Beverly Hills, CA (US);  
**Edward E. Boughton, III**, Ventura, CA (US) D569,677 S \* 5/2008 Poon ..... D7/357  
D607,260 S \* 1/2010 Lam ..... D7/325  
D615,797 S \* 5/2010 Berge ..... D7/325  
D625,604 S \* 10/2010 Zaslow ..... D9/449  
(73) Assignee: **NOSTALGIA PRODUCTS LLC**, Green Bay, WI (US) D626,790 S \* 11/2010 Gibson ..... D7/325  
D722,465 S \* 2/2015 Berge ..... D7/325  
D723,320 S \* 3/2015 Rooney ..... D7/325  
(\*\*) Term: **15 Years** 2002/0129714 A1 \* 9/2002 Lee ..... A47J 36/08  
99/403

(21) Appl. No.: **29/541,655**

(22) Filed: **Oct. 6, 2015**

(51) **LOC (10) Cl.** ..... **31-00**

(52) **U.S. Cl.**  
USPC ..... **D7/325**

(58) **Field of Classification Search**  
USPC ..... D6/631; D7/323, 325, 337, 339,  
D7/346-347, 350.1, 350.4, 354, 357, 362,  
D7/391, 584, 602, 629; D9/449  
CPC ..... A01K 31/06; A23B 4/066; A23B 7/0425;  
A23L 1/01; A23L 1/0128; A23L 1/10;  
A23L 1/18; A23L 1/1802; A23L 1/1812;  
A23L 1/1815; A23L 1/1817; A23L 1/217;  
A23P 1/14; A23P 1/142; A23P 1/144;  
A23P 1/146; A23P 1/148; A47G 19/26;  
A47J 27/004; A47J 36/027; A47J 36/06;  
A47J 36/08; B65D 81/34; B65D 81/3407;  
B65D 81/3446; B65D 81/3453  
See application file for complete search history.

(56) **References Cited**

**U.S. PATENT DOCUMENTS**

D442,816 S \* 5/2001 Chen ..... D6/631  
6,378,325 B1 \* 4/2002 Yang ..... A23B 7/0425  
62/371

\* cited by examiner

*Primary Examiner* — Ricky Pham

(74) *Attorney, Agent, or Firm* — Blakely Sokoloff Taylor & Zafman LLP

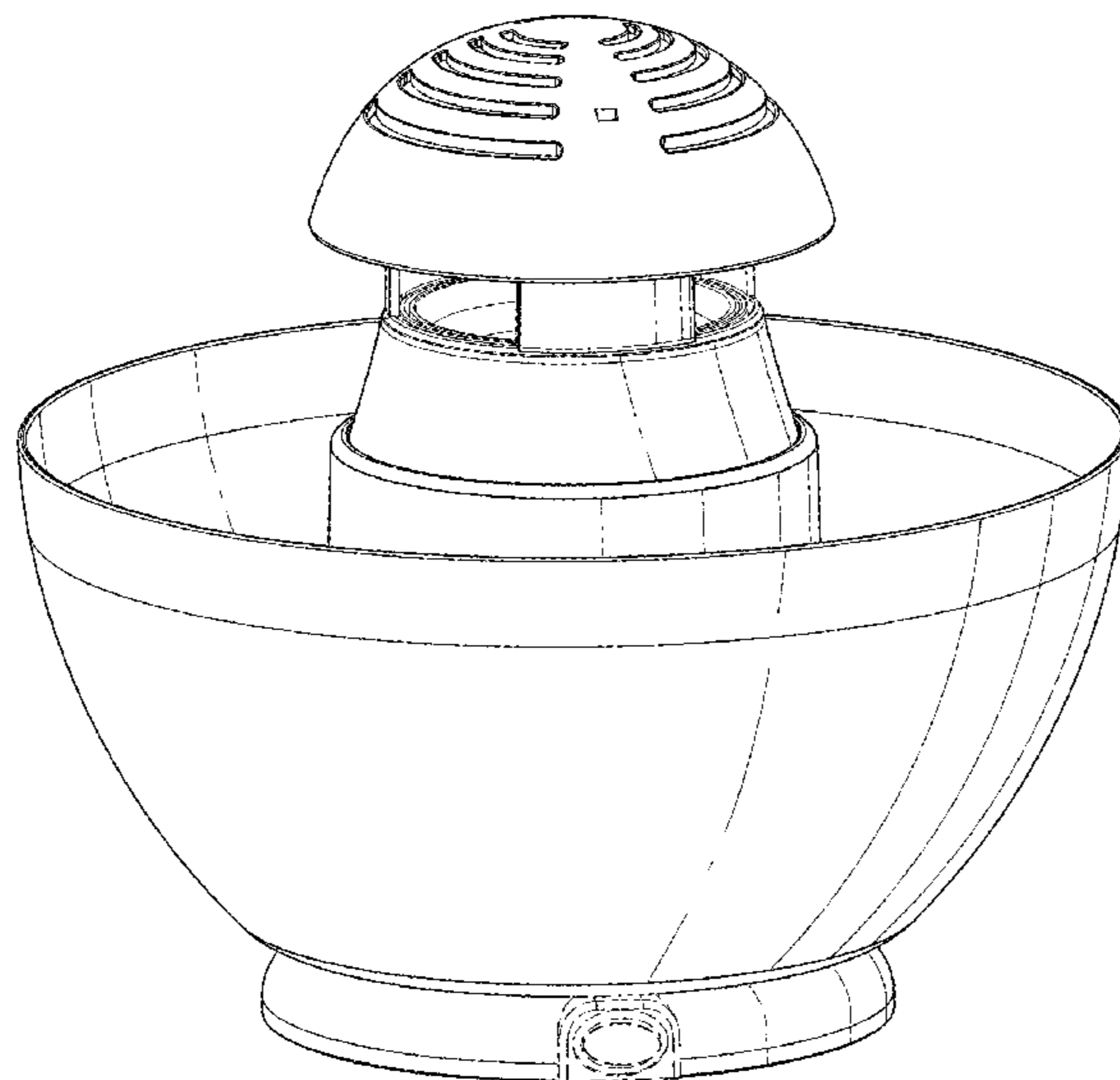
(57) **CLAIM**

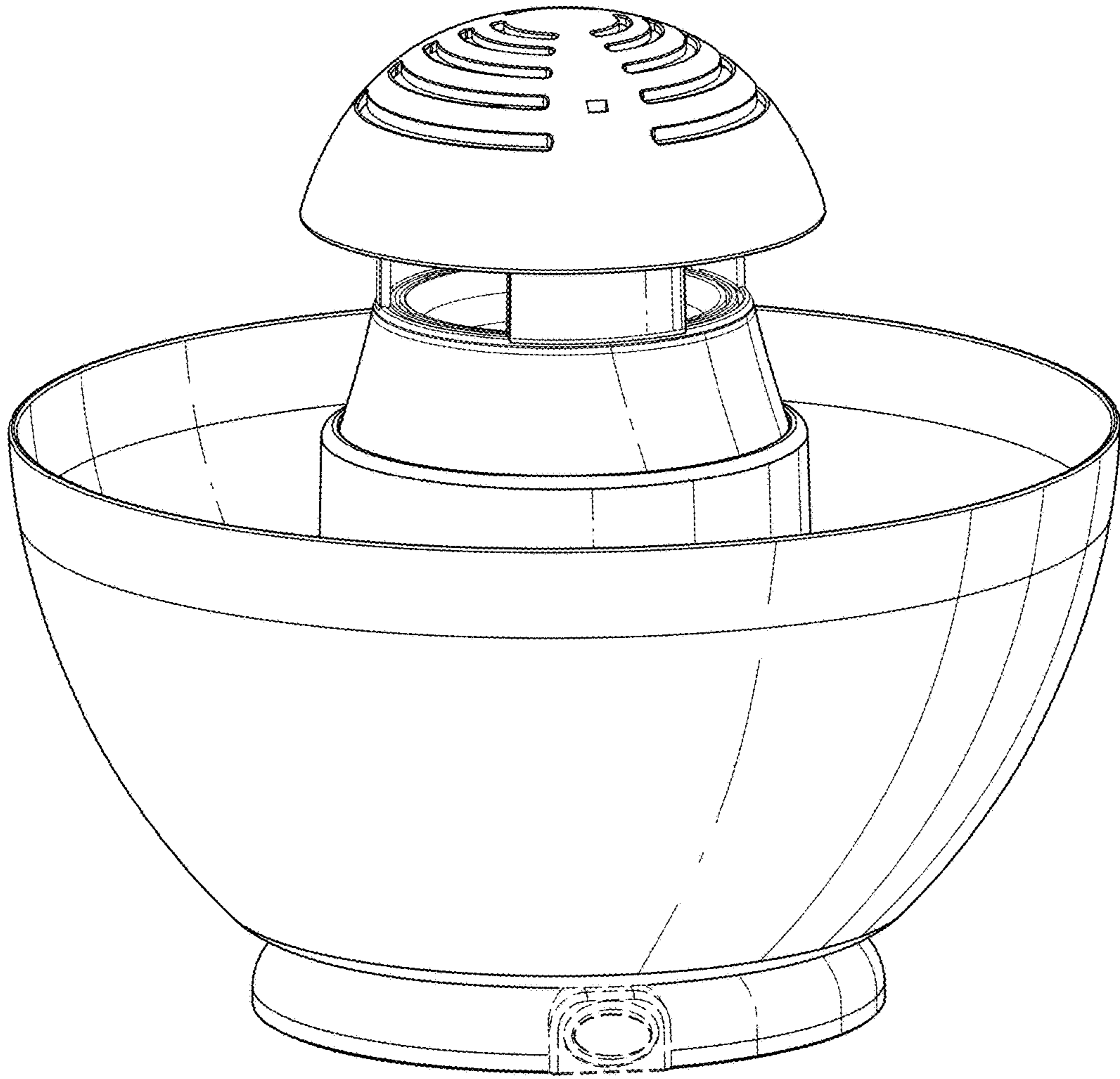
The ornamental design for popcorn machine with canopy, as shown and described.

**DESCRIPTION**

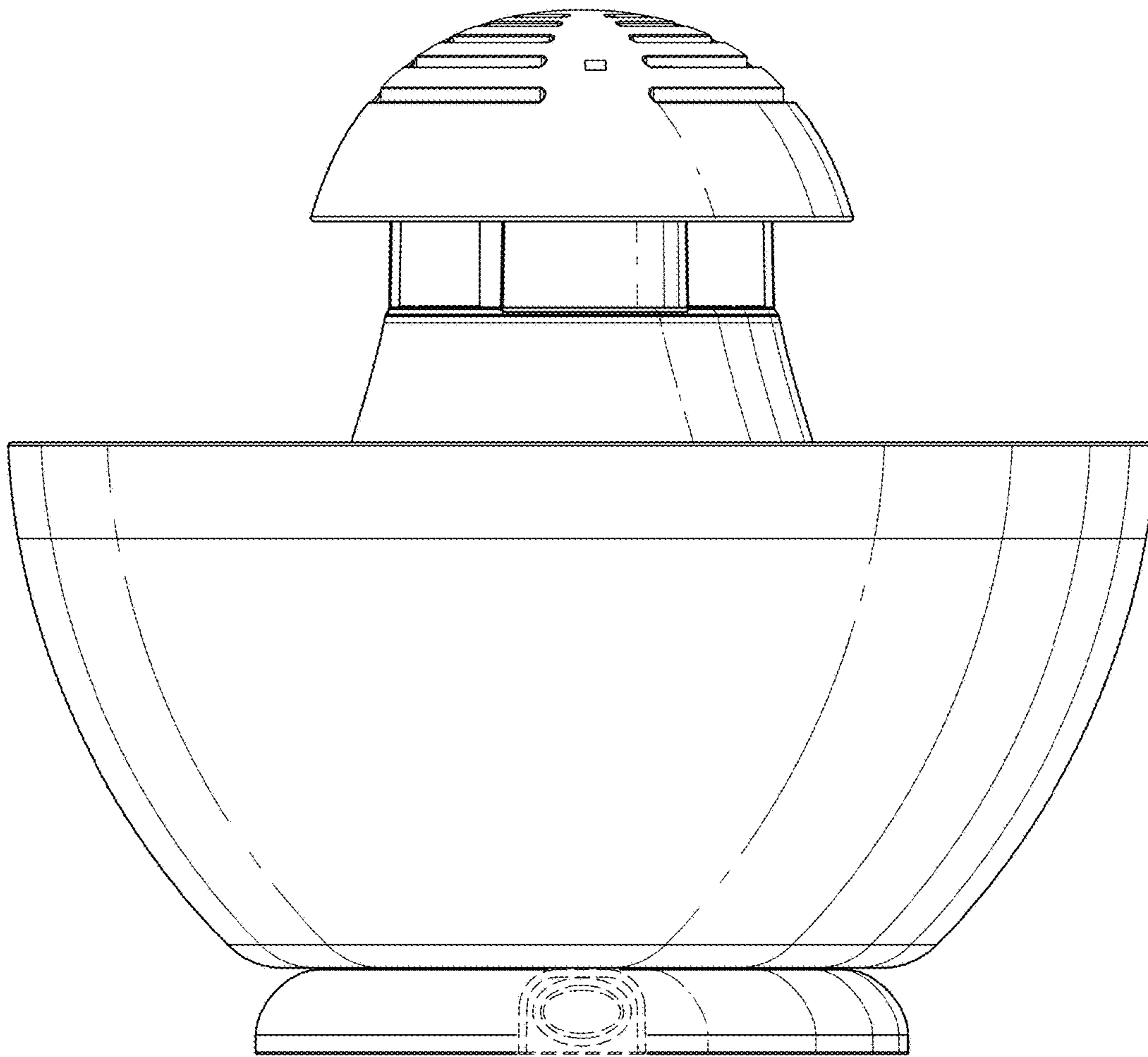
FIG. 1 is a front perspective view illustrating our new design.  
FIG. 2 is a front elevation view thereof.  
FIG. 3 is a rear elevation view thereof.  
FIG. 4 is a side elevation view thereof.  
FIG. 5 is a side elevation view opposite the side shown in FIG. 4 thereof.  
FIG. 6 is a top plan view thereof; and,  
FIG. 7 is a bottom plan view thereof.  
All portions of the drawings shown in dashed lines are for illustrative purposes only and form no part of the claimed design

**1 Claim, 7 Drawing Sheets**

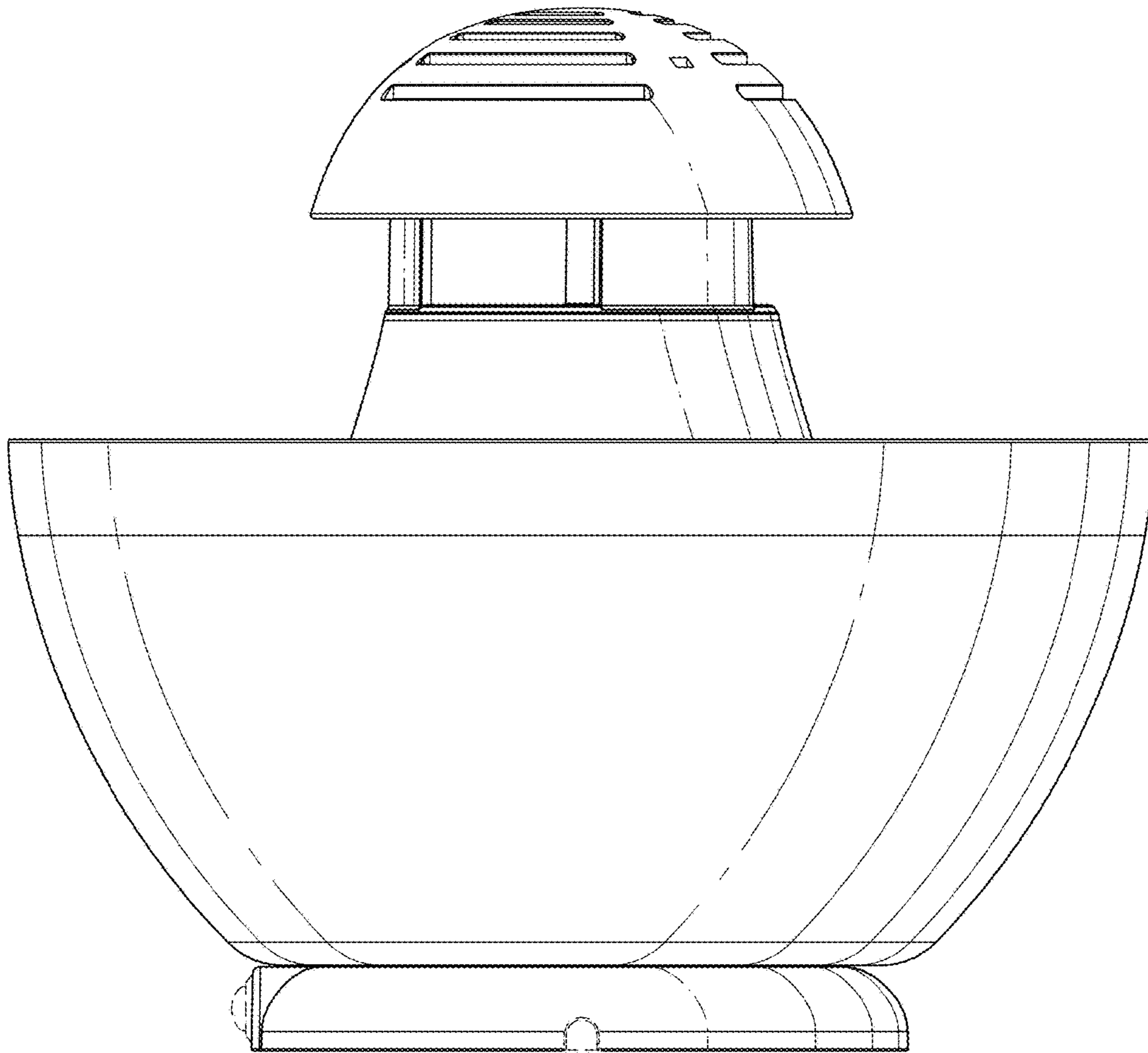




*FIG. 1*



*FIG. 2*



*FIG. 3*

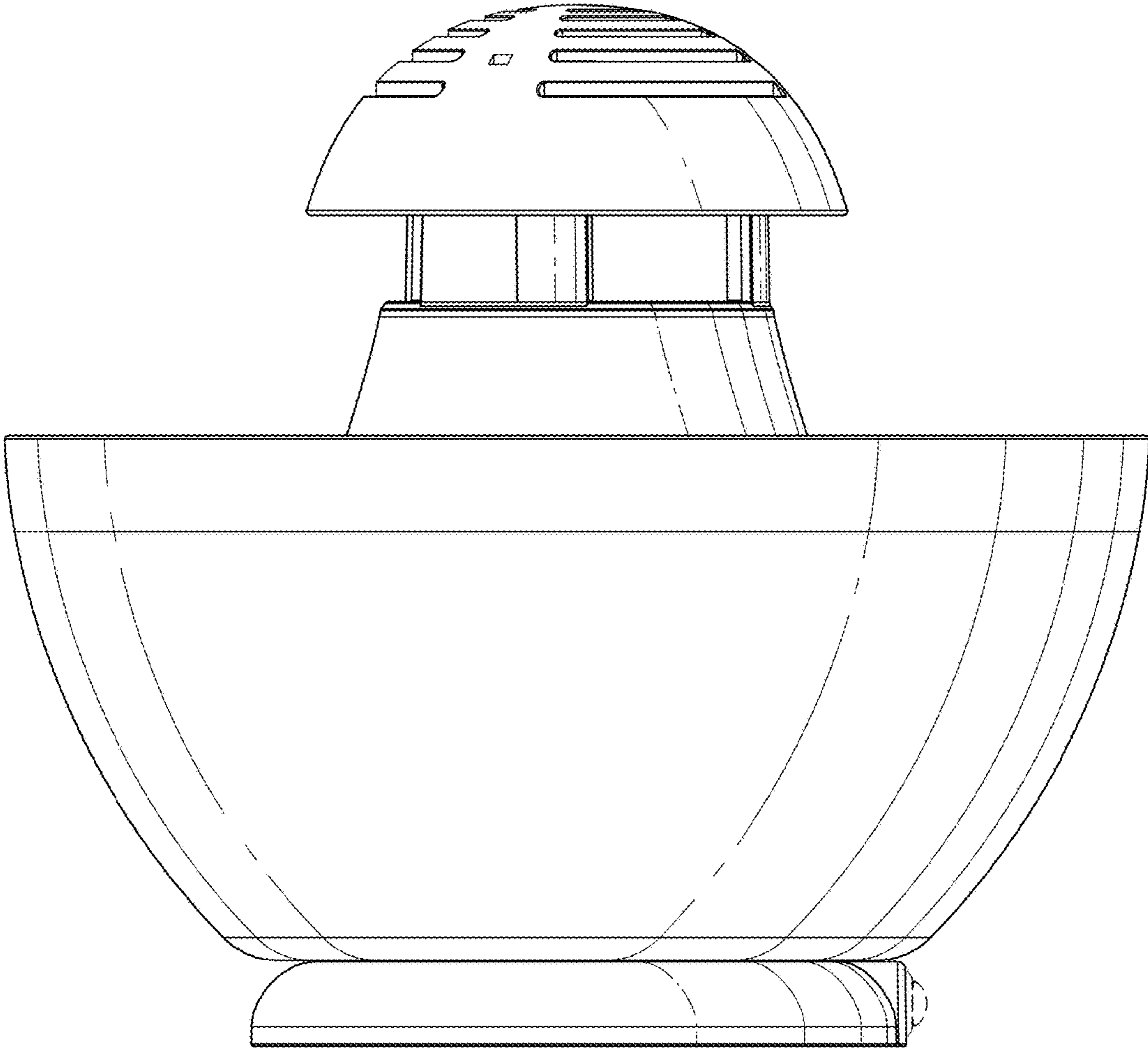
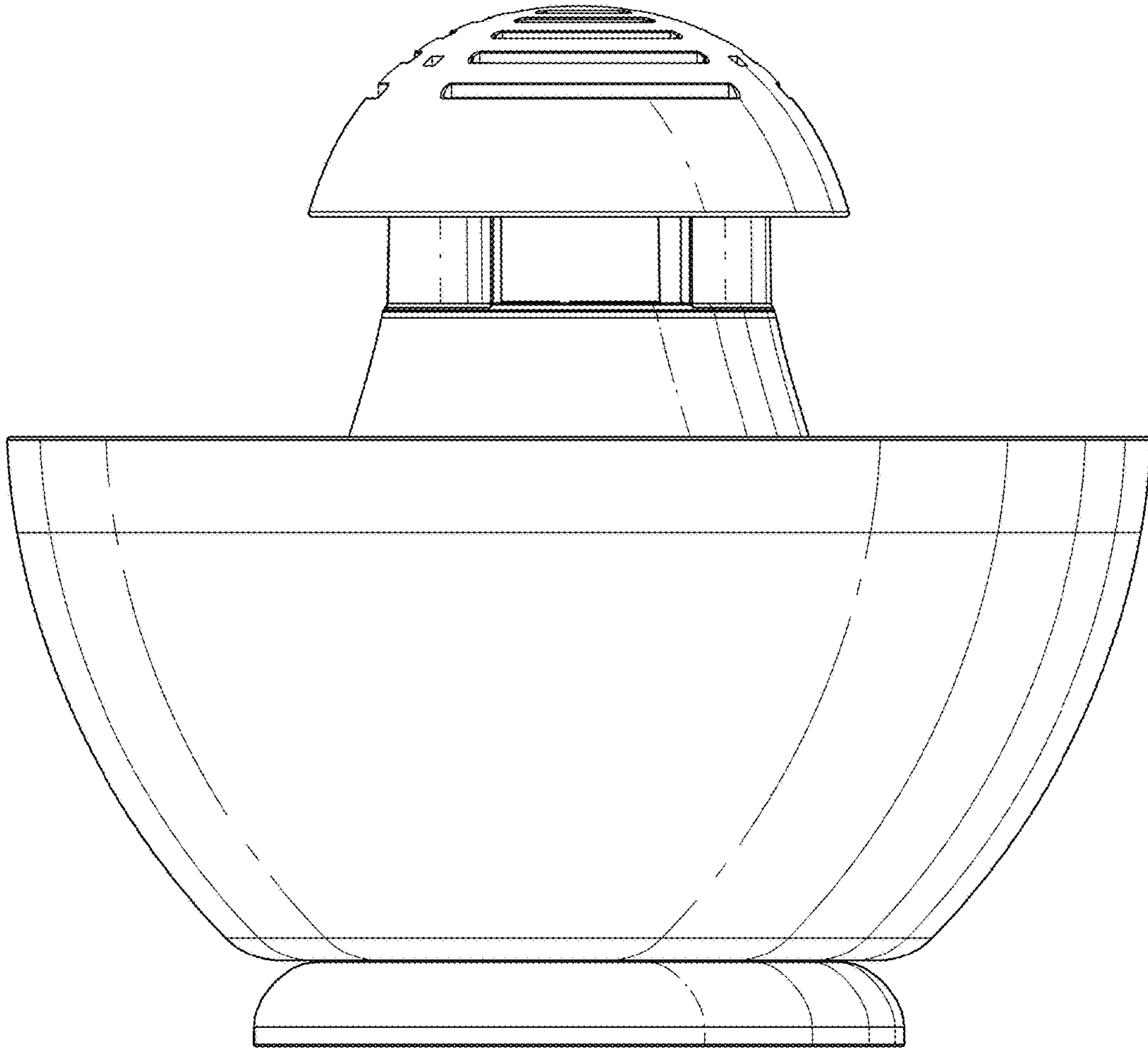


FIG. 4



*FIG. 5*

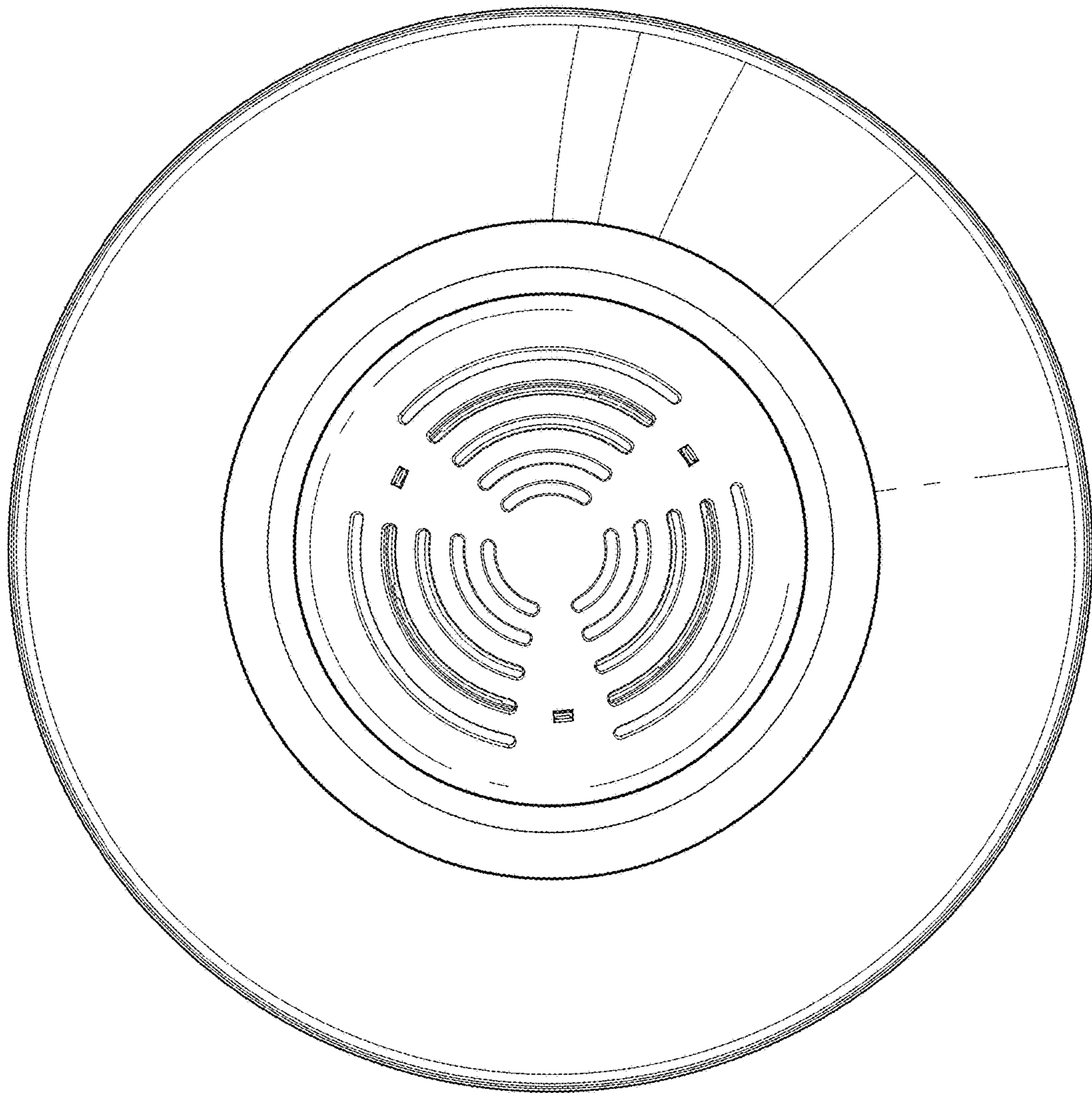


FIG. 6

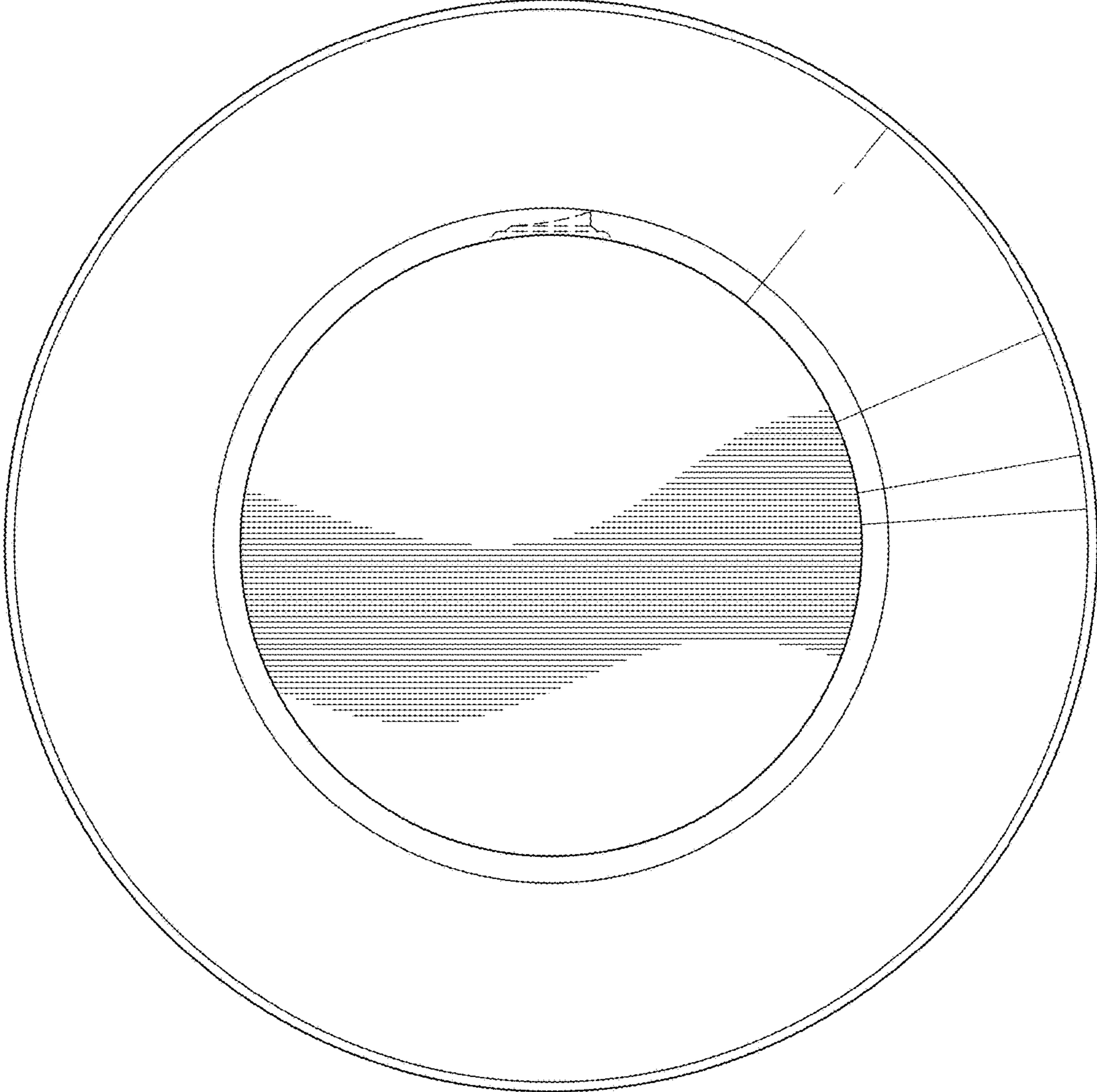


FIG. 7