

US00D802979S

(12) **United States Design Patent**
Melzer

(10) **Patent No.:** **US D802,979 S**

(45) **Date of Patent:** **** Nov. 21, 2017**

(54) **POPCORN POPPER**

(71) Applicant: **Epoca International, Inc.**, Boca Raton, FL (US)

(72) Inventor: **Brian Melzer**, Boca Raton, FL (US)

(73) Assignee: **Epoca International, Inc.**, Boca Raton, FL (US)

(**) Term: **15 Years**

(21) Appl. No.: **29/538,624**

(22) Filed: **Sep. 4, 2015**

(51) **LOC (10) Cl.** **31-00**

(52) **U.S. Cl.**
USPC **D7/325**

(58) **Field of Classification Search**
USPC D7/315-319, 322-325, 337, 339,
D7/346-347, 350.1, 350.4, 354, 362, 391,
D7/602, 629

CPC . A23L 1/01; A23L 1/0128; A23L 1/10; A23L
1/18; A23L 1/1802; A23L 1/1812; A23L
1/1815; A23L 1/1817; A23L 1/217; A23P
1/14; A23P 1/142; A23P 1/144; A23P
1/146; A23P 1/148; A47J 27/004; A47J
31/20; A47J 36/027; A47J 36/06; B65D
81/34; B65D 81/3407; B65D 81/3446;
B65D 81/3453

See application file for complete search history.

(56) **References Cited**

U.S. PATENT DOCUMENTS

D343,759 S * 2/1994 Jorgensen D7/316
5,453,189 A * 9/1995 Joergensen A47J 31/20
210/238

D413,039 S * 8/1999 Schulein D7/312
D415,648 S * 10/1999 Joergensen D7/317
D452,408 S * 12/2001 Liu D7/316
D453,657 S * 2/2002 Eklin D7/315
D541,099 S * 4/2007 Lebowitz D7/317
D560,091 S * 1/2008 Bodum D7/312
D565,340 S * 4/2008 Bodum D7/317
D594,268 S * 6/2009 Bodum D7/317
D679,538 S * 4/2013 Melzer D7/319
D746,092 S * 12/2015 Melzer D7/325
D785,396 S * 5/2017 Bodum D7/319

* cited by examiner

Primary Examiner — Ricky Pham

(74) *Attorney, Agent, or Firm* — Akerman LLP

(57) **CLAIM**

The ornamental design for a popcorn popper, as shown and described.

DESCRIPTION

FIG. 1 is a perspective view of the popcorn popper, showing our new, original and ornamental design;
FIG. 2 is a front view thereof;
FIG. 3 is a back view thereof;
FIG. 4 is a side view thereof;
FIG. 5 is an other side view thereof;
FIG. 6 is a top view thereof;
FIG. 7 is a bottom view thereof;
FIG. 8 is a perspective view of the popcorn popper with the lid therefor;
FIG. 9 is a side view thereof with the lid; and,
FIG. 10 is a top view thereof with the lid.

1 Claim, 10 Drawing Sheets

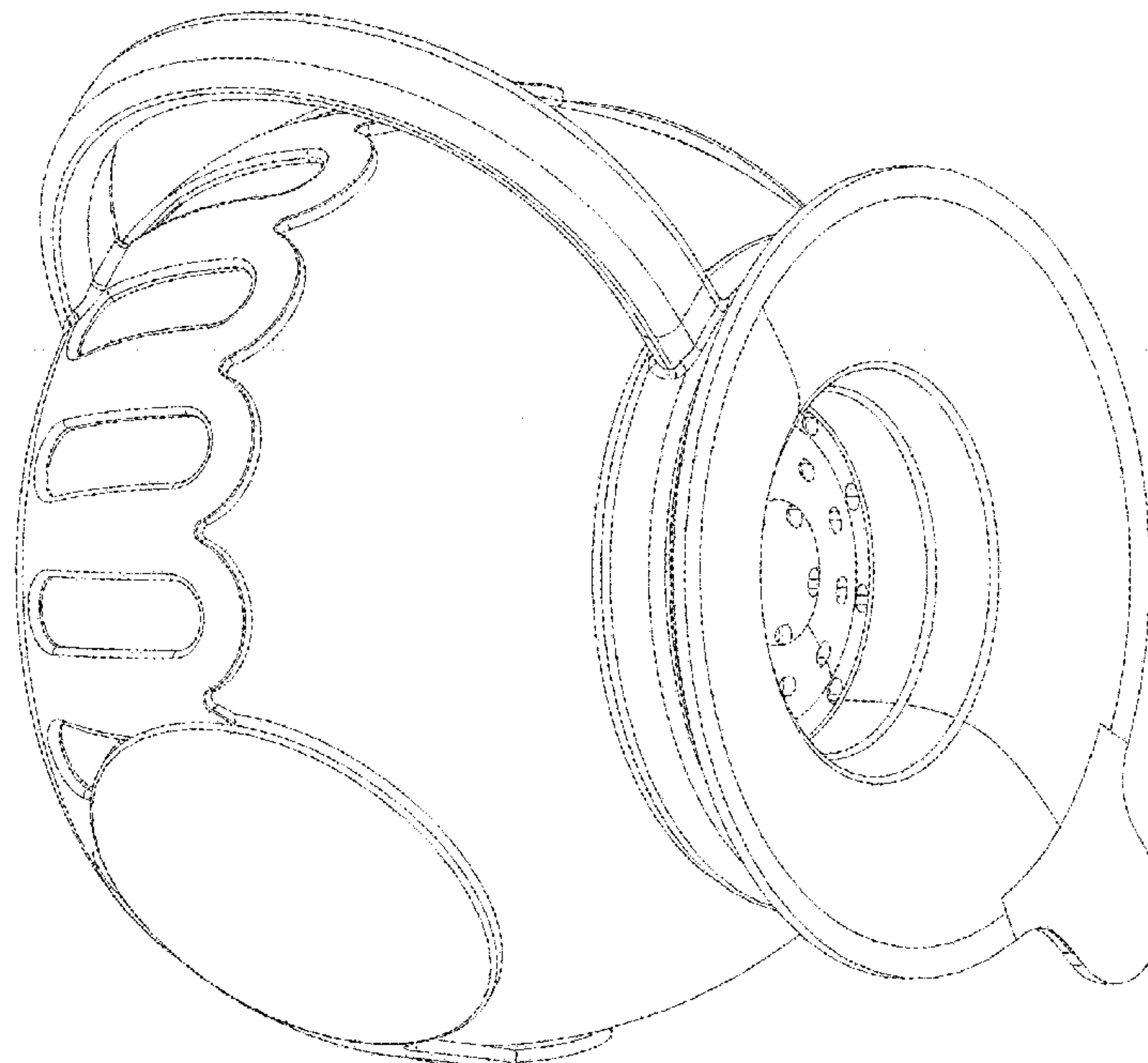


FIGURE 1

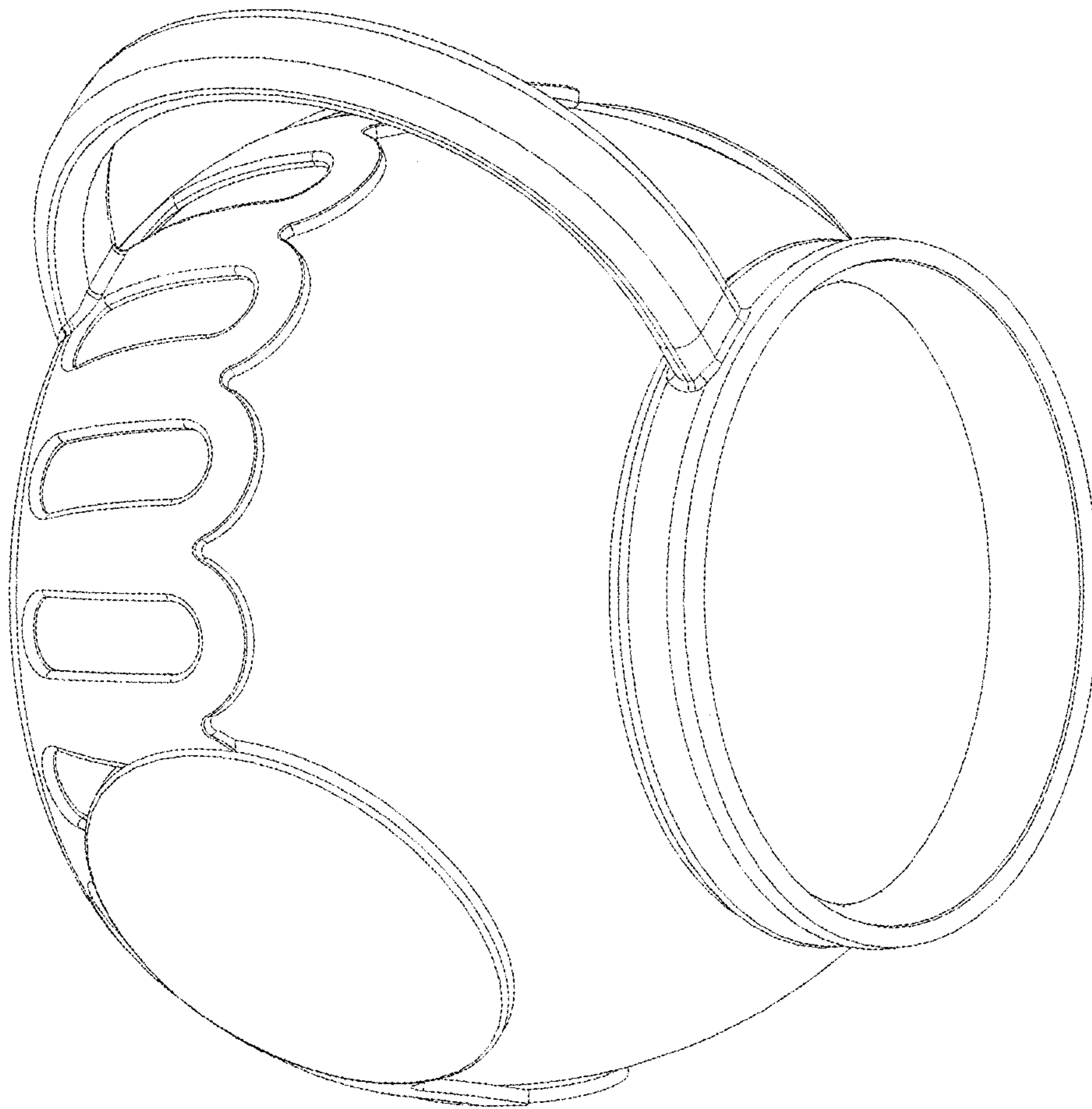


FIGURE 2

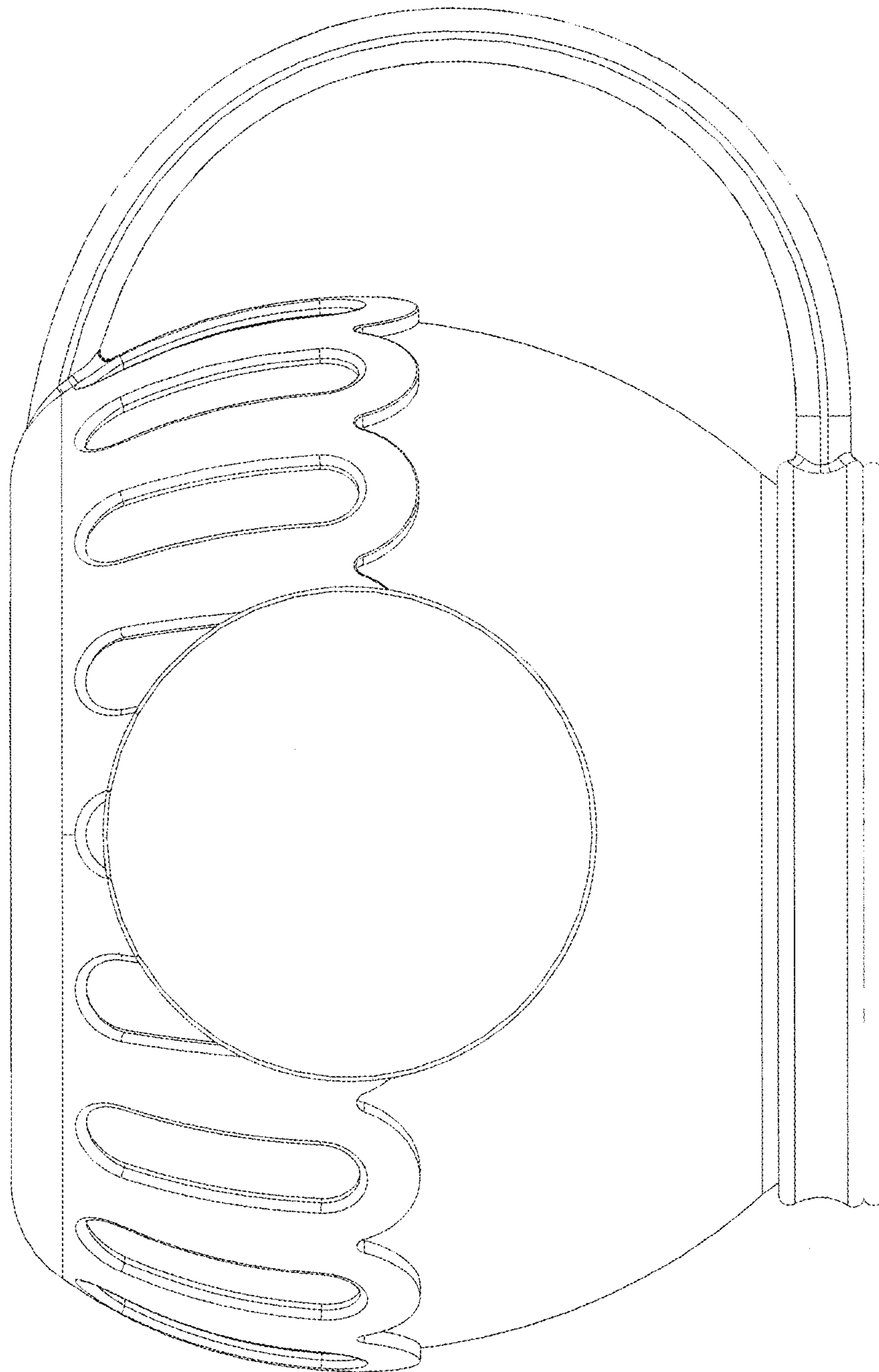


FIGURE 3

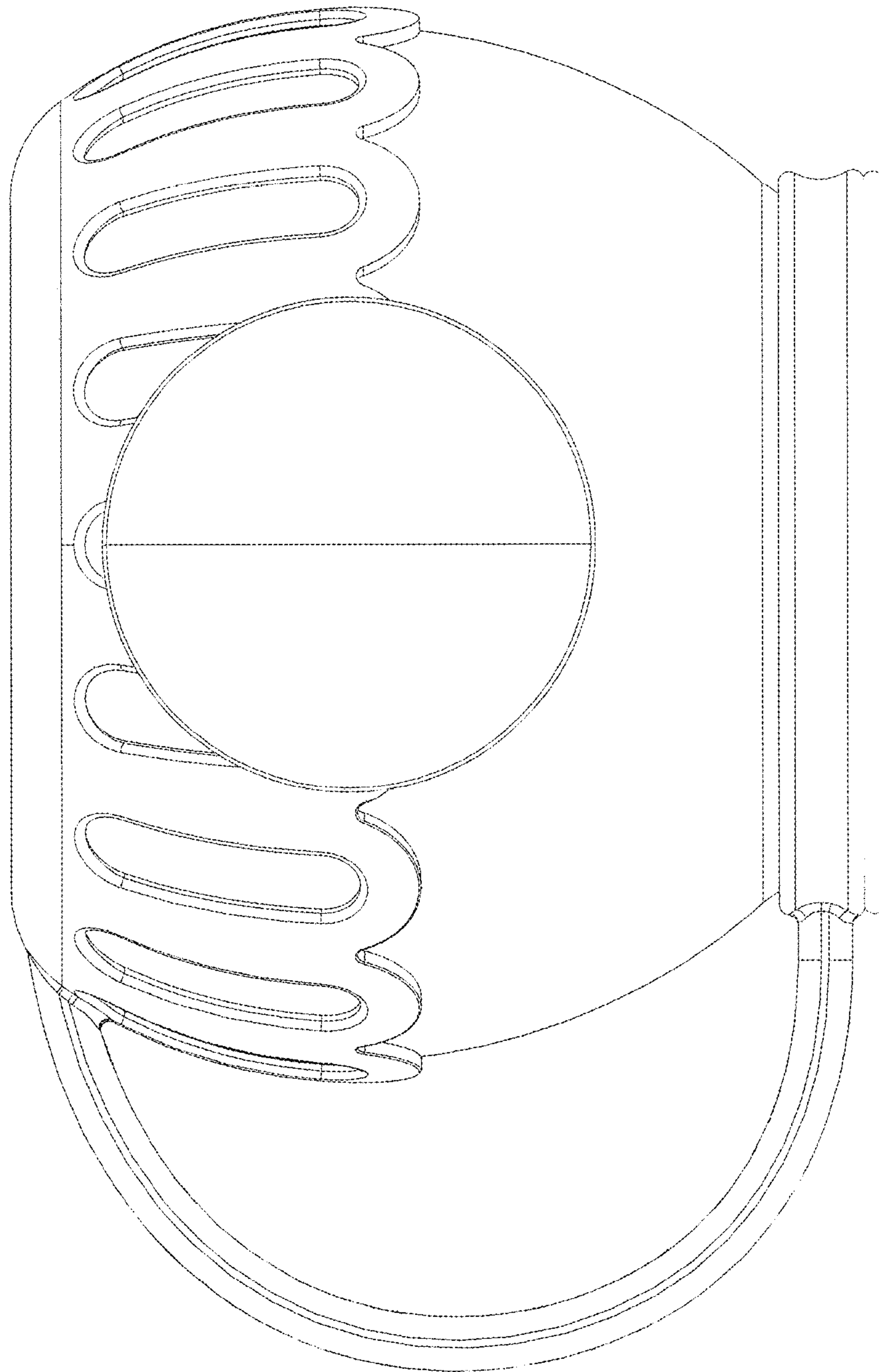


FIGURE 4

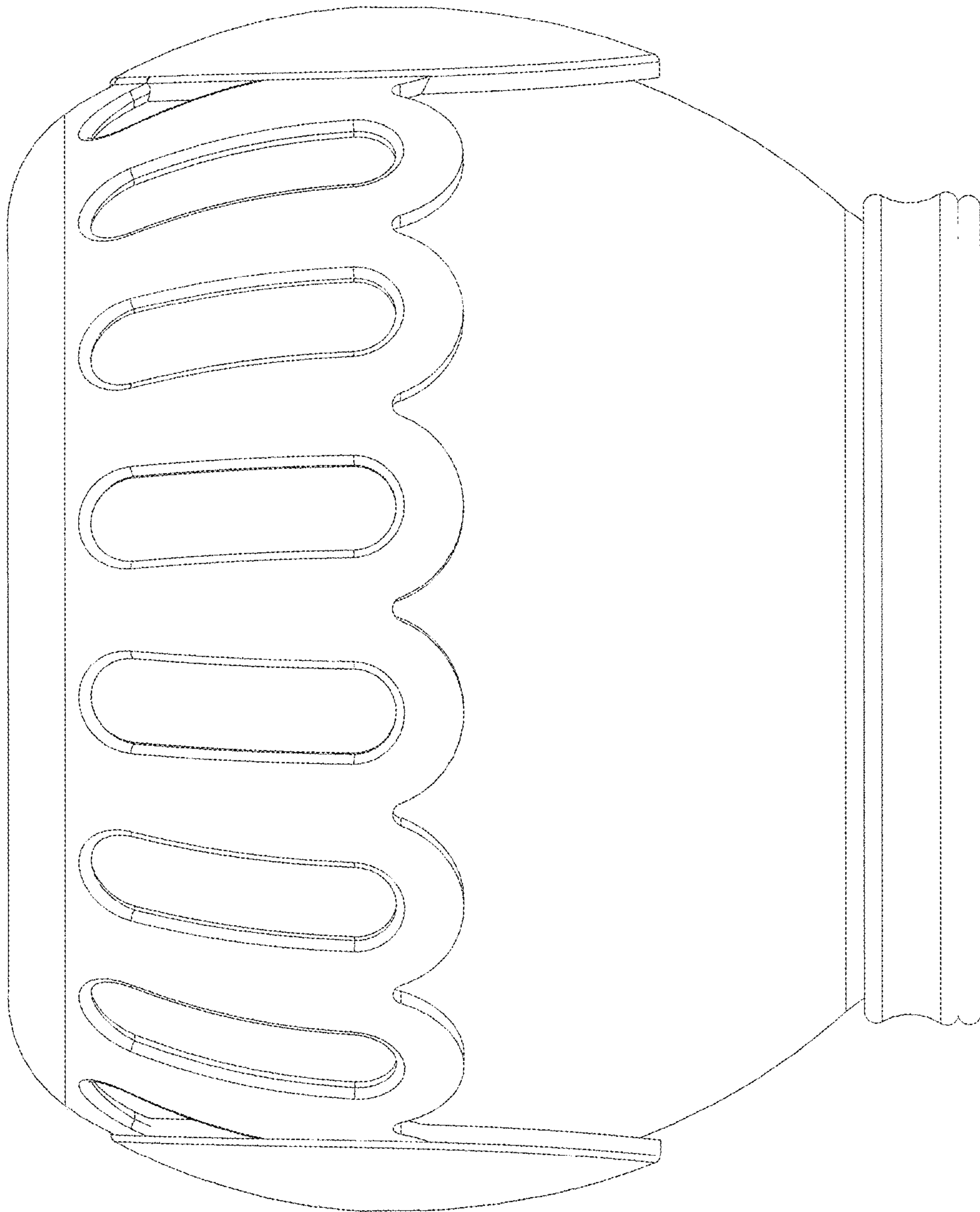


FIGURE 5

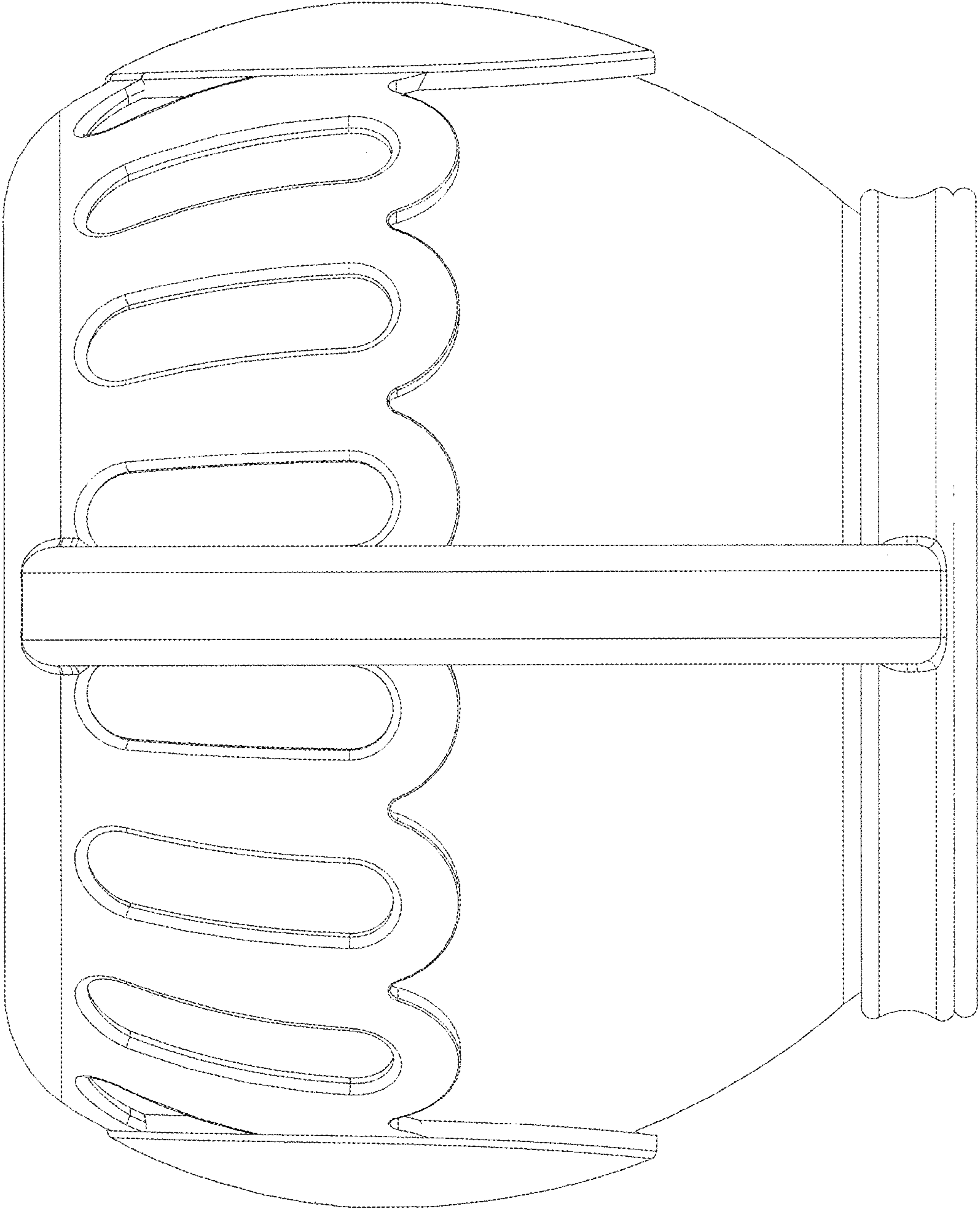


FIGURE 6

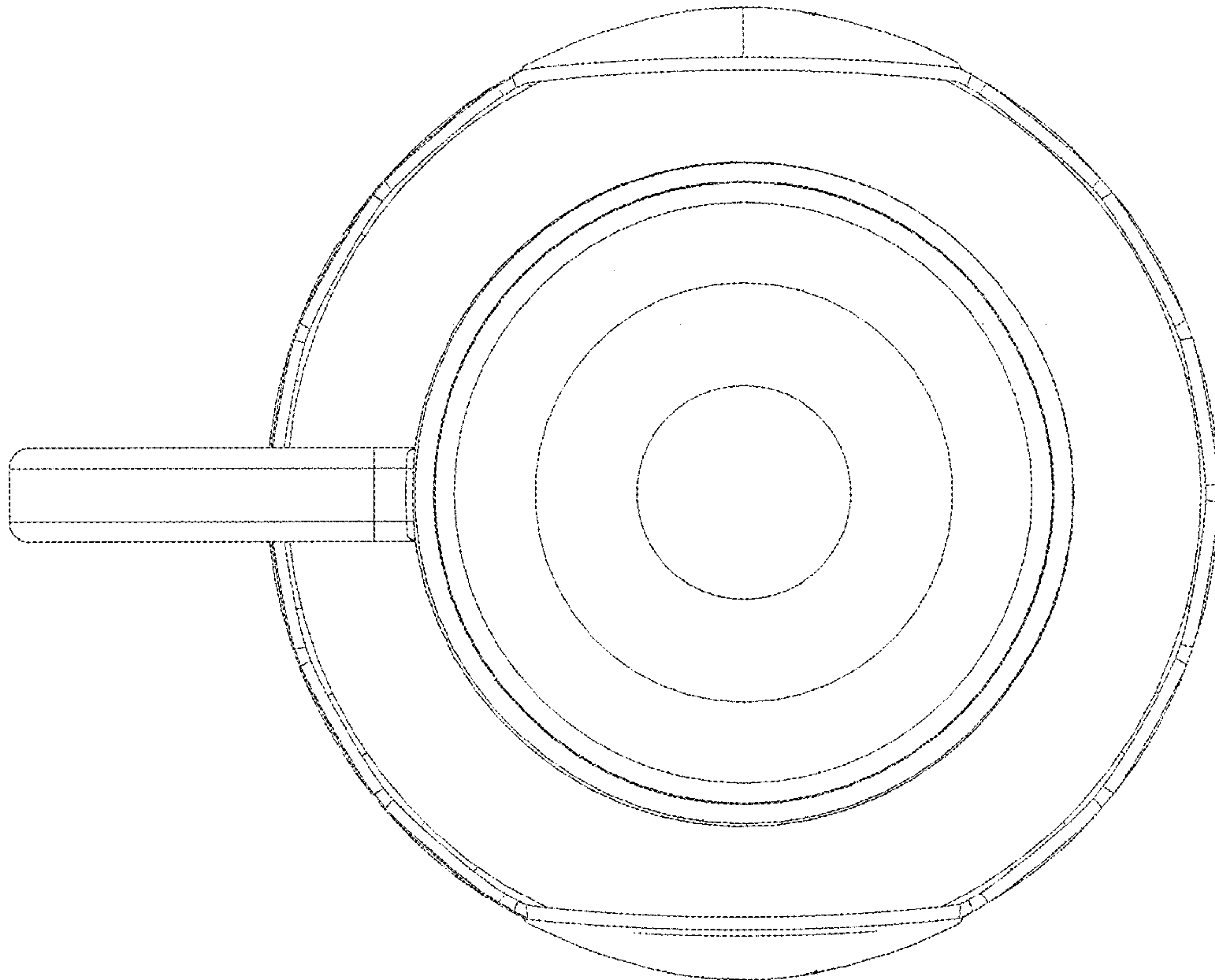


FIGURE 7

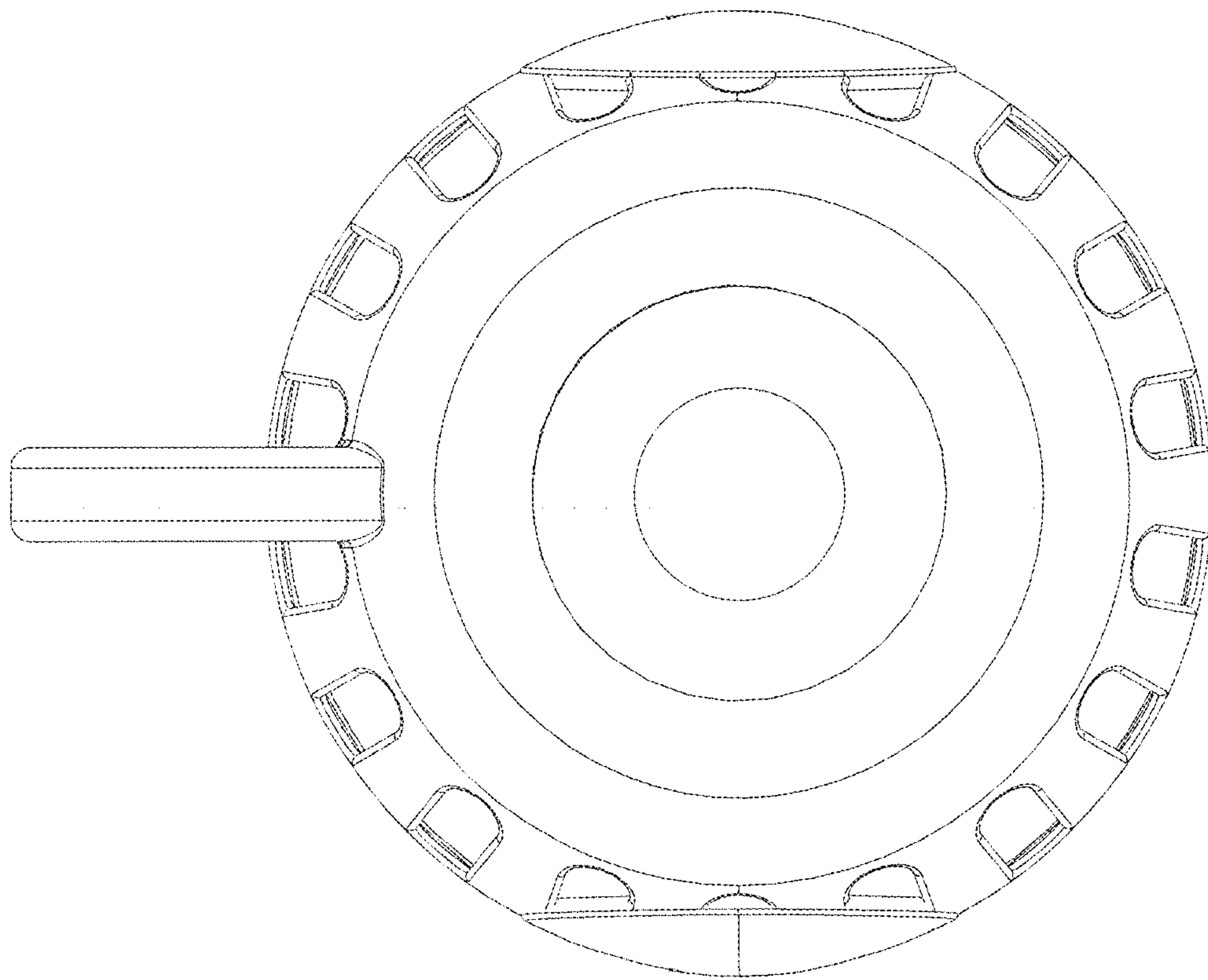


FIGURE 8

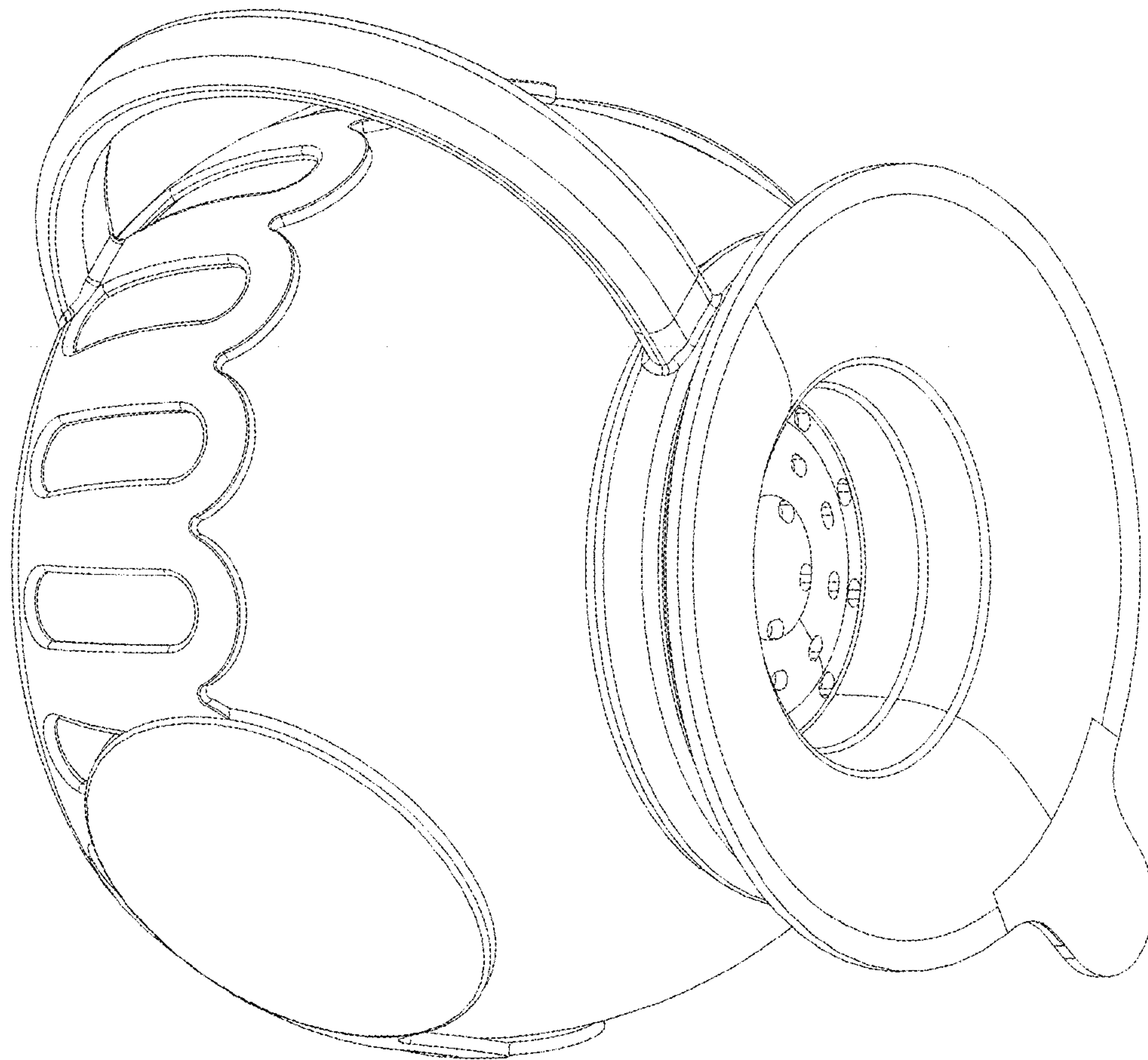


FIGURE 9

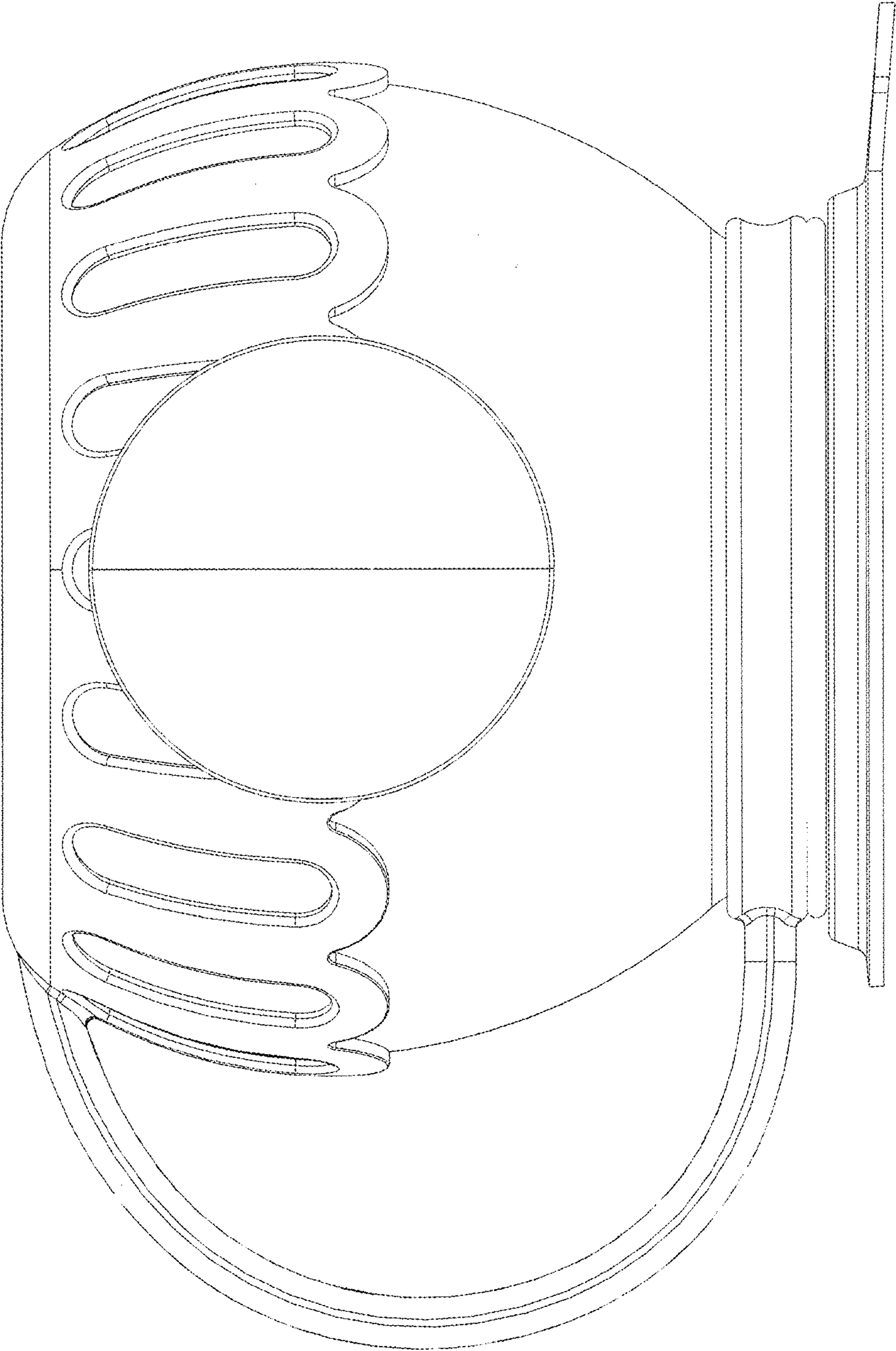


FIGURE 10

