



US00D802978S

(12) **United States Design Patent** (10) **Patent No.:** **US D802,978 S**
Kestenbaum (45) **Date of Patent:** **** Nov. 21, 2017**

- (54) **CARAFE**
- (71) Applicant: **SharkNinja Operating LLC**, Newton, MA (US)
- (72) Inventor: **Daniel Kestenbaum**, Brookline, MA (US)
- (73) Assignee: **SHARKNINJA OPERATING LLC**, Newton, MA (US)
- (**) Term: **15 Years**
- (21) Appl. No.: **29/564,778**
- (22) Filed: **May 16, 2016**
- (51) **LOC (10) Cl.** **07-01**
- (52) **U.S. Cl.**
USPC **D7/318**
- (58) **Field of Classification Search**
USPC D7/317, 318, 321; D23/209; 220/703
CPC A47J 31/06; A47G 19/14; A47G 19/145;
B65D 43/02; B01D 35/02
See application file for complete search history.

(56) **References Cited**

U.S. PATENT DOCUMENTS

D213,577 S *	3/1969	Douglas	D7/317
D225,365 S *	12/1972	Beckman	D7/317
D558,507 S *	1/2008	Picozza	D7/317
D584,912 S *	1/2009	Green	D7/317
D730,675 S *	6/2015	Williams	D7/317
D752,377 S *	3/2016	Maitland	D7/317

OTHER PUBLICATIONS

Application for Registration of an Industrial Design Examiner's Report; Canadian Application No. 171623; Mailing Date: Feb. 17, 2017; 1 Page.
 Notice of Allowance; Japanese Design Application No. 2016-024849; dated Mar. 31, 2017; 2 Pages.

Notice of Allowance; Japanese Design Application No. 2016-024850; dated Mar. 31, 2017; 2 Pages.
 Notice of Allowance; Japanese Design Application No. 2016-024851; dated Mar. 31, 2017; 2 Pages.
 Notice of Allowance; Japanese Design Application No. 2016-024852; dated Mar.31, 2017; 2 Pages.
 Notice of Allowance; Japanese Design Application No. 2016-024853; dated Mar. 31, 2017; 2 Pages.

(Continued)

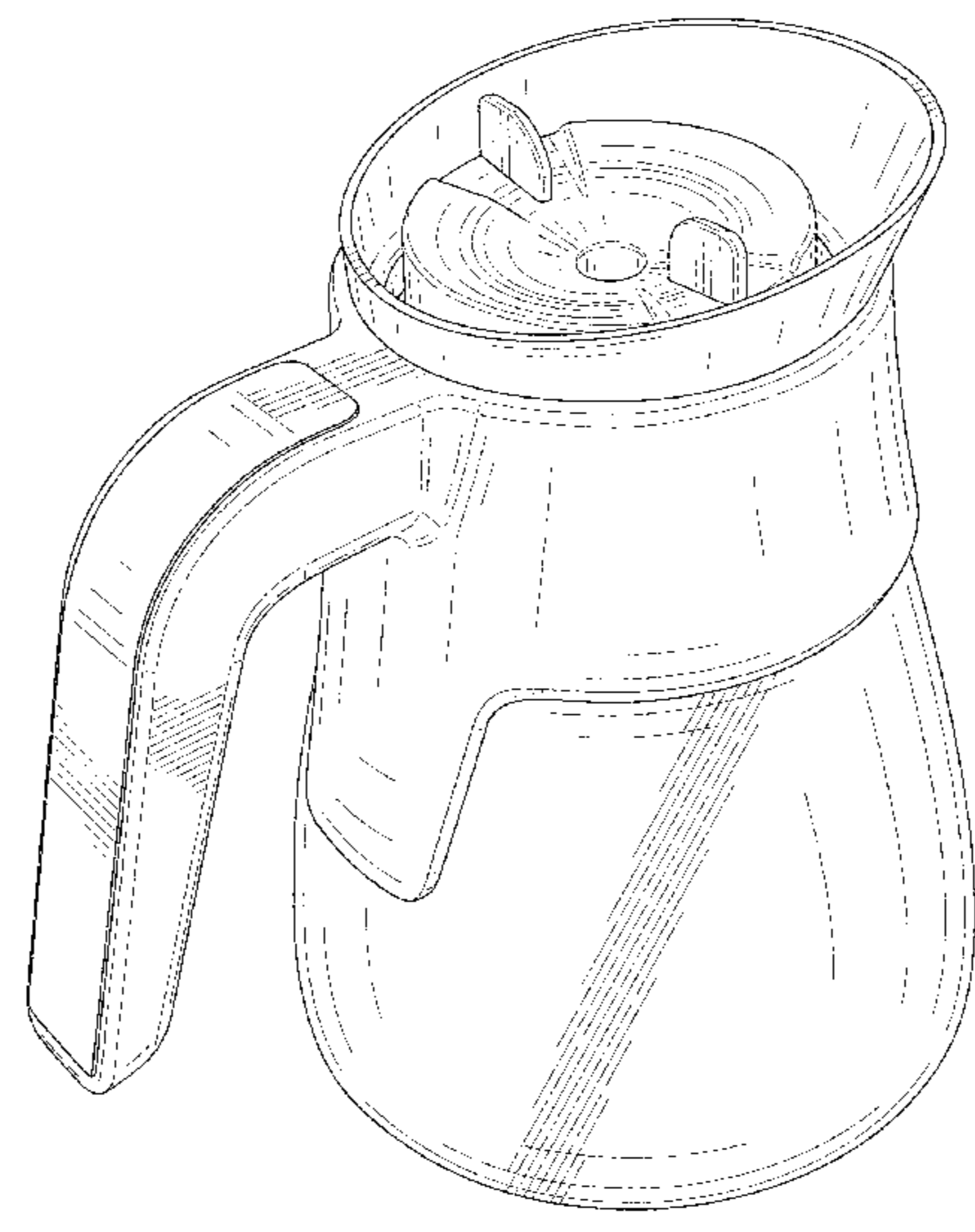
Primary Examiner — Daniel Bui
Assistant Examiner — Andrew Kerr
 (74) *Attorney, Agent, or Firm* — Cantor Colburn LLP

(57) **CLAIM**
 The ornamental design for a carafe, as shown and described.

DESCRIPTION

FIG. 1 is a perspective view of a first embodiment of a carafe, showing our new design;
 FIG. 2 is a front view thereof;
 FIG. 3 is a rear view thereof;
 FIG. 4 is a left side view thereof;
 FIG. 5 is a right side view thereof;
 FIG. 6 is a top view thereof;
 FIG. 7 is a bottom view thereof;
 FIG. 8 is a perspective view of a second embodiment of a carafe, showing our new design;
 FIG. 9 is a front view thereof;
 FIG. 10 is a rear view thereof;
 FIG. 11 is a left side view thereof;
 FIG. 12 is a right side view thereof;
 FIG. 13 is a top view thereof; and,
 FIG. 14 is a bottom view thereof.
 The broken lines in the figures are for environmental purposes only and form no part of the claimed design.
 The oblique line shading shows a transparent or translucent surface.

1 Claim, 14 Drawing Sheets



(56)

References Cited

OTHER PUBLICATIONS

Notice of Allowance; Japanese Design Application No. 2016-024854; dated Mar. 31, 2017; 2 Pages.

Notice of Allowance; Japanese Design Application No. 2016-024855; dated Mar. 31, 2017; 2 Pages.

Notice of Completion of Formalities for Patent Register and Notice of Grant of Design Patent Right; Chinese Application No. 2016305567649; dated Jan. 19, 2017; 5 Pages.

Notice of Completion of Formalities for Patent Register and Notice of Grant of Design Patent Right; Chinese Application No. 2016305570459; dated Jan. 19, 2017; 5 Pages.

Notice of Completion of Formalities for Patent Register and Notice of Grant of Design Patent Right; Chinese Application No. 201630557068X; dated Jan. 19, 2017; 5 Pages.

Notice of Completion of Formalities for Patent Register and Notice of Grant of Design Patent Right; Chinese Application No. 2016305573207; dated Jan. 17, 2017; 5 Pages.

Notice of References; Japanese Design Application No. 2016-024849; dated Mar. 31, 2017; 2 Pages.

Notice of References; Japanese Design Application No. 2016-024850; dated Mar. 31, 2017; 2 Pages.

* cited by examiner

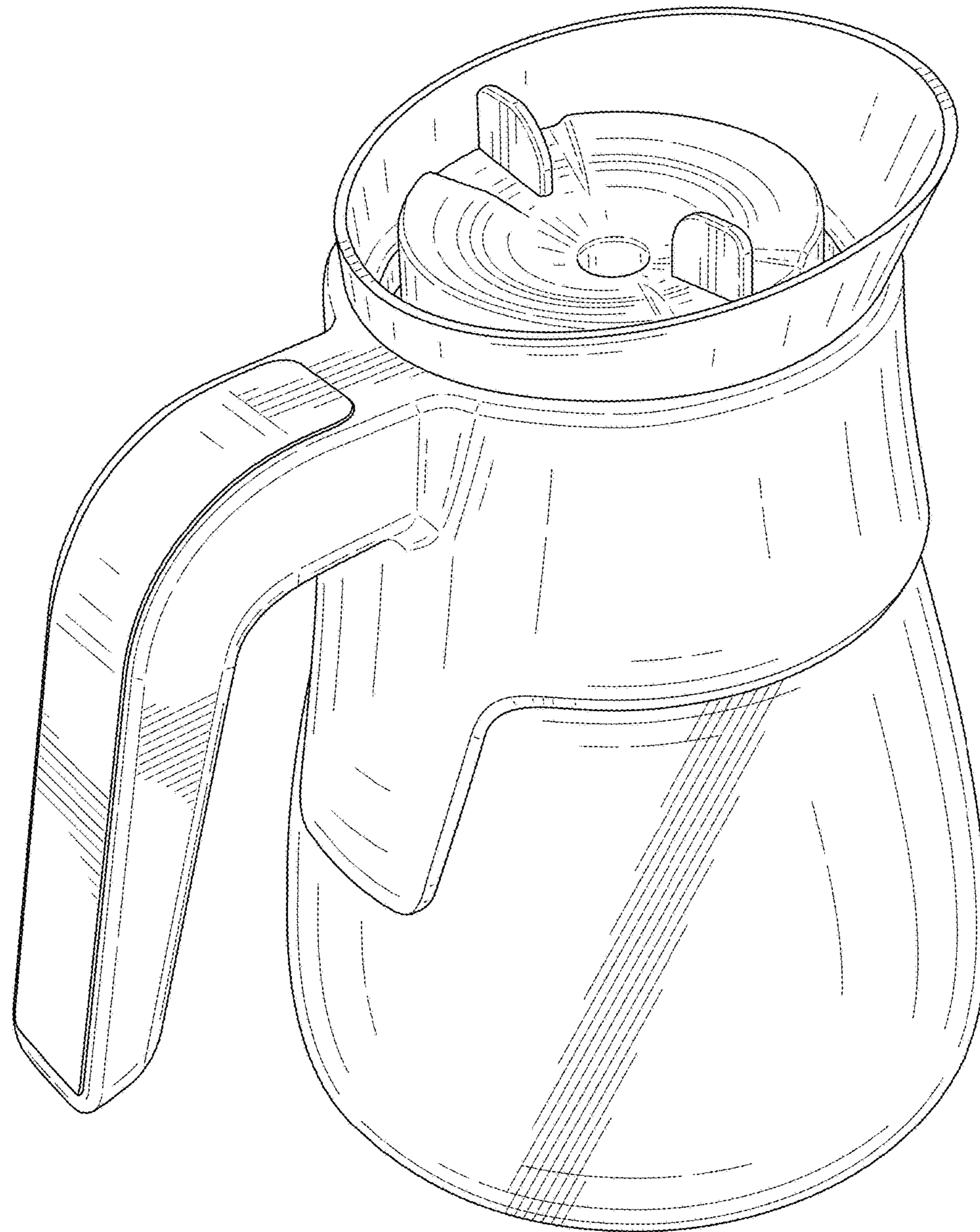


FIG. 1

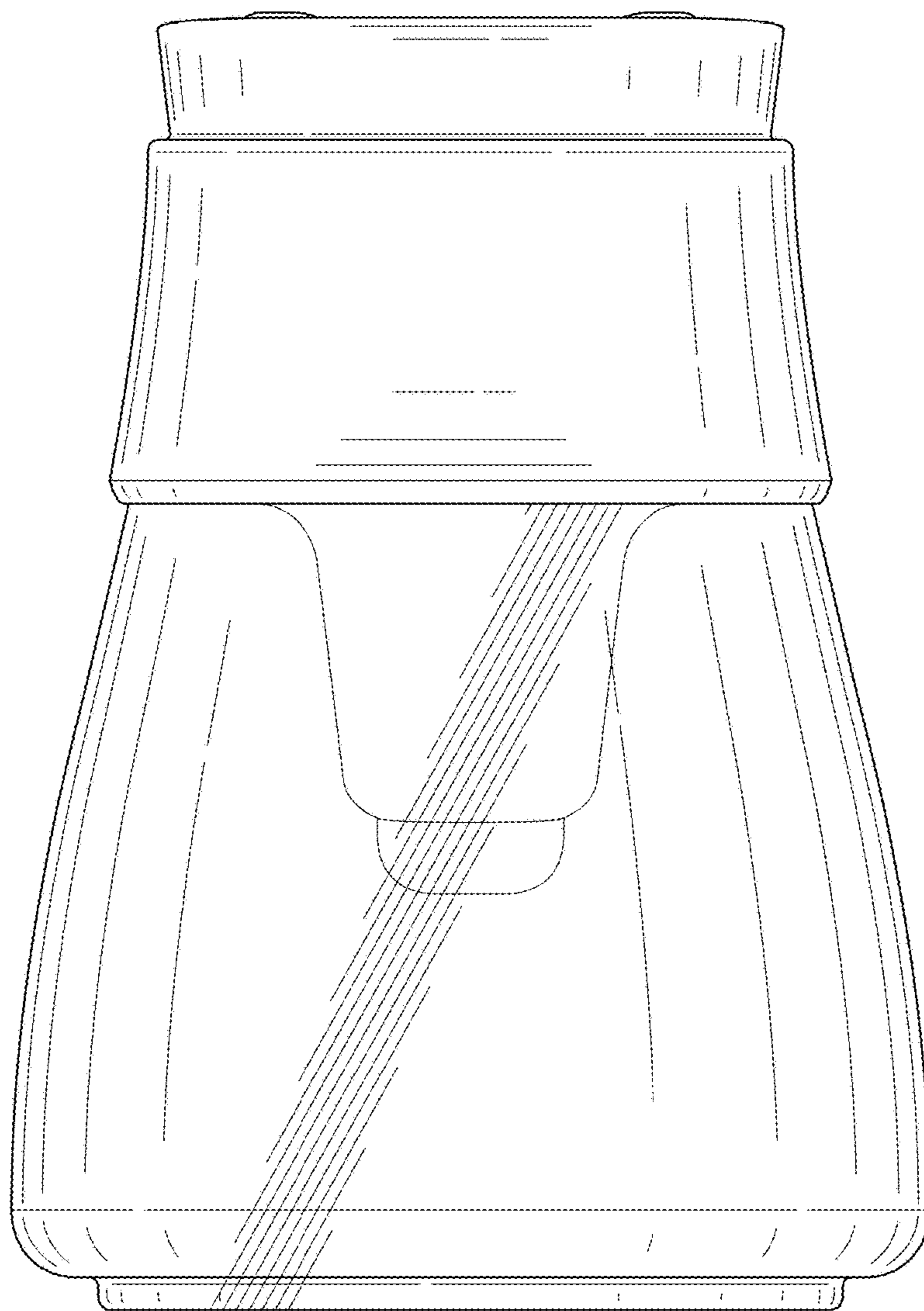


FIG. 2

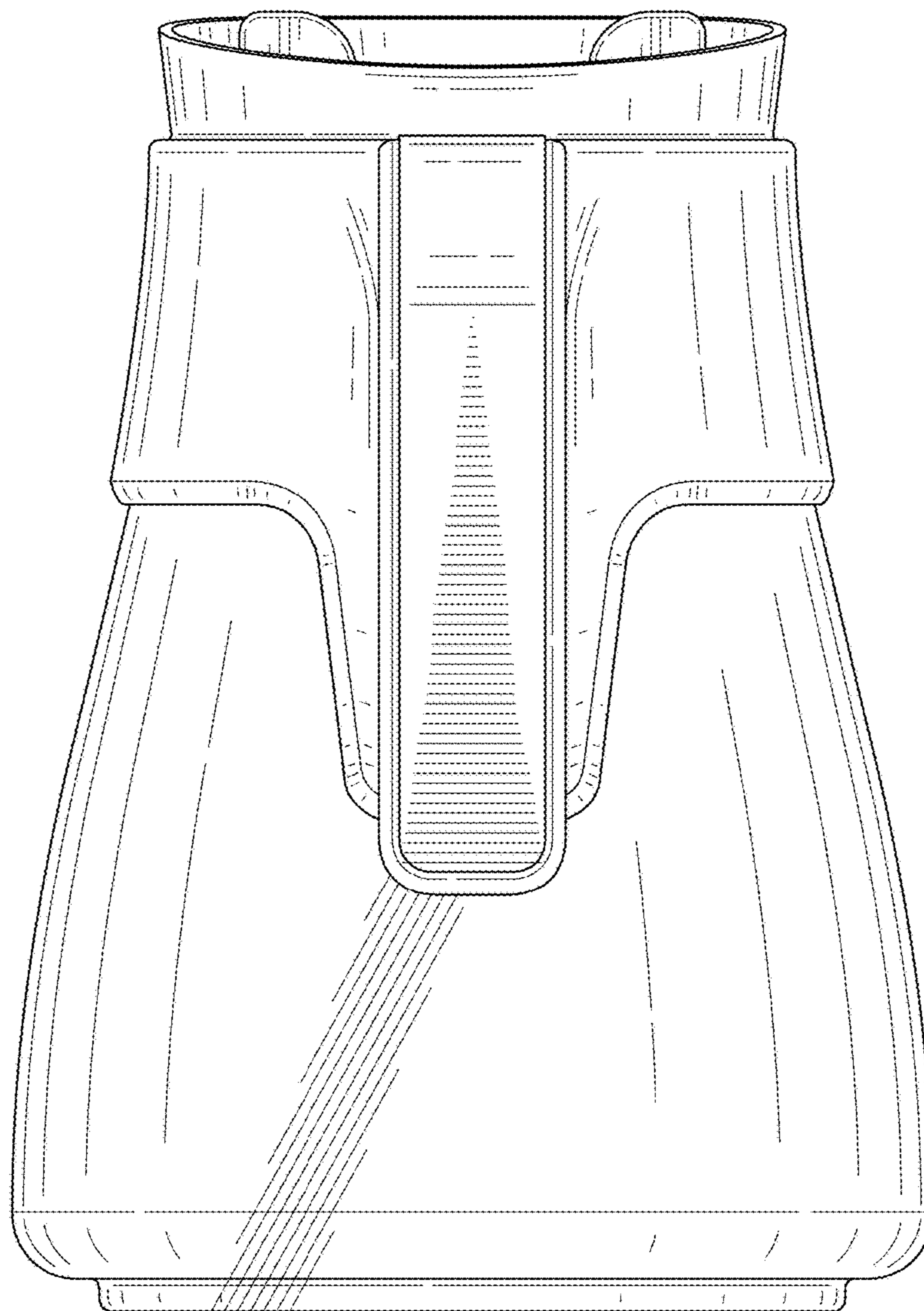


FIG. 3

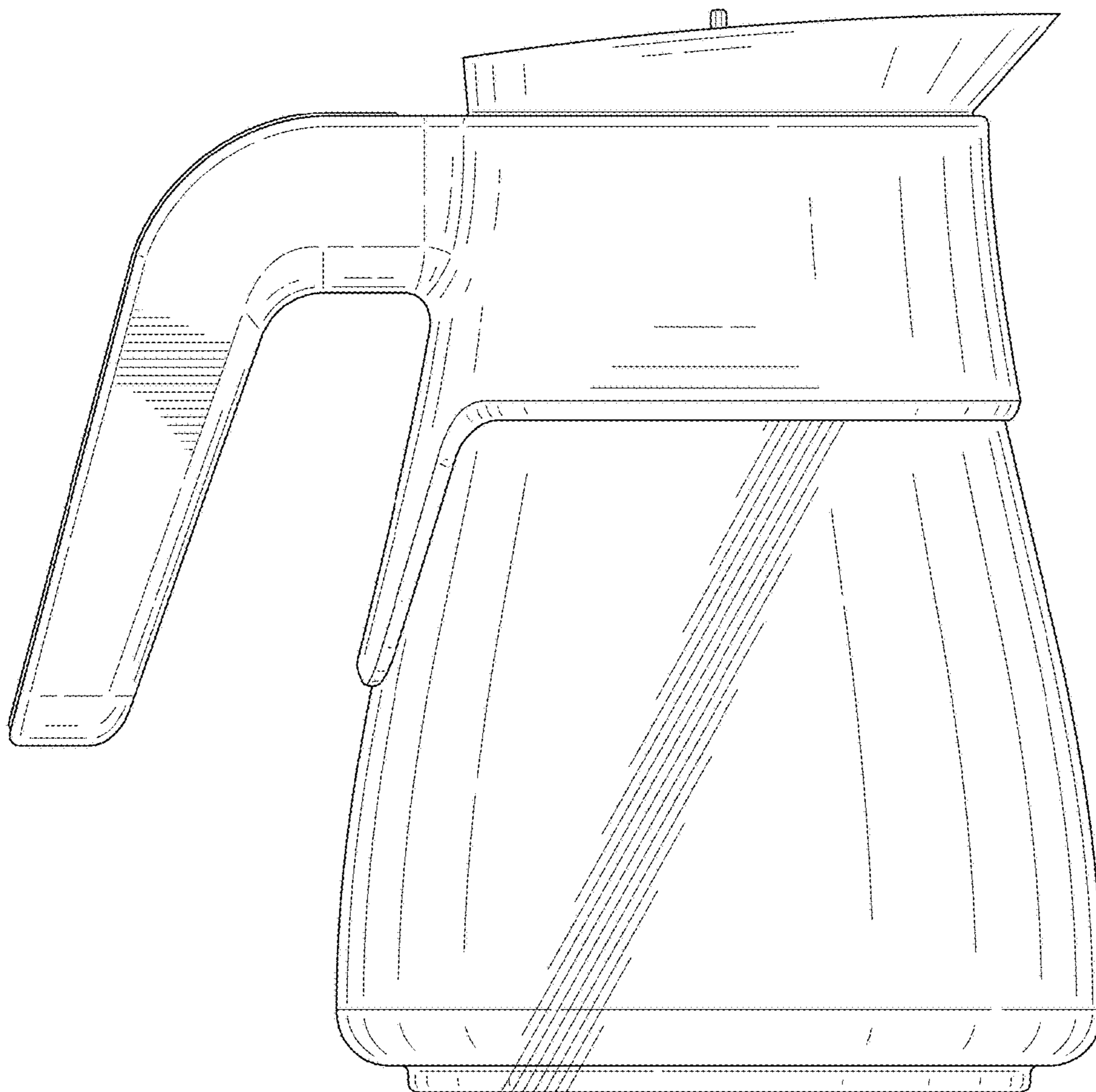


FIG. 4

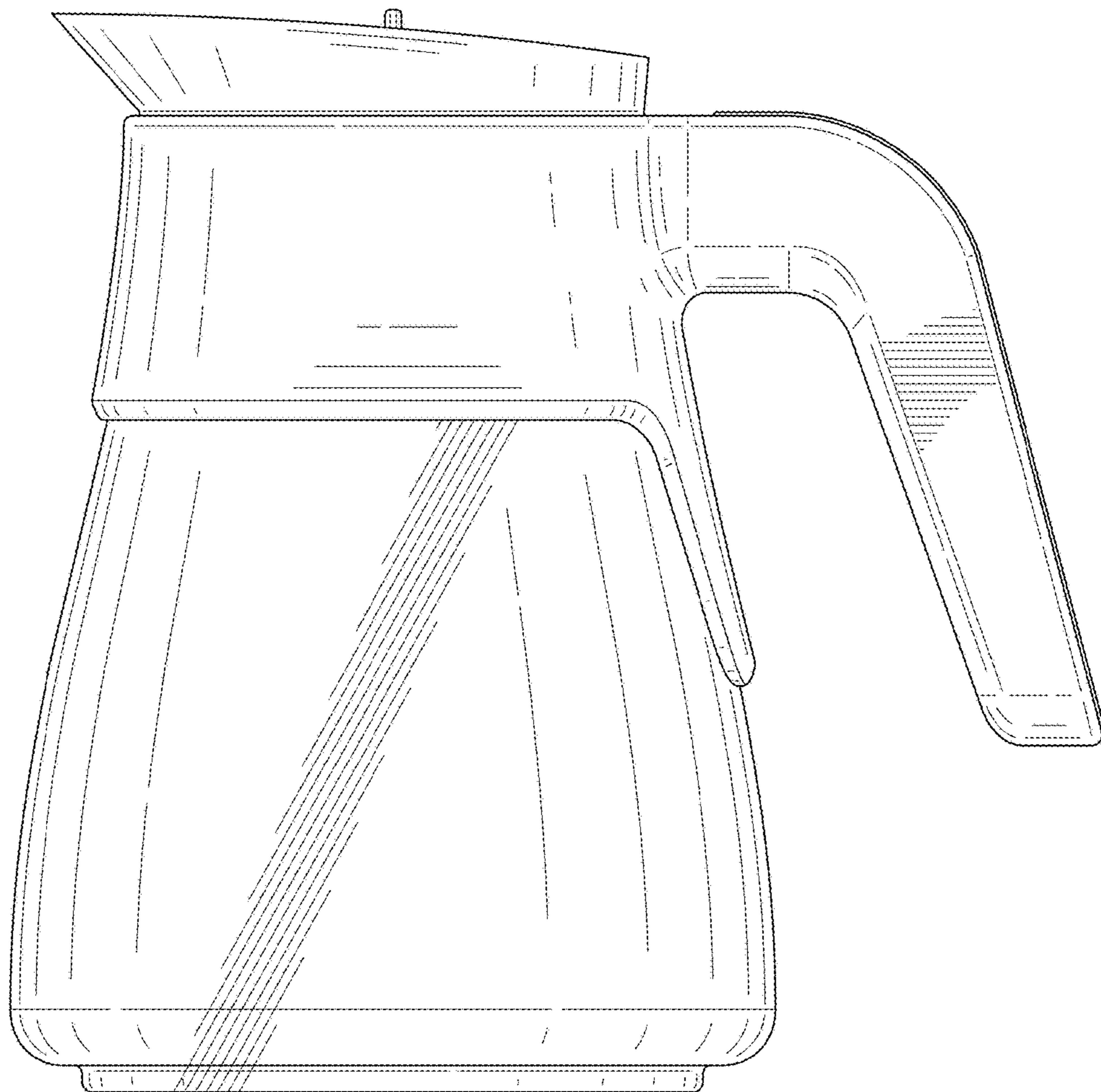


FIG. 5

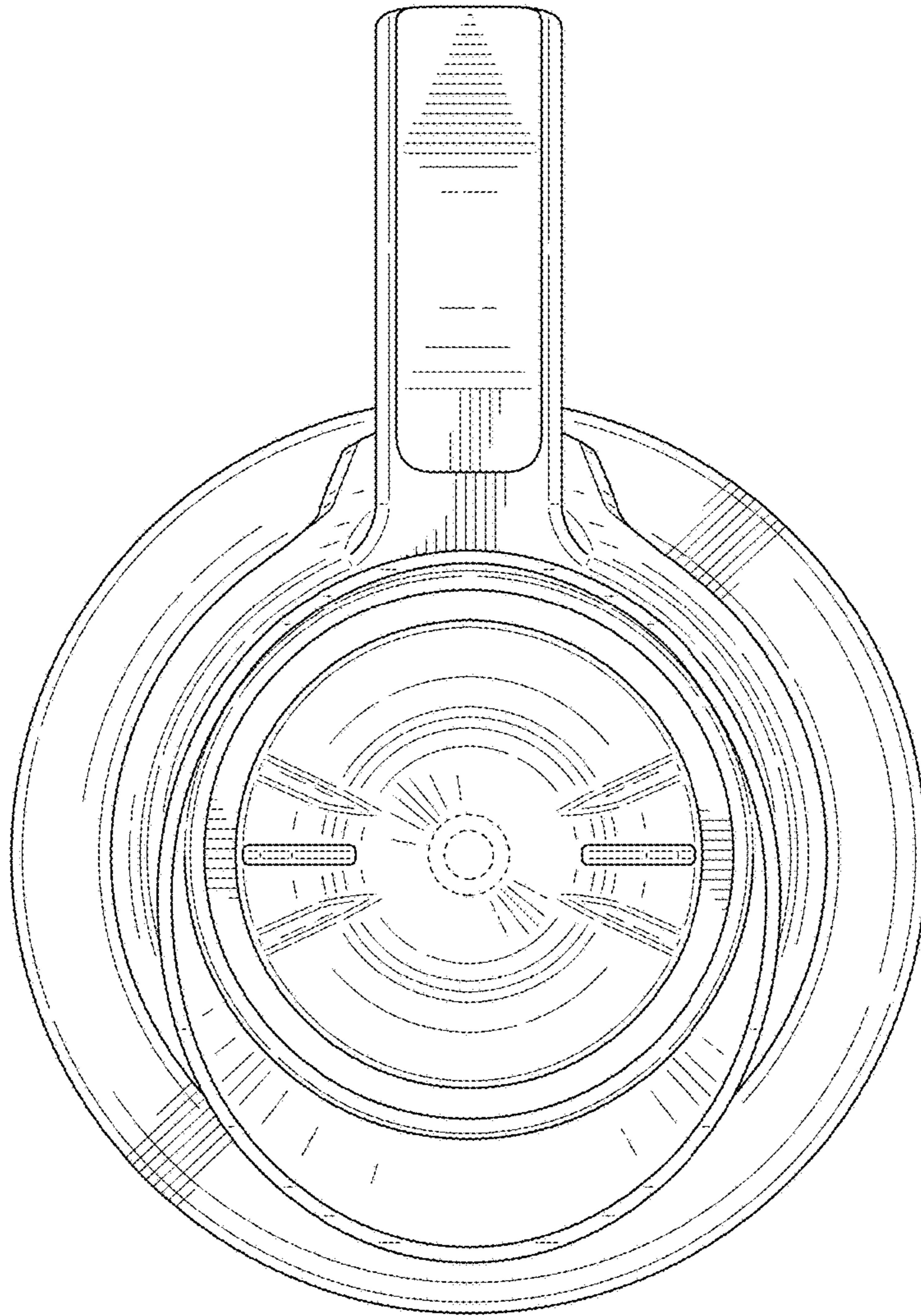


FIG. 6

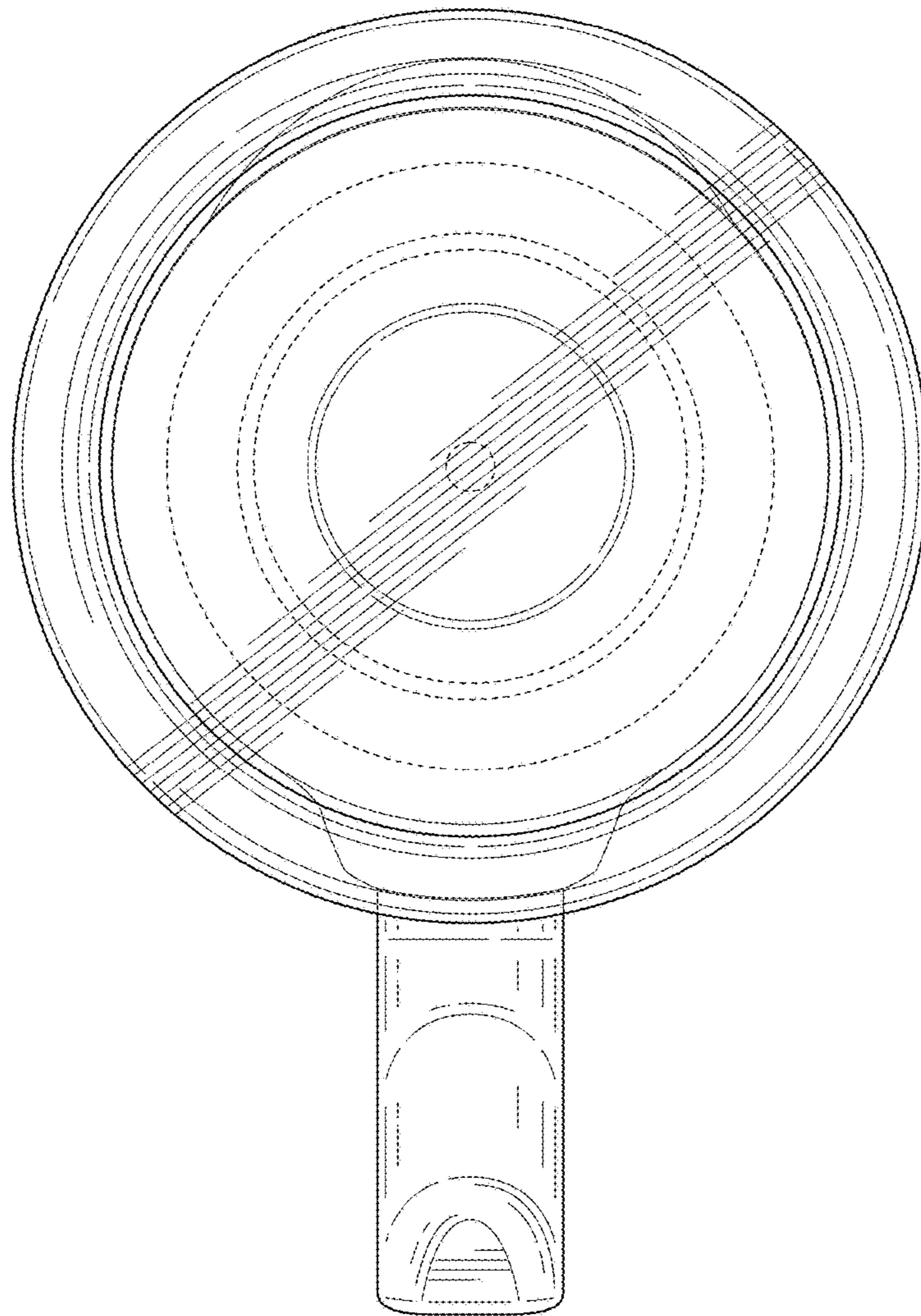


FIG. 7

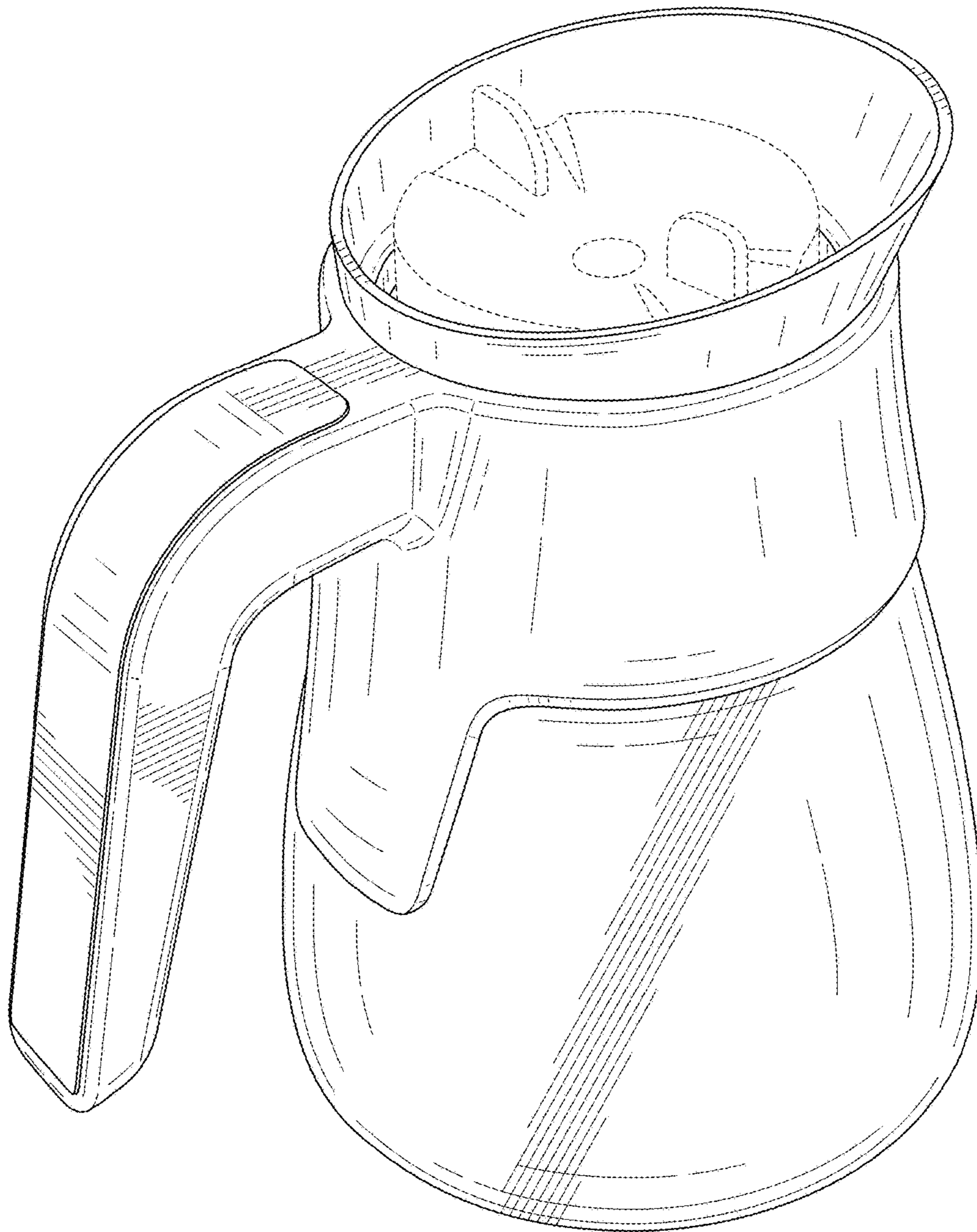


FIG. 8

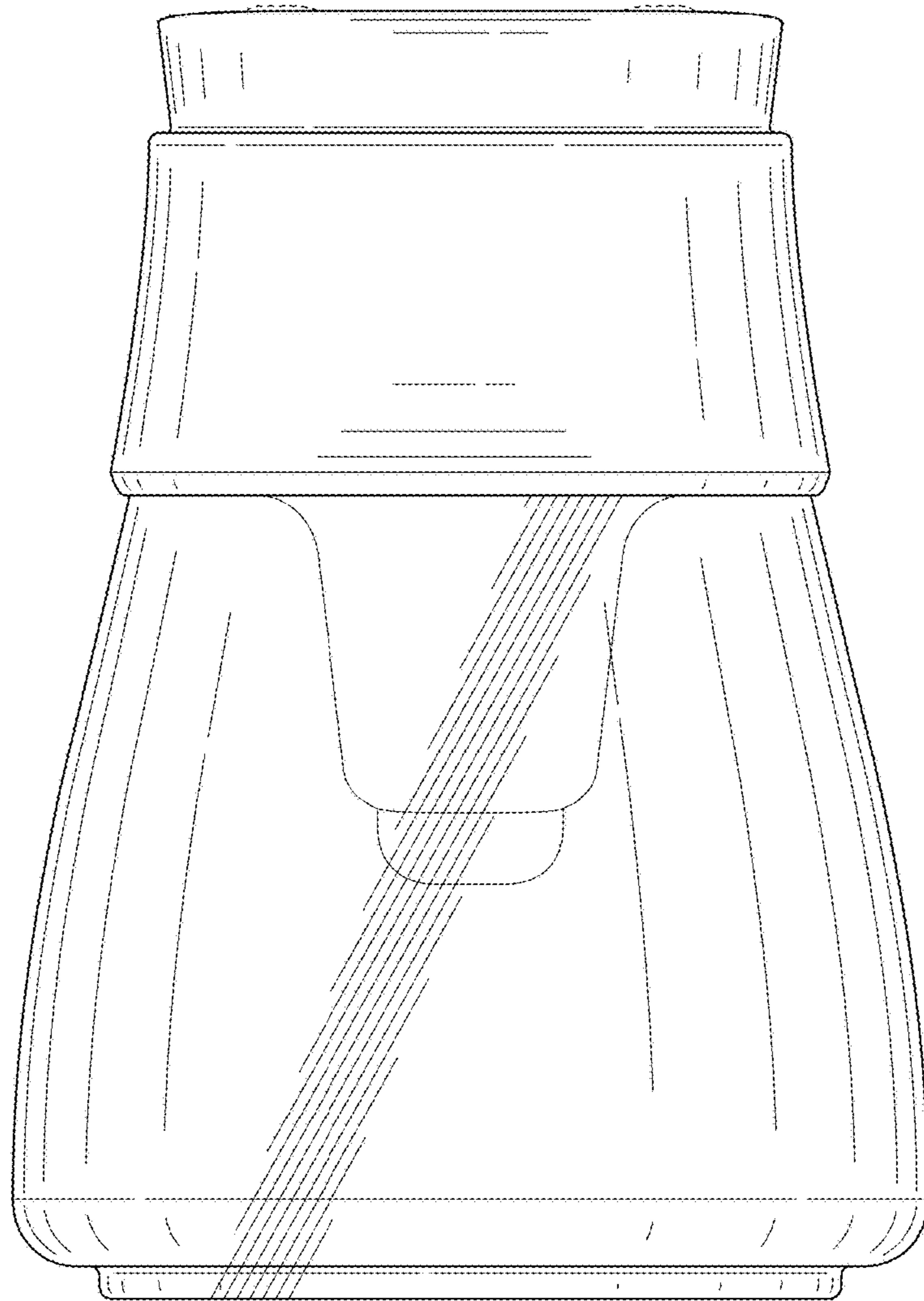


FIG. 9

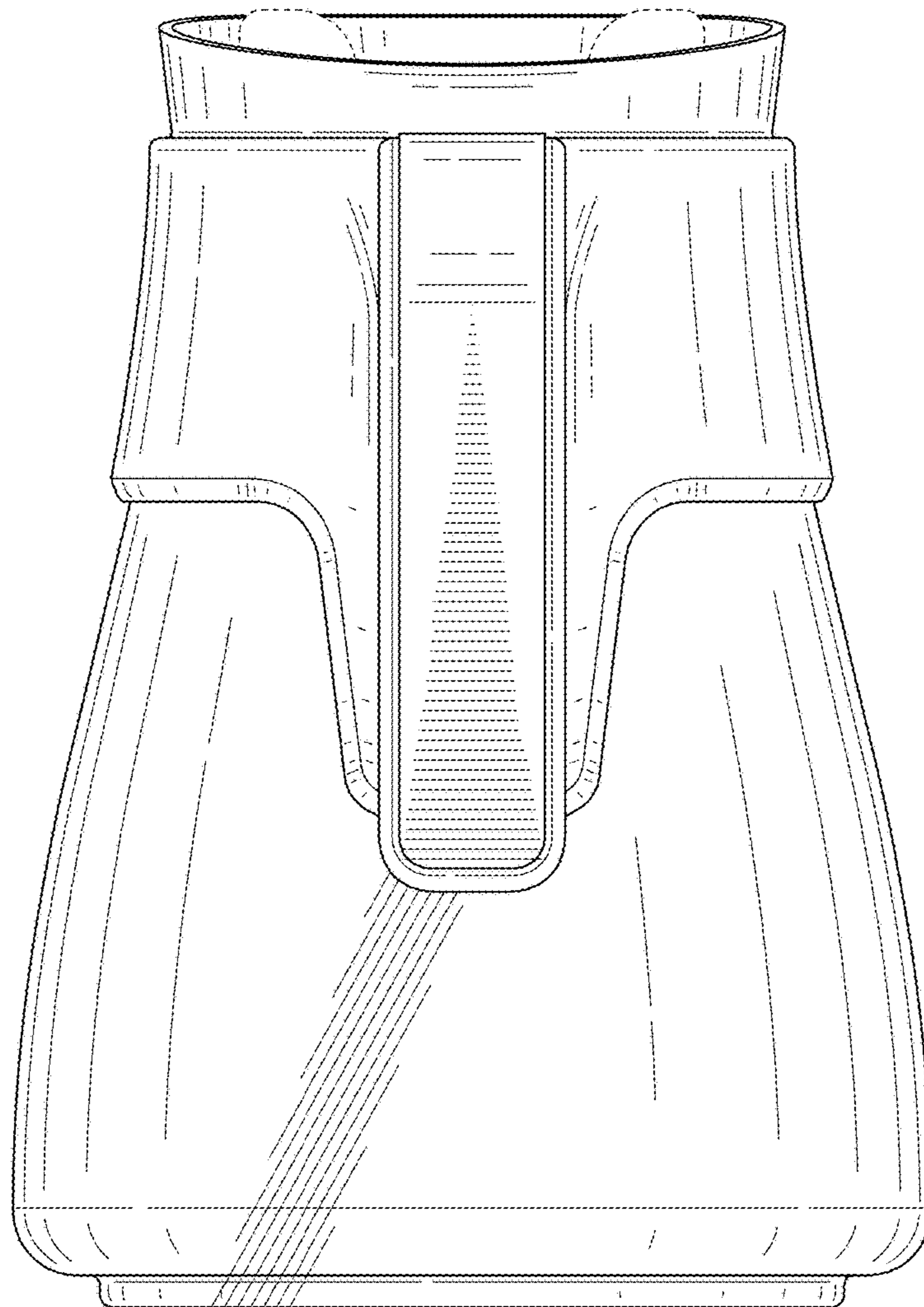


FIG. 10

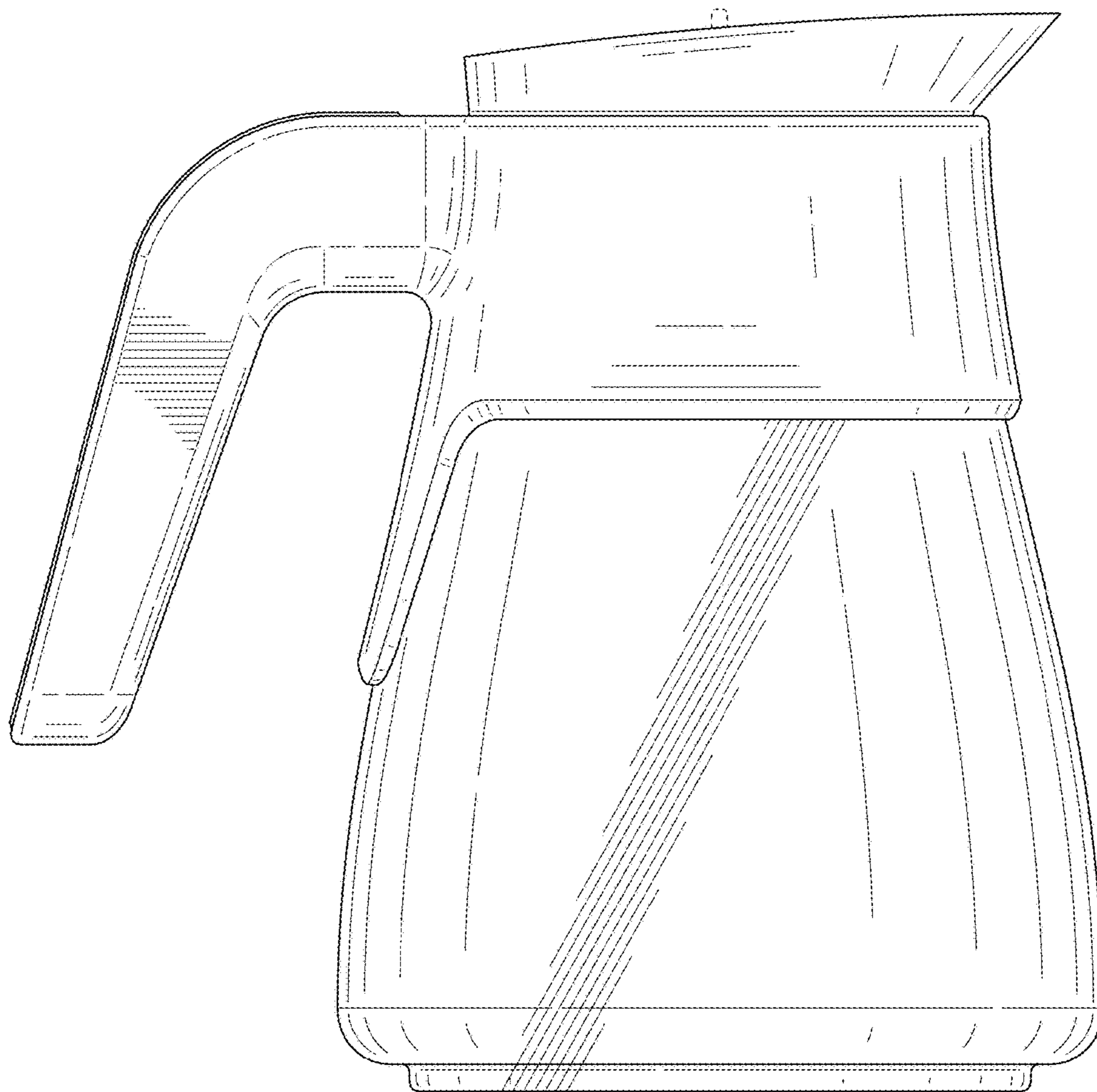


FIG. 11

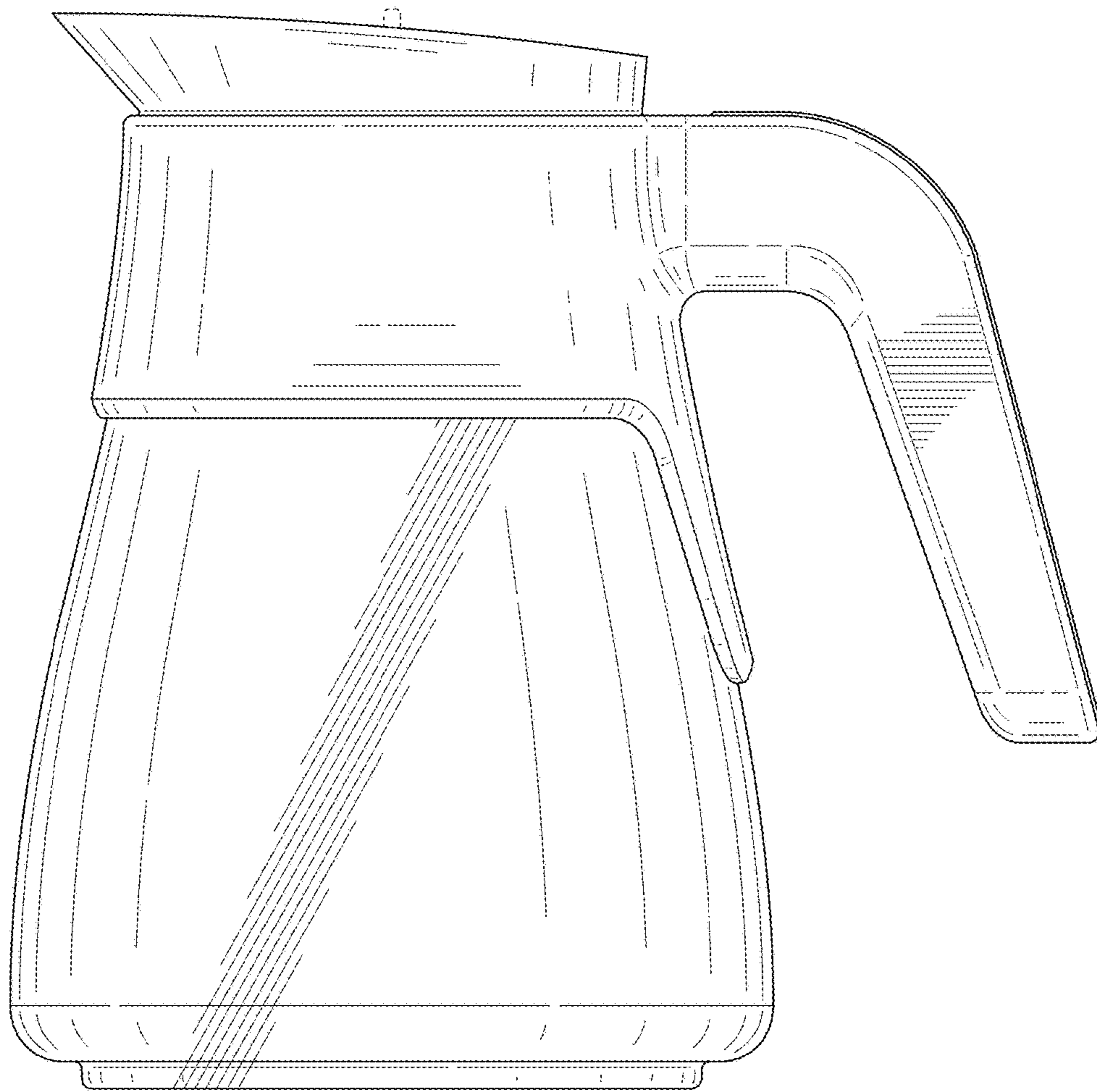


FIG. 12

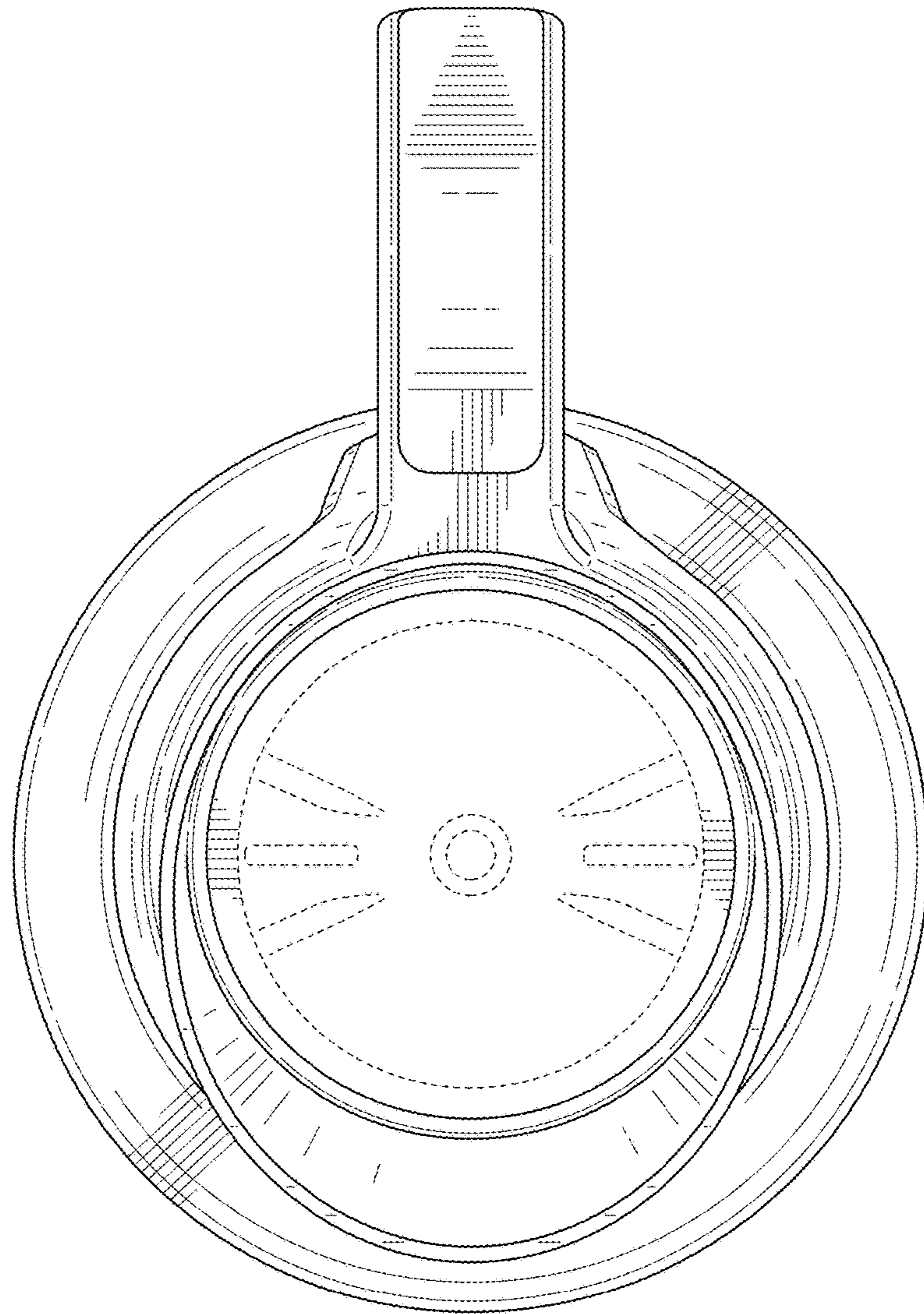


FIG. 13

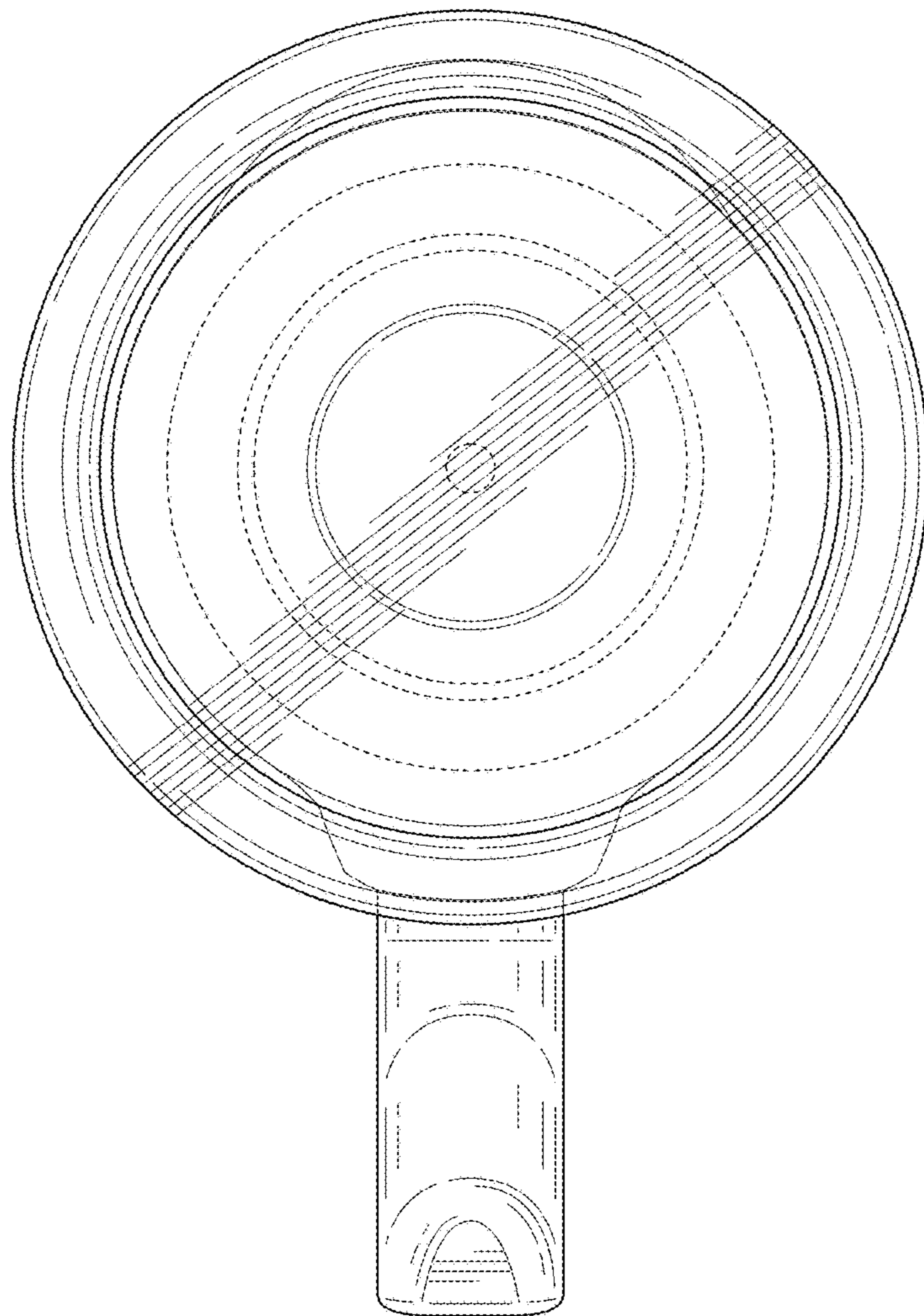


FIG. 14