



US00D802976S

(12) **United States Design Patent** (10) **Patent No.:** **US D802,976 S**  
**Buchik** (45) **Date of Patent:** **\*\* Nov. 21, 2017**

(54) **BEVERAGE DISPENSER**

(71) Applicant: **Sergei Aleksandrovich Buchik**,  
Novosibirsk (RU)

(72) Inventor: **Sergei Aleksandrovich Buchik**,  
Novosibirsk (RU)

(\*\*) Term: **15 Years**

(21) Appl. No.: **29/561,348**

(22) Filed: **Apr. 15, 2016**

|              |         |             |       |           |
|--------------|---------|-------------|-------|-----------|
| D431,145 S * | 9/2000  | Woebcke     | ..... | D7/306    |
| D436,282 S * | 1/2001  | Kauzlarich  | ..... | D7/306    |
| D474,365 S * | 5/2003  | Valentino   | ..... | D7/300    |
| D499,598 S * | 12/2004 | Guadalupi   | ..... | D7/306    |
| D502,832 S * | 3/2005  | Muehlhausen | ..... | D6/551    |
| D531,444 S * | 11/2006 | Ohashi      | ..... | D7/306    |
| D533,388 S * | 12/2006 | Cahen       | ..... | D7/306    |
| D650,625 S * | 12/2011 | Fiori       | ..... | D7/306    |
| D655,562 S * | 3/2012  | Schenk      | ..... | D7/307    |
| D722,806 S * | 2/2015  | Leyva       | ..... | B67D 1/06 |
|              |         |             |       | D7/306    |
| D725,437 S * | 3/2015  | McIntyre    | ..... | D7/307    |
| D759,416 S * | 6/2016  | Kim         | ..... | D7/306    |
| D776,971 S * | 1/2017  | Crowell     | ..... | D7/307    |

\* cited by examiner

**Related U.S. Application Data**

(63) Continuation-in-part of application No. 29/543,844,  
filed on Oct. 28, 2015.

(51) **LOC (10) Cl.** ..... **07-01**

(52) **U.S. Cl.**  
USPC ..... **D7/313; D7/300**

(58) **Field of Classification Search**  
USPC ..... D7/305-311, 313, 300; D15/82;  
222/129.1, 146.6, 153.03; 99/295;  
D30/121, 132  
CPC ..... A47J 31/44; A47J 31/4403; A47J 31/46;  
B67D 1/36; B67D 2210/0065; B67D  
1/0864

See application file for complete search history.

(56) **References Cited**

**U.S. PATENT DOCUMENTS**

|              |         |           |       |        |
|--------------|---------|-----------|-------|--------|
| D267,856 S * | 2/1983  | Smith     | ..... | D7/313 |
| D298,602 S * | 11/1988 | Price     | ..... | D7/313 |
| D299,689 S * | 2/1989  | Laycock   | ..... | D7/313 |
| D300,106 S * | 3/1989  | Paulin    | ..... | D7/309 |
| D356,713 S * | 3/1995  | Groover   | ..... | D7/306 |
| D380,641 S * | 7/1997  | Randle    | ..... | D7/306 |
| D412,262 S * | 7/1999  | Roundtree | ..... | D7/307 |

*Primary Examiner* — Marianne Pandozzi

(74) *Attorney, Agent, or Firm* — Bryant J. Keller; Kirton  
McConkie

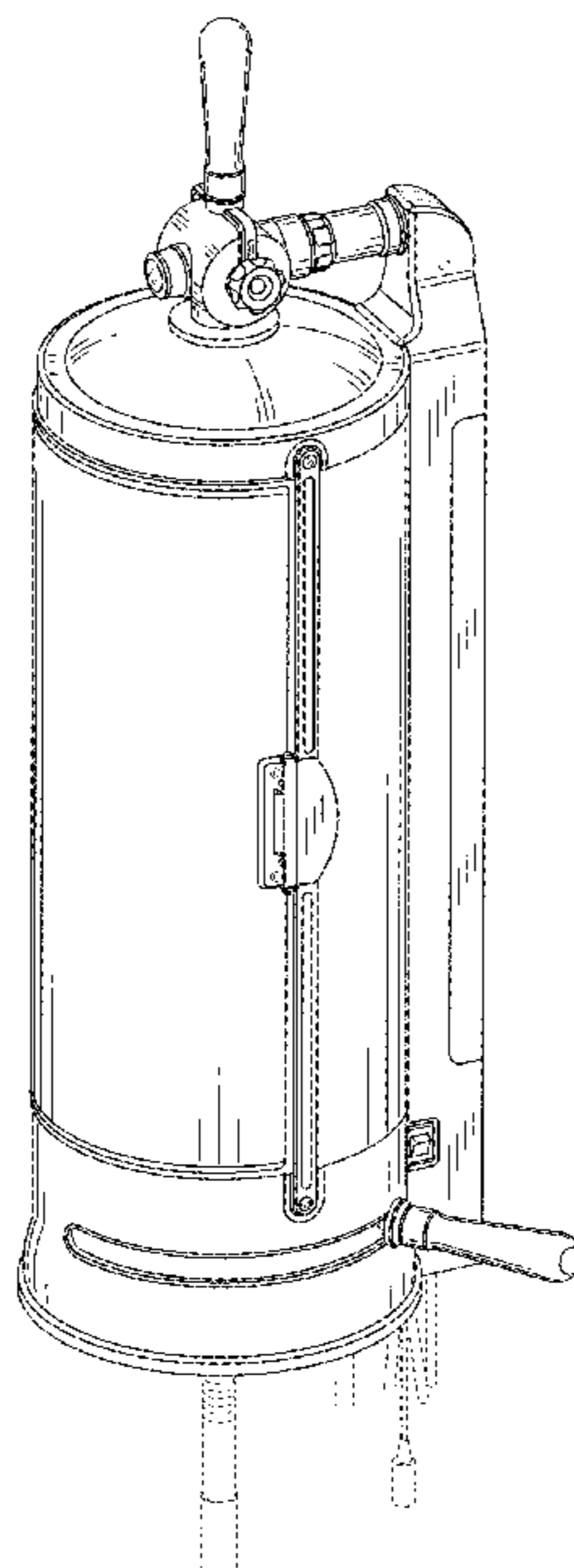
(57) **CLAIM**

The ornamental design for a beverage dispenser, as shown  
and described.

**DESCRIPTION**

FIG. 1 is a front, right side perspective view of a beverage  
dispenser, showing my new design;  
FIG. 2 is a front, right side perspective view thereof with a  
door in an opened position;  
FIG. 3 is a front view thereof;  
FIG. 4 is a rear view thereof;  
FIG. 5 is a left side elevation view thereof;  
FIG. 6 is a right side elevation view thereof;  
FIG. 7 is a top plan view thereof; and,  
FIG. 8 is a bottom plan view thereof.  
The broken lines in the drawings depict portions of the  
beverage dispenser that form no part of the claimed design.

**1 Claim, 5 Drawing Sheets**



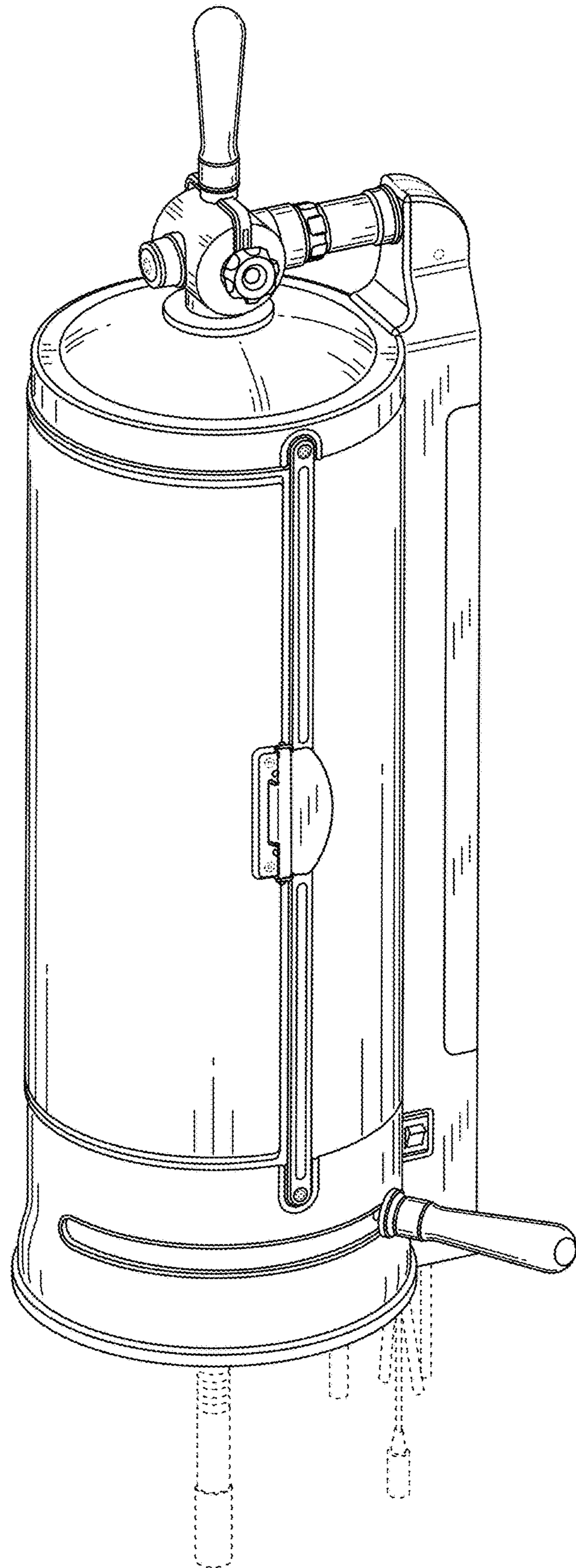


FIG. 1

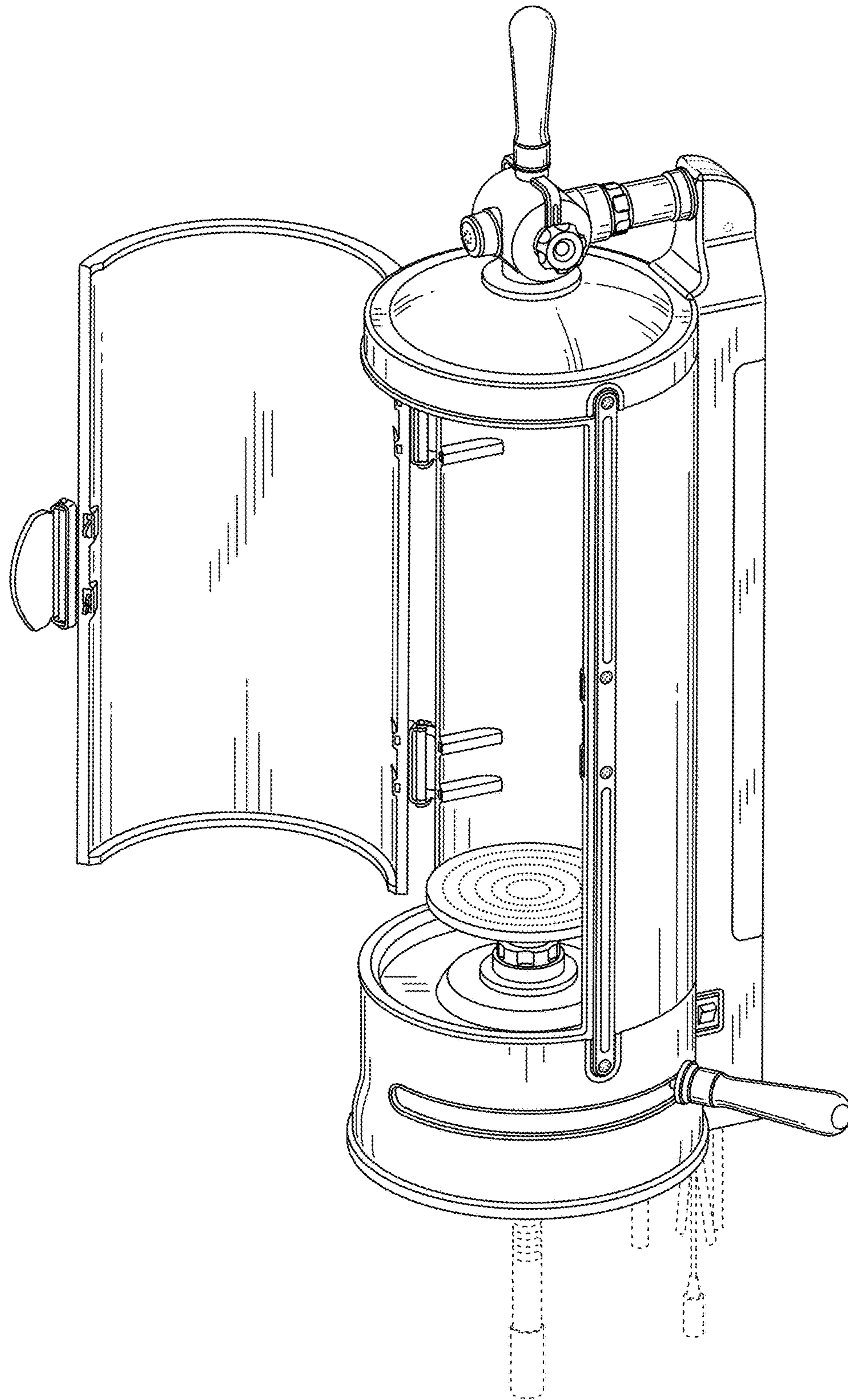


FIG. 2

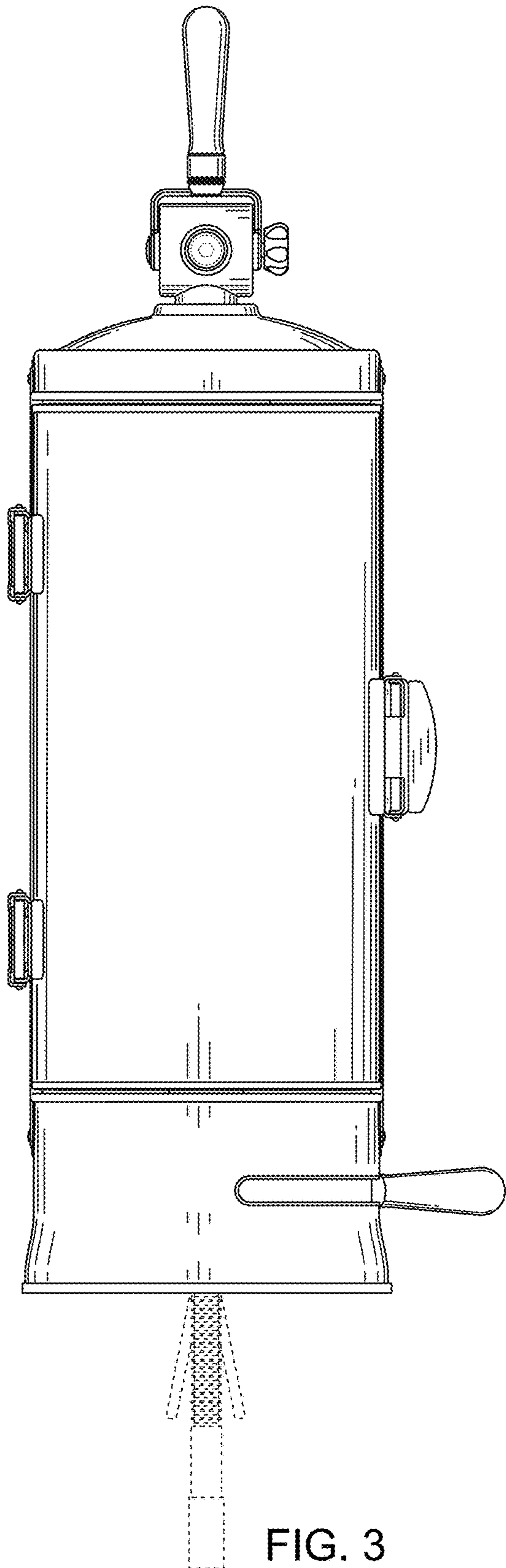


FIG. 3

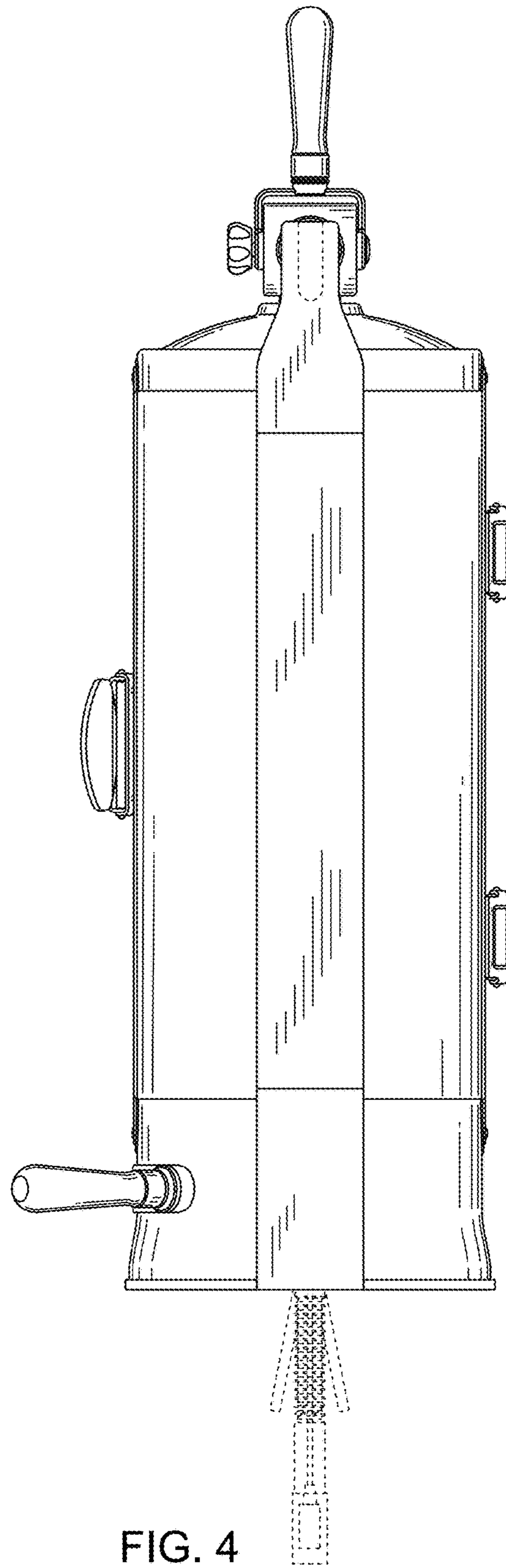
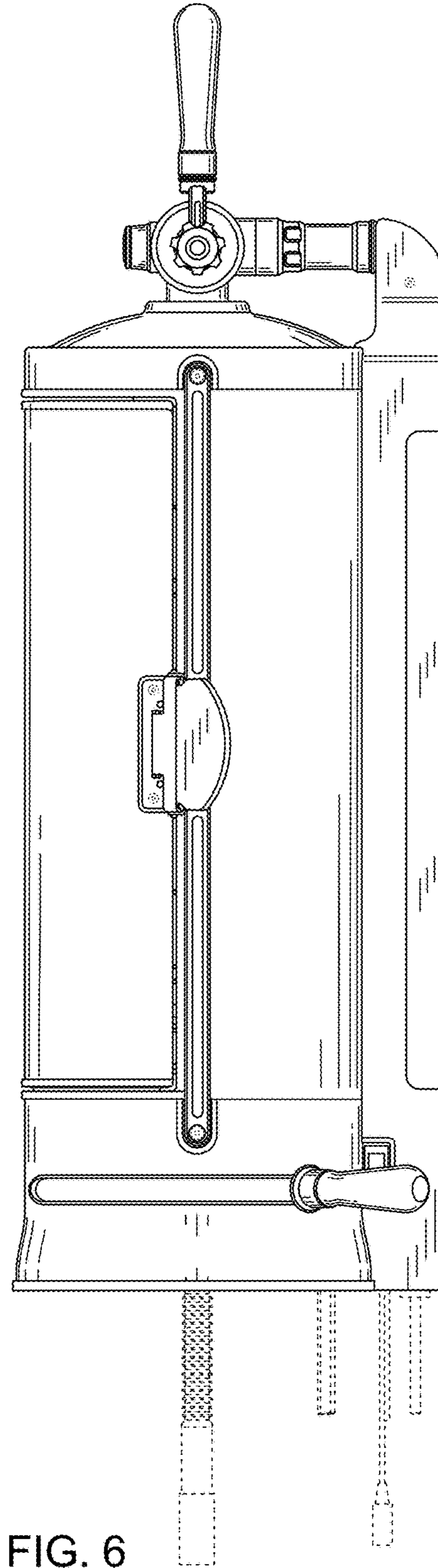
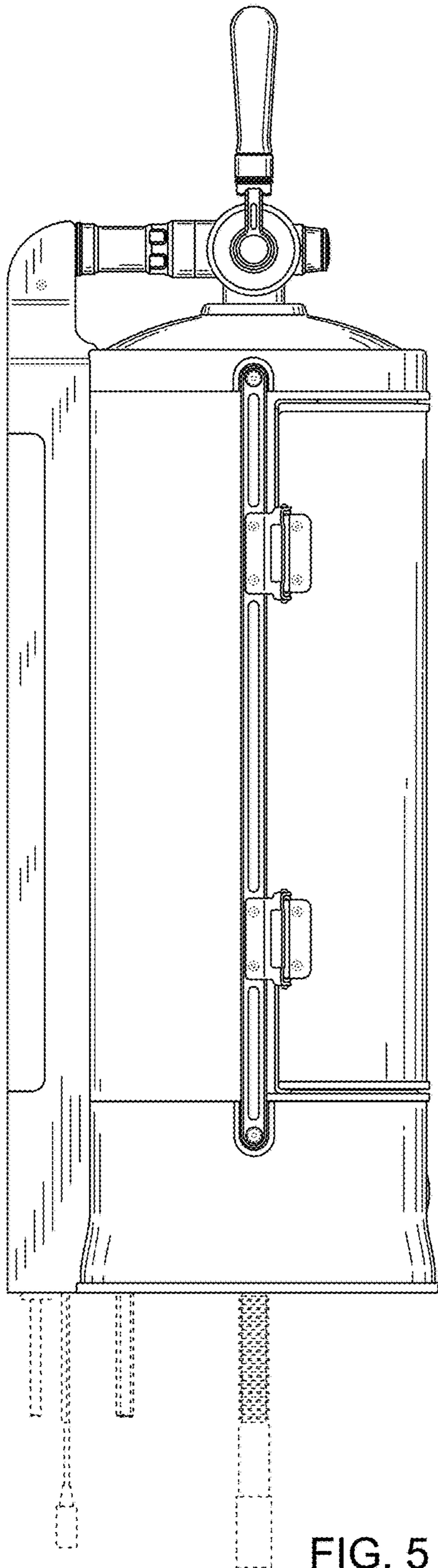


FIG. 4



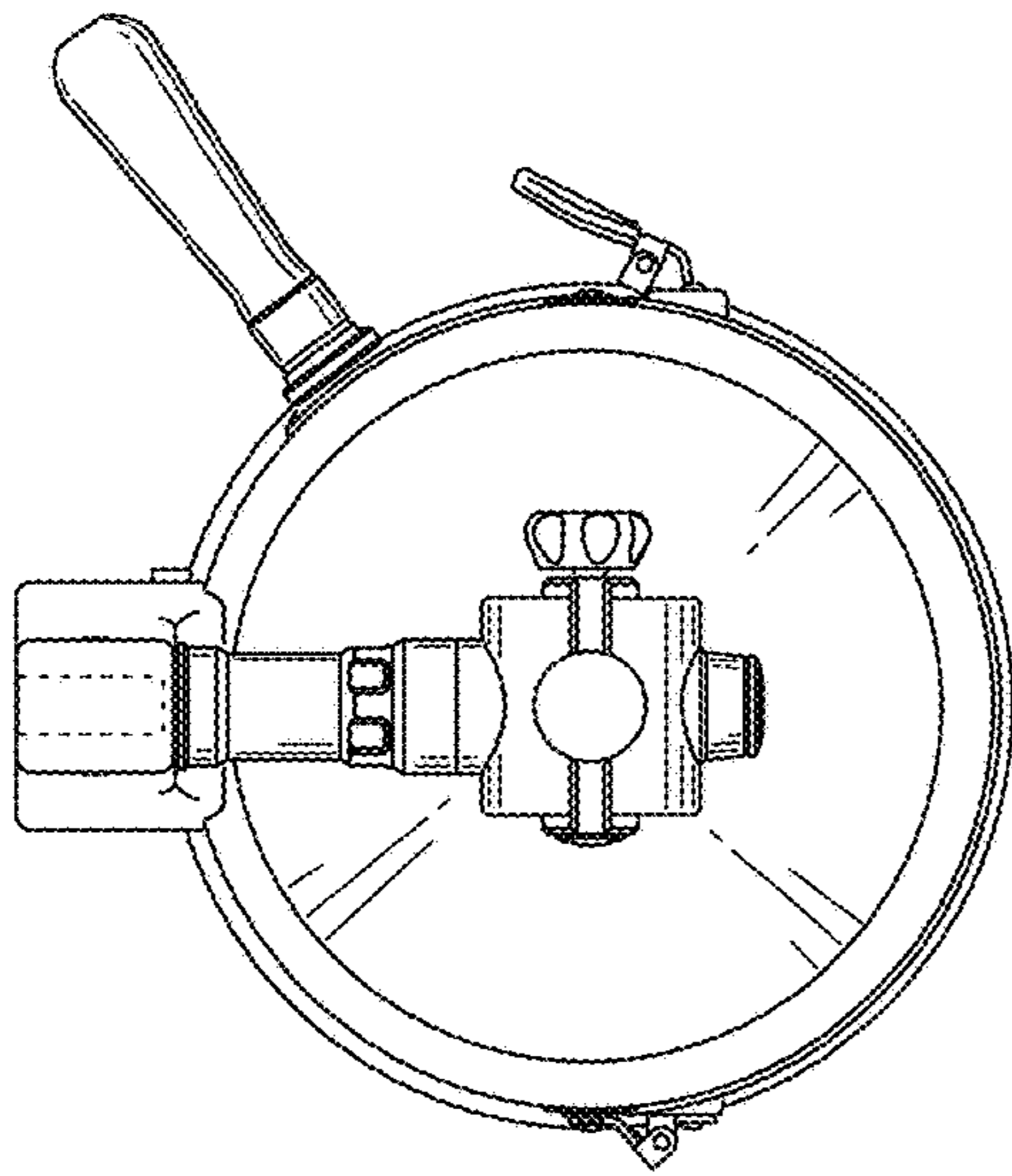


FIG. 7

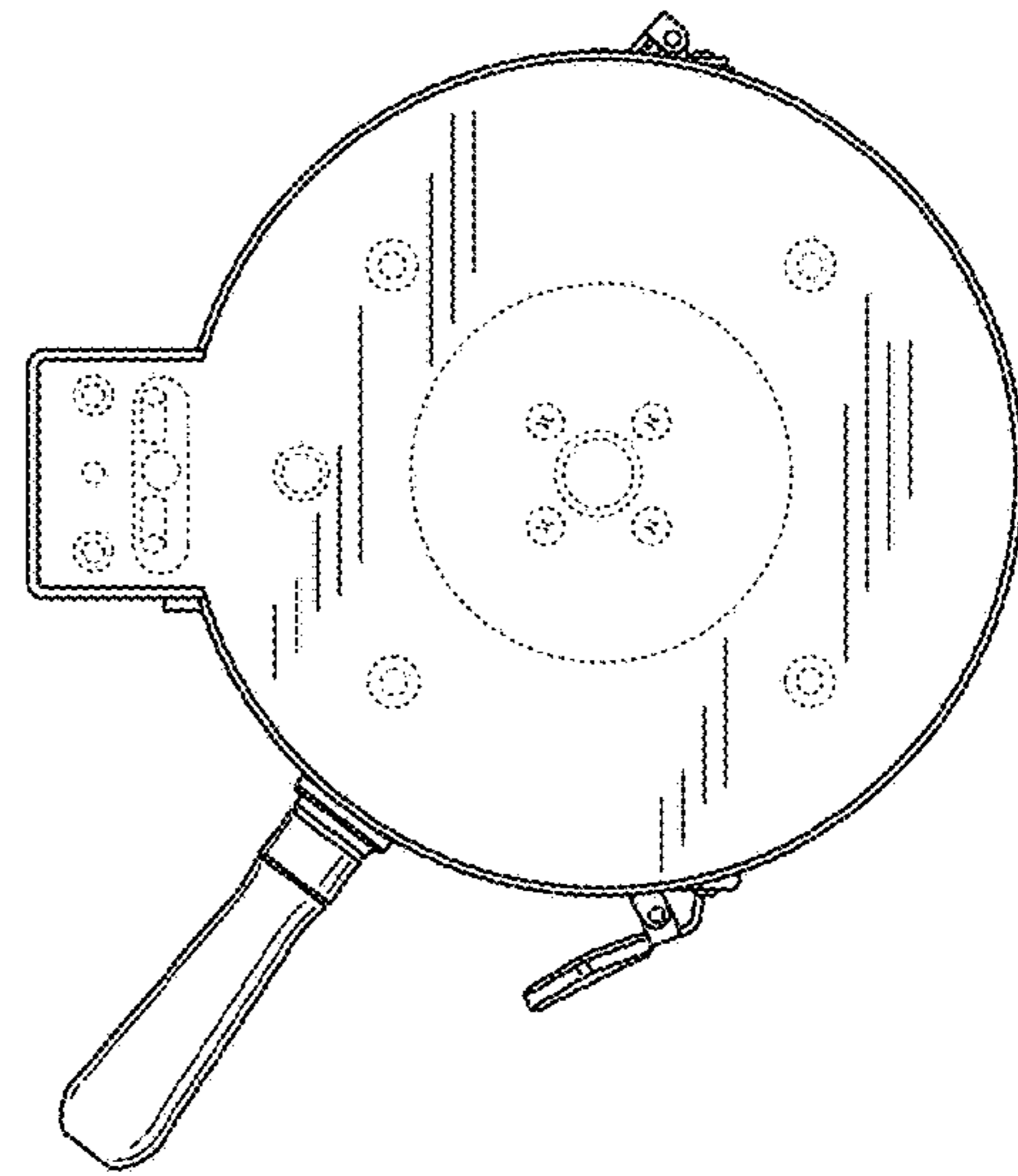


FIG. 8