



US00D802975S

(12) **United States Design Patent**  
**Hansel et al.**

(10) **Patent No.:** **US D802,975 S**  
(45) **Date of Patent:** **\*\* Nov. 21, 2017**

(54) **NAPPER**

(71) Applicant: **Wonderland Nurserygoods Company Limited**, Tuen Mun (HK)

(72) Inventors: **Colin P. Hansel**, Philadelphia, PA (US);  
**Daniel A. Sack**, Pottstown, PA (US)

(73) Assignee: **WONDERLAND NURSERYGOODS COMPANY LIMITED**, Tuen Mun (HK)

(\*\*) Term: **15 Years**

(21) Appl. No.: **29/620,411**

(22) Filed: **Nov. 30, 2016**

(51) **LOC (10) Cl.** ..... **06-06**

(52) **U.S. Cl.**  
USPC ..... **D6/718.26**

(58) **Field of Classification Search**  
USPC ..... D6/390, 391, 392, 718, 718.26  
CPC ..... A47D 9/00; A47D 9/005; A47D 5/006  
See application file for complete search history.

(56) **References Cited**

**U.S. PATENT DOCUMENTS**

D717,577 S *	11/2014	Pacella	.....	D6/385
D753,427 S *	4/2016	Bellows	.....	D6/390
D770,213 S *	11/2016	Bellows	.....	D6/718
2010/0229301 A1 *	9/2010	Arnold, IV	.....	A47D 7/04
				5/93.2
2013/0326808 A1 *	12/2013	Saint	.....	A47D 5/00
				5/93.1
2014/0359938 A1 *	12/2014	Burns	.....	A47D 7/04
				5/93.1

**OTHER PUBLICATIONS**

Graco Pack 'n Play Quick Connect Portable Napper, Toysrus.com, site visited Aug. 18, 2017, available online at <http://www.toysrus.com>.

com/buy/play-yards/graco-pack-n-play-play-yard-quick-connect-portable-napper-with-bassinet-2001879-118162126.\*

\* cited by examiner

*Primary Examiner* — Cathron C Brooks

(74) *Attorney, Agent, or Firm* — Bacon & Thomas, PLLC

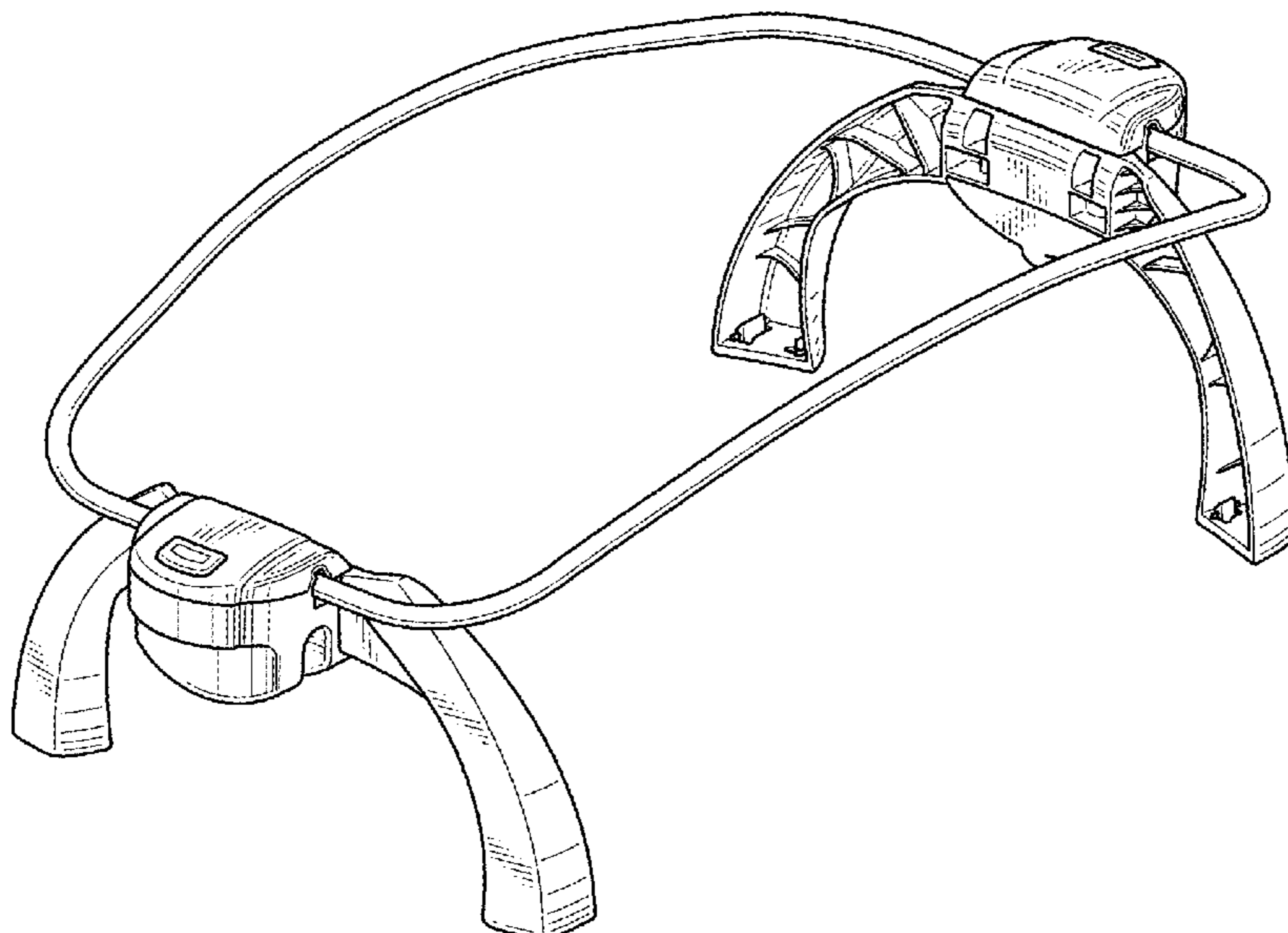
(57) **CLAIM**

The ornamental design for a napper, as shown and described.

**DESCRIPTION**

FIG. 1 is a perspective view of a napper in accordance with a first embodiment of our new design; FIG. 2 is a front view of FIG. 1; FIG. 3 is a rear view of FIG. 1; FIG. 4 is a top view of FIG. 1; FIG. 5 is a bottom view of FIG. 1; FIG. 6 is a left side view of FIG. 1; FIG. 7 is a right side view of FIG. 1; FIG. 8 is a view showing the napper shown in FIG. 1 in use; FIG. 9 is a perspective view of a napper in accordance with a second embodiment of our new design; FIG. 10 is a front view of FIG. 9; FIG. 11 is a rear view of FIG. 9; FIG. 12 is a top view of FIG. 9; FIG. 13 is a bottom view of FIG. 9; FIG. 14 is a left side view of FIG. 9; FIG. 15 is a right side view of FIG. 9; and, FIG. 16 is a view showing the napper shown in FIG. 9 in use. The broken lines in the drawings show environmental structure and portions of the napper. None of the broken lines form part of the claimed design.

**1 Claim, 10 Drawing Sheets**



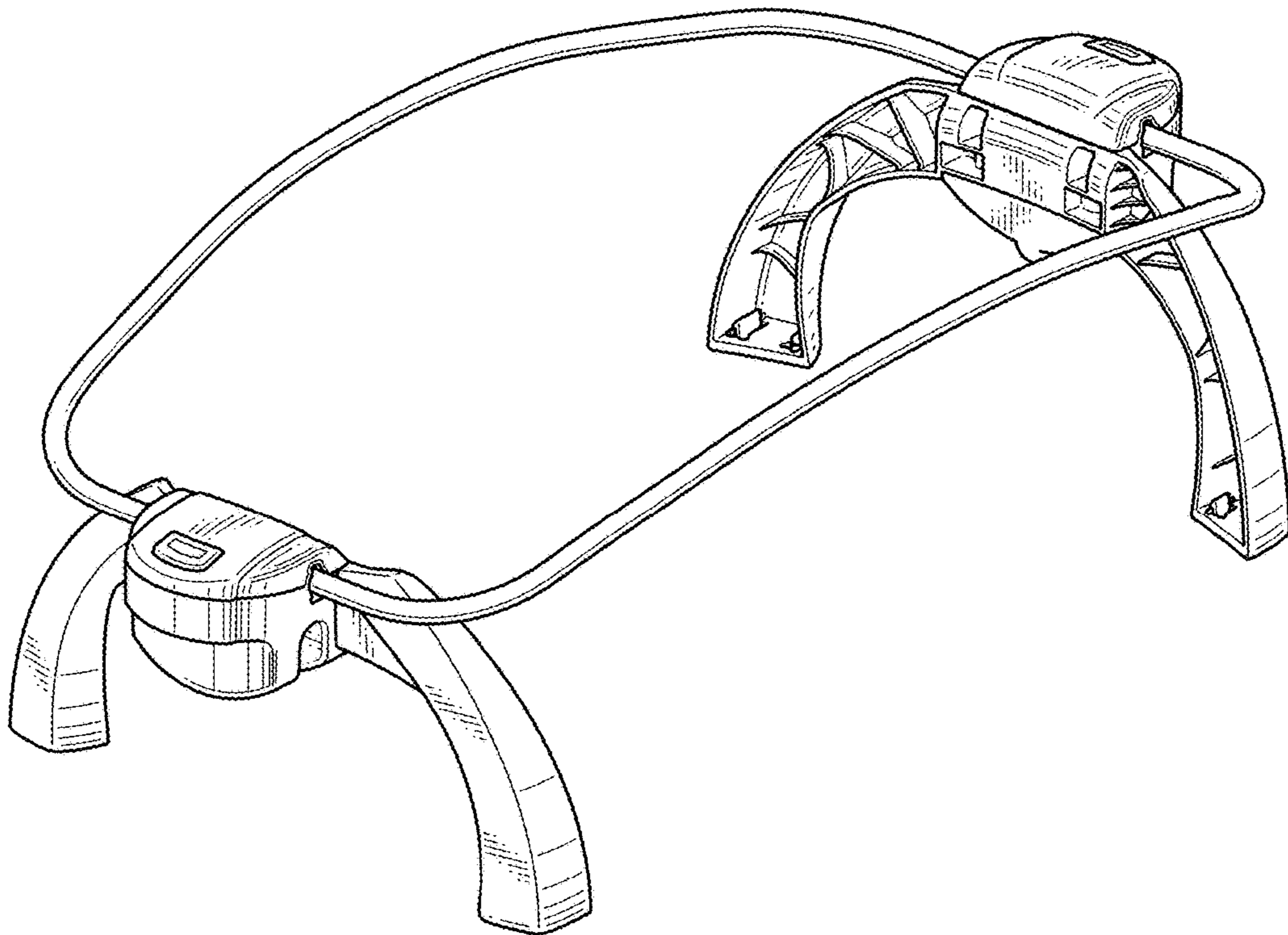


Fig. 1

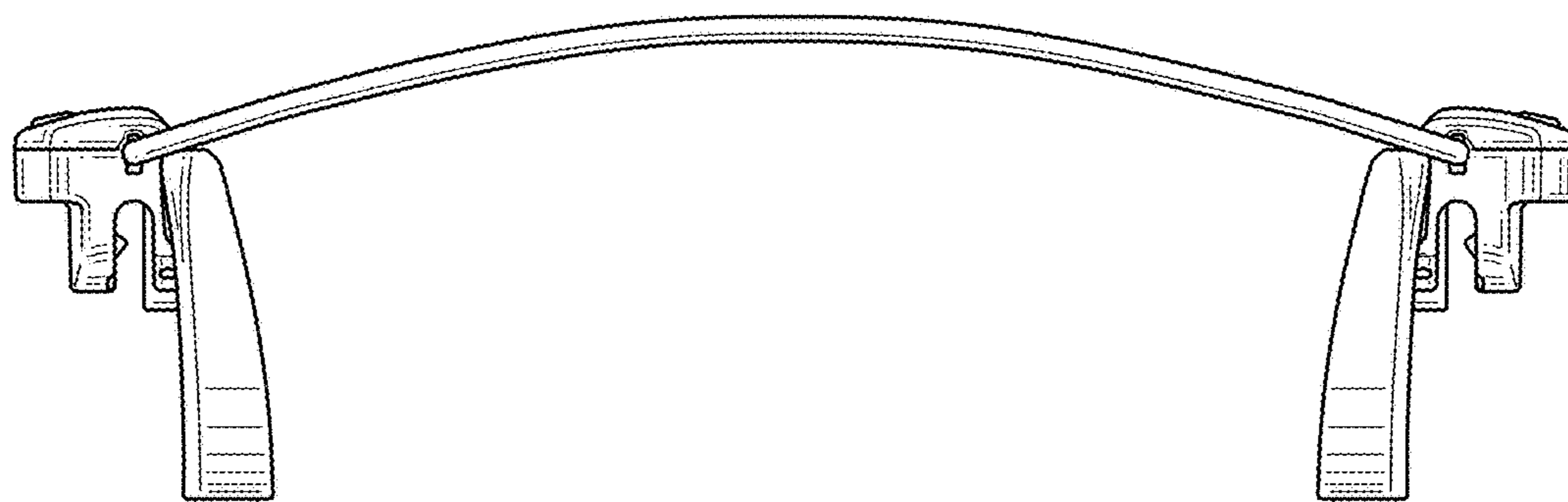


Fig. 2

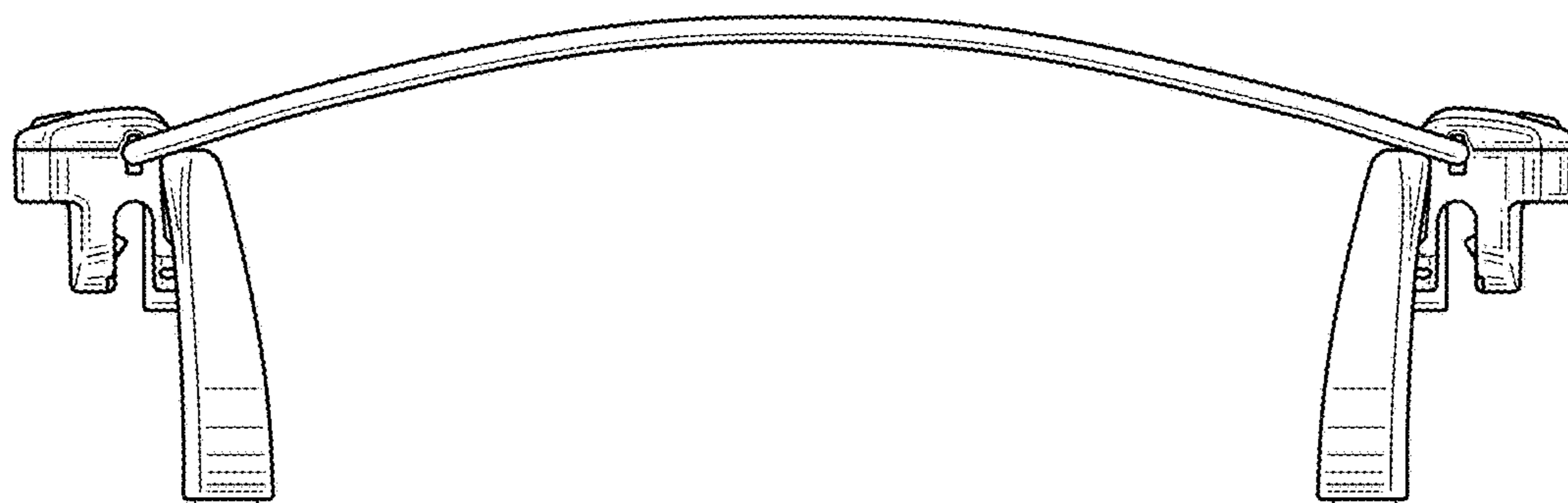


Fig. 3

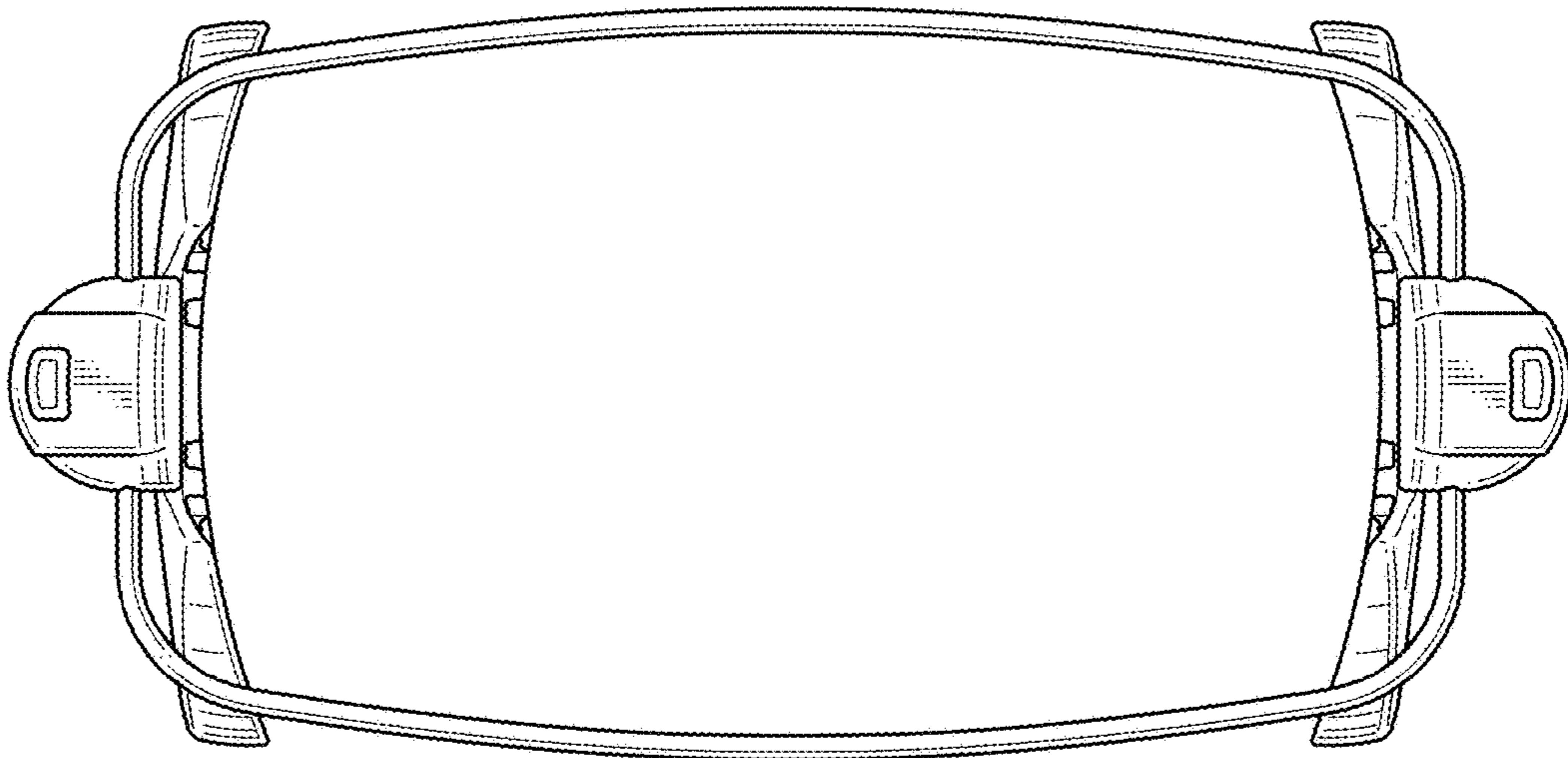


Fig. 4

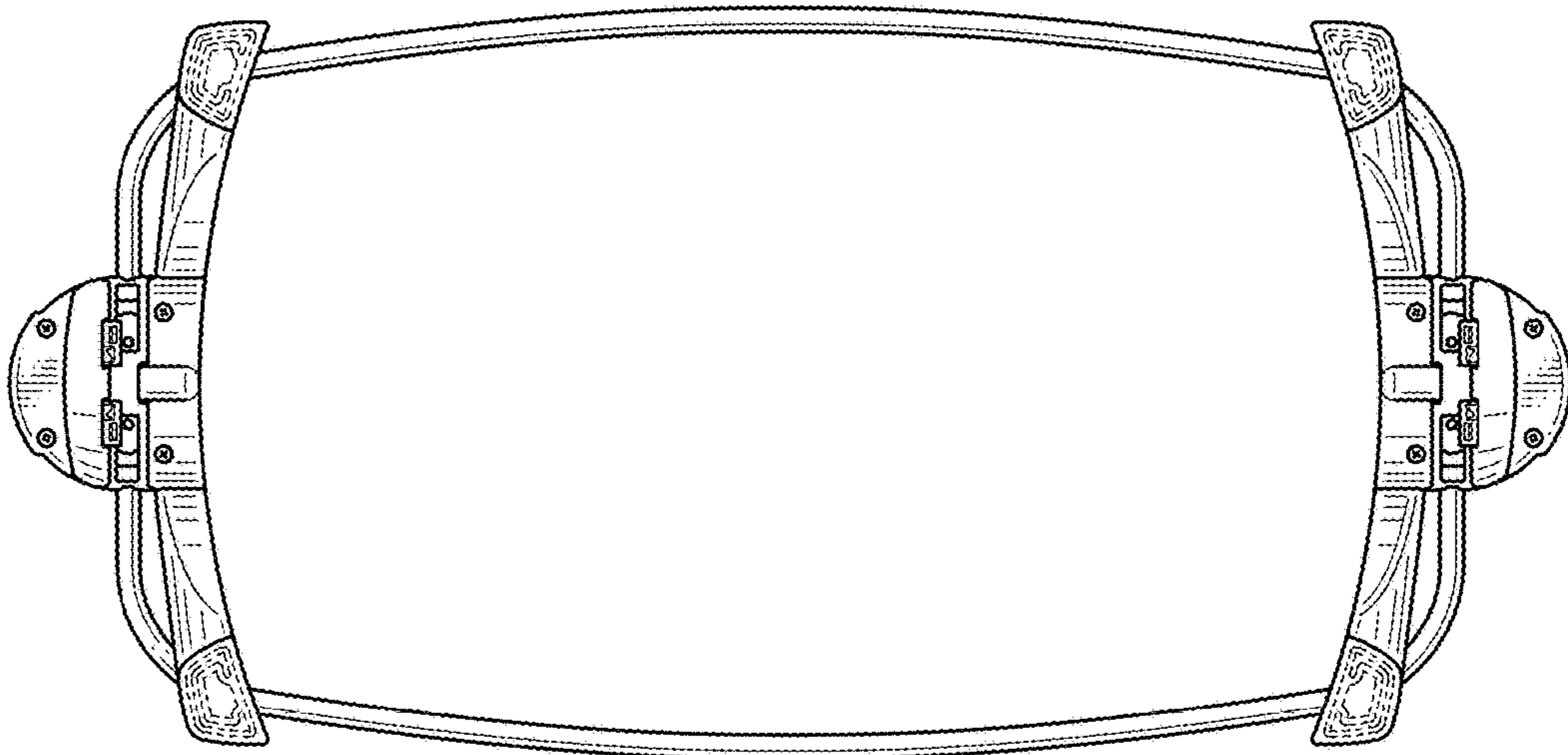


Fig. 5

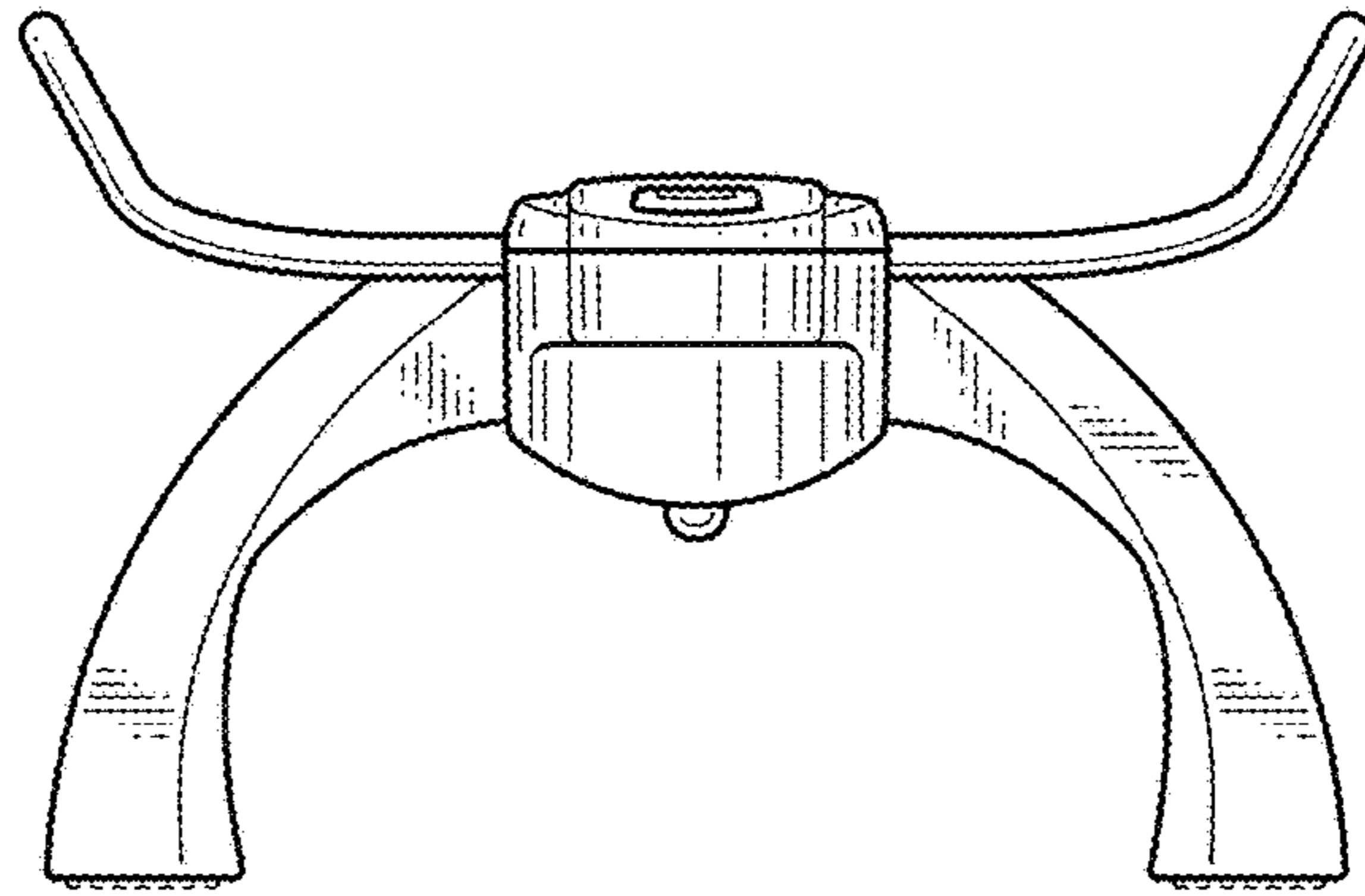


Fig. 6

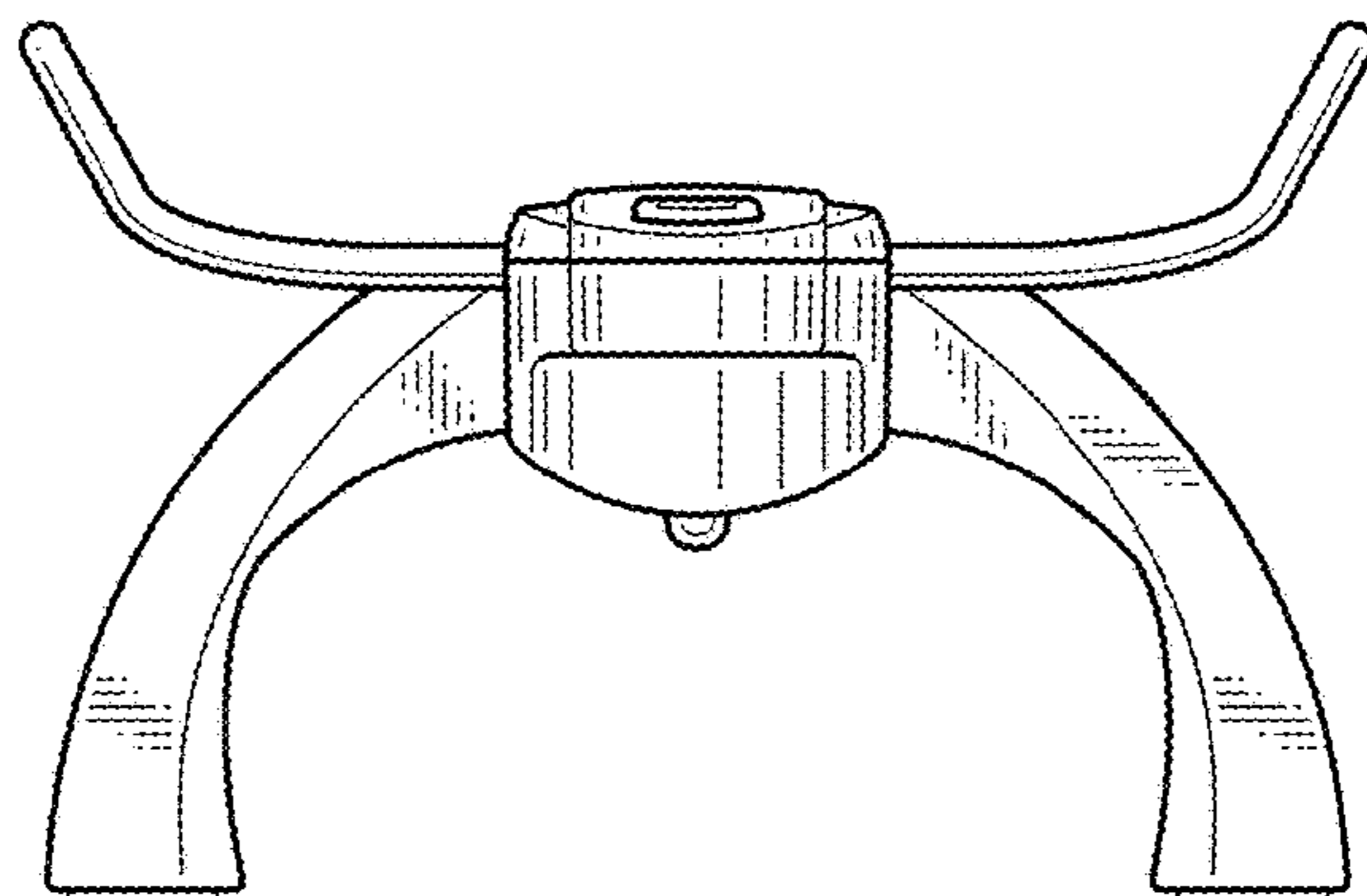


Fig. 7

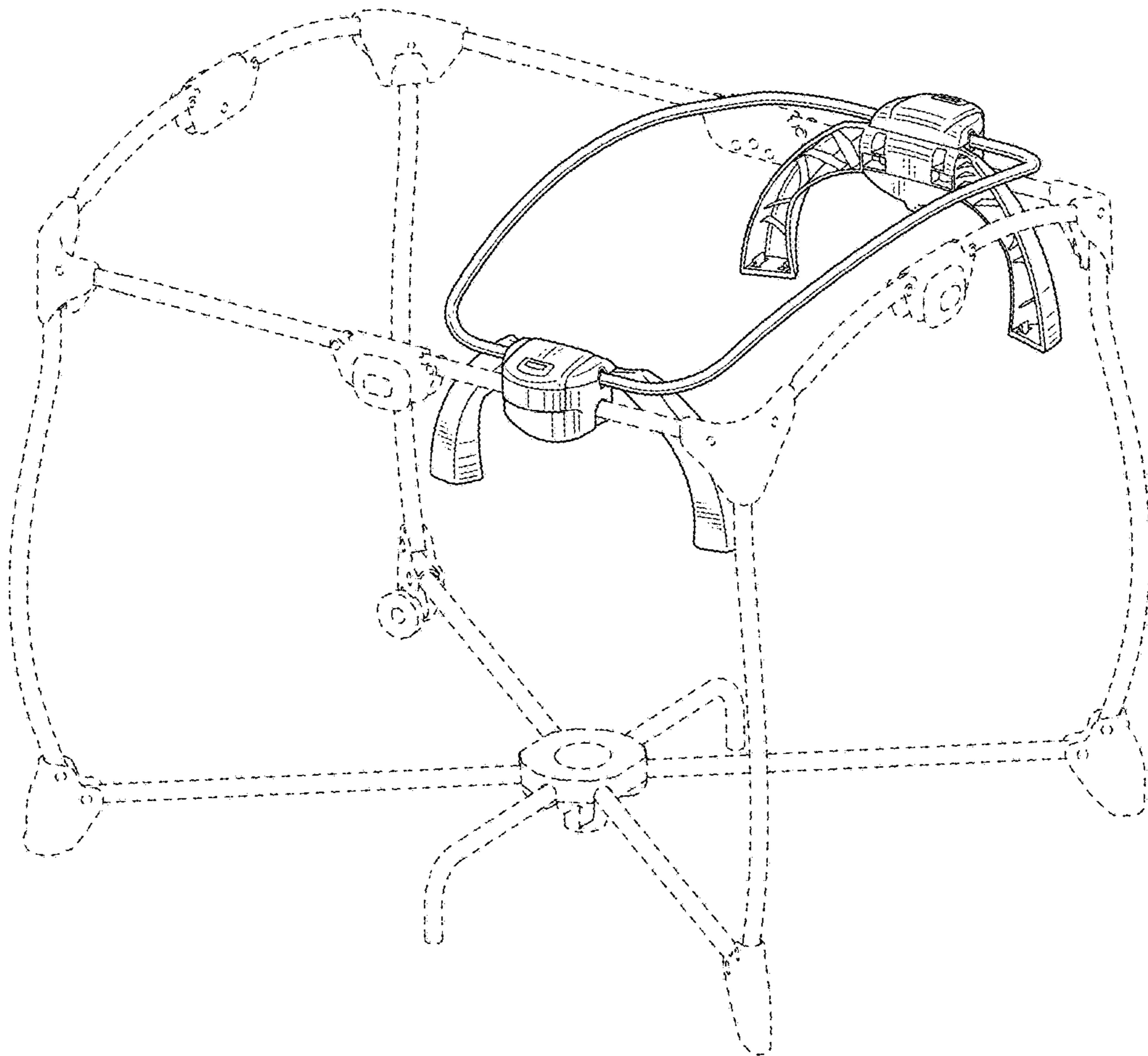


Fig. 8

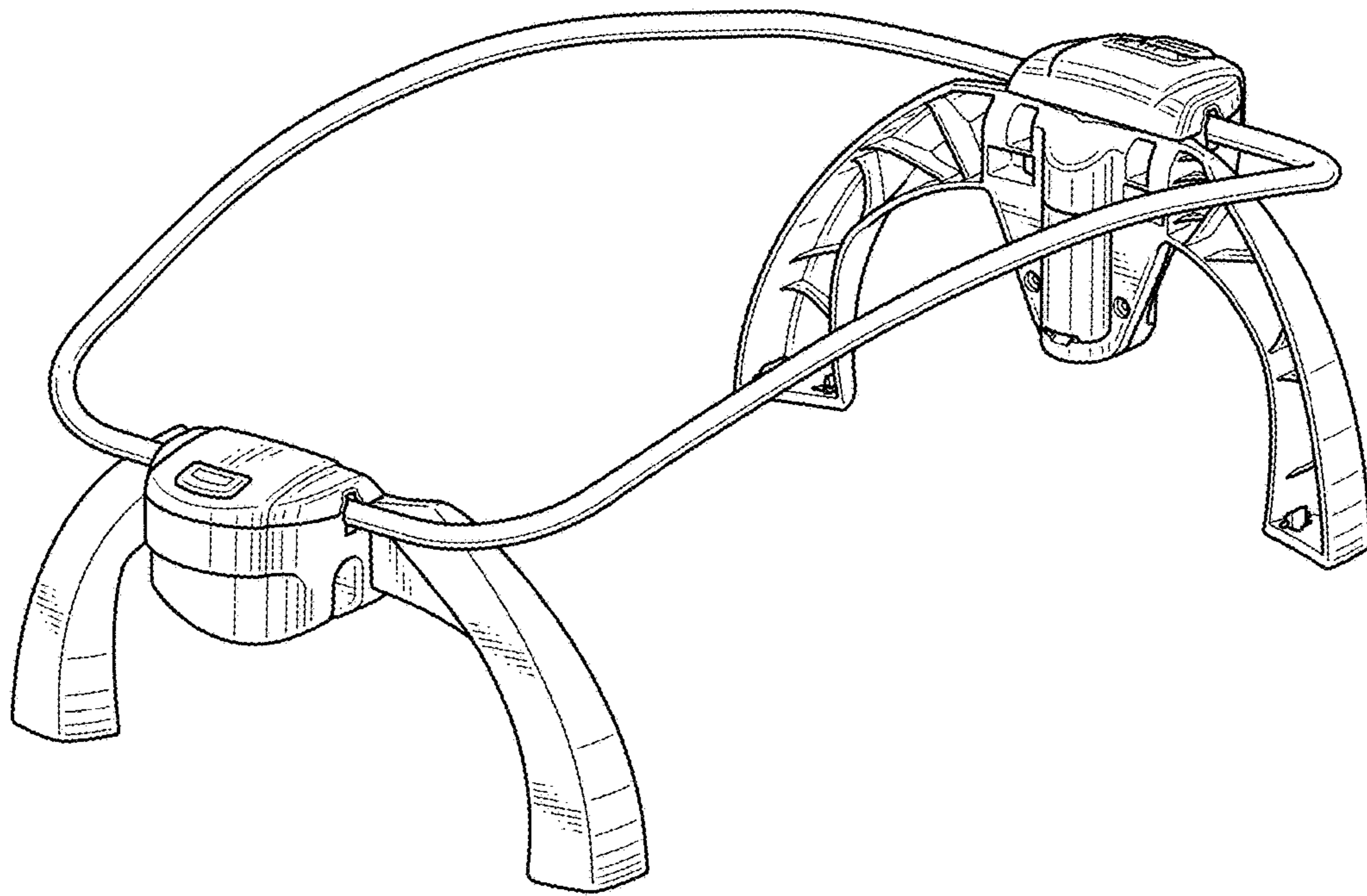


Fig. 9

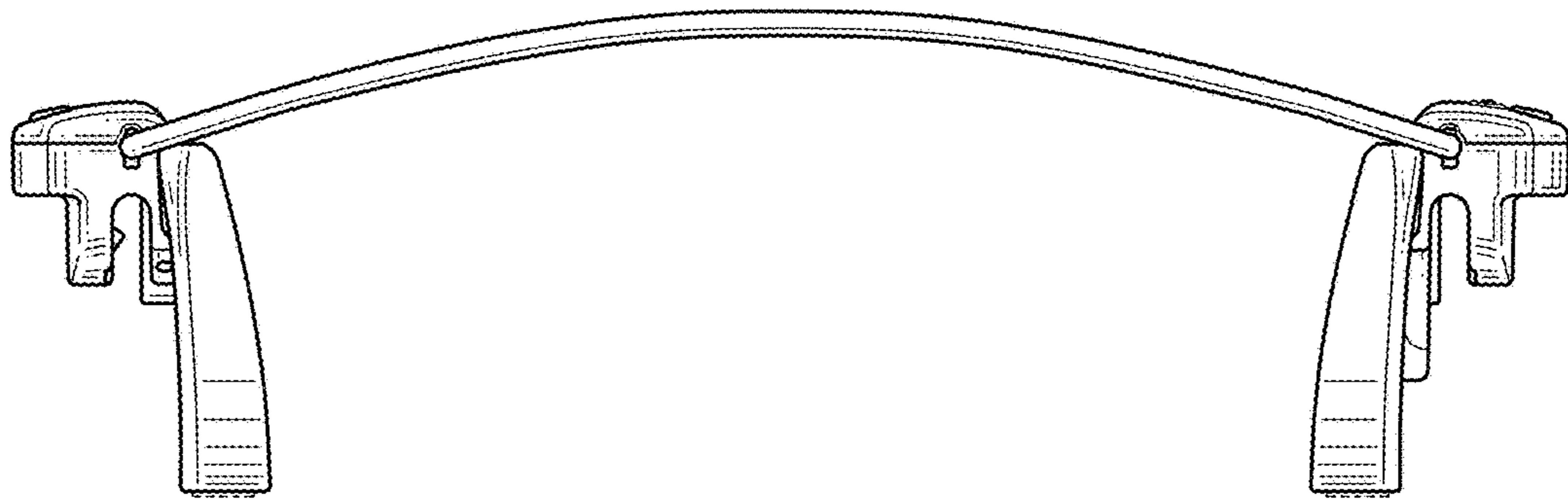


Fig. 10

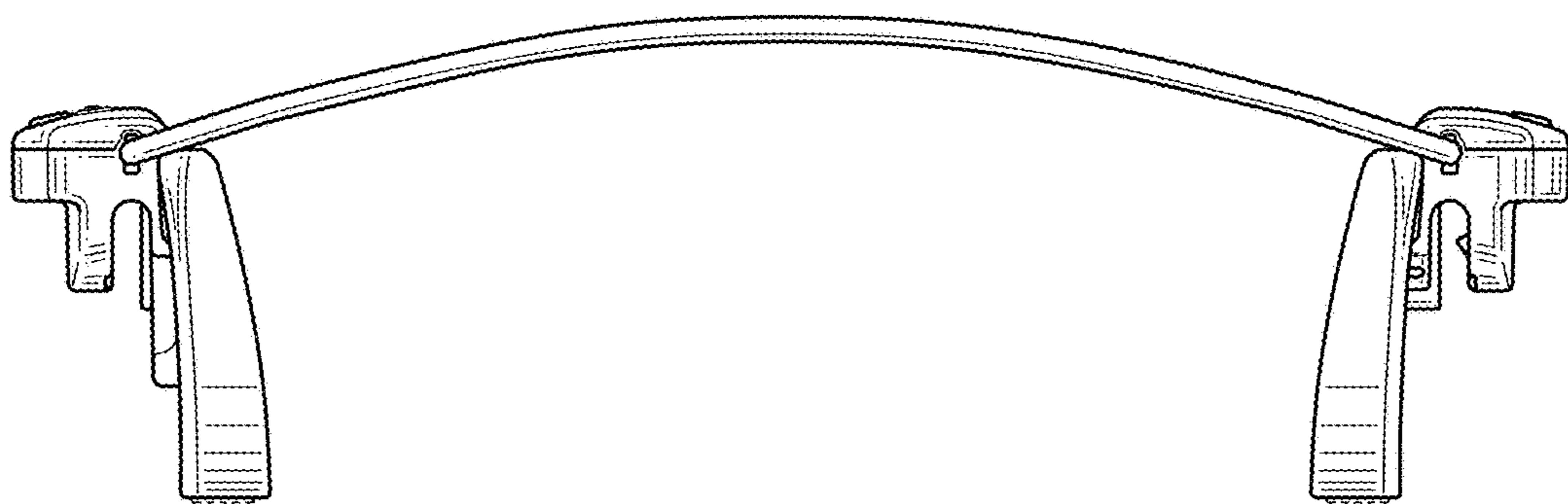


Fig. 11



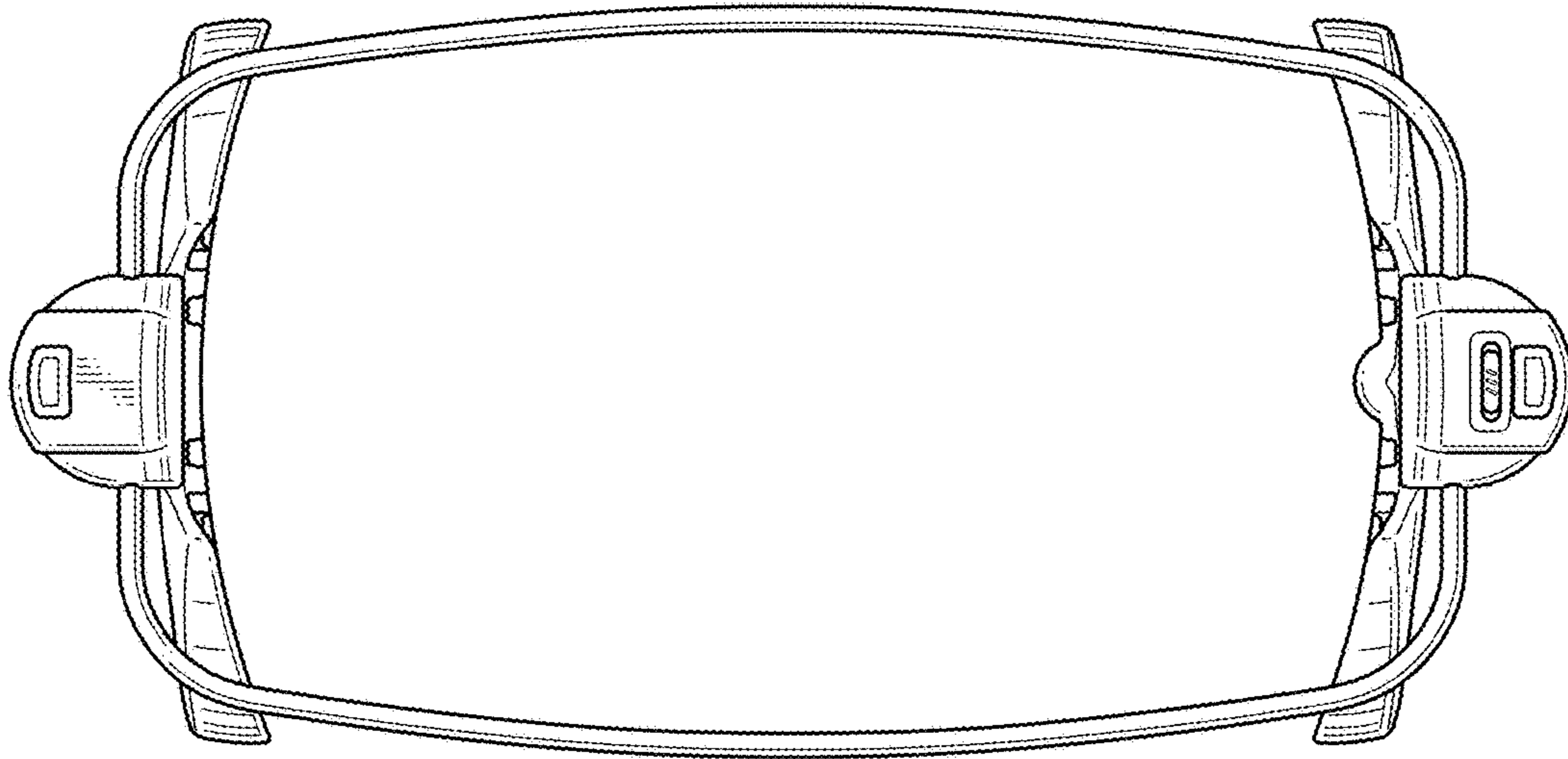


Fig. 12

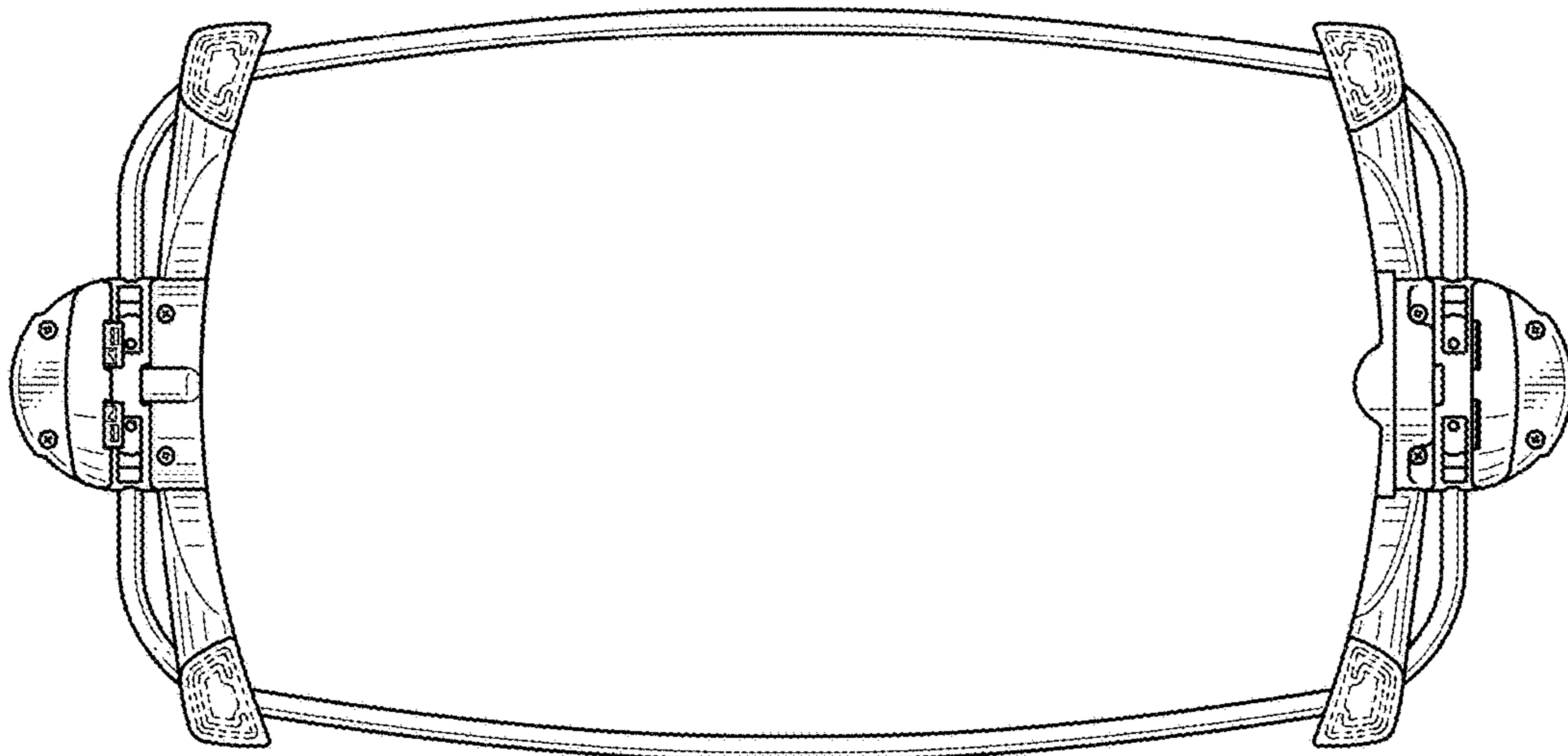


Fig. 13

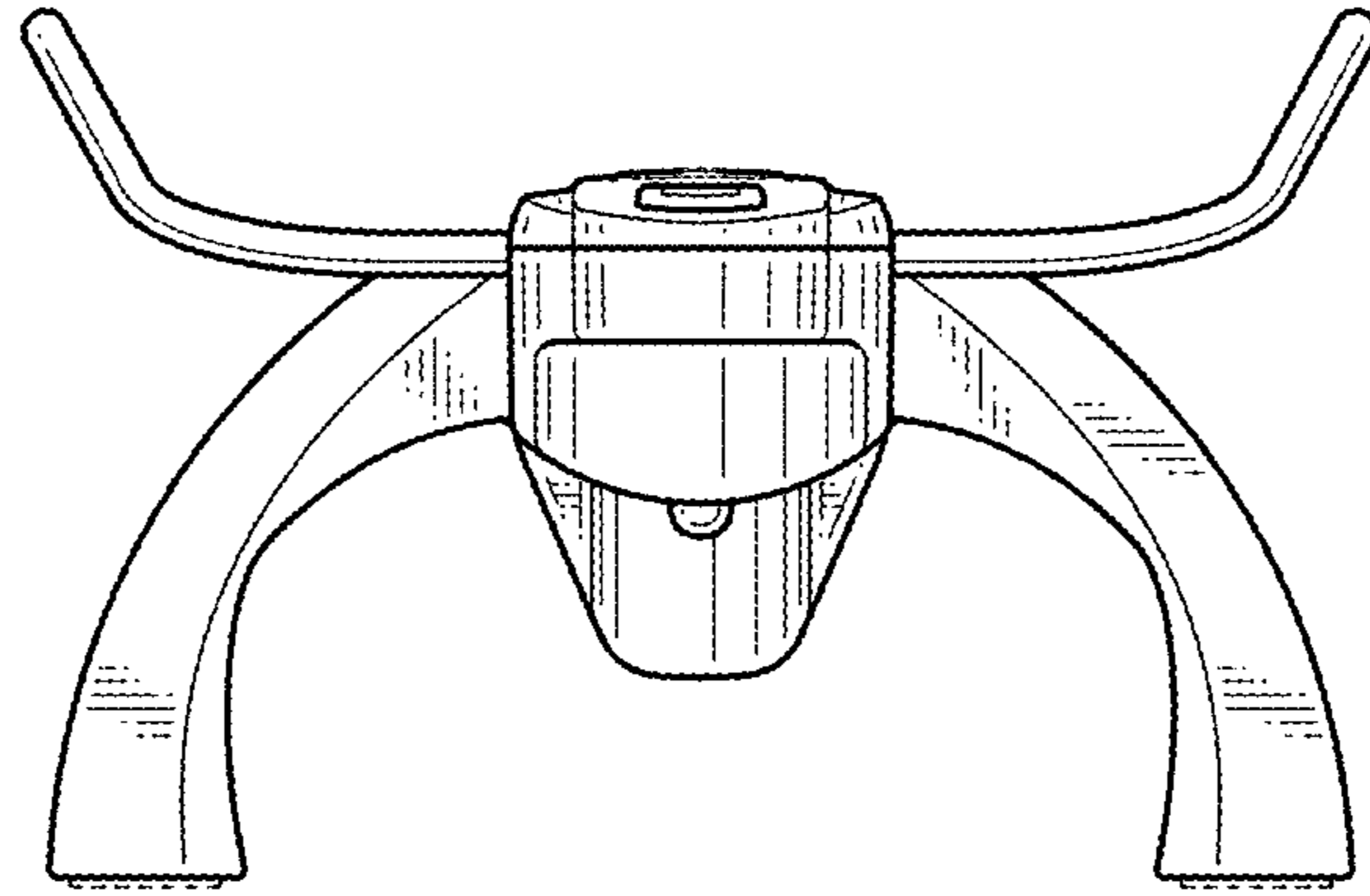


Fig. 14

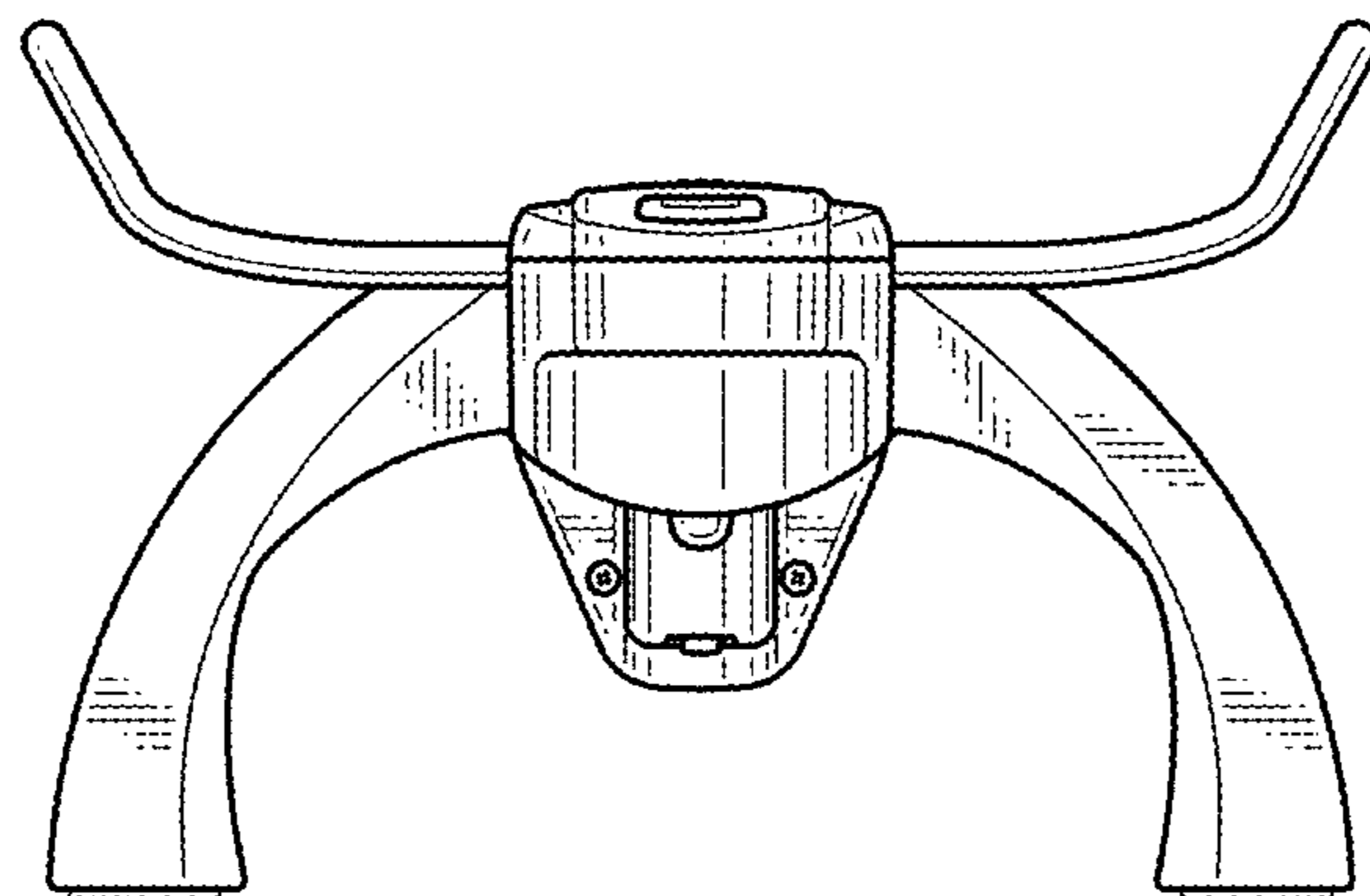


Fig. 15

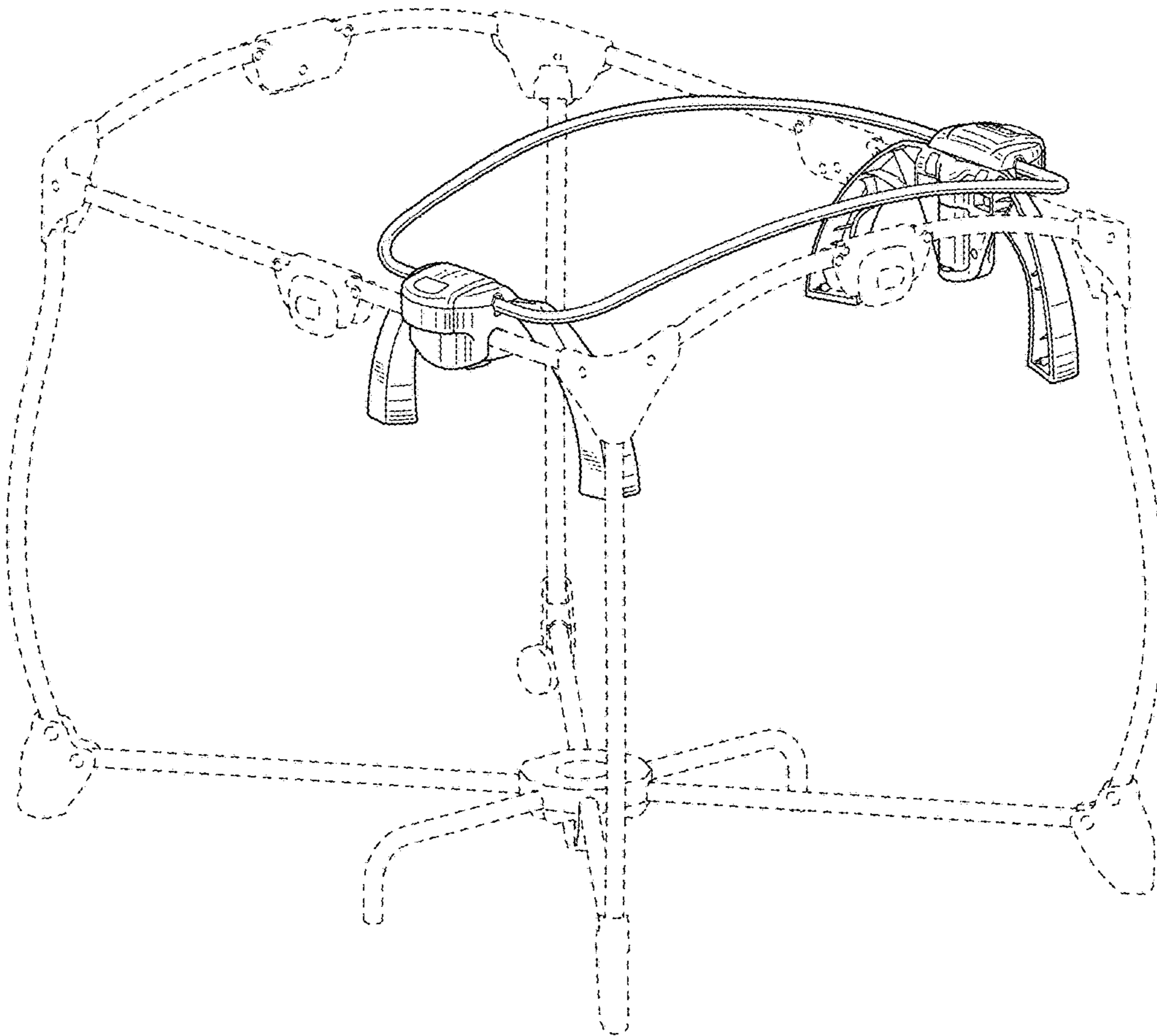


Fig. 16