



US00D802974S

(12) **United States Design Patent**
Marsden

(10) **Patent No.:** **US D802,974 S**
(45) **Date of Patent:** **** Nov. 21, 2017**

(54) **CRIB RAIL COVER**

(71) Applicant: **Elbee Pty Ltd.**, Bondi Junction (AU)

(72) Inventor: **Andrew Marsden**, Hingham, MA (US)

(73) Assignee: **Elbee Pty Ltd.**, Bondi Junction (AU)

(**) Term: **15 Years**

(21) Appl. No.: **29/538,228**

(22) Filed: **Sep. 2, 2015**

(51) **LOC (10) Cl.** **06-06**

(52) **U.S. Cl.**

USPC **D6/718.26**; D6/718.3; D25/123

(58) **Field of Classification Search**

USPC D6/390, 718.28, 718.3, 719, 703, 703.1,
D6/705.4, 705.5, 708, 713, 714, 718.26;
D25/119, 120, 121, 123, 125, 136, 164,
D25/38.1, 41.1, 48.2, 48.3; D8/395, 396

CPC E04F 19/02; E04F 11/18; E04F 11/1802;
E04F 11/1836; A47D 15/00; A47D
15/008; A47D 7/00; A47D 7/02

See application file for complete search history.

(56) **References Cited**

U.S. PATENT DOCUMENTS

D85,226 S *	9/1931	Aubrey	D25/123
D86,952 S *	5/1932	Garrison	D25/123
1,936,641 A *	11/1933	Plym	E06B 1/70 49/470
D150,466 S *	8/1948	Schuler	D20/44
2,583,626 A *	1/1952	Buell	B28B 7/0041 249/101
2,636,189 A *	4/1953	Feldman	A47D 13/06 16/DIG. 2
2,725,832 A *	12/1955	Huntington	E04D 3/366 52/278
D265,509 S *	7/1982	Popek	D25/121
D300,567 S *	4/1989	Dallaire	D25/124

D343,909 S *	2/1994	Flynn	D25/123
6,108,992 A *	8/2000	Shaw	E04B 1/70 52/177
6,865,858 B1 *	3/2005	Pollard	E04B 1/70 52/287.1

(Continued)

OTHER PUBLICATIONS

BabiesRUs Gummi Teething Crib Rail Cover, ToysRUs.com, Internet Archive date of Aug. 20, 2014, site visited Dec. 30, 2016, available from internet, <URL:http://web.archive.org/web/20140820222414/http://www.toysrus.com/buy/healthsafety/babiesrusgummiteethingcribrailcover1926096h121241021714/14>.*

(Continued)

Primary Examiner — Cathron Brooks
(74) *Attorney, Agent, or Firm* — Wolf, Greenfield & Sacks, P.C.

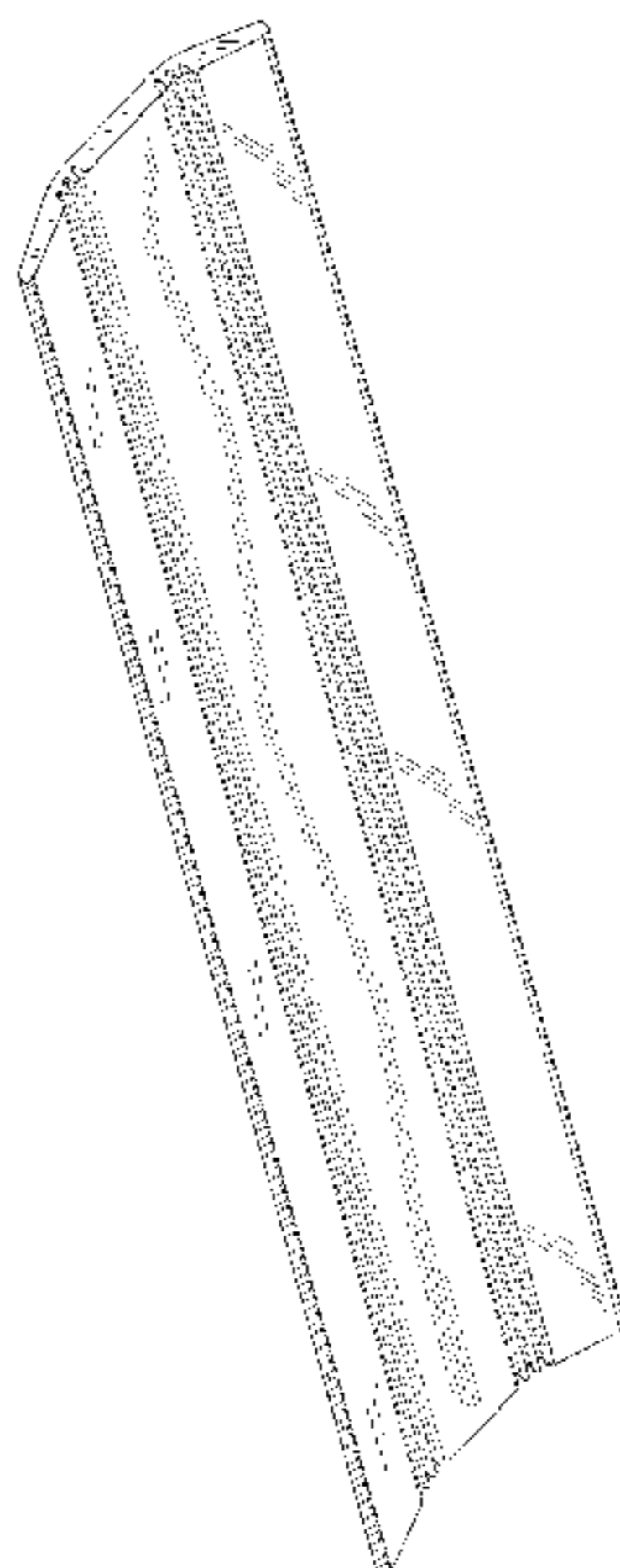
(57) **CLAIM**

The ornamental design for a crib rail cover, as shown and described.

DESCRIPTION

FIG. 1 illustrates a bottom isometric view of a crib rail cover showing my new design;
FIG. 2 illustrates an enlarged, partial, bottom isometric view thereof, shown broken away for ease of illustration;
FIG. 3 illustrates a top isometric view thereof;
FIG. 4 illustrates an enlarged bottom view of one end thereof;
FIG. 5 illustrates an enlarged top view of one end thereof;
FIG. 6 illustrates a front view thereof;
FIG. 7 illustrates a side view thereof, shown broken away for ease of illustration; and,
FIG. 8 illustrates a bottom isometric view thereof showing the crib rail cover on a crib rail.

(Continued)



The broken line showing of a crib rail illustrates the environment of the crib rail cover, and forms no part of the claimed design.

1 Claim, 8 Drawing Sheets

(56)

References Cited

U.S. PATENT DOCUMENTS

D660,984 S *	5/2012	Kotin	D25/119
8,234,734 B2 *	8/2012	Perry	A47D 9/00 5/424
D703,294 S *	4/2014	Witkowski	D23/233
D723,716 S *	3/2015	Imus	D25/121
D734,498 S *	7/2015	Batres	D25/136
D742,032 S *	10/2015	Smith	D25/48.2
D754,365 S *	4/2016	Castro	D25/119
2009/0145077 A1 *	6/2009	Castelle	E04F 11/18 52/716.2

OTHER PUBLICATIONS

Rubber Crib Guard, The Accidental Wallflower blog, Dec. 14, 2012, site visited Dec. 29, 2016, available from internet, <URL:<http://www.theaccidentalwallflower.com/2012/09/diy-fleece-crib-rail-guard.html>[Feb. 29, 2016 11:40:26 AM]>.*

Crib Rail Protector, JollyBebe, © 2016, site visited Dec. 29, 2016, available from internet, <URL:http://www.jollybebe.com/product_p/5205.htm[Dec. 29, 2016 11:24:45 AM]>.*

Crib Rail Protector, Prince Lionheart, Internet Archive date of Sep. 13, 2015, site visited Dec. 29, 2016, available from internet, <URL:<http://web.archive.org/web/20150913101151/http://www.princelionheart.com/5a95dc23b58c1323c96b40e9627e21cd.html>[Dec. 29, 2016 11:49:46 AM]>.*

Kid Kushion Gummi Crib Rail Cover, Safe Beginnings, Internet Archive date of May 22, 2007, site visited Dec. 30, 2016, available from internet, <URL:<http://web.archive.org/web/20070522134216/http://www.safebeginnings.com/WebComponents/Catalog/Public/showproduct.asp?id=833&cat=Nursery>>.*

* cited by examiner

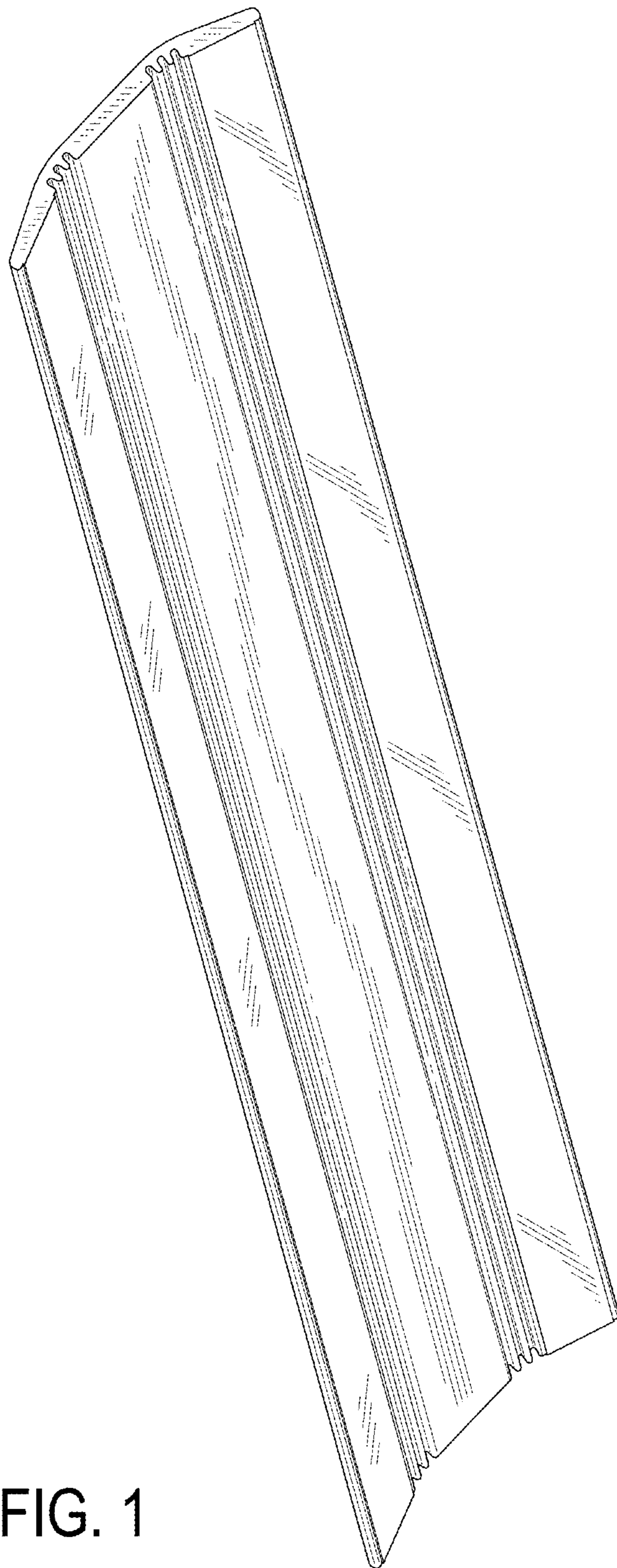


FIG. 1

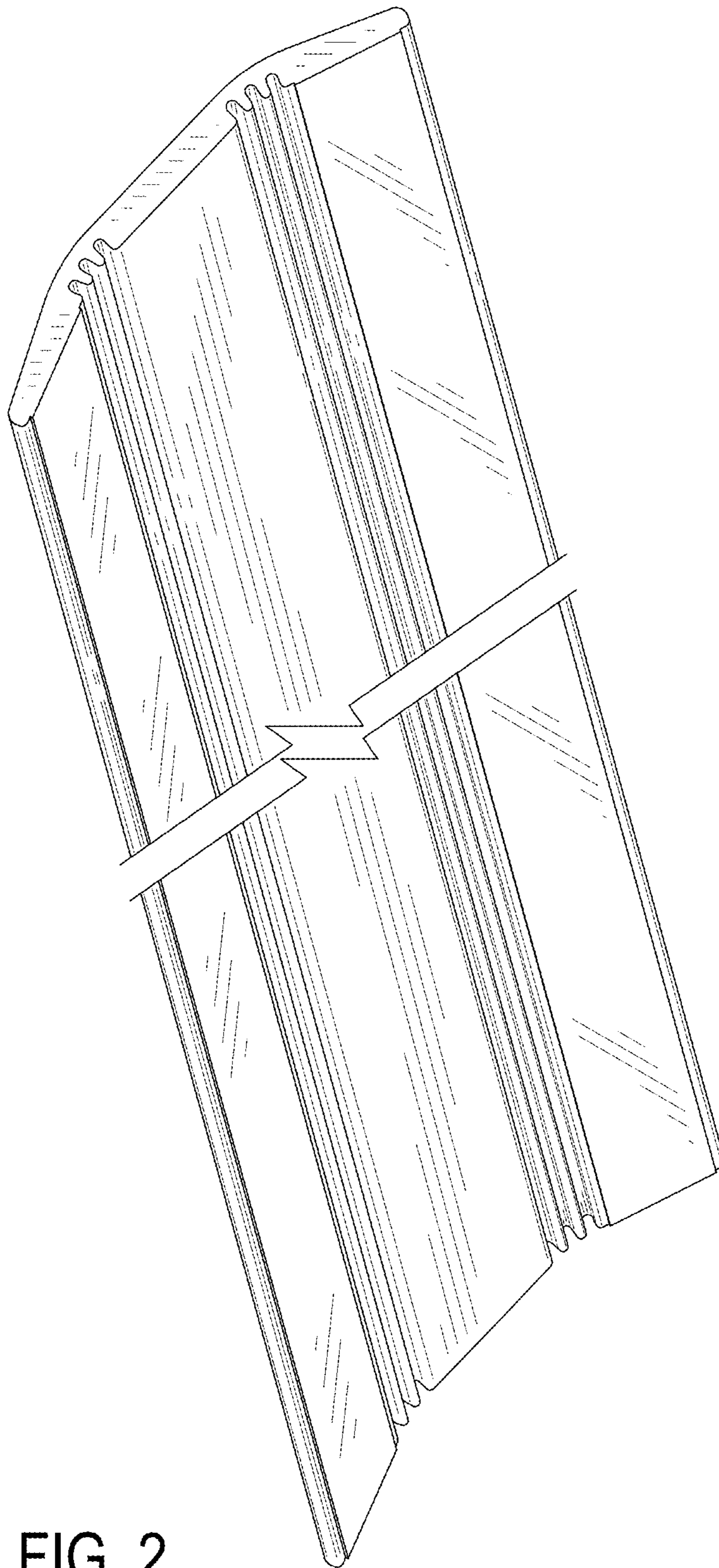


FIG. 2

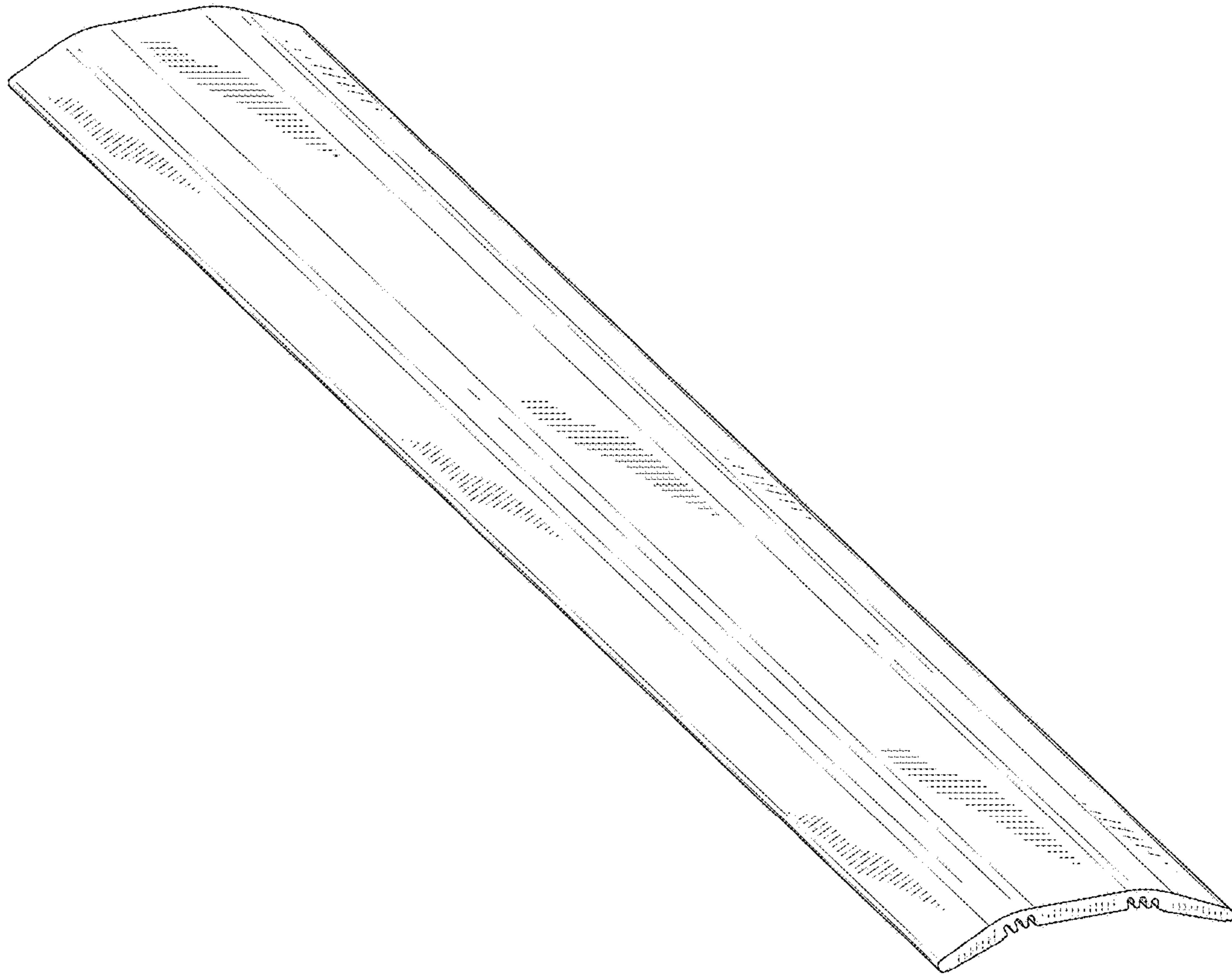


FIG. 3

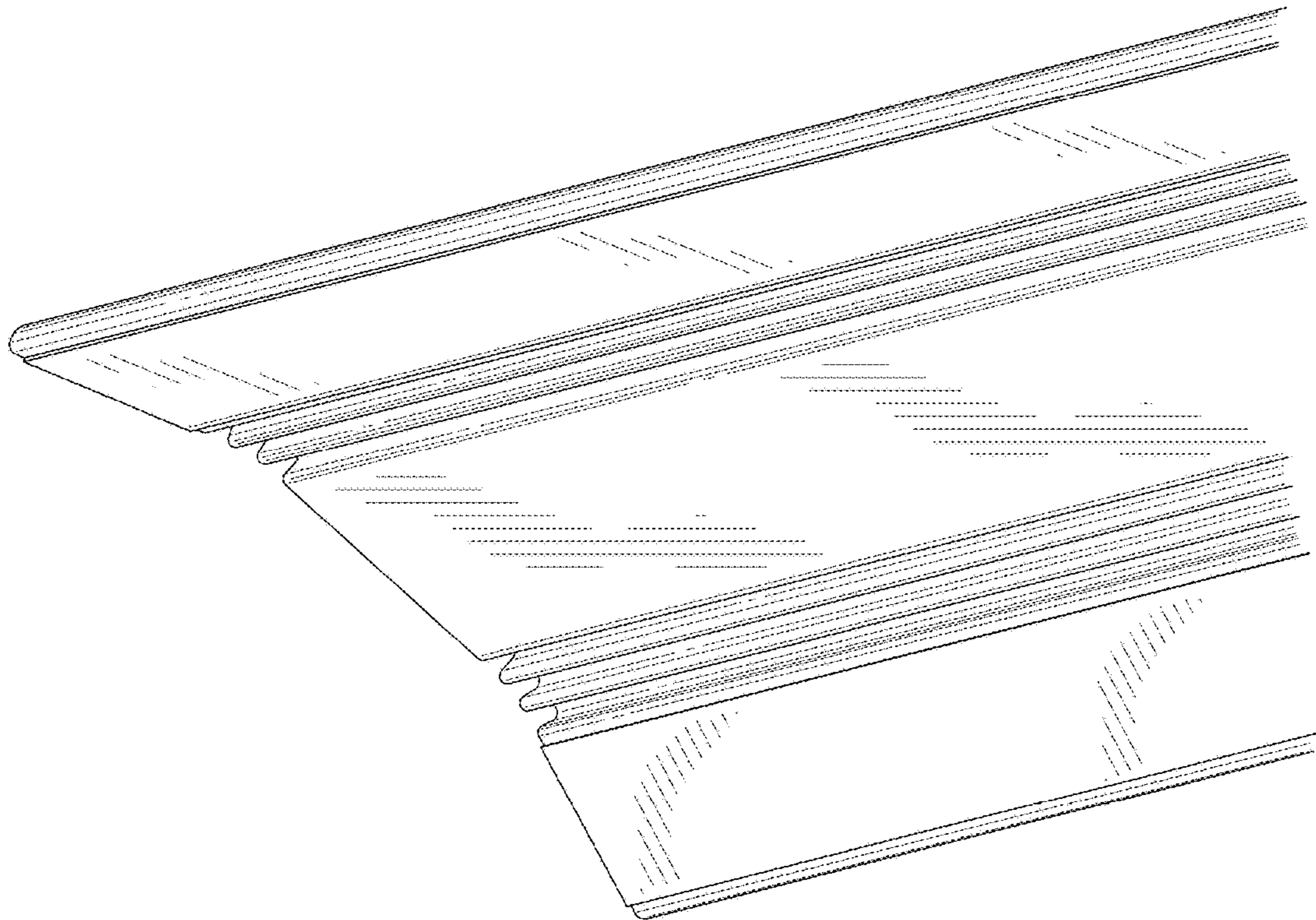


FIG. 4

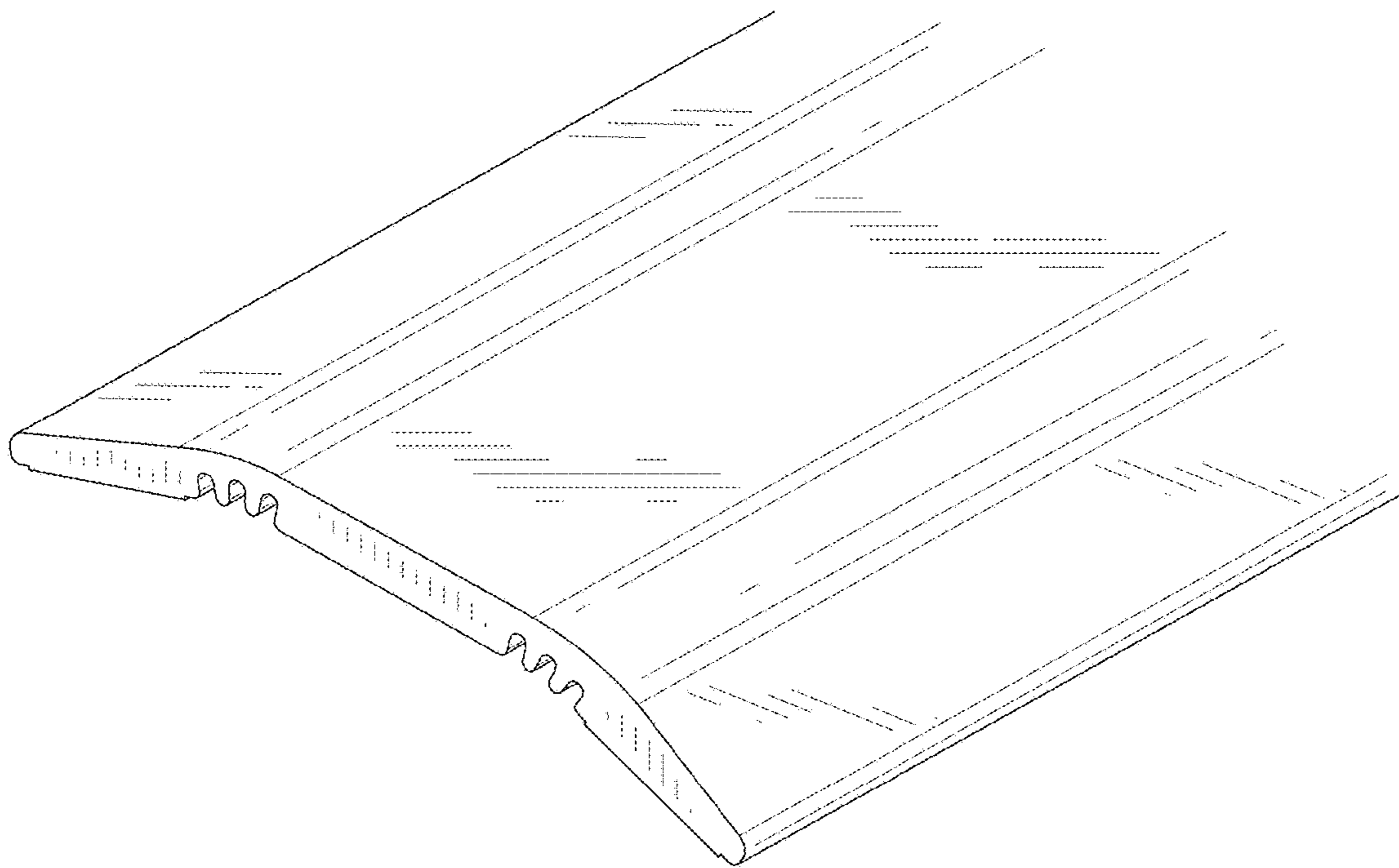


FIG. 5

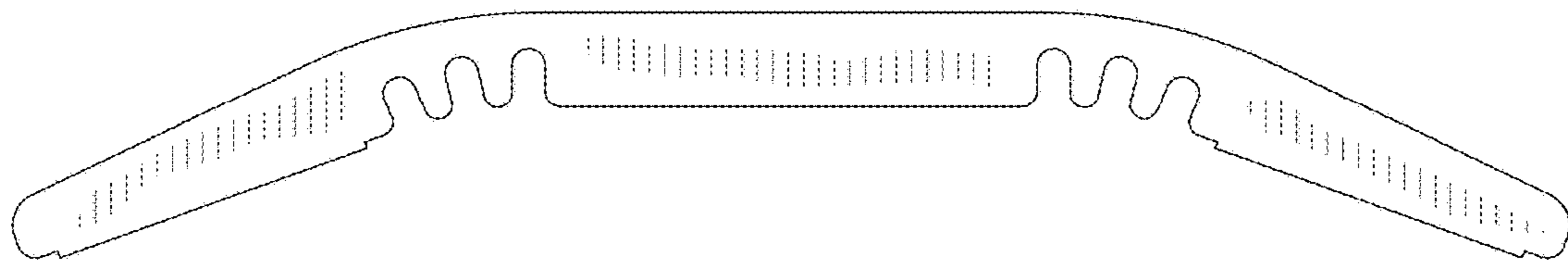


FIG. 6

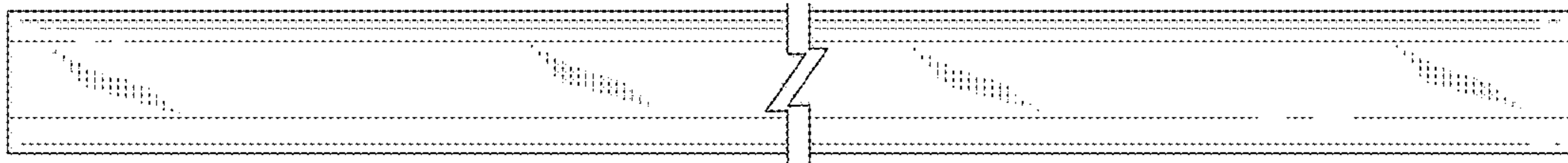


FIG. 7

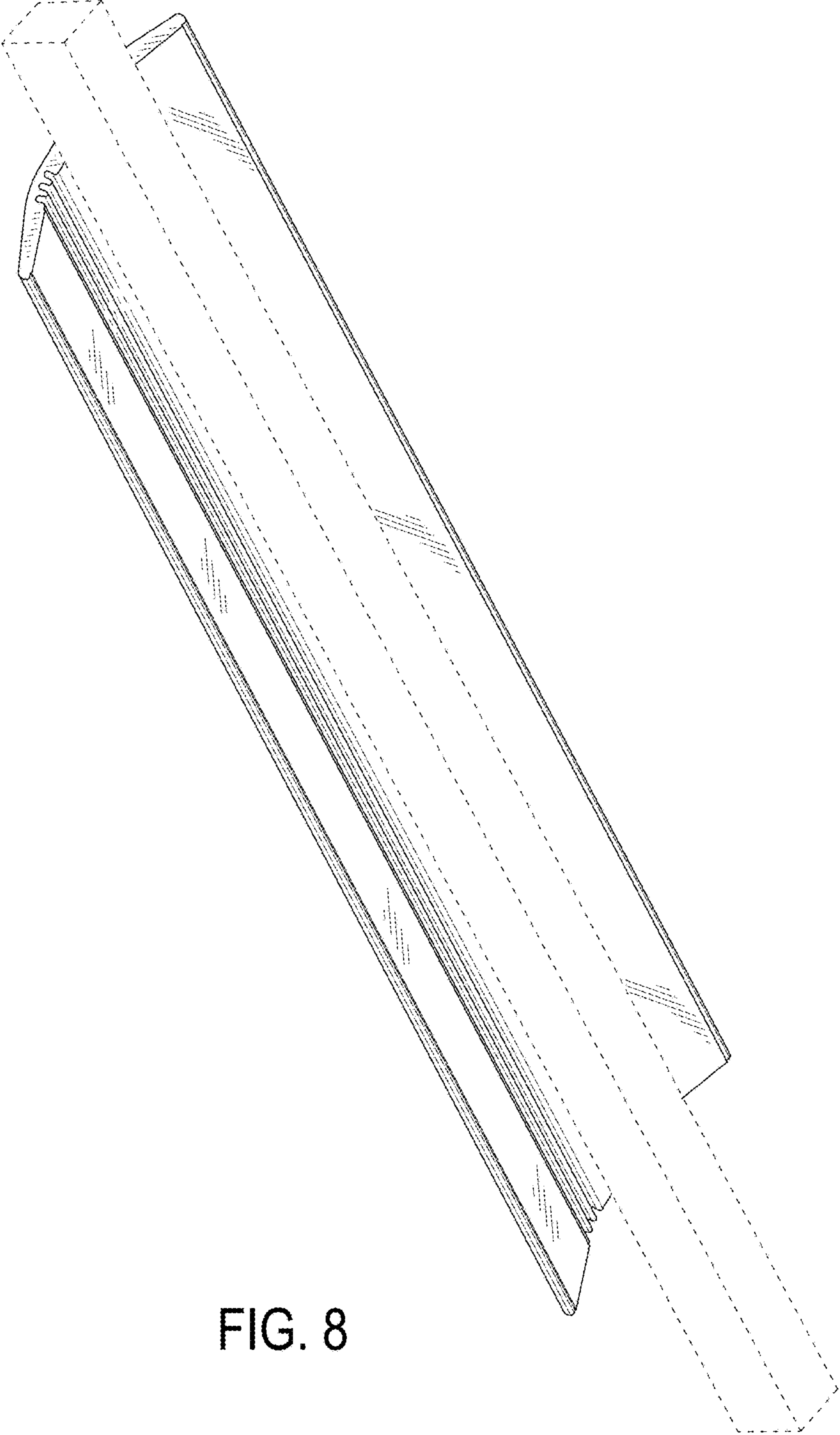


FIG. 8