

US00D802973S

(12) **United States Design Patent** (10) **Patent No.:** **US D802,973 S**
Chang et al. (45) **Date of Patent:** **** *Nov. 21, 2017**

(54) **TABLE LEG FOR A DISPLAY STAND**
(71) Applicant: **Samsung Electronics Co., Ltd.**,
Suwon-si (KR)
(72) Inventors: **Jaeyoung Chang**, Seoul (KR); **Haneol Park**,
Yongin-si (KR); **Junjae Lee**, Yongin-si (KR); **Sangwook Choi**,
Yongin-si (KR); **Kyungho Kim**, Seongnam-si (KR); **Sungyub Kim**,
Seoul (KR); **Sumyun Kim**, Seoul (KR)
(73) Assignee: **Samsung Electronics Co., Ltd.**,
Suwon-si (KR)

D333,230 S * 2/1993 Bareiss D6/696.1
D333,231 S * 2/1993 Bareiss D6/697
D391,990 S * 3/1998 Wolff D19/78
D407,581 S * 4/1999 Diehl D6/677
D486,022 S * 2/2004 Shamoon D6/553
D493,590 S * 7/2004 Chen D34/1
D535,842 S * 1/2007 Wood D6/567
D595,775 S * 7/2009 Weinstein D19/90
D602,667 S * 10/2009 Barbieri D34/1
D623,376 S * 9/2010 Griebel D1/122
D649,728 S * 11/2011 Campbell D34/1
D668,118 S * 10/2012 Hayes D7/602
D710,443 S * 8/2014 Stravitz D19/90
D760,522 S * 7/2016 Bonuccelli D25/122
D774,762 S * 12/2016 Aller D3/304
D782,143 S * 3/2017 Divizinskiy D34/1

(*) Notice: This patent is subject to a terminal disclaimer.

(**) Term: **15 Years**

(21) Appl. No.: **29/551,088**

(22) Filed: **Jan. 11, 2016**

(30) **Foreign Application Priority Data**

Jul. 17, 2015 (KR) 30-2015-0036210

(51) **LOC (10) Cl.** **06-06**

(52) **U.S. Cl.**
USPC **D6/708.17**

(58) **Field of Classification Search**
USPC D6/675, 685, 691, 708, 708.17, 708.21,
D6/709, 712
CPC A47B 13/00; A47B 13/02; A47B 13/023;
A47B 2200/002; A47B 2200/0021
See application file for complete search history.

(56) **References Cited**

U.S. PATENT DOCUMENTS

D330,655 S * 11/1992 Bareiss D6/696.1
D333,229 S * 2/1993 Bareiss D6/697

(Continued)
Primary Examiner — Kelley Donnelly
(74) *Attorney, Agent, or Firm* — NSIP Law

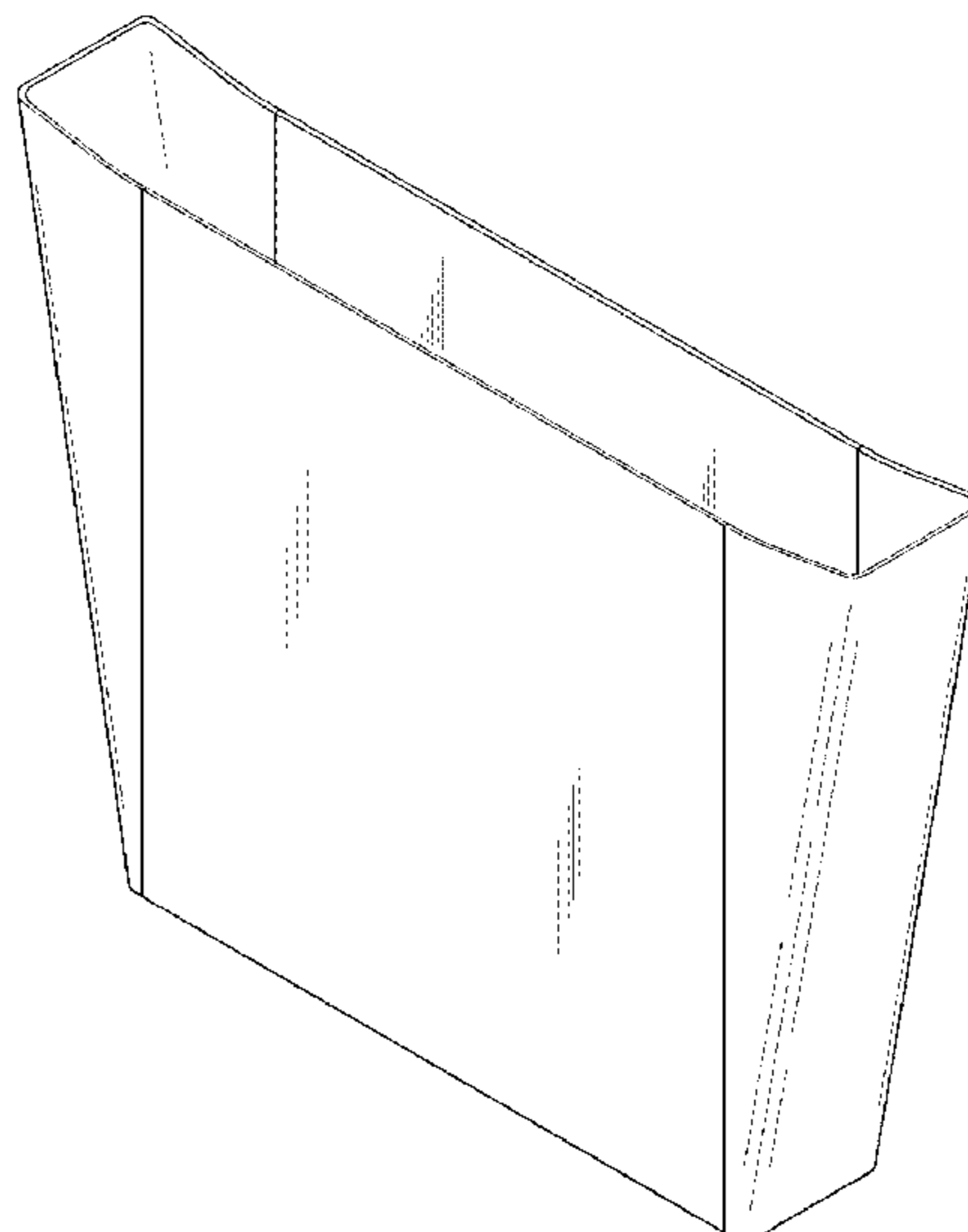
(57) **CLAIM**

We claim the ornamental design for a table leg for a display stand, as shown and described.

DESCRIPTION

FIG. 1 is a front perspective view of a table leg for a display stand showing our new design;
FIG. 2 is a front view thereof;
FIG. 3 is a rear view thereof;
FIG. 4 is a left-side view thereof;
FIG. 5 is a right-side view thereof;
FIG. 6 is a top view thereof;
FIG. 7 is a bottom view thereof;
FIG. 8 is a reference view thereof, in which a table leg for a display stand is applied; and,
FIG. 9 is a reference view thereof, showing a table leg for a display stand before assembling.
The broken lines in the figures show portions of a table leg for a display stand which are environmental structure and form no part of the claimed design.

1 Claim, 5 Drawing Sheets



(56)

References Cited

U.S. PATENT DOCUMENTS

D784,060 S * 4/2017 Davidsen D6/691
2017/0051869 A1* 2/2017 Hsiao F16M 11/26

* cited by examiner

FIG.1

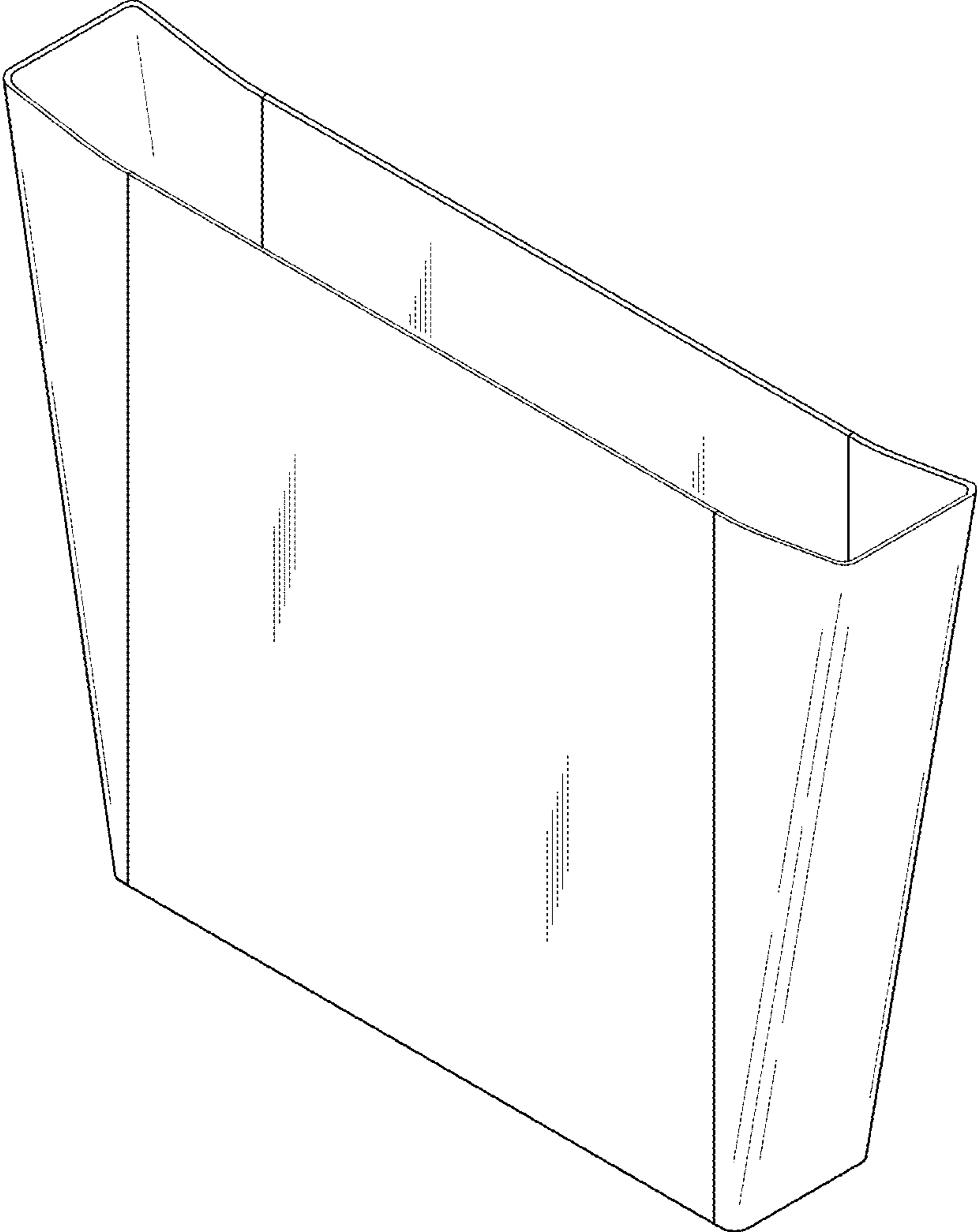


FIG.2

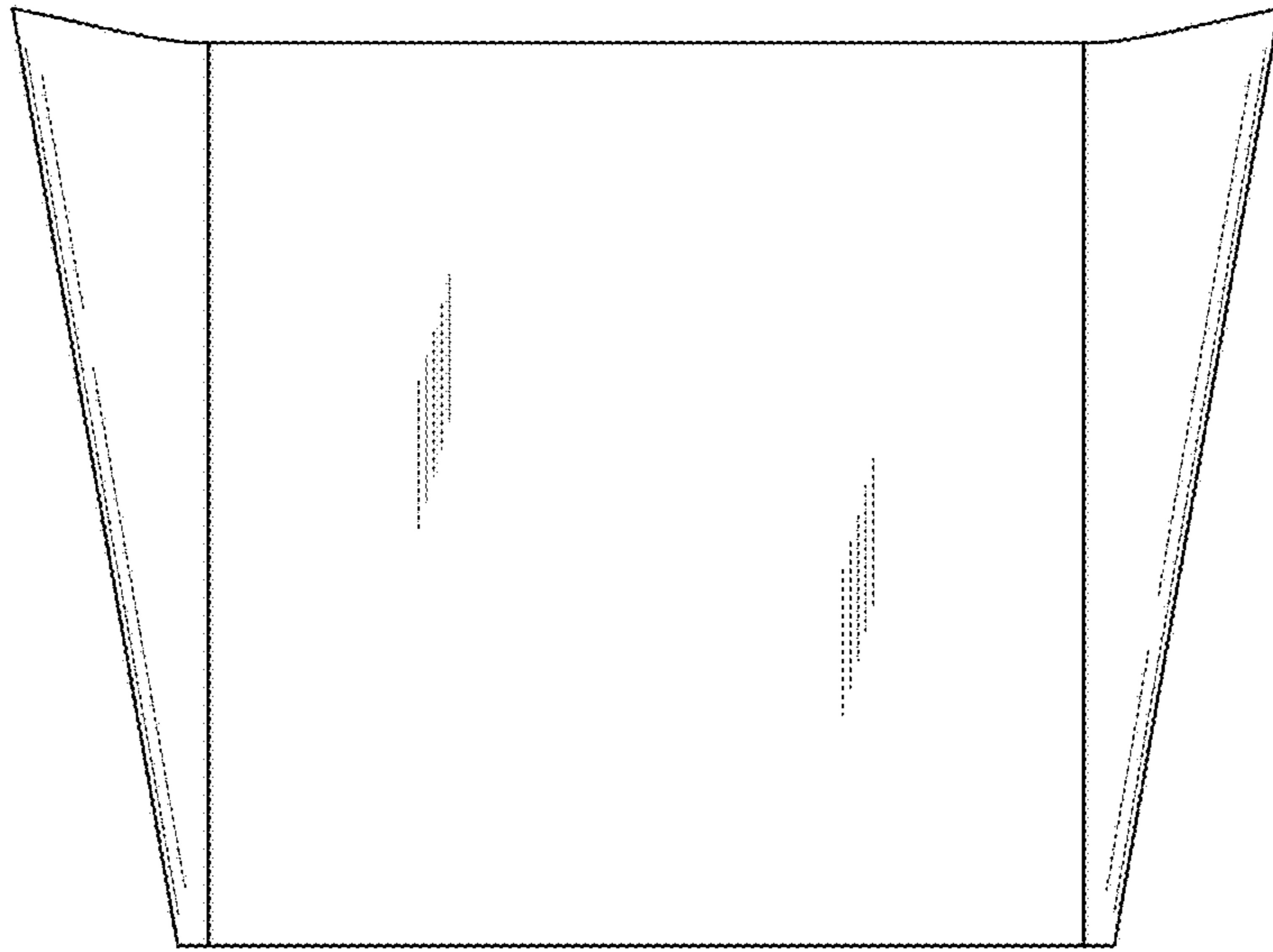


FIG.3

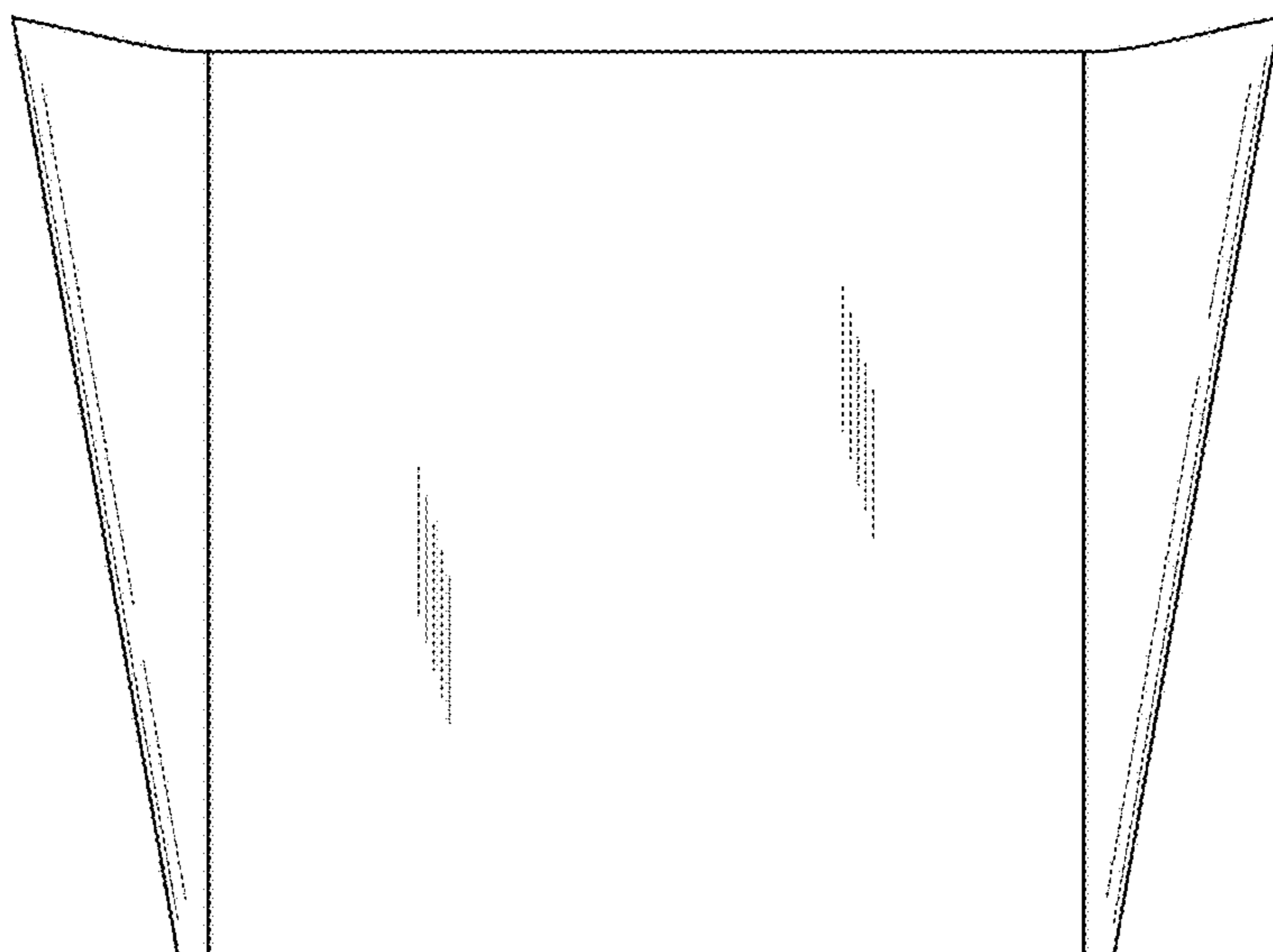


FIG.4

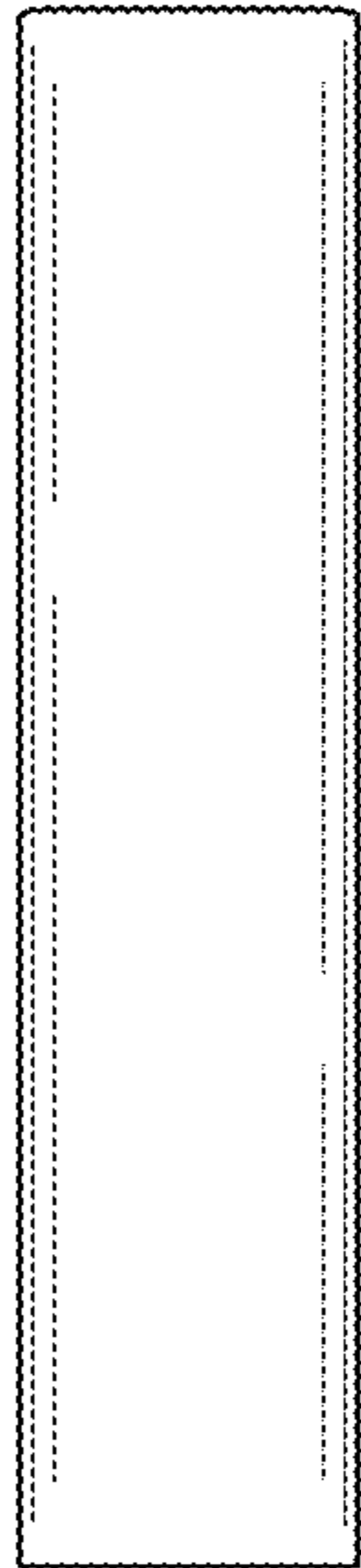


FIG.5

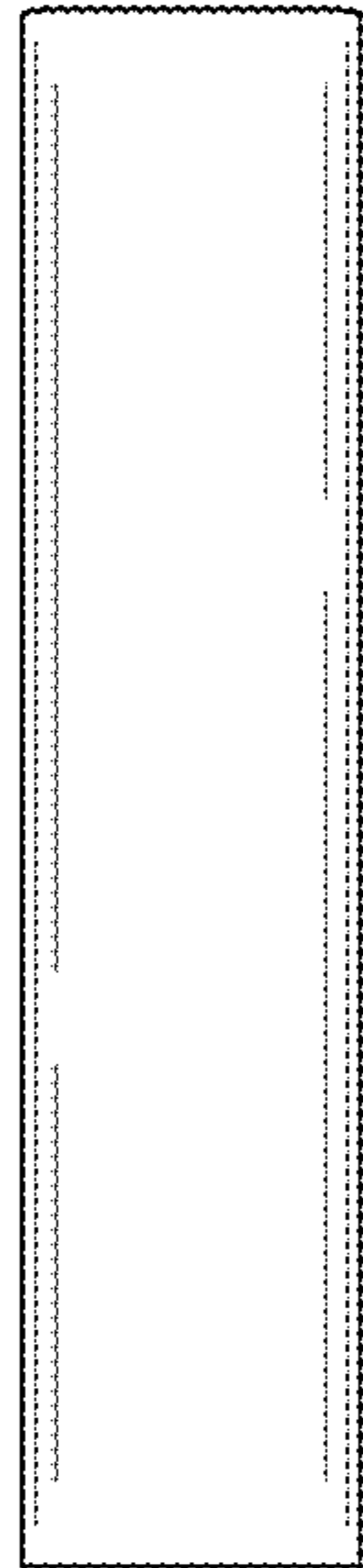


FIG.6



FIG.7

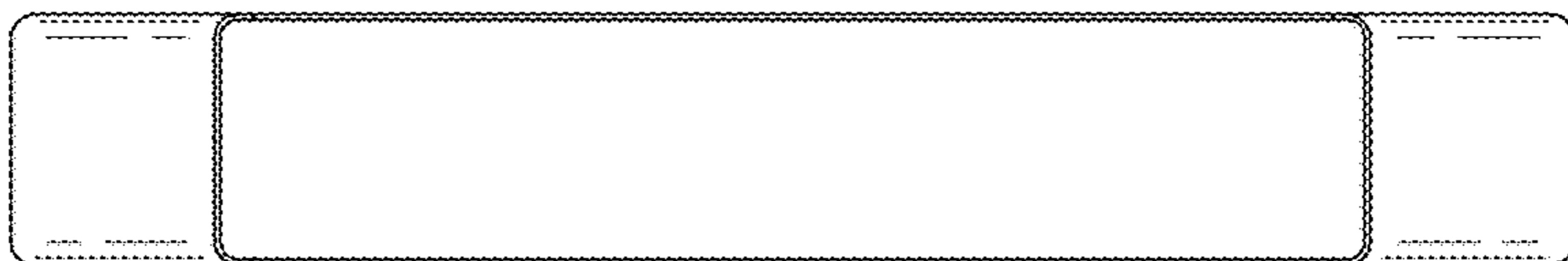


FIG.8

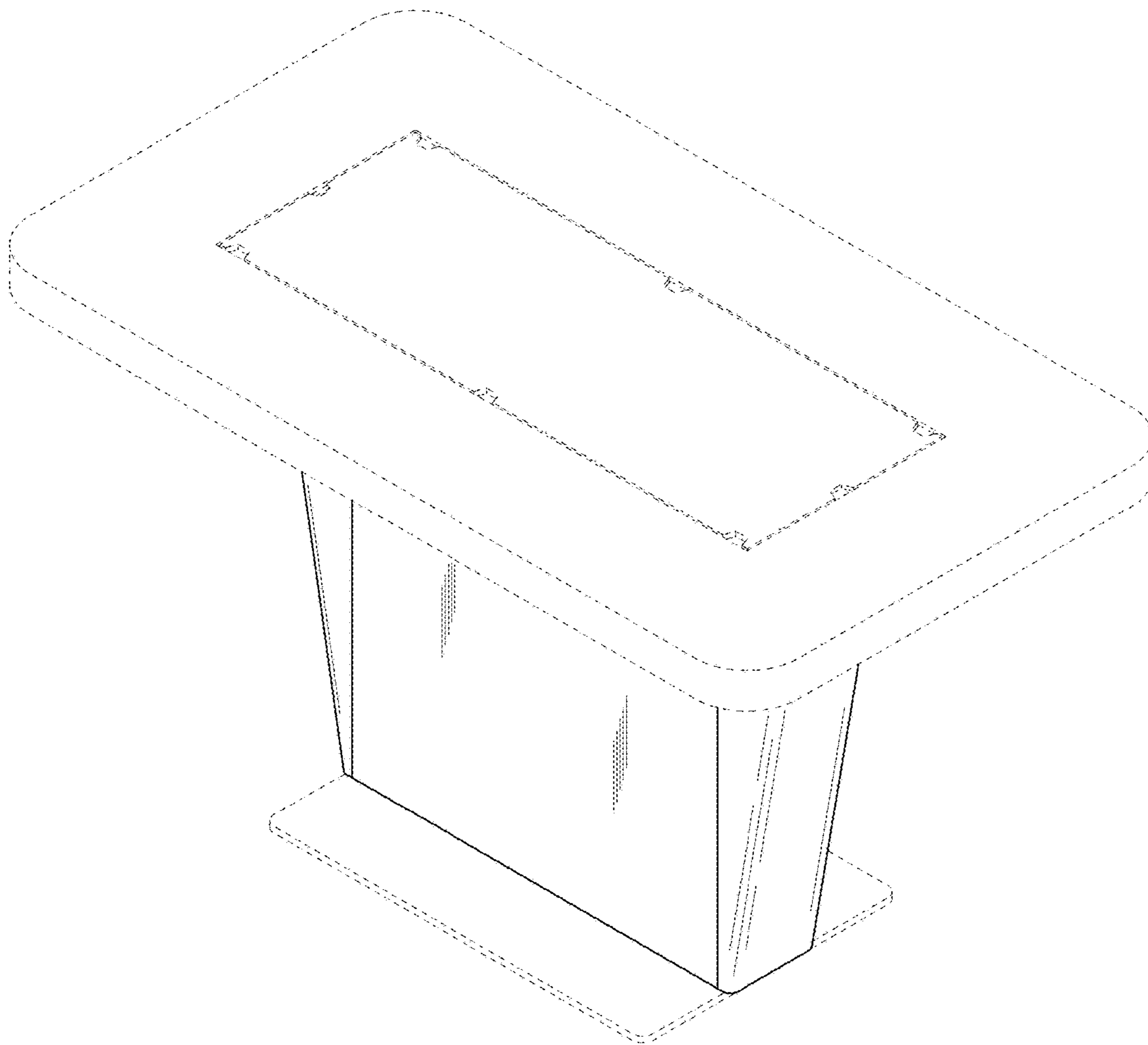


FIG.9

