



US00D802970S

(12) **United States Design Patent**
Henonin

(10) **Patent No.:** **US D802,970 S**

(45) **Date of Patent:** **** Nov. 21, 2017**

(54) **MODULAR FOOD PRODUCT DISPLAY
STAND TOPPER**

(71) Applicant: **Sabritas S. de R.L. de C.V.**, Mexico
City (MX)

(72) Inventor: **Carolina Henonin**, Mexico City (MX)

(73) Assignee: **SABRITAS S. DE R.L. DE C.V.**,
Mexico City (MX)

(**) Term: **15 Years**

(21) Appl. No.: **29/586,115**

(22) Filed: **Nov. 30, 2016**

(51) **LOC (10) Cl.** **06-06**

(52) **U.S. Cl.**
USPC **D6/675**

(58) **Field of Classification Search**
USPC D3/318, 323, 326; D6/675, 702, 707,
D6/707.19; D7/387, 396.1, 402, 213
CPC A47B 2210/08; B65D 23/08; B65D 25/34;
B65D 43/00; B65D 43/02
See application file for complete search history.

(56) **References Cited**

U.S. PATENT DOCUMENTS

- D383,339 S * 9/1997 Grosfillex D6/705.7
- D414,588 S * 9/1999 Mires D34/11
- 6,000,576 A * 12/1999 Liu B65D 21/064
206/508
- D547,175 S * 7/2007 Berg D9/420
- D569,568 S * 5/2008 Blanchard D32/53.1
- D627,088 S * 11/2010 Schwartz D26/23
- D728,240 S * 5/2015 Luburic B65D 43/161
D3/318
- D728,579 S * 5/2015 Mecchella D14/440

- D731,111 S * 6/2015 Chen D26/128
- D734,864 S * 7/2015 Oonuma D24/216
- D767,926 S * 10/2016 Denby D6/705
- 9,468,312 B2 * 10/2016 Denby A47F 5/0043
- D784,745 S * 4/2017 Nilsson D6/705

* cited by examiner

Primary Examiner — Kelley Donnelly

(74) *Attorney, Agent, or Firm* — Krista Y. Chan; Colin P. Cahoon; Carstens & Cahoon, LLP

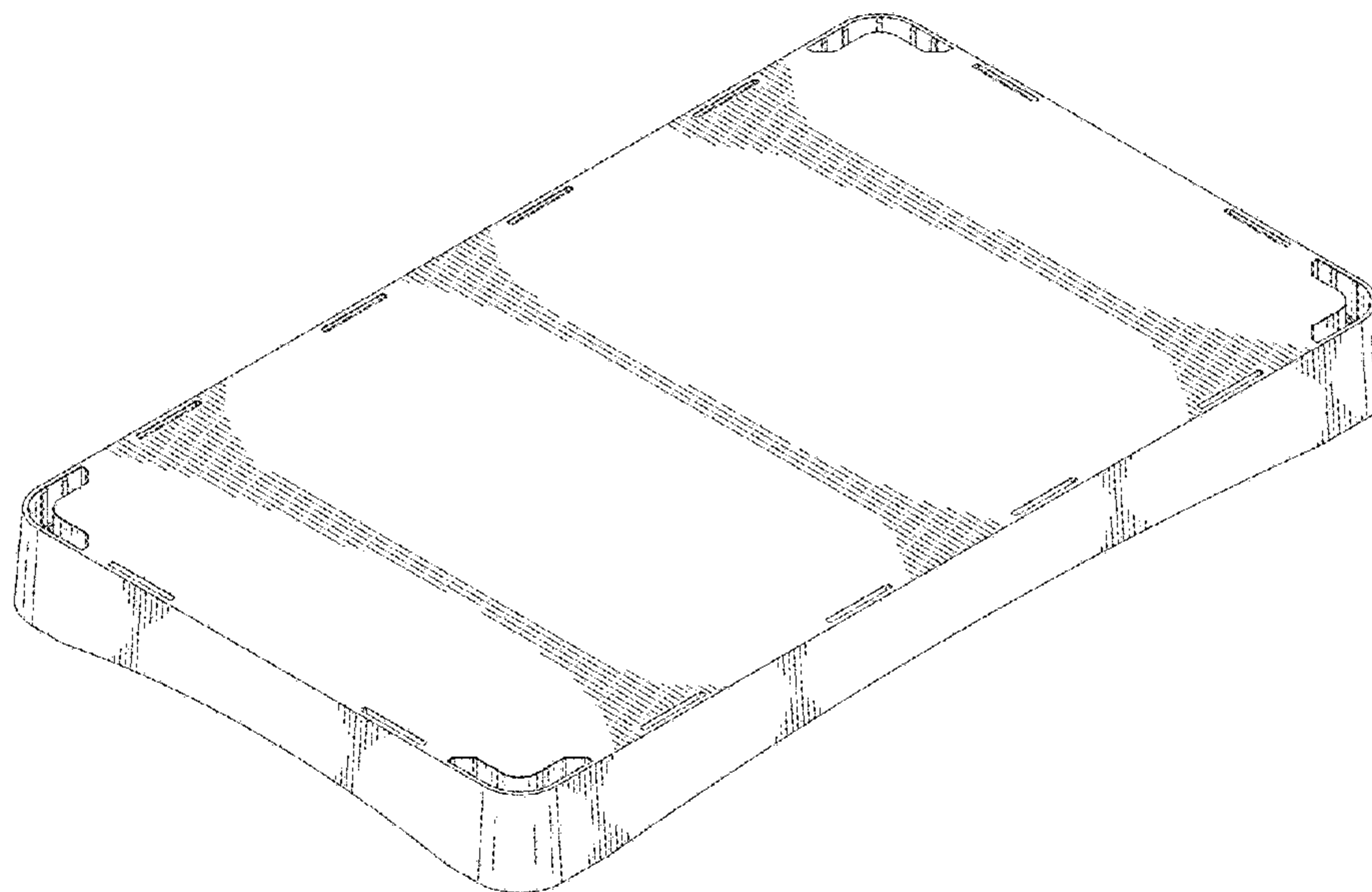
(57) **CLAIM**

The ornamental design for a modular food product display stand topper, as shown and described.

DESCRIPTION

FIG. 1 is a top perspective view of a modular food product display stand topper;
 FIG. 2 is a right side view of a modular food product display stand topper;
 FIG. 3 is a left side view of a modular food product display stand topper;
 FIG. 4 is a back view of a modular food product display stand topper;
 FIG. 5 is a front view of a modular food product display stand topper;
 FIG. 6 is a top view of a modular food product display stand topper;
 FIG. 7 is a bottom view of a modular food product display stand topper;
 FIG. 8 is a bottom perspective view of a modular food product display stand topper; and,
 FIG. 9 is a top perspective view of a modular food product display stand topper, shown with environment.
 The broken line showing of the environment is for illustrative purposes only and forms no part of the claimed design.

1 Claim, 7 Drawing Sheets



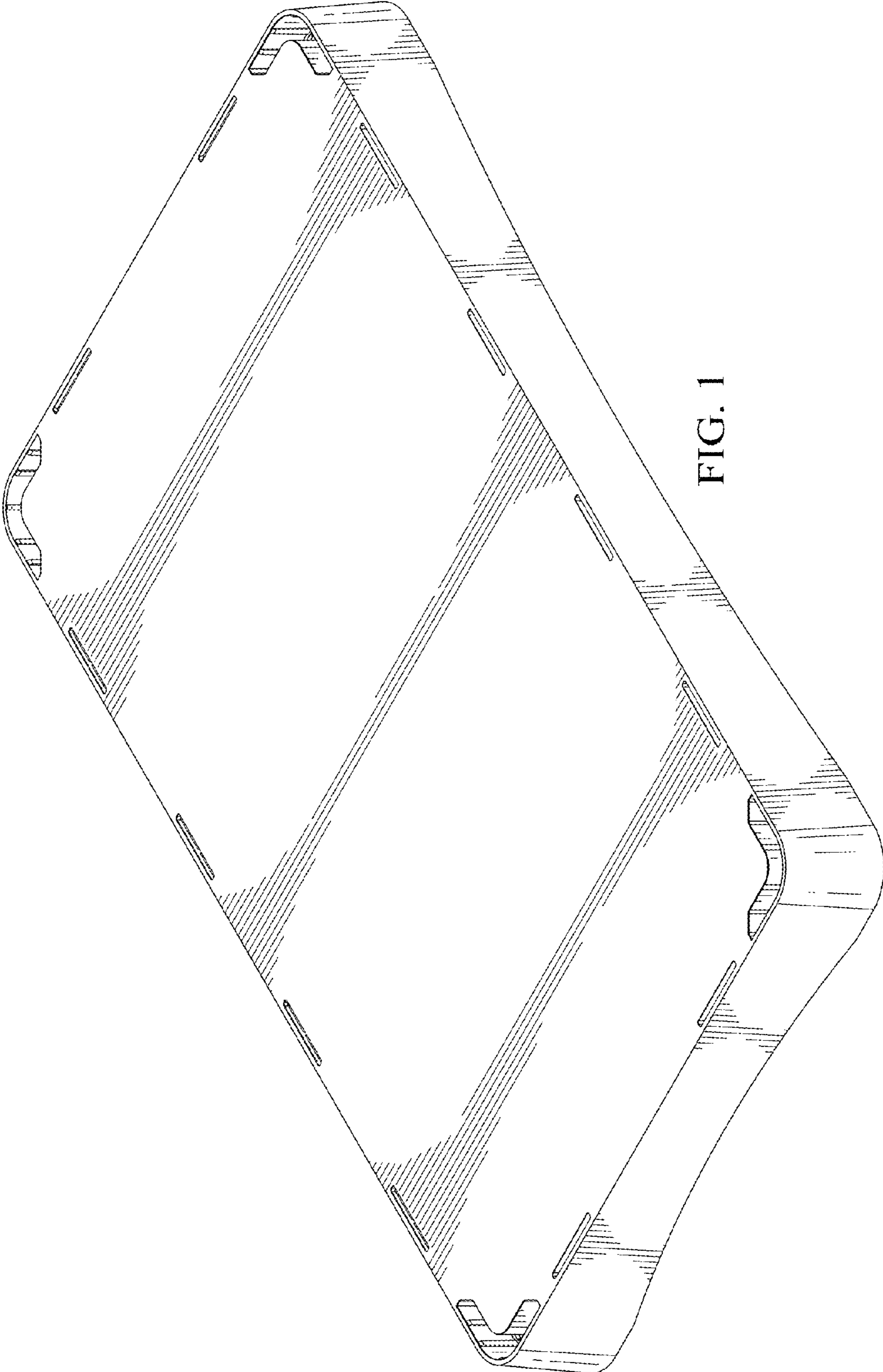


FIG. 1

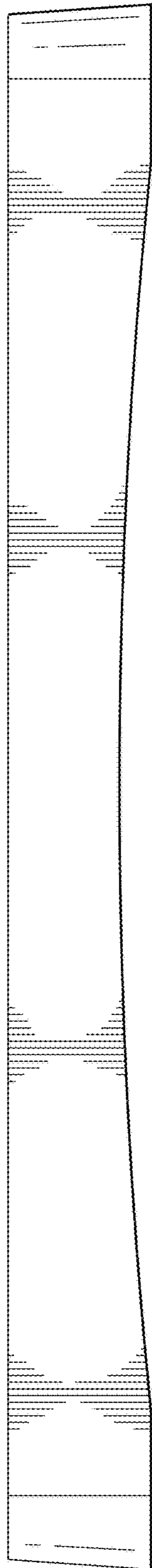


FIG. 2

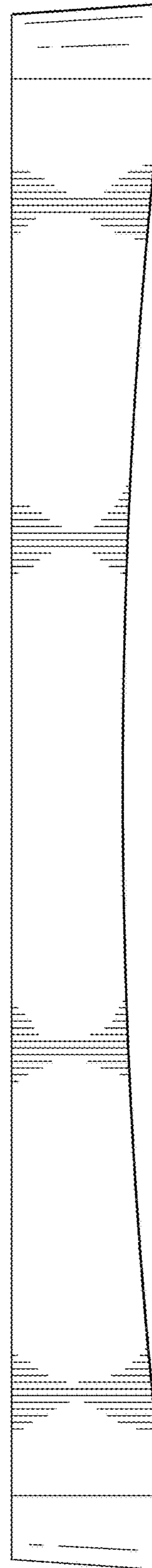


FIG. 3

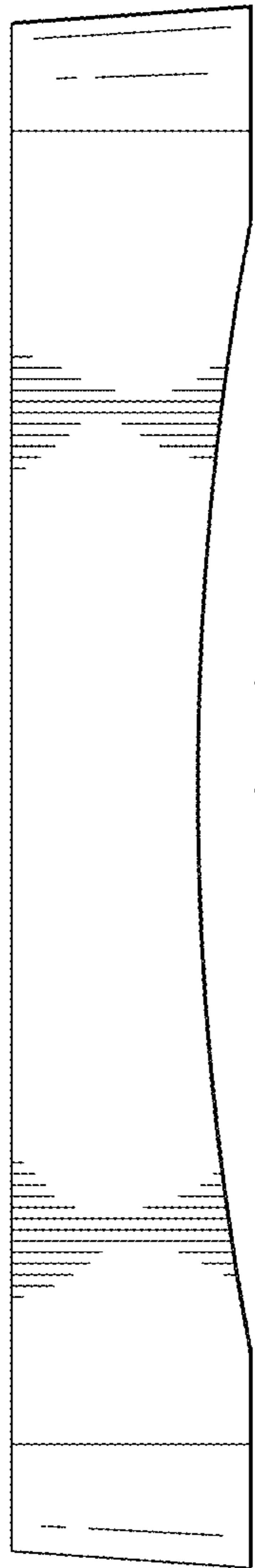


FIG. 4

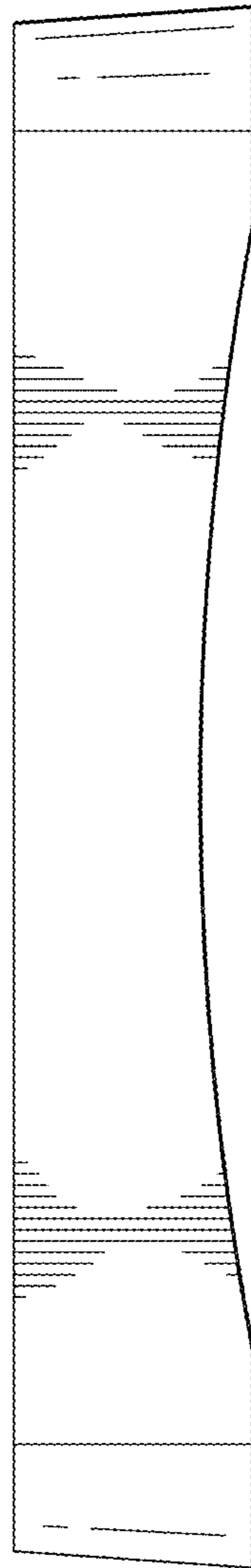


FIG. 5

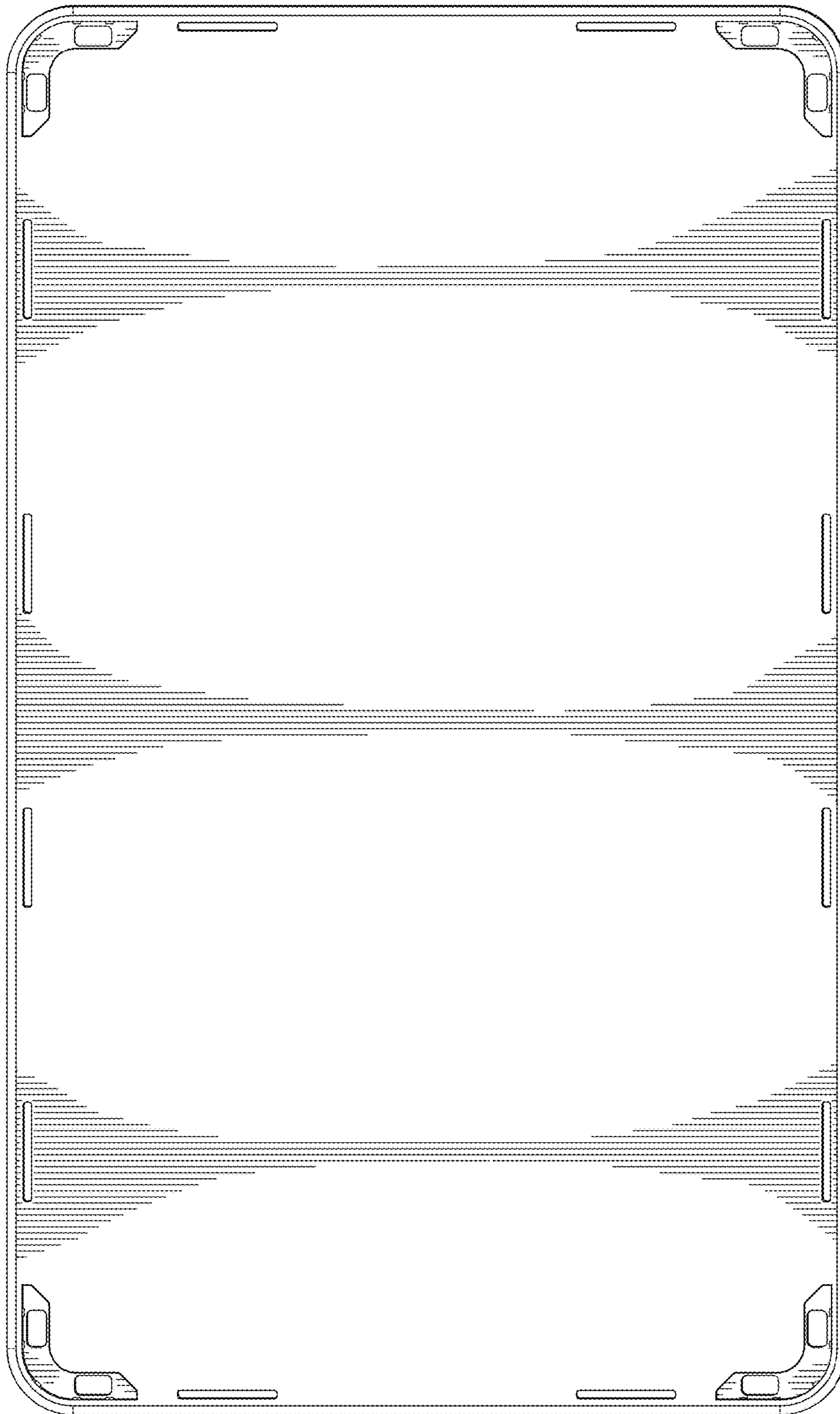


FIG. 6

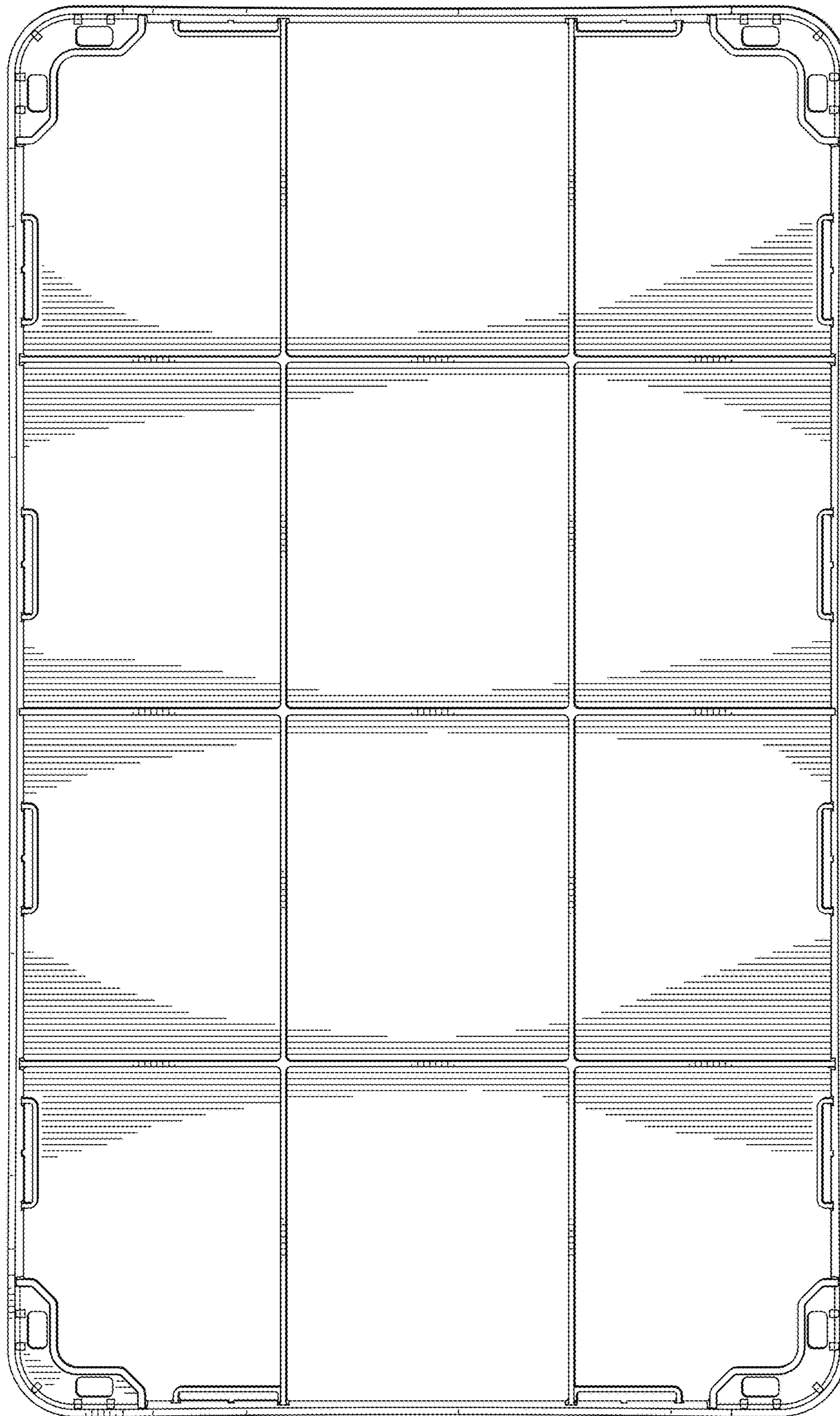


FIG. 7

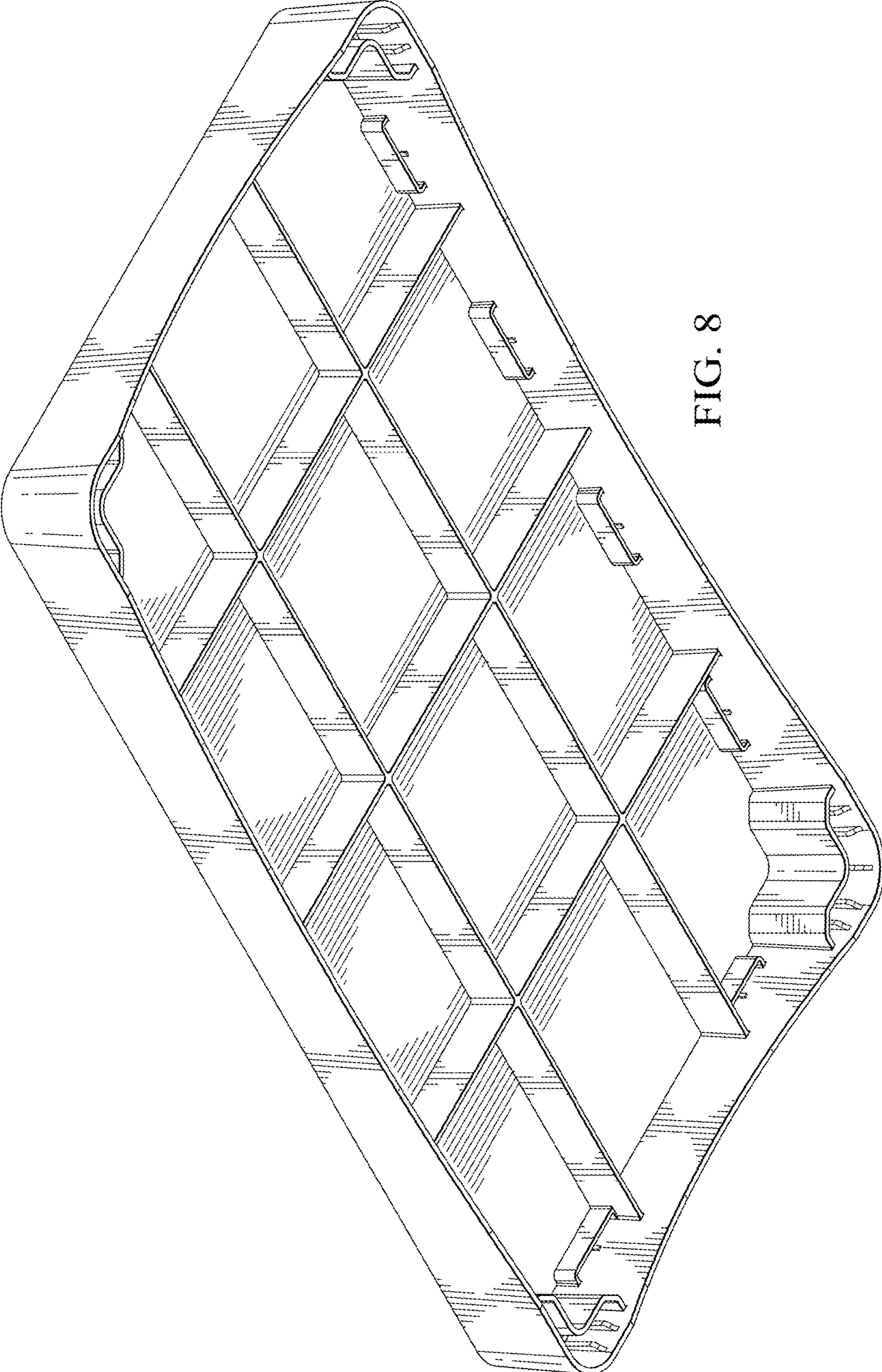


FIG. 8

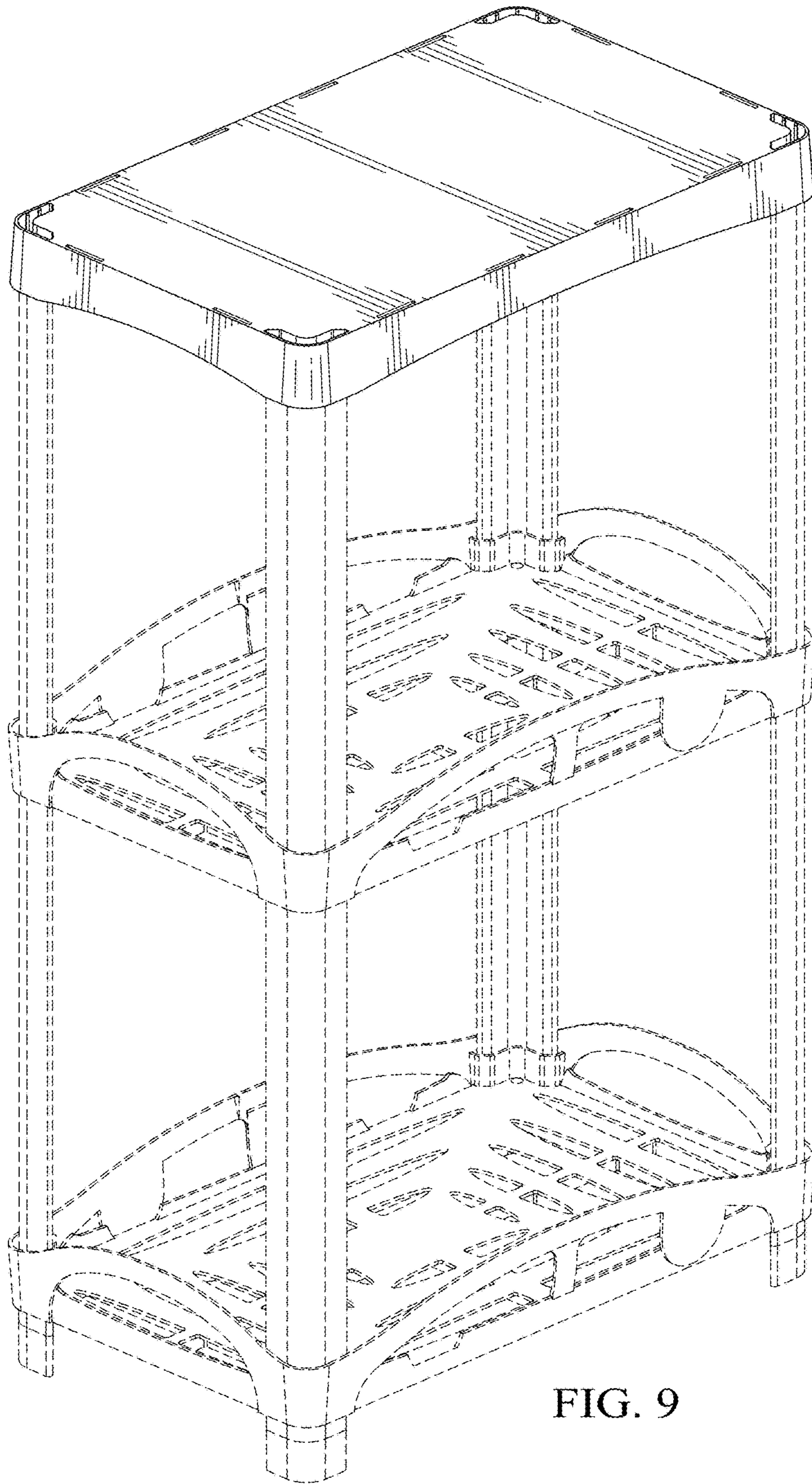


FIG. 9