



US00D802968S

(12) **United States Design Patent**  
**Henonin**

(10) **Patent No.:** **US D802,968 S**

(45) **Date of Patent:** **\*\* Nov. 21, 2017**

(54) **MODULAR FOOD PRODUCT DISPLAY  
STAND TRAY**

(71) Applicant: **Sabritas S. de R.L. de C.V.**, Mexico  
City (MX)

(72) Inventor: **Carolina Henonin**, Mexico City (MX)

(73) Assignee: **SABRITAS S. DE R.L. DE C.V.**,  
Mexico City (MX)

(\*\*) Term: **15 Years**

(21) Appl. No.: **29/586,111**

(22) Filed: **Nov. 30, 2016**

(51) **LOC (10) Cl.** ..... **06-06**

(52) **U.S. Cl.**  
USPC ..... **D6/675**

(58) **Field of Classification Search**  
USPC ..... D3/304, 307, 308, 309, 312, 314;  
D6/675, 672, 683; D7/500, 550.1, 552.1,  
D7/554.3, 555, 601-602, 396.1  
CPC ..... A47B 43/00; A47F 5/0018; A47F 7/0071;  
A47G 19/00; B65D 1/00; B65D 1/34  
See application file for complete search history.

(56) **References Cited**

**U.S. PATENT DOCUMENTS**

- D269,672 S \* 7/1983 Seltzer ..... D13/119
- D269,868 S \* 7/1983 Seltzer ..... D13/119
- 4,523,681 A \* 6/1985 Kreeger ..... B65D 21/041  
206/507
- 4,577,759 A \* 3/1986 Kreeger ..... B65D 21/041  
206/505
- D383,339 S \* 9/1997 Grosfillex ..... D6/705.7
- 5,722,544 A \* 3/1998 Williams ..... A47B 87/008  
108/107
- D469,255 S \* 1/2003 Hammett ..... B65D 1/22  
D3/314
- D531,379 S \* 10/2006 Piner ..... D99/29

- D557,011 S \* 12/2007 Fernandez ..... D3/307
- D615,777 S \* 5/2010 Lee ..... D6/675.1
- D637,022 S \* 5/2011 Noble Colin ..... D6/705.7
- D701,408 S \* 3/2014 Mason ..... D6/705.7
- D727,791 S \* 4/2015 Montagano ..... D11/155
- D754,458 S \* 4/2016 Mason ..... D6/675.1
- D759,998 S \* 6/2016 Mason ..... D6/675.1
- D770,232 S \* 11/2016 Brown ..... D7/554.3
- D775,883 S \* 1/2017 Mason ..... D6/705

(Continued)

*Primary Examiner* — Kelley Donnelly

(74) *Attorney, Agent, or Firm* — Krista Y. Chan; Colin P. Cahoon; Carstens & Cahoon, LLP

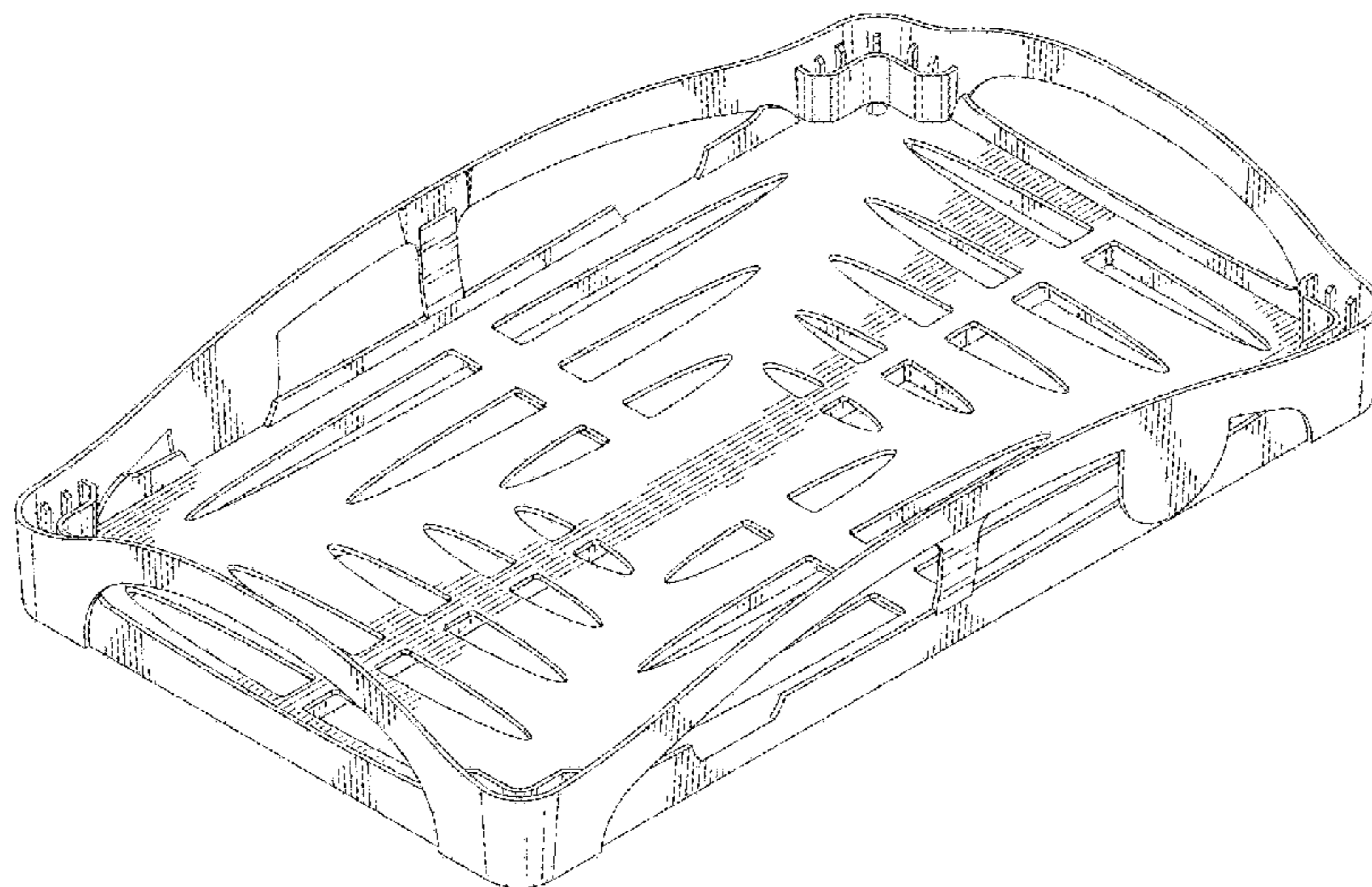
(57) **CLAIM**

The ornamental design for a modular food product display stand tray, as shown and described.

**DESCRIPTION**

FIG. 1 is a top perspective view of a modular food product display stand tray;  
 FIG. 2 is a right side view of a modular food product display stand tray;  
 FIG. 3 is a left side view of a modular food product display stand tray;  
 FIG. 4 is a back view of a modular food product display stand tray;  
 FIG. 5 is a front view of a modular food product display stand tray;  
 FIG. 6 is a top view of a modular food product display stand tray;  
 FIG. 7 is a bottom view of a modular food product display stand tray;  
 FIG. 8 is a bottom perspective view of a modular food product display stand tray; and,  
 FIG. 9 is a top perspective view of a modular food product display stand tray, shown with environment.  
 The broken line showing of the environment is for illustrative purposes only and forms no part of the claimed design.

**1 Claim, 7 Drawing Sheets**



(56)

**References Cited**

U.S. PATENT DOCUMENTS

D782,382 S \* 3/2017 Jaimes ..... D12/203  
2003/0183549 A1\* 10/2003 Verna ..... B65D 21/045  
206/509  
2005/0183980 A1\* 8/2005 Fernandez ..... B65D 1/34  
206/509  
2006/0070906 A1\* 4/2006 Verna ..... B65D 21/041  
206/509  
2008/0128319 A1\* 6/2008 Noble Colin ..... A47B 57/20  
206/745

\* cited by examiner



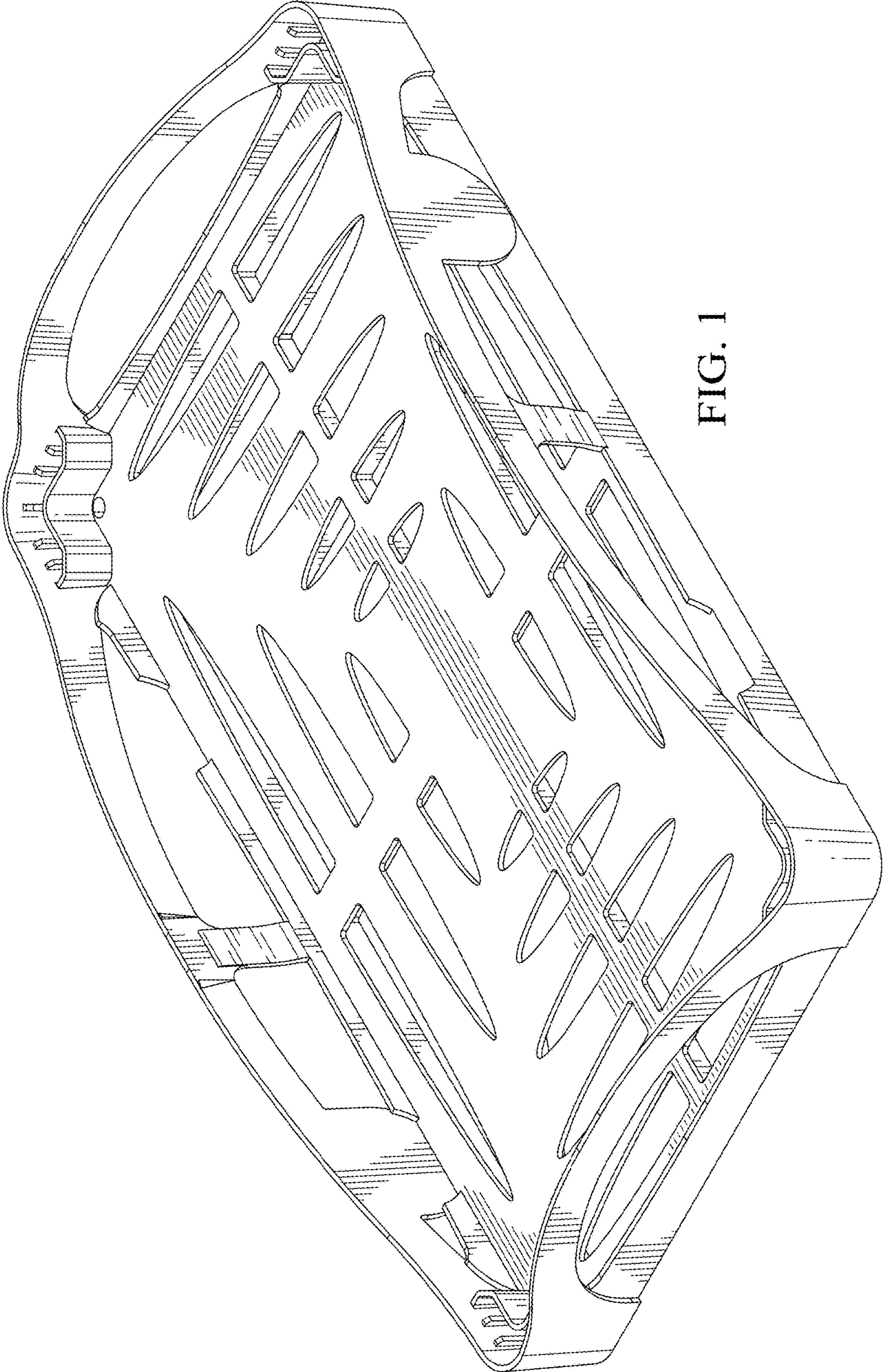


FIG. 1

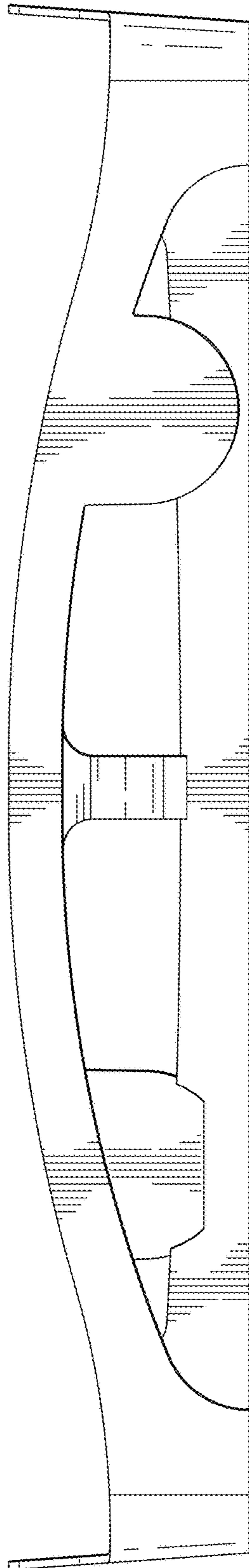


FIG. 2

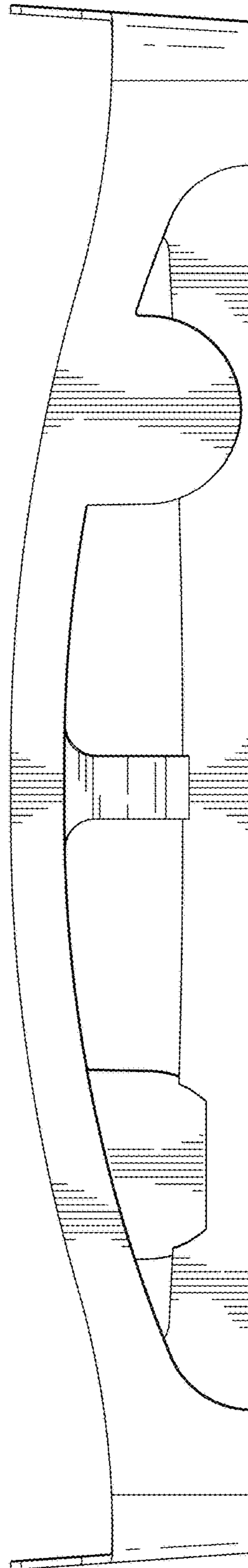


FIG. 3

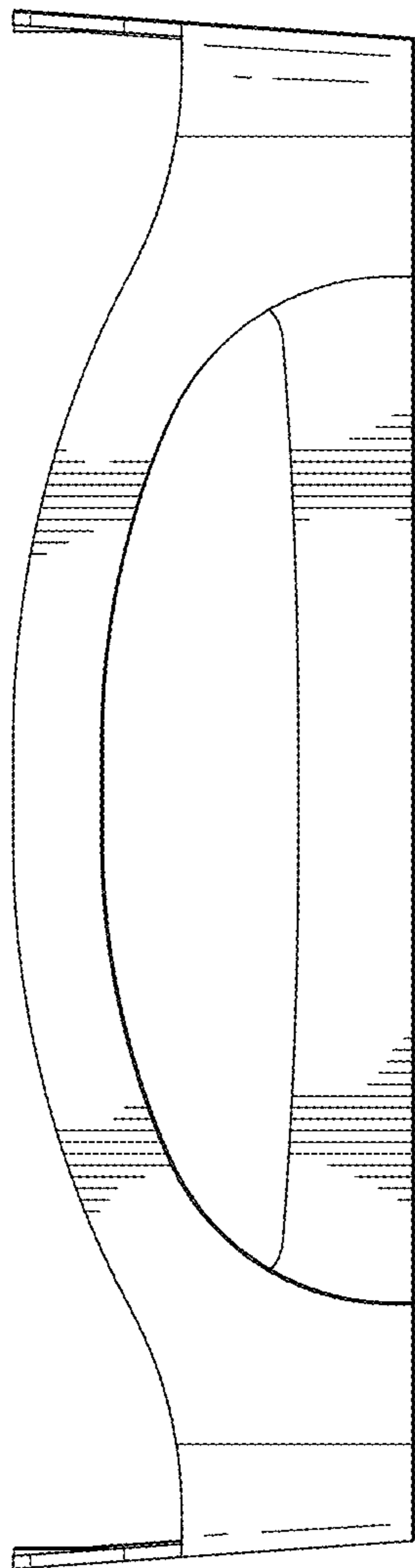


FIG. 4

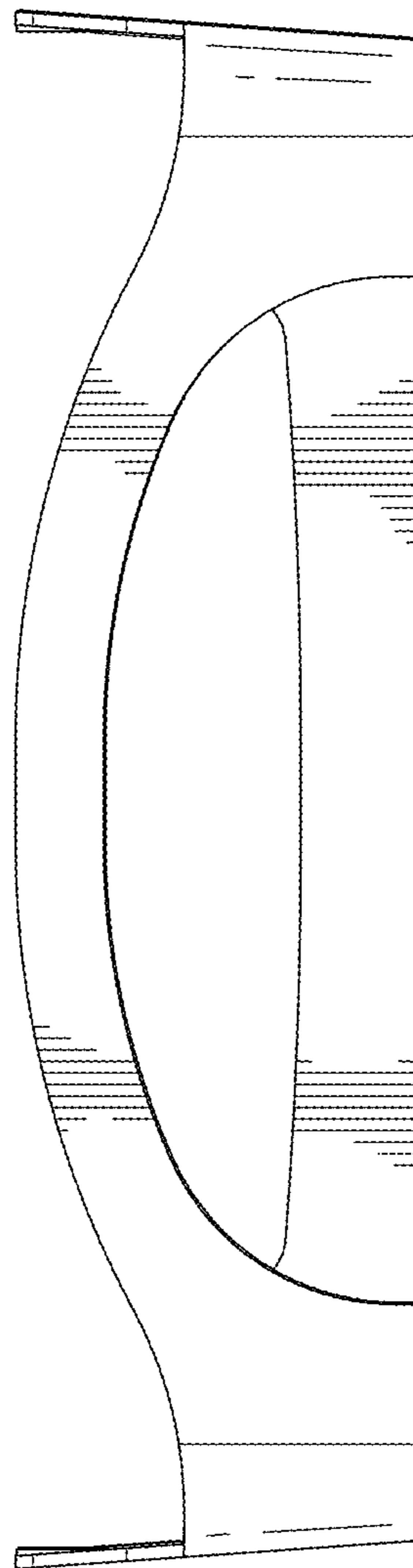


FIG. 5



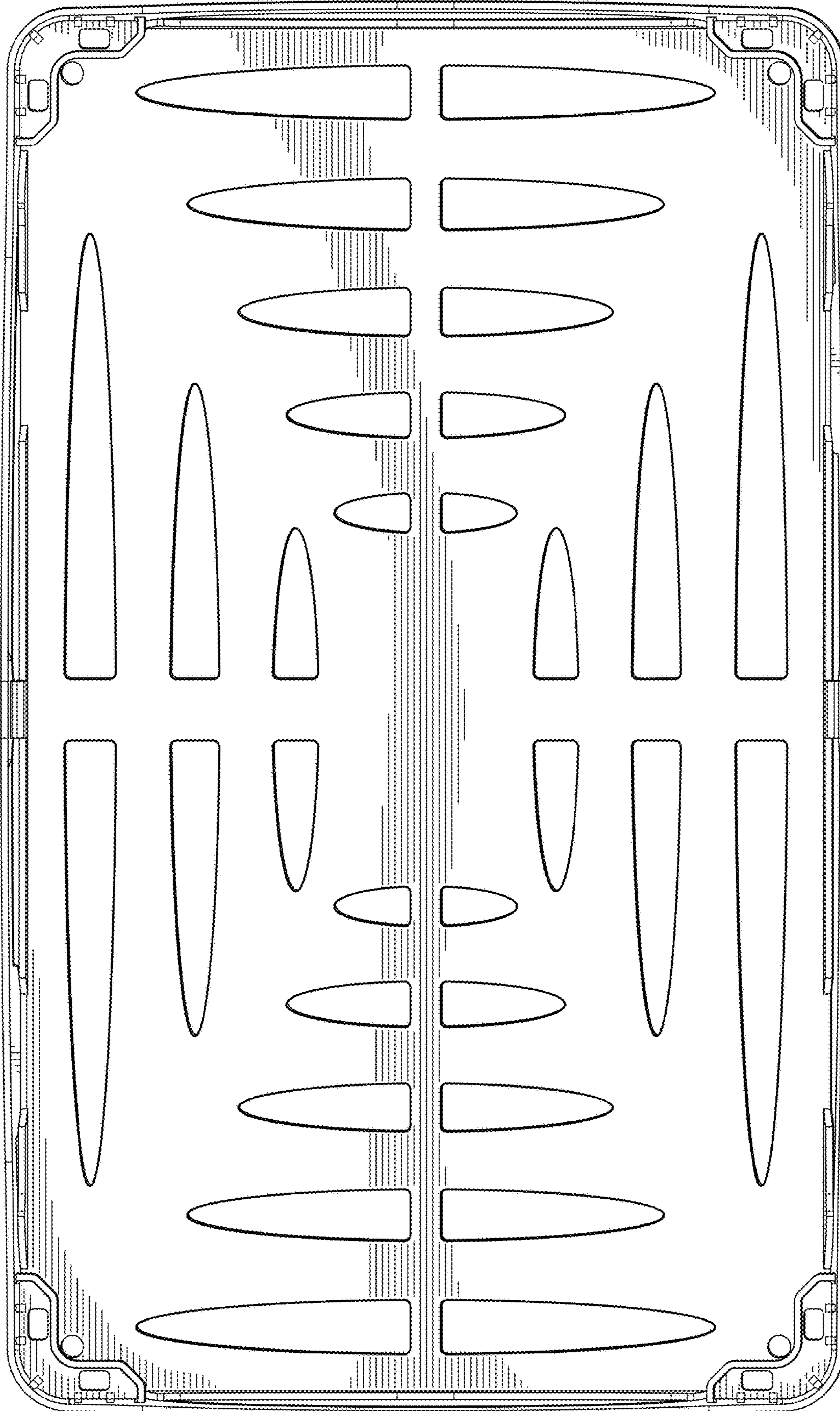


FIG. 6

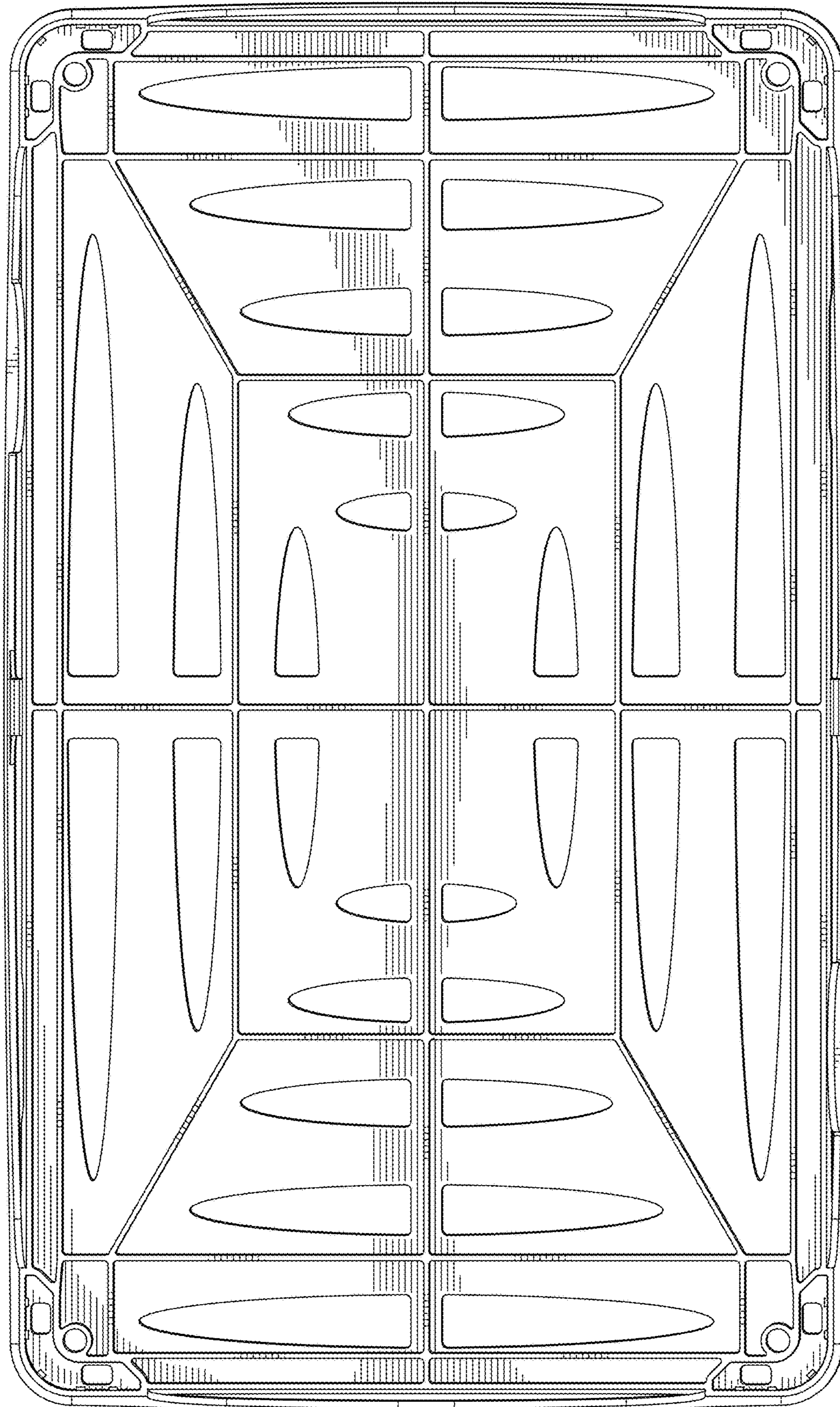


FIG. 7



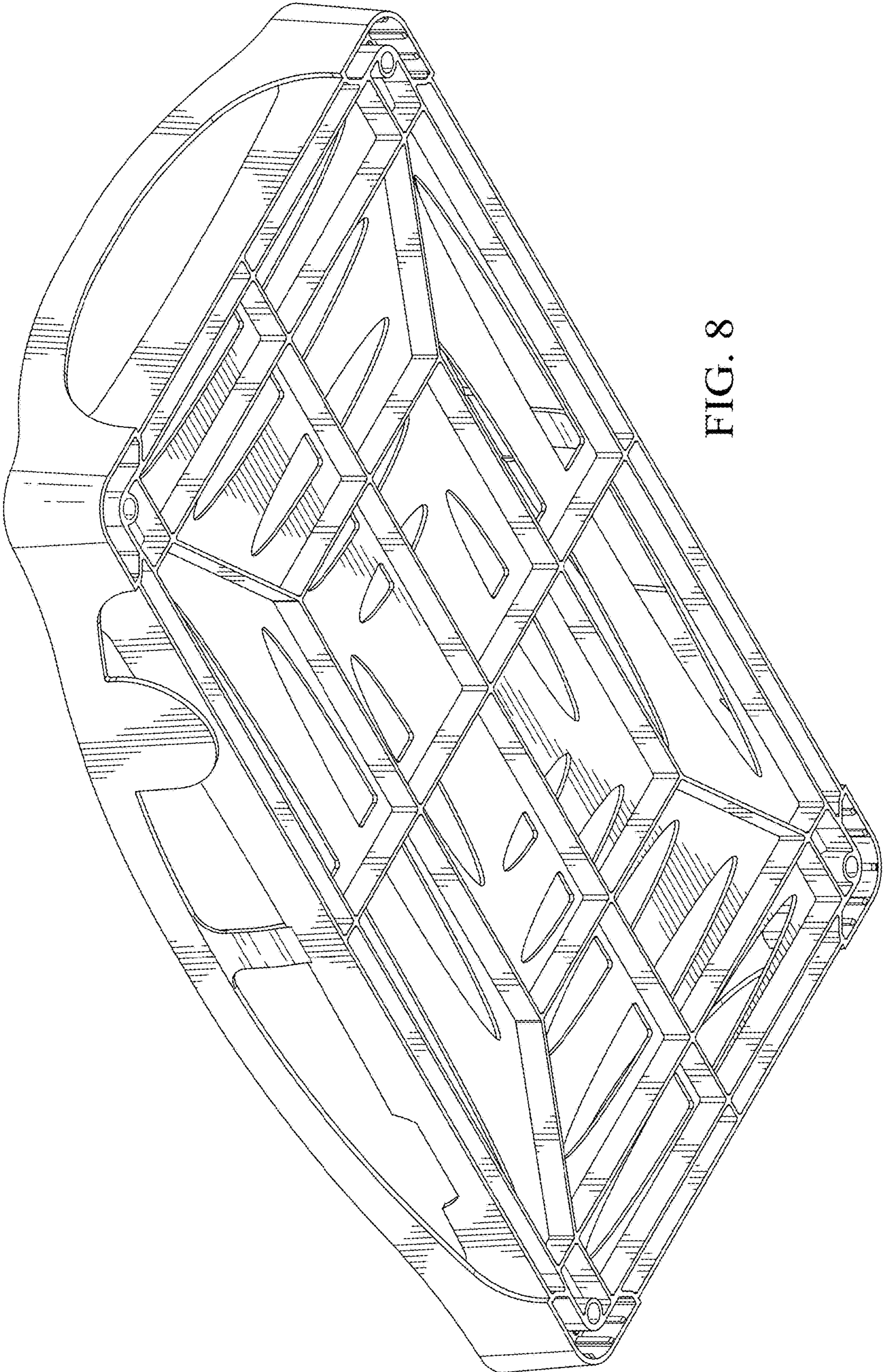


FIG. 8



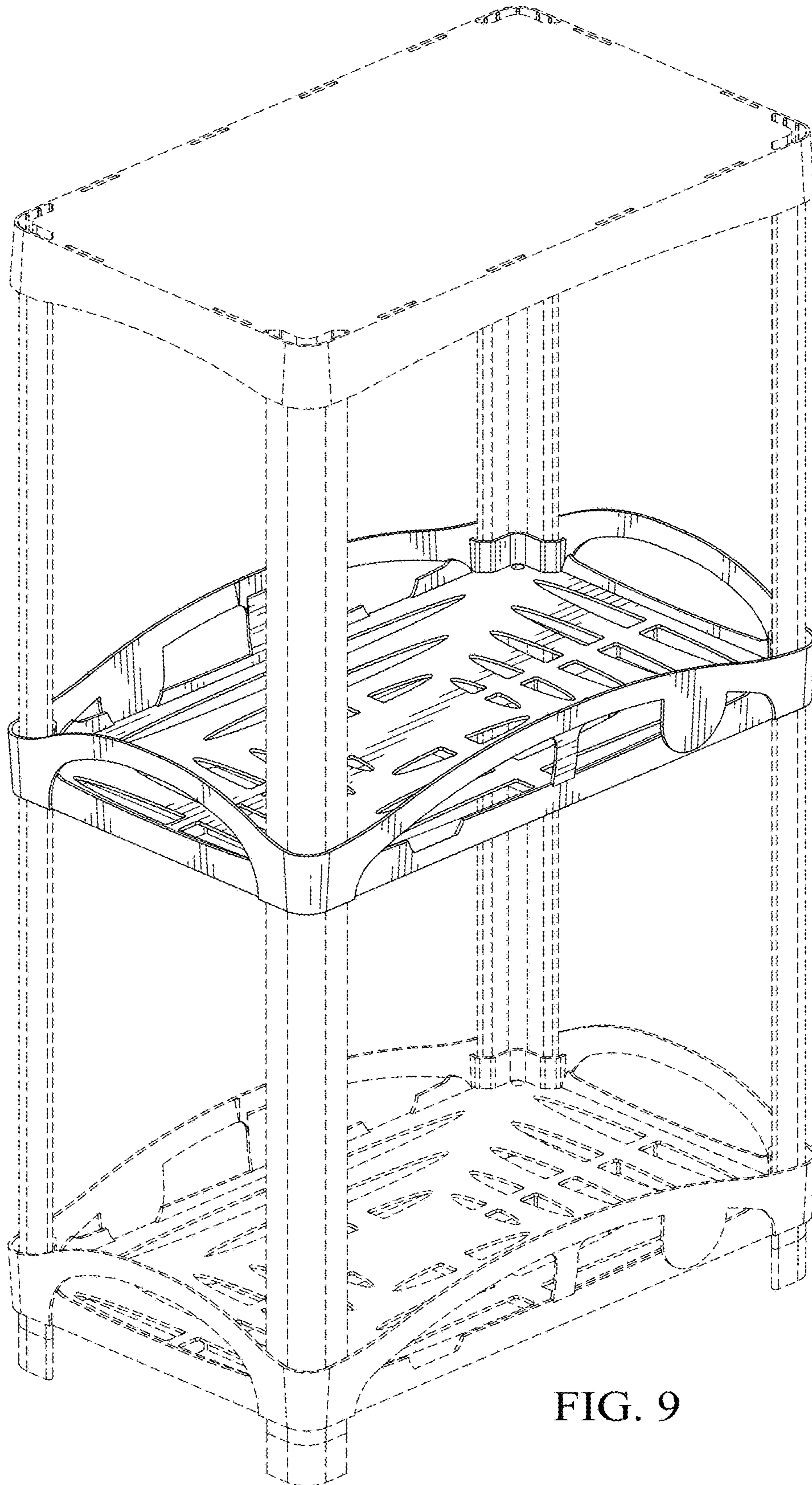


FIG. 9