



US00D802967S

(12) **United States Design Patent**
Henonin

(10) **Patent No.:** **US D802,967 S**

(45) **Date of Patent:** **** Nov. 21, 2017**

(54) **MODULAR FOOD PRODUCT DISPLAY
STAND TRAY**

(71) Applicant: **Sabritas S. de R.L. de C.V.**, Mexico
City (MX)

(72) Inventor: **Carolina Henonin**, Mexico City (MX)

(73) Assignee: **SABRITAS S. DE R.L. DE C.V.**,
Mexico City (MX)

(**) Term: **15 Years**

(21) Appl. No.: **29/586,109**

(22) Filed: **Nov. 30, 2016**

(51) **LOC (10) Cl.** **06-06**

(52) **U.S. Cl.**
USPC **D6/675**

(58) **Field of Classification Search**
USPC D3/304, 307, 308, 309, 312, 314;
D6/675, 672, 683; D7/500, 550.1, 552.1,
D7/554.3, 555, 601-602, 396.1
CPC A47B 43/00; A47F 5/0018; A47F 7/0071;
A47G 19/00; B65D 1/00; B65D 1/34
See application file for complete search history.

(56) **References Cited**

U.S. PATENT DOCUMENTS

- D269,672 S * 7/1983 Seltzer D13/119
- D269,868 S * 7/1983 Seltzer D13/119
- 4,523,681 A * 6/1985 Kreeger B65D 21/041
206/507
- 4,577,759 A * 3/1986 Kreeger B65D 21/041
206/505
- D383,339 S * 9/1997 Grosfillex D6/705.7
- 5,722,544 A * 3/1998 Williams A47B 87/008
108/107
- D469,255 S * 1/2003 Hammett B65D 1/22
D3/314
- D531,379 S * 10/2006 Piner D99/29

- D557,011 S * 12/2007 Fernandez D3/307
- D615,777 S * 5/2010 Lee D6/675.1
- D637,022 S * 5/2011 Noble Colin D6/705.7
- D701,408 S * 3/2014 Mason D6/705.7
- D727,791 S * 4/2015 Montagano D11/155
- D754,458 S * 4/2016 Mason D6/675.1
- D759,998 S * 6/2016 Mason D6/675.1
- D770,232 S * 11/2016 Brown D7/554.3
- D775,883 S * 1/2017 Mason D6/705

(Continued)

Primary Examiner — Kelley Donnelly

(74) *Attorney, Agent, or Firm* — Krista Y. Chan; Colin P. Cahoon; Carstens & Cahoon, LLP

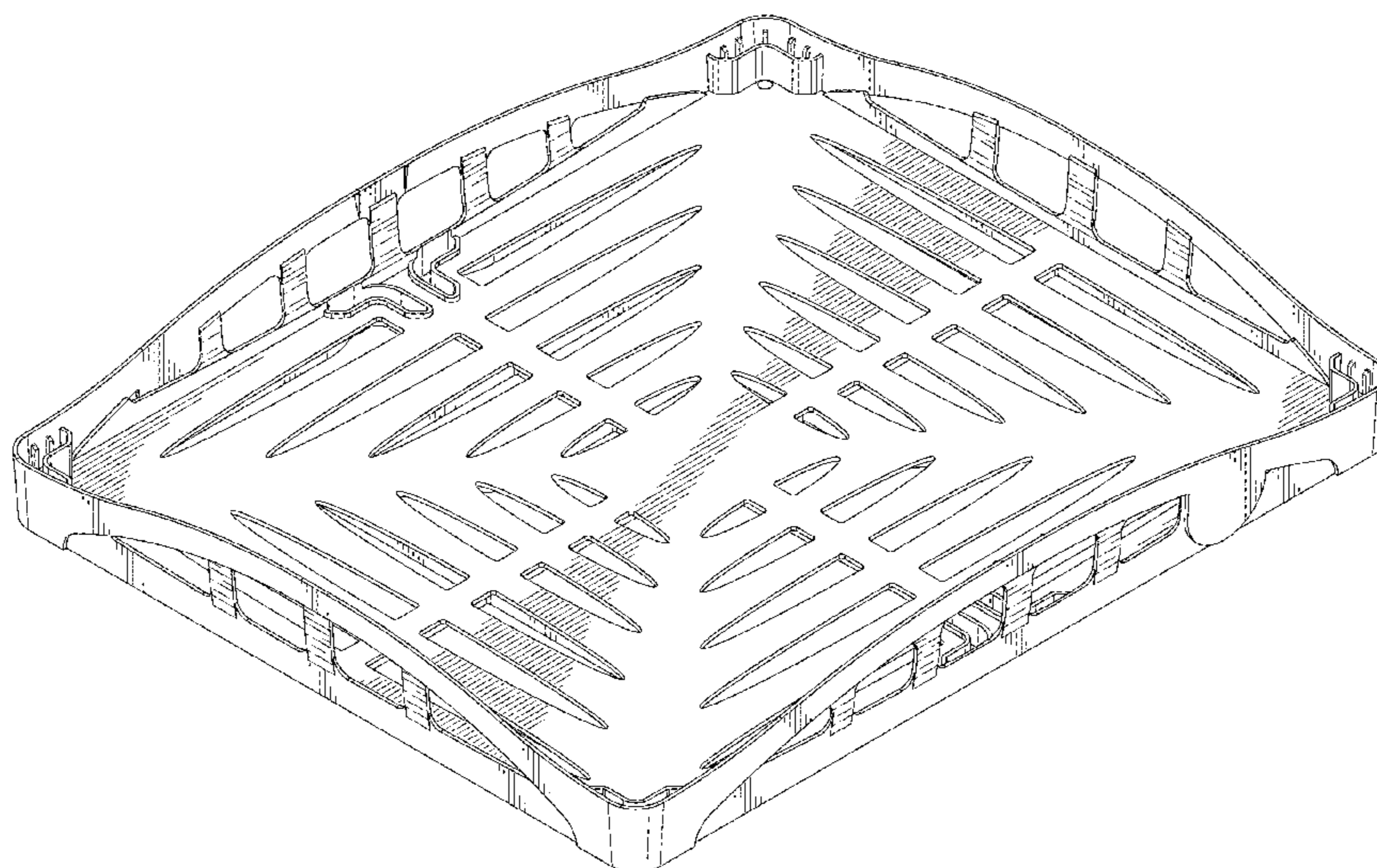
(57) **CLAIM**

The ornamental design for a modular food product display stand tray, as shown and described.

DESCRIPTION

FIG. 1 is a top perspective view of a modular food product display stand tray;
 FIG. 2 is a right side view of a modular food product display stand tray;
 FIG. 3 is a left side view of a modular food product display stand tray;
 FIG. 4 is a back view of a modular food product display stand tray;
 FIG. 5 is a front view of a modular food product display stand tray;
 FIG. 6 is a top view of a modular food product display stand tray;
 FIG. 7 is a bottom view of a modular food product display stand tray;
 FIG. 8 is a bottom perspective view of a modular food product display stand tray; and,
 FIG. 9 is a top perspective view of a modular food product display stand tray, shown with environment.
 The broken line showing of the environment is for illustrative purposes only and forms no part of the claimed design.

1 Claim, 7 Drawing Sheets



(56)

References Cited

U.S. PATENT DOCUMENTS

D782,382 S * 3/2017 Jaimes D12/203
2003/0183549 A1* 10/2003 Verna B65D 21/045
206/509
2005/0183980 A1* 8/2005 Fernandez B65D 1/34
206/509
2006/0070906 A1* 4/2006 Verna B65D 21/041
206/509
2008/0128319 A1* 6/2008 Noble Colin A47B 57/20
206/745

* cited by examiner

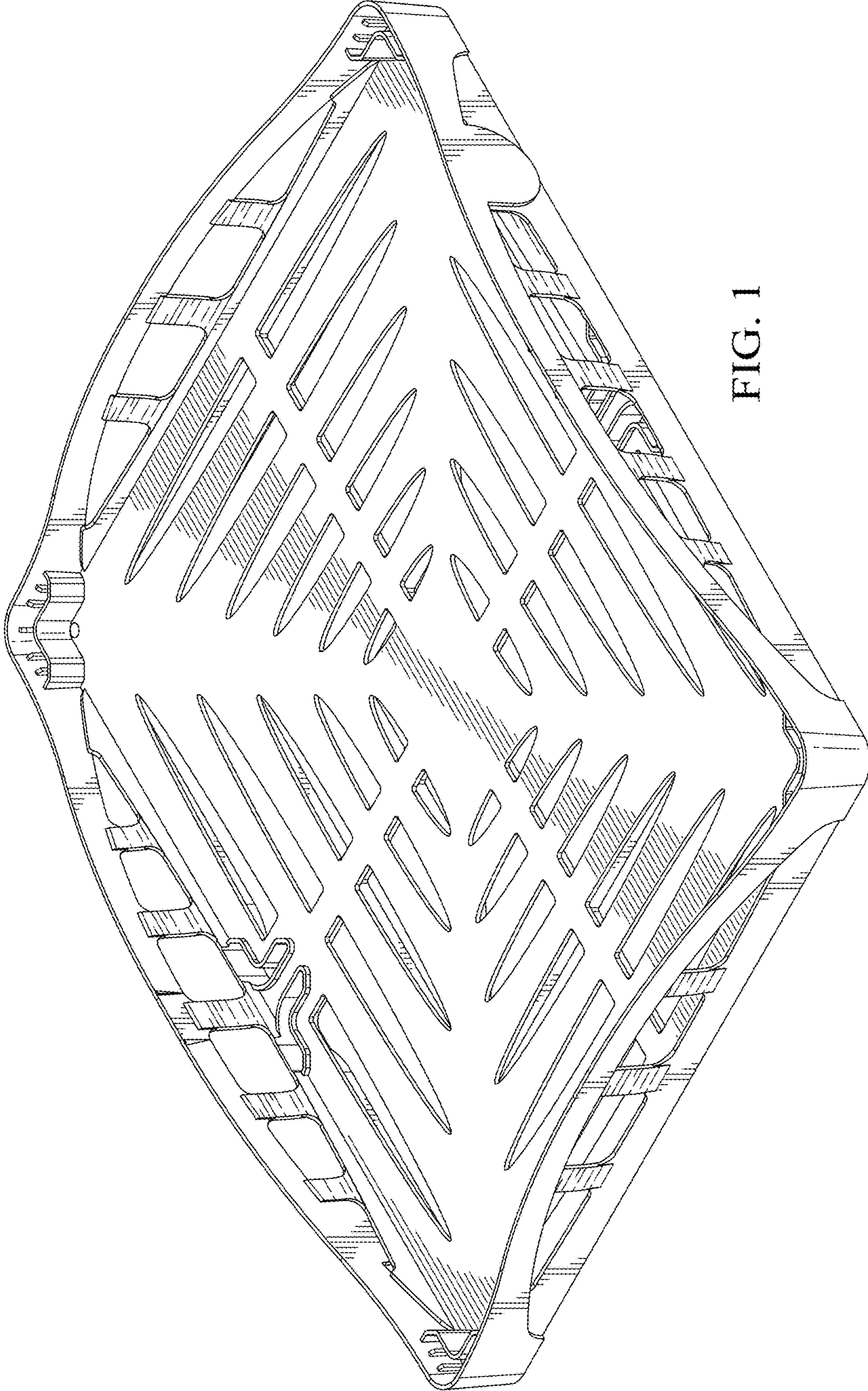


FIG. 1

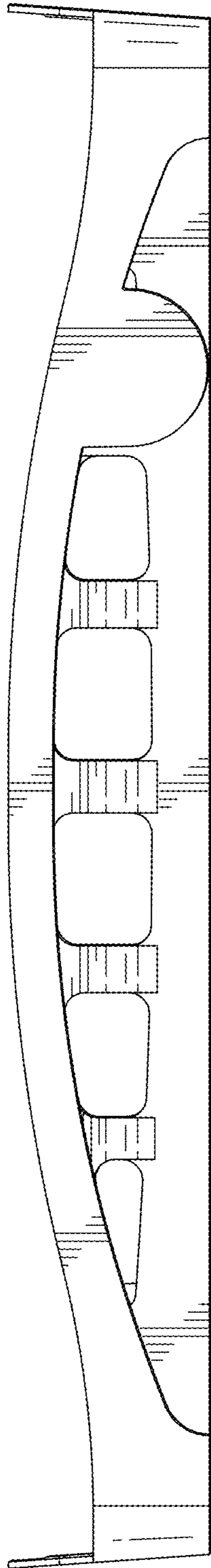


FIG. 2

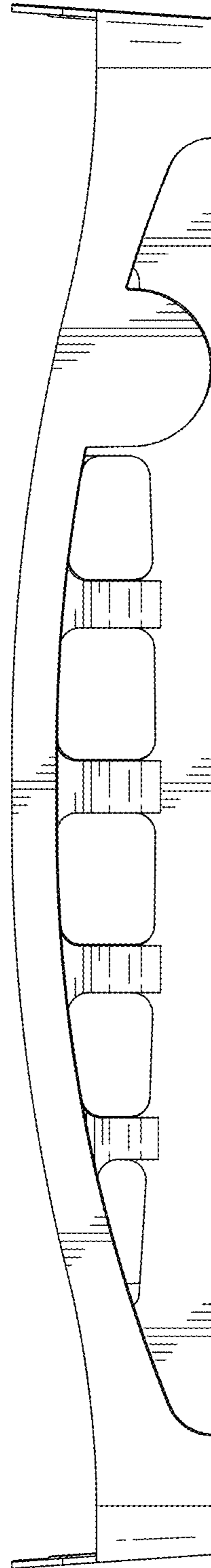


FIG. 3

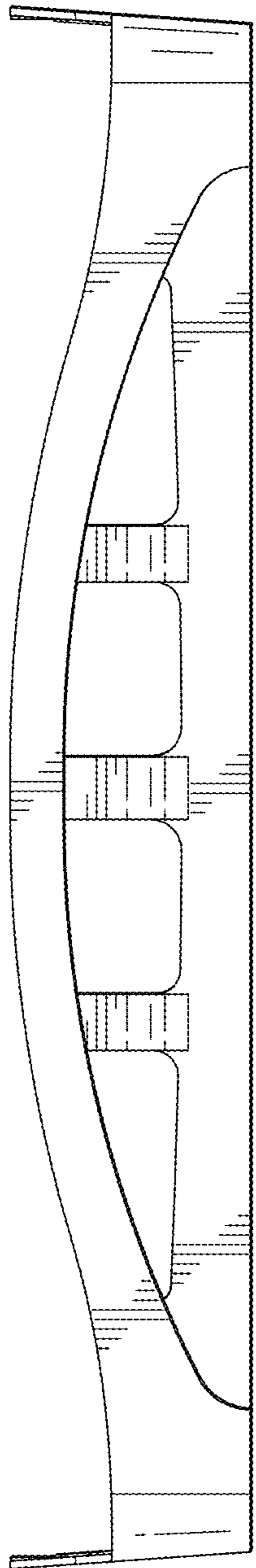


FIG. 4

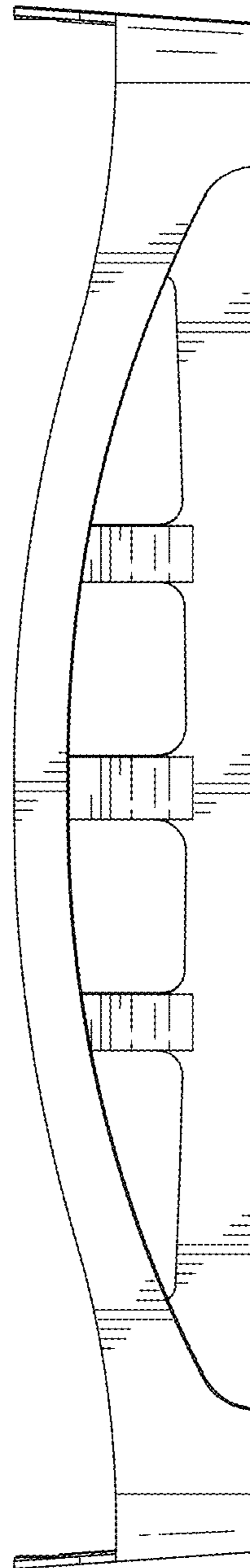


FIG. 5

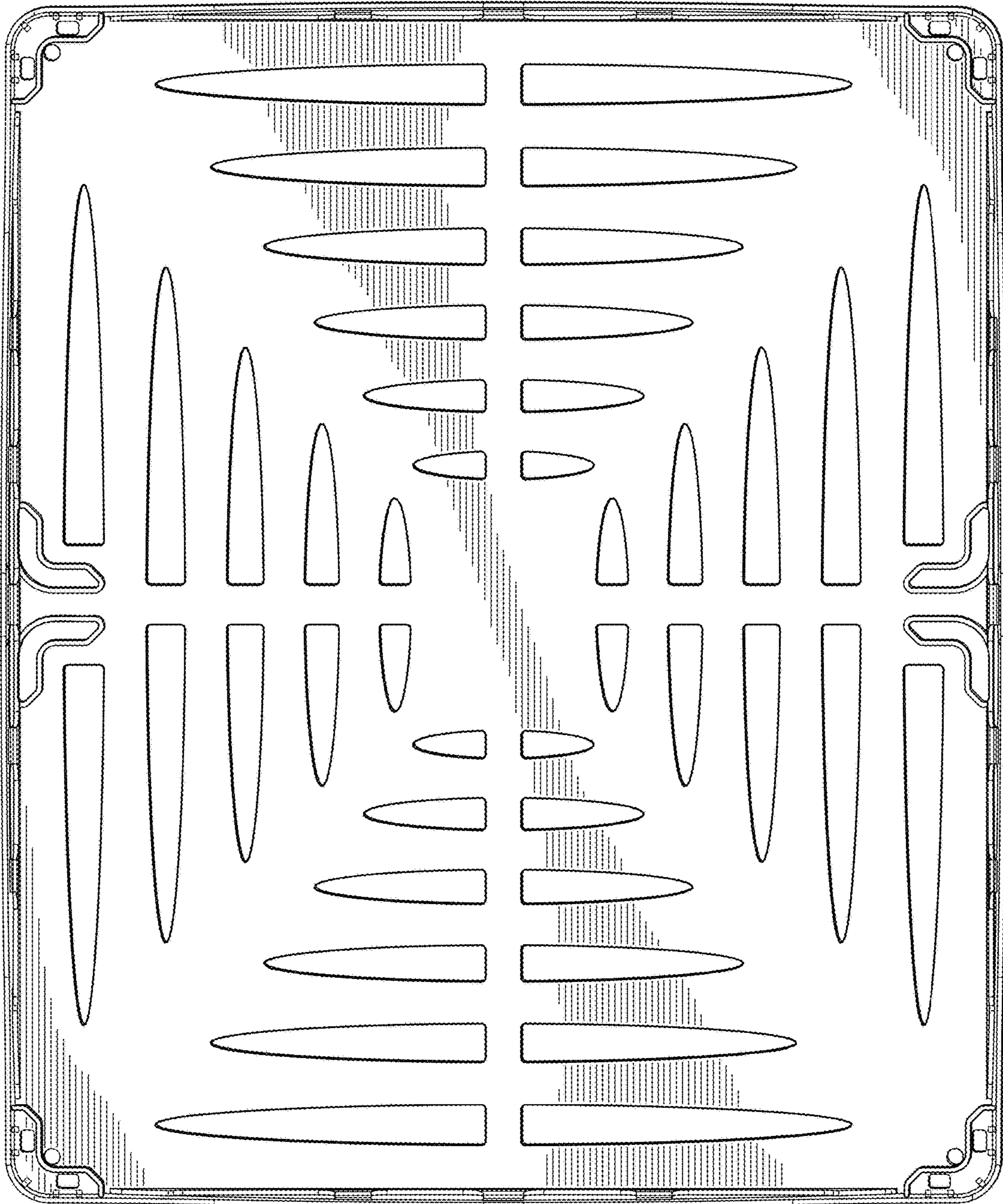
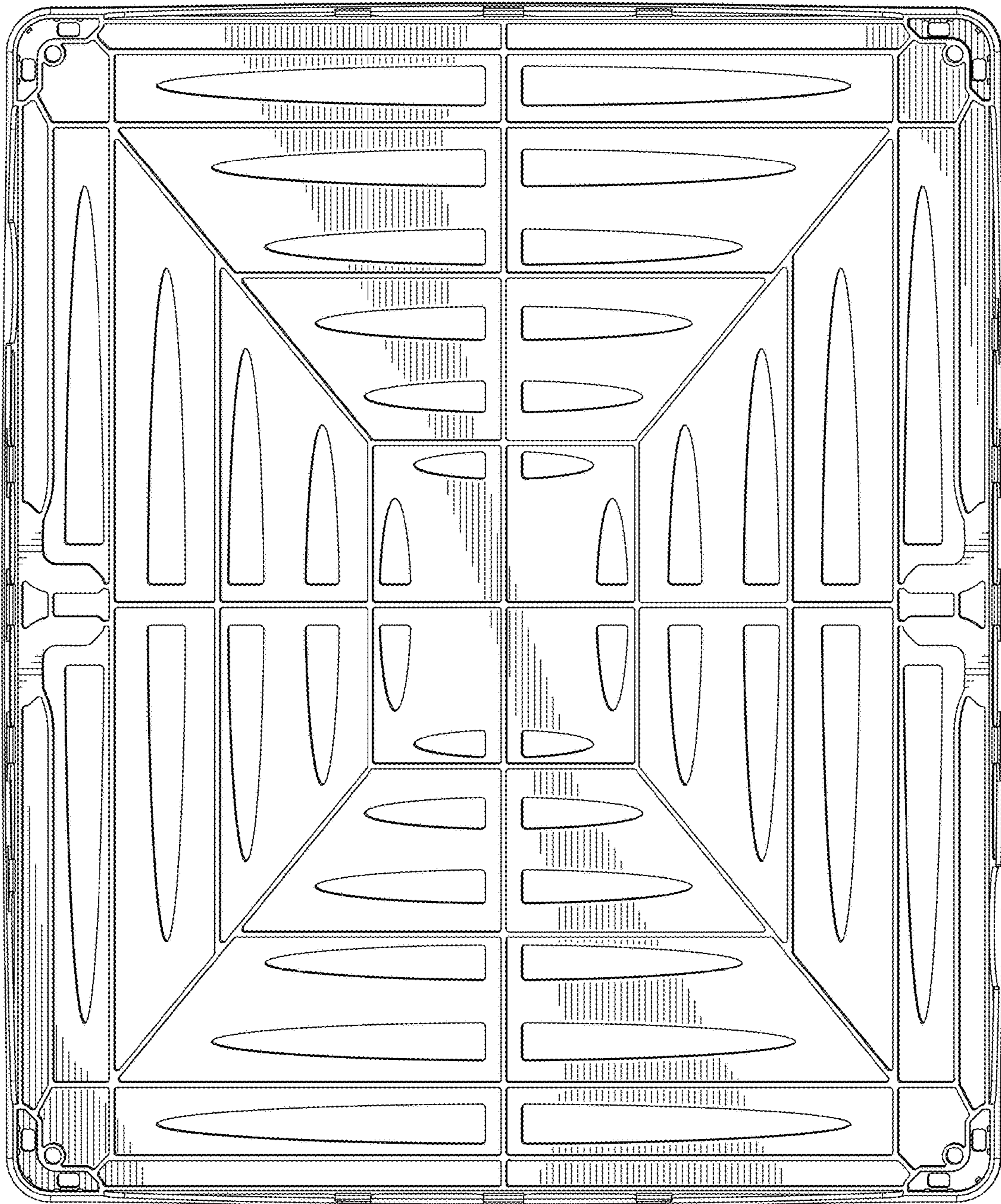


FIG. 6

FIG. 7



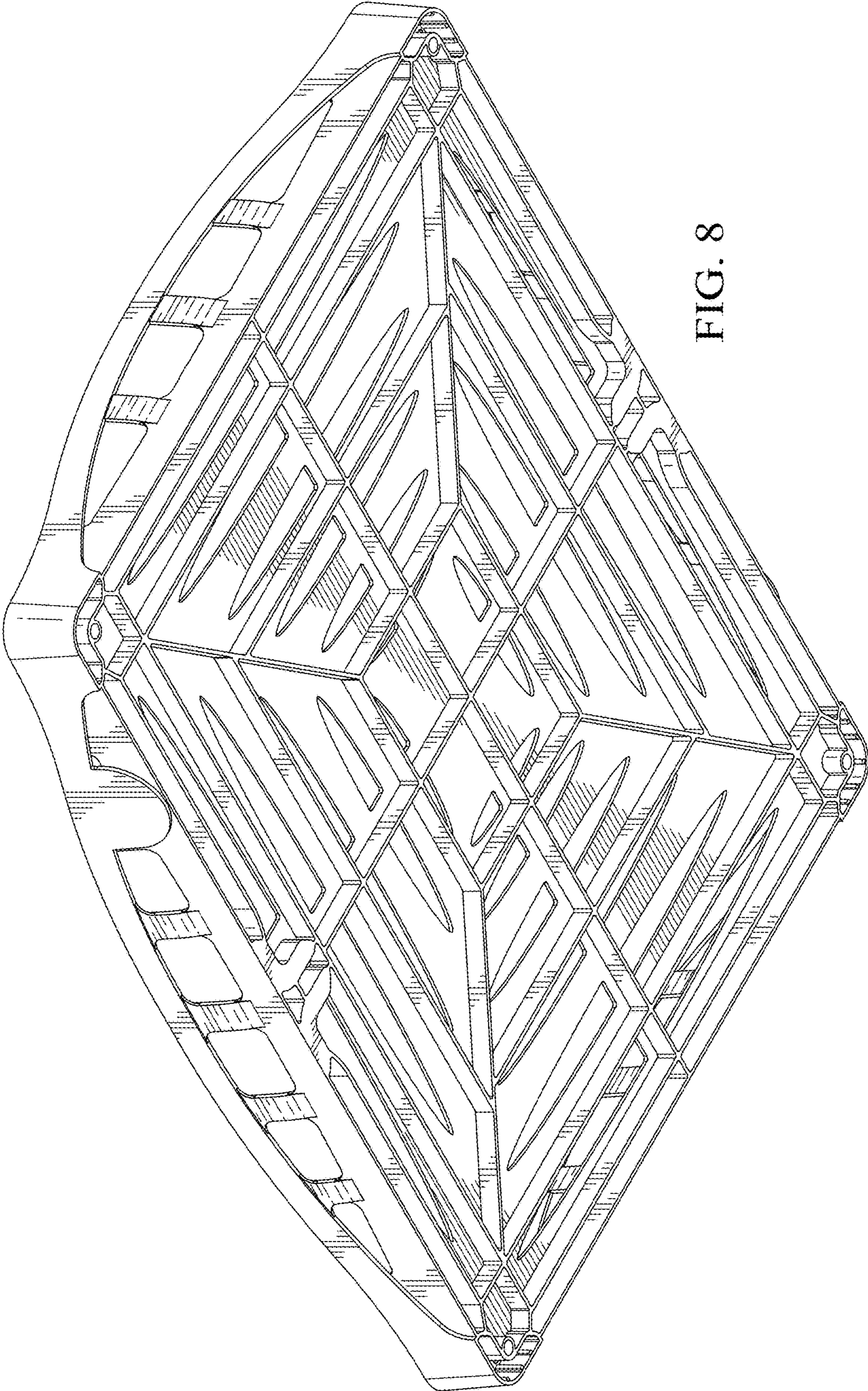


FIG. 8

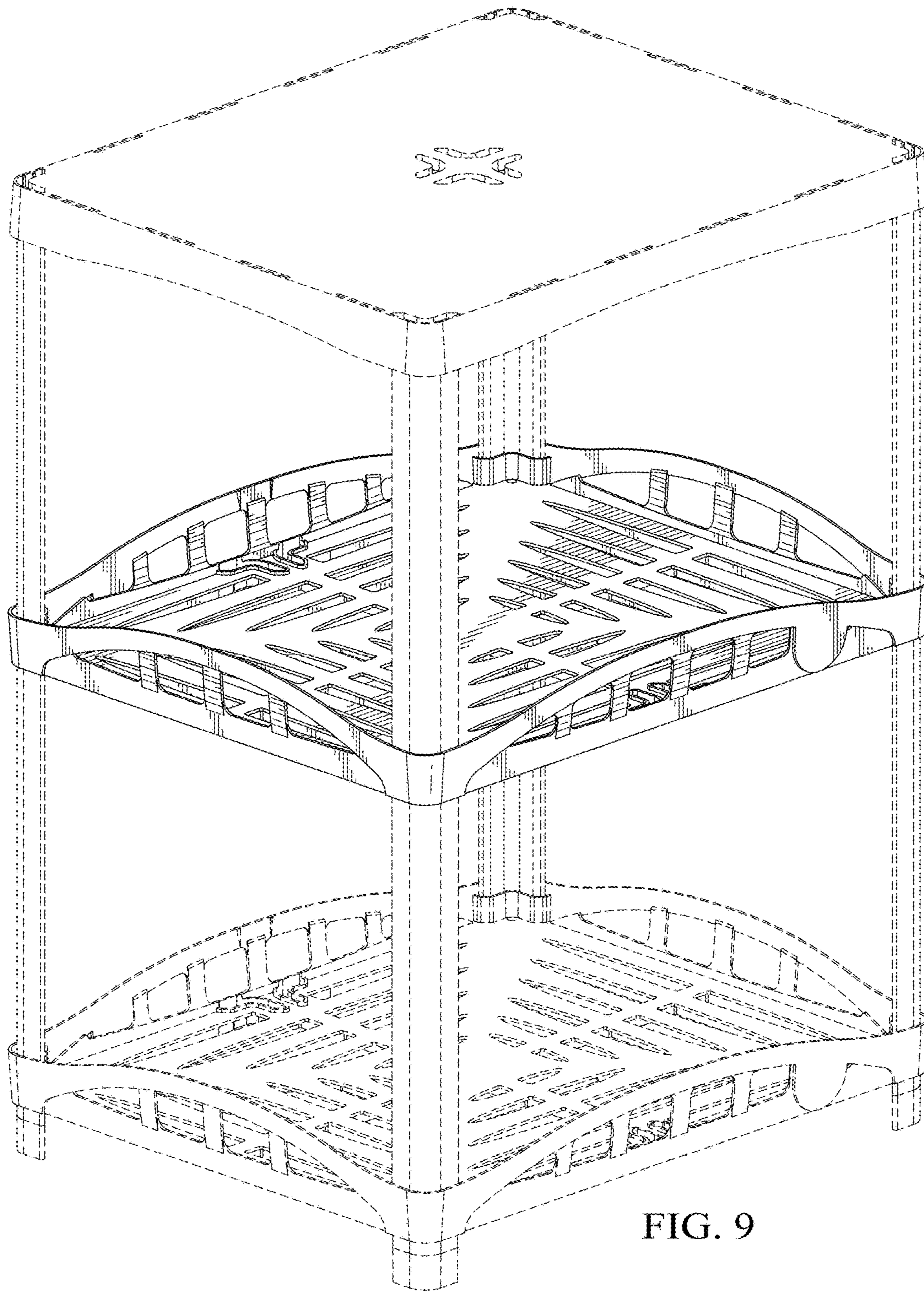


FIG. 9