



US00D802963S

(12) **United States Design Patent** (10) **Patent No.:** **US D802,963 S**  
**Erebia** (45) **Date of Patent:** **\*\* Nov. 21, 2017**

(54) **DISPLAY APPARATUS**  
(71) Applicant: **HOME DEPOT PRODUCT AUTHORITY, LLC**, Atlanta, GA (US)  
(72) Inventor: **David Erebia**, Hidalgo, TX (US)  
(73) Assignee: **Home Depot Product Authority, LLC**, Atlanta, GA (US)  
(\*\*) Term: **14 Years**

D313,720 S \* 1/1991 Sorenson ..... D6/562  
D331,345 S \* 12/1992 Carlin ..... D19/91  
5,411,145 A \* 5/1995 Parks ..... B42F 7/10  
211/50  
D361,846 S \* 8/1995 Te’Kannon ..... D25/102  
D376,915 S \* 12/1996 van Quach ..... D6/300  
D423,794 S \* 5/2000 Brownfield ..... D6/300  
6,398,151 B1 \* 6/2002 Tam ..... A47K 10/38  
242/422.5  
D545,242 S \* 6/2007 Poteet ..... D11/132  
D656,007 S \* 3/2012 Swoish ..... D8/403  
D729,116 S \* 5/2015 Riccobono ..... D11/165  
2013/0056430 A1 \* 3/2013 Kim ..... A47G 21/16  
211/50

(21) Appl. No.: **29/519,914**  
(22) Filed: **Mar. 9, 2015**  
(51) **LOC (10) Cl.** ..... **06-04**  
(52) **U.S. Cl.**  
USPC ..... **D6/574; D6/672**  
(58) **Field of Classification Search**  
USPC ..... D6/574, 553, 300–302, 567, 569–572;  
D11/131, 132, 184; 211/13.1, 41.12,  
211/41.13, 41.14, 44, 70.1, 86.01, 87.01,  
211/89.01; 40/609–610, 661; 248/27.1,  
248/441.1, 444.1, 447.1, 447, 451, 466,  
248/475.1, 488, 200, 201, 205.1, 300,  
248/309.1, 317  
CPC ..... B29C 51/00; B29C 51/10; B29C 51/422;  
B29C 51/425; B29C 51/426  
See application file for complete search history.

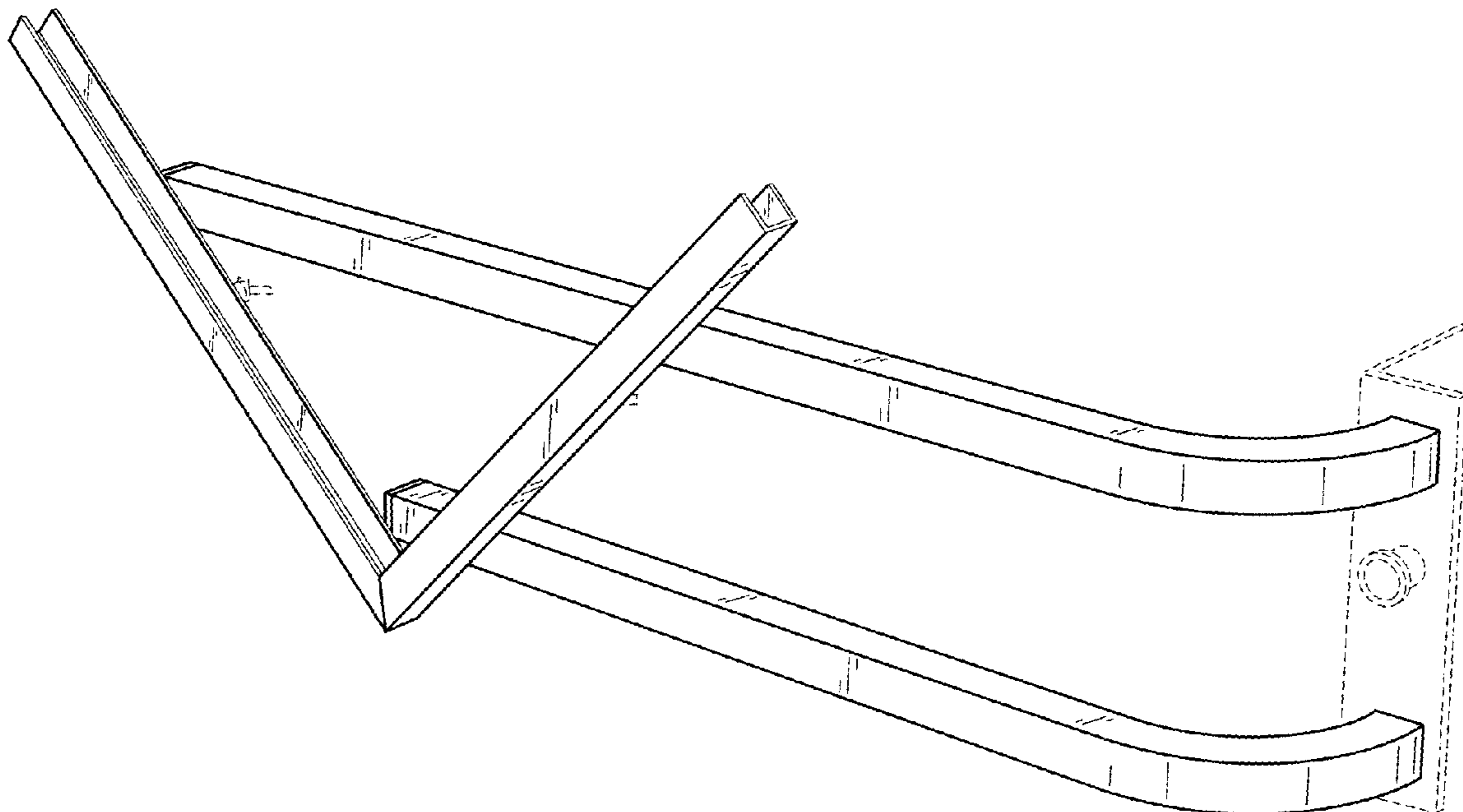
(56) **References Cited**  
U.S. PATENT DOCUMENTS  
4,454,950 A \* 6/1984 Stefanelli ..... A47B 43/00  
211/195  
4,718,562 A \* 1/1988 Winkler, Jr. .... A47F 7/22  
211/113

\* cited by examiner  
*Primary Examiner* — David Muller  
*Assistant Examiner* — Nathan Johnston  
(74) *Attorney, Agent, or Firm* — Greenberg Traurig, LLP

(57) **CLAIM**  
The ornamental design for a display apparatus, as shown and described.

**DESCRIPTION**  
FIG. 1 is a perspective view of a display apparatus showing my new design;  
FIG. 2 is a front elevation view thereof;  
FIG. 3 is a rear elevation view thereof;  
FIG. 4 is a left side elevation view thereof;  
FIG. 5 is a right side elevation view thereof;  
FIG. 6 is a top plan view thereof; and,  
FIG. 7 is a bottom plan view thereof.  
The broken lines show portions of the design that form no part of the claimed design.

**1 Claim, 7 Drawing Sheets**



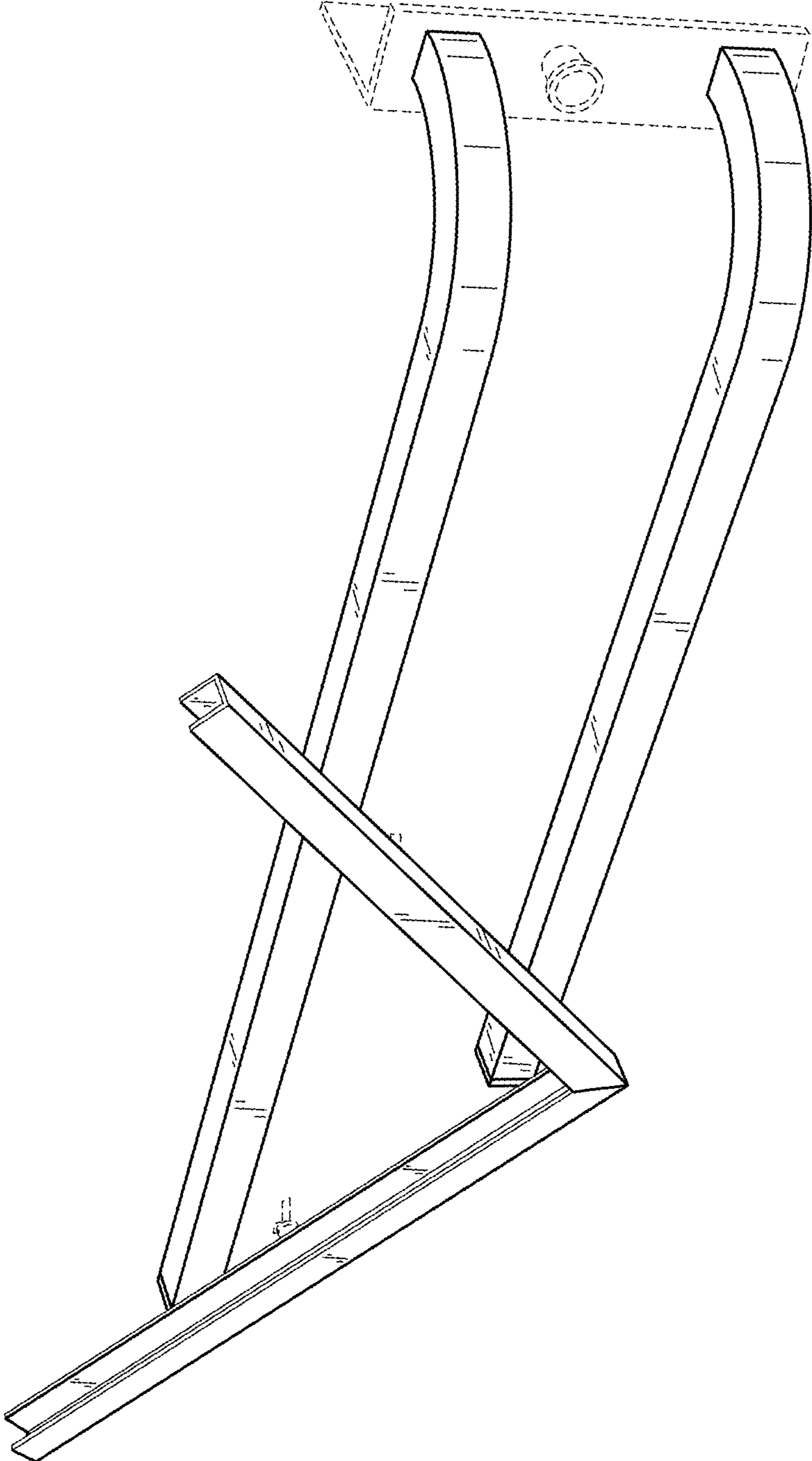


FIG. 1

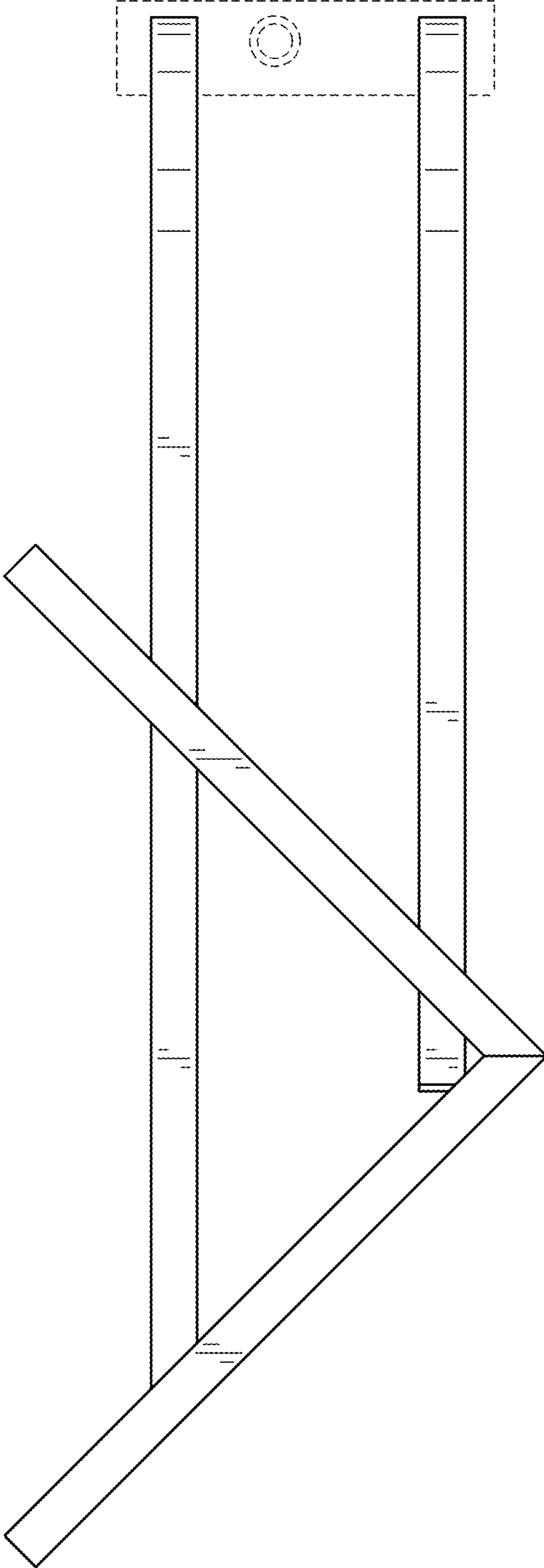


FIG. 2

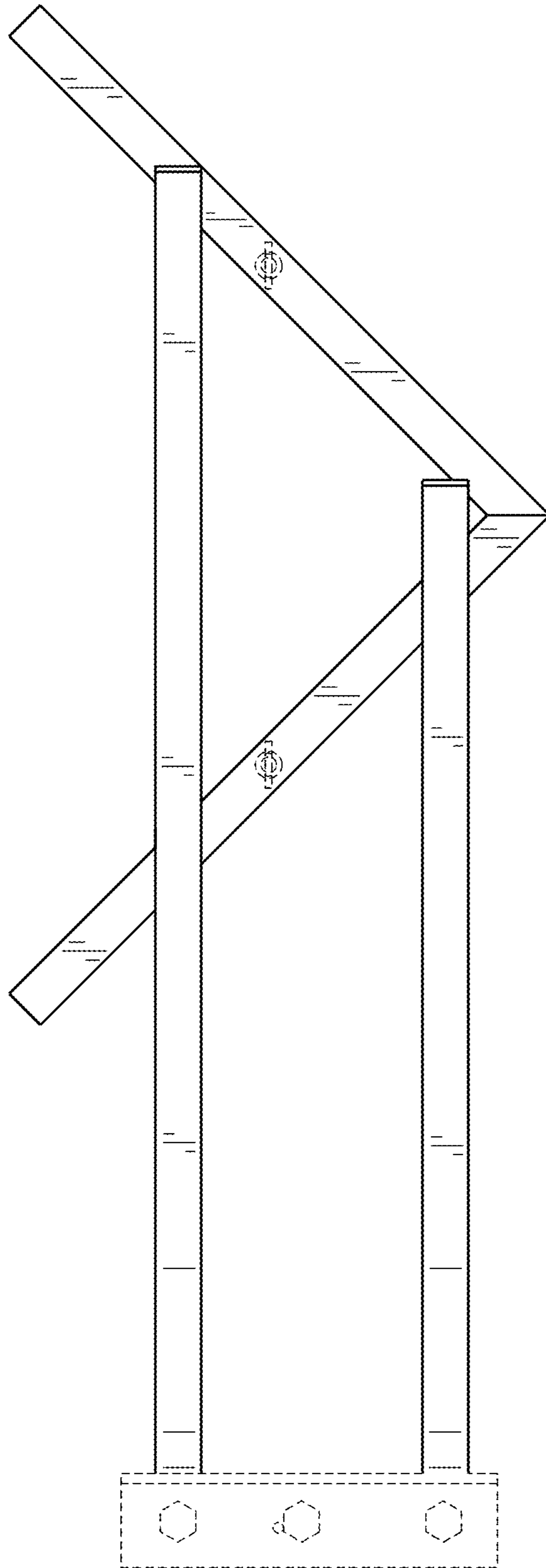


FIG. 3

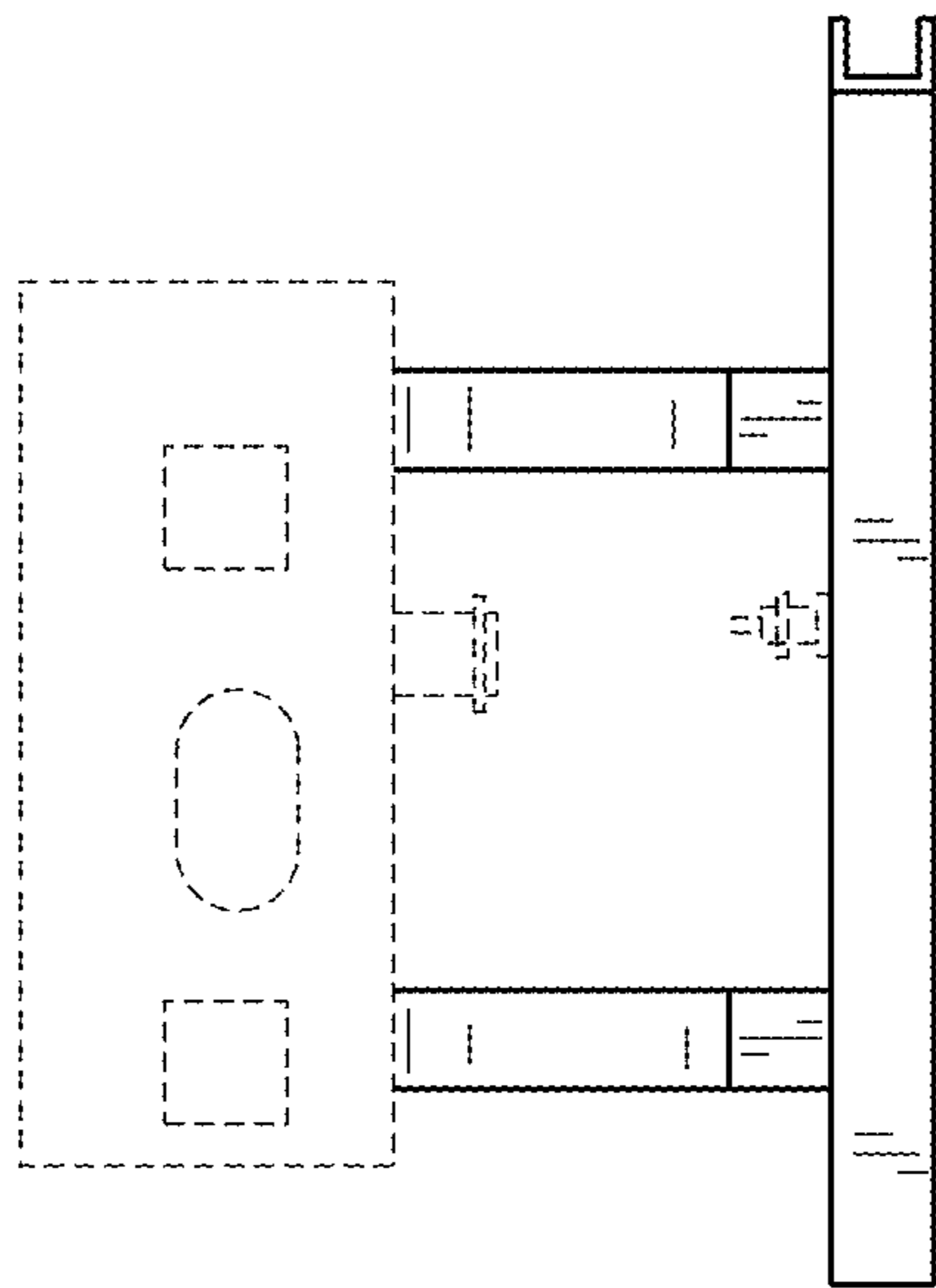


FIG. 4

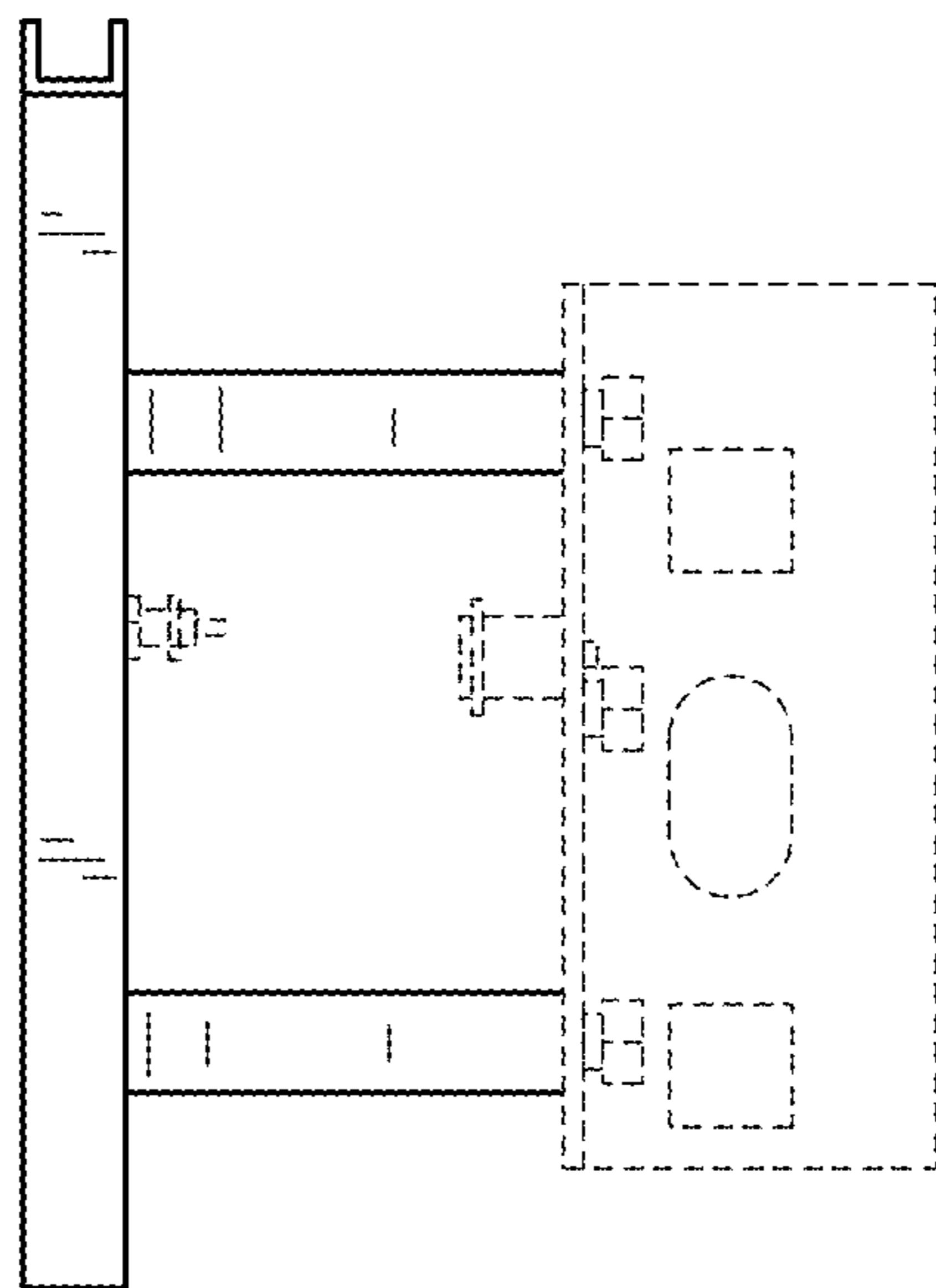


FIG. 5

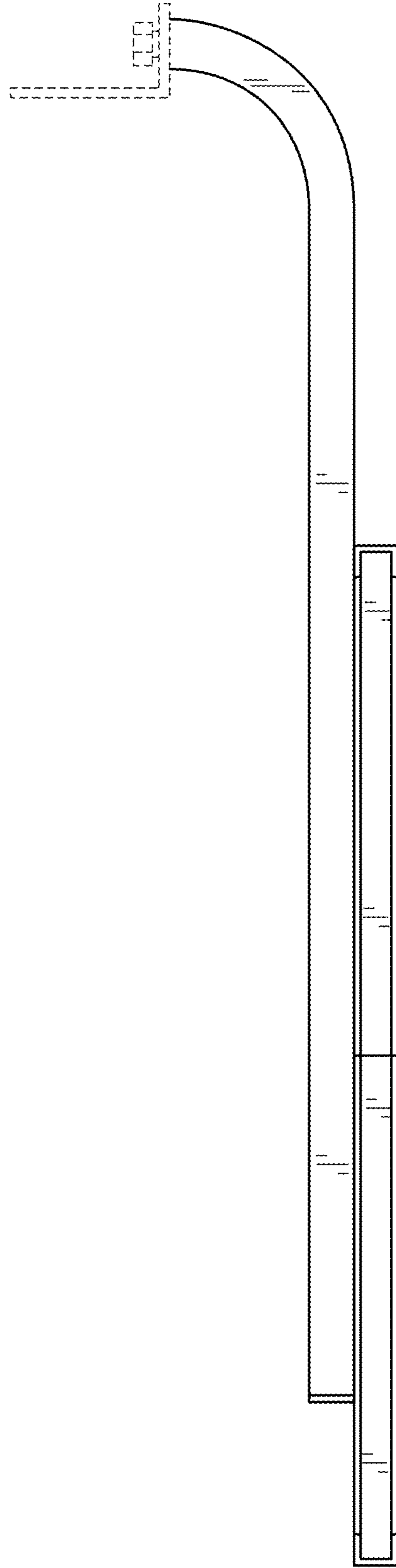


FIG. 6

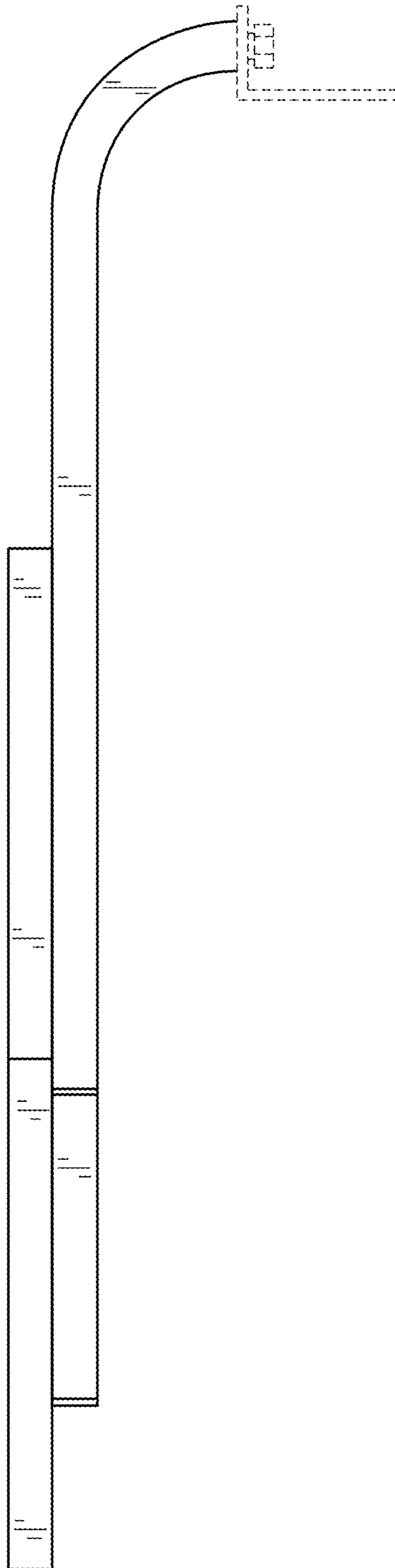


FIG. 7