



US00D802961S

(12) **United States Design Patent** (10) **Patent No.:** **US D802,961 S**  
**Okuno-Jones et al.** (45) **Date of Patent:** **\*\* Nov. 21, 2017**

(54) **SINK MOUNTED DUAL DISPENSER**  
(71) Applicants: **Susan K. Okuno-Jones**, Buffalo Grove, IL (US); **Jon M. Jones**, Buffalo Grove, IL (US)  
(72) Inventors: **Susan K. Okuno-Jones**, Buffalo Grove, IL (US); **Jon M. Jones**, Buffalo Grove, IL (US)

D458,136 S \* 6/2002 Bakic ..... D9/448  
D458,539 S \* 6/2002 Bakic ..... D9/448  
D587,577 S \* 3/2009 Ribera Turro ..... D9/448  
D662,742 S \* 7/2012 DelGigante ..... D6/542  
D663,983 S \* 7/2012 Yang ..... D6/542  
D681,475 S \* 5/2013 Park ..... D9/682  
D683,631 S \* 6/2013 Crawford ..... D9/682  
D688,561 S \* 8/2013 Bunce ..... D9/682  
D718,132 S \* 11/2014 Leventhal ..... D9/448

\* cited by examiner

(\*\*) Term: **15 Years**

*Primary Examiner* — David G Muller

*Assistant Examiner* — Nathan M Johnston

(21) Appl. No.: **29/547,927**

(74) *Attorney, Agent, or Firm* — Dale J. Ream

(22) Filed: **Dec. 9, 2015**

(51) **LOC (10) Cl.** ..... **09-07**

(57) **CLAIM**

(52) **U.S. Cl.**  
USPC ..... **D6/542**

The ornamental design for a sink mounted dual dispenser, as shown and described.

(58) **Field of Classification Search**  
USPC ..... D6/542–545; 221/280, 282, 283;  
222/555, 557, 402, 13, 281, 181.2,  
222/181.36, 397; D7/300.2, 397, 398;  
D9/434–436, 439, 440, 443, 447, 448,  
D9/449, 499, 682, 723; D24/108, 127;  
220/377  
CPC ..... B65D 47/06  
See application file for complete search history.

**DESCRIPTION**

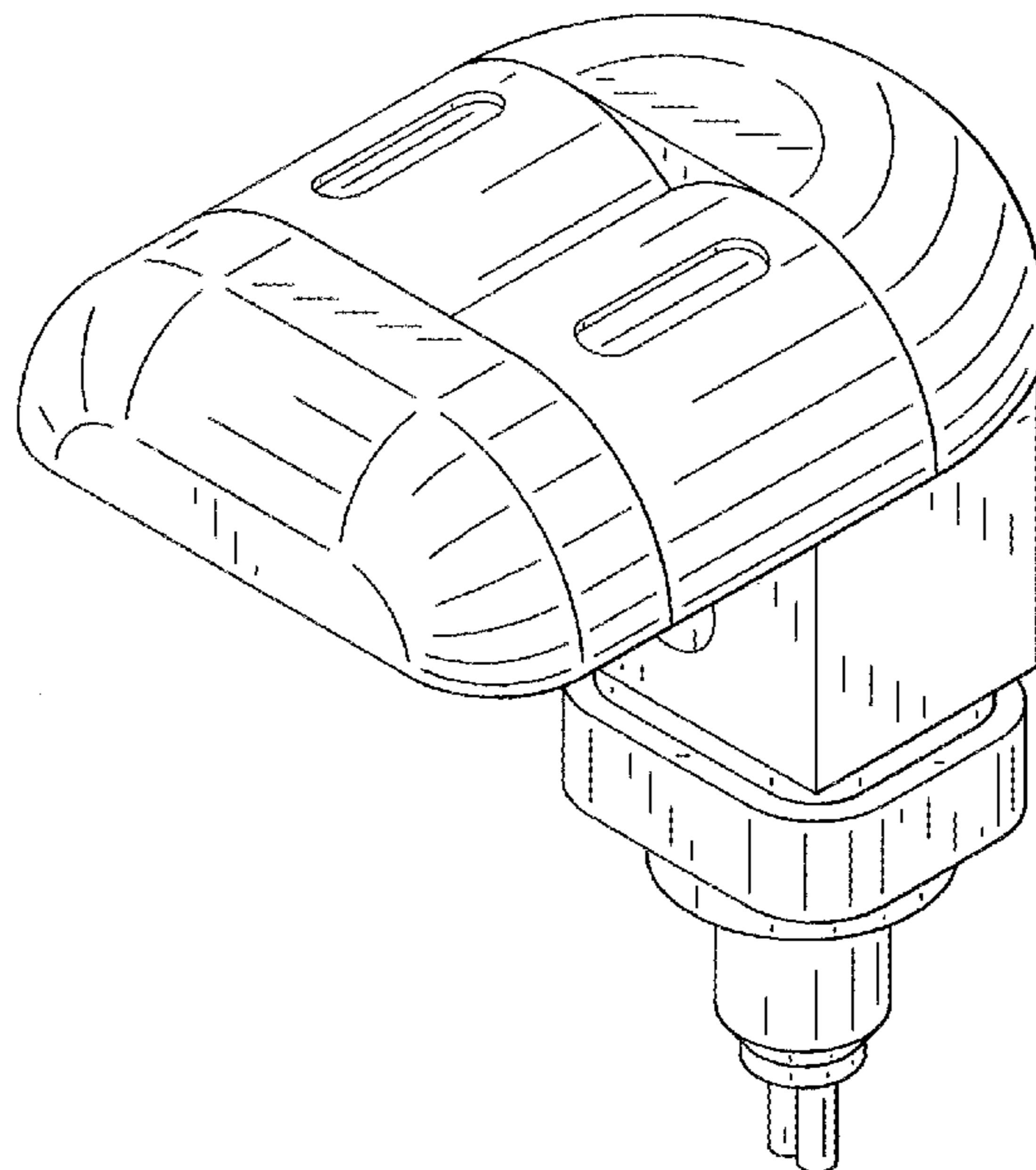
FIG. 1 is a perspective view of a sink mounted dual dispenser showing our new design;  
FIG. 2 is a front elevation view thereof;  
FIG. 3 is a back elevation view thereof;  
FIG. 4 is a right side elevation view thereof;  
FIG. 5 is a left side elevation view thereof;  
FIG. 6 is a top plan view thereof;  
FIG. 7 is a bottom plan view thereof; and,  
FIG. 8 is a perspective view thereof in use.  
In the drawings, the broken lines represent unclaimed environment subject matter and form no part of the claimed design.

(56) **References Cited**

**U.S. PATENT DOCUMENTS**

3,323,695 A \* 6/1967 Monahan ..... B65D 83/206  
222/402.13  
D277,073 S \* 1/1985 Czech ..... D9/447  
D298,014 S \* 10/1988 McGlyn ..... D9/446  
D376,310 S \* 12/1996 Crawford ..... D9/550

**1 Claim, 8 Drawing Sheets**



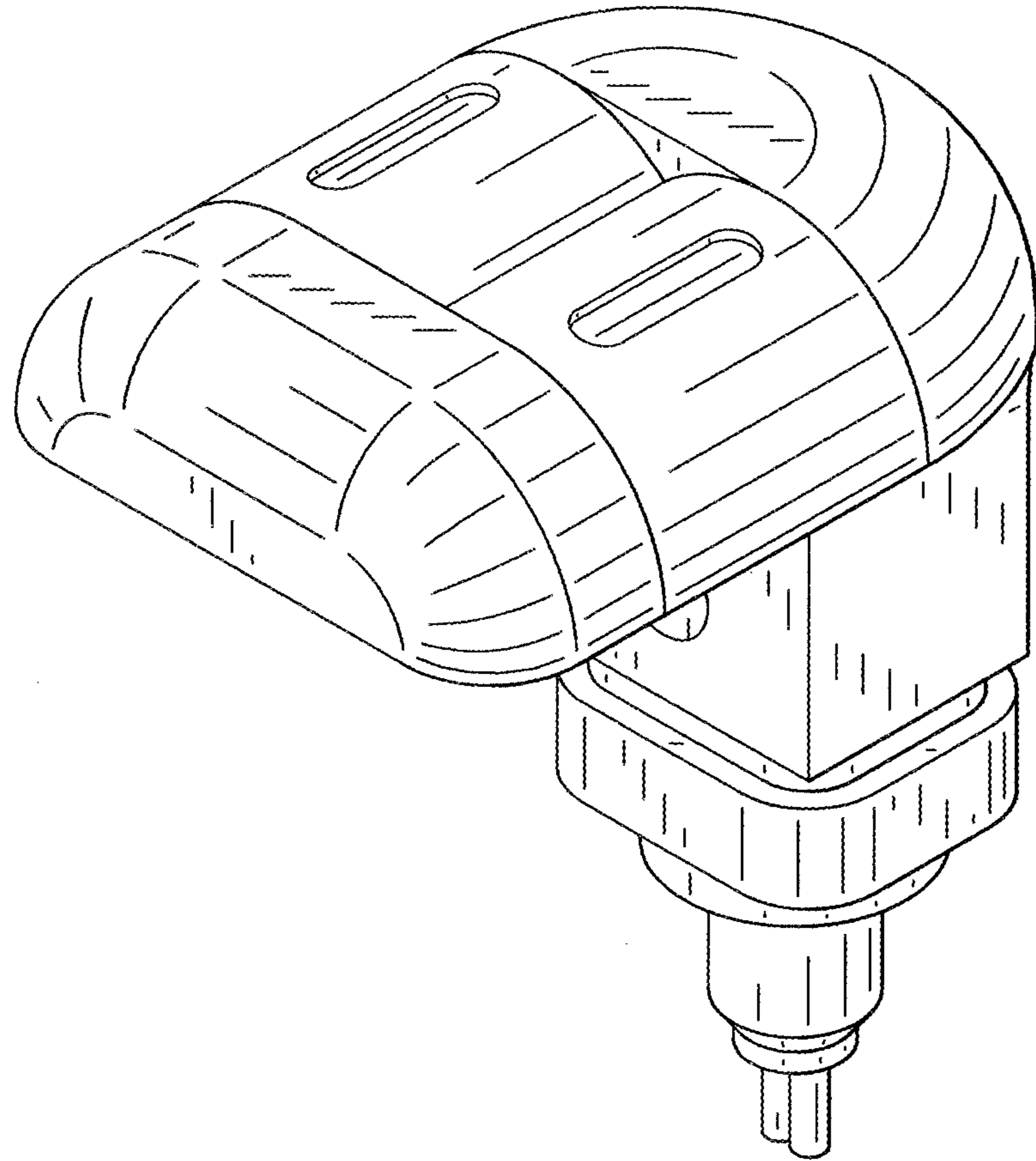


FIG. 1

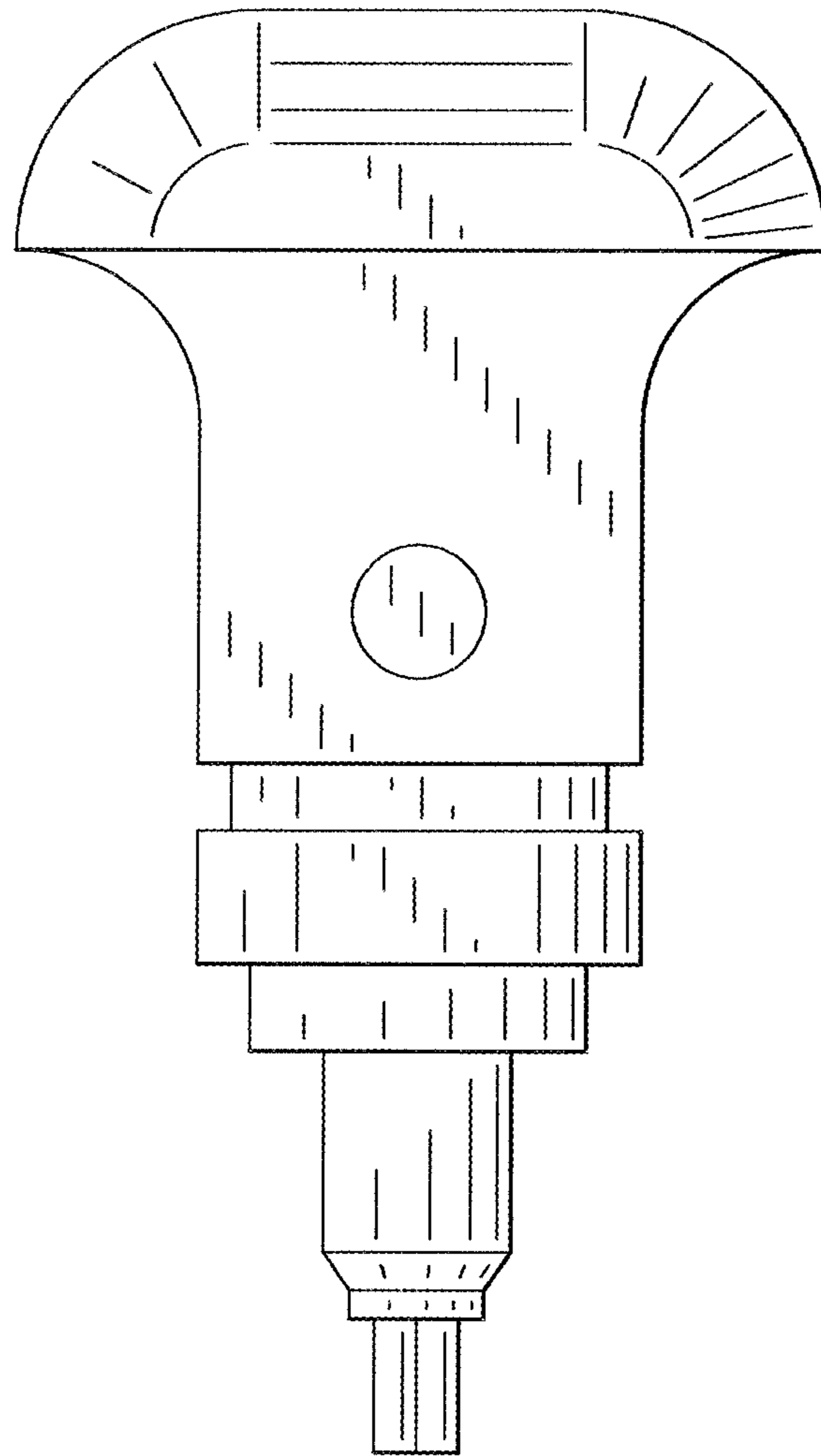


FIG. 2

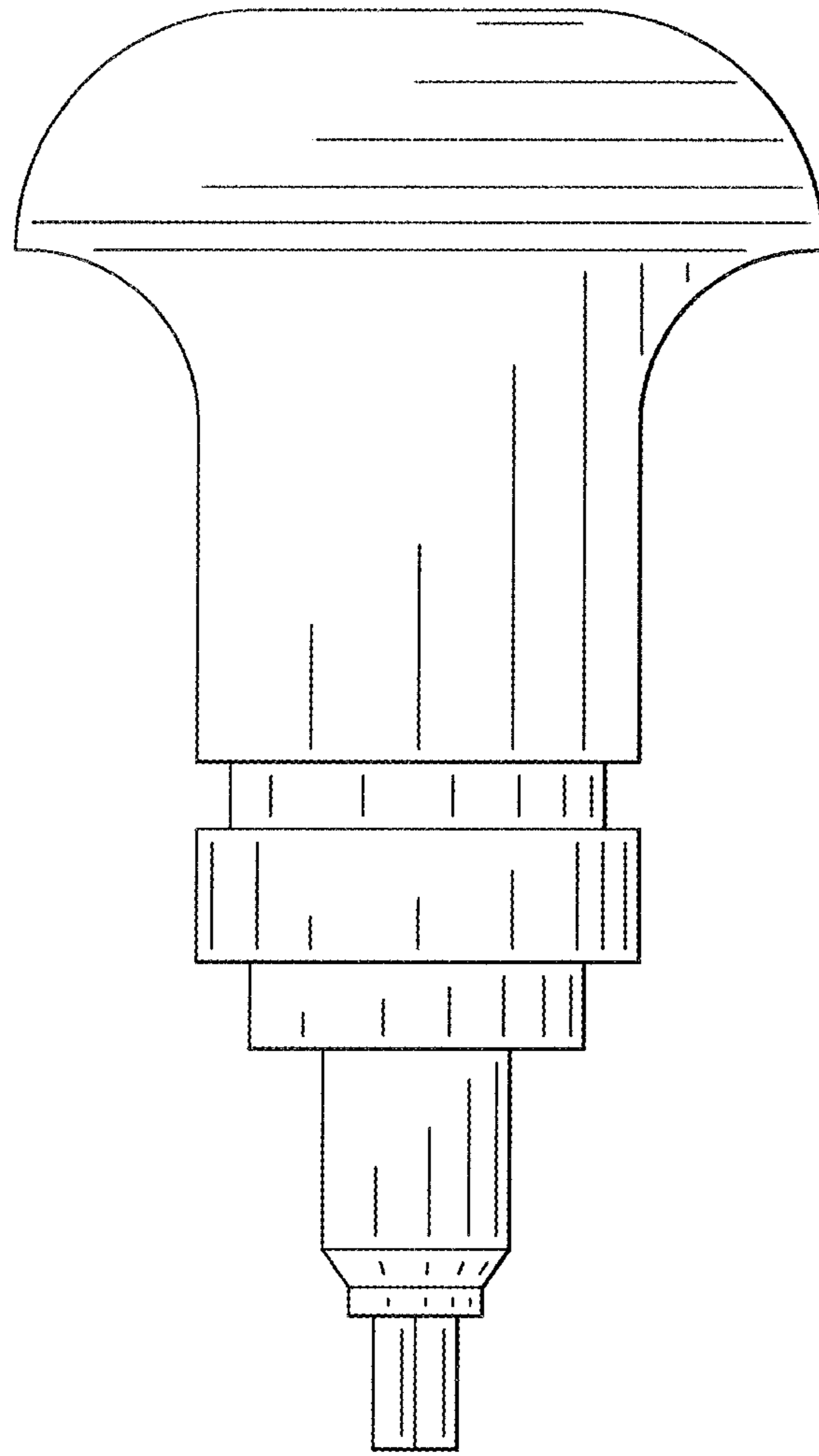


FIG. 3

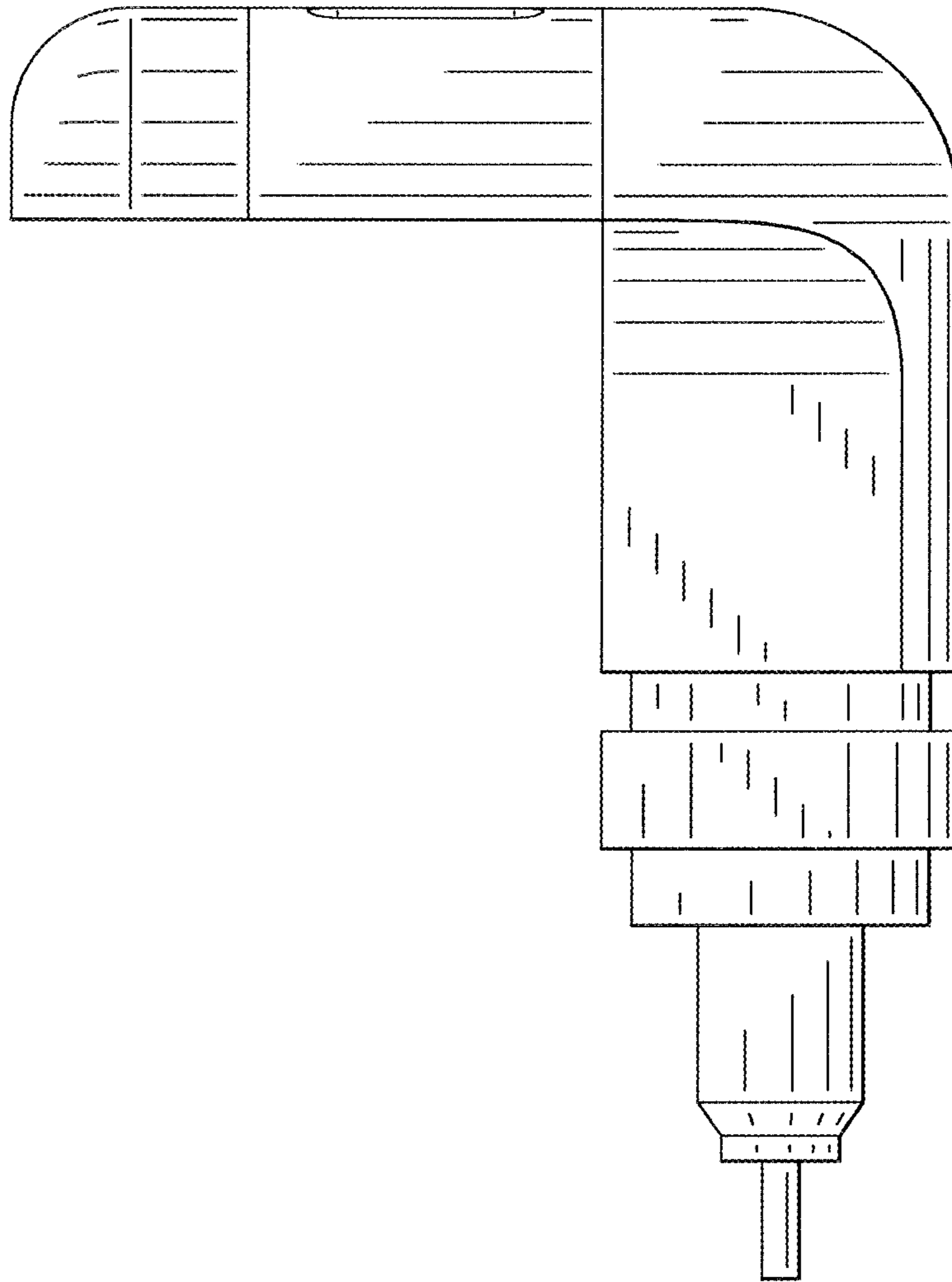


FIG. 4

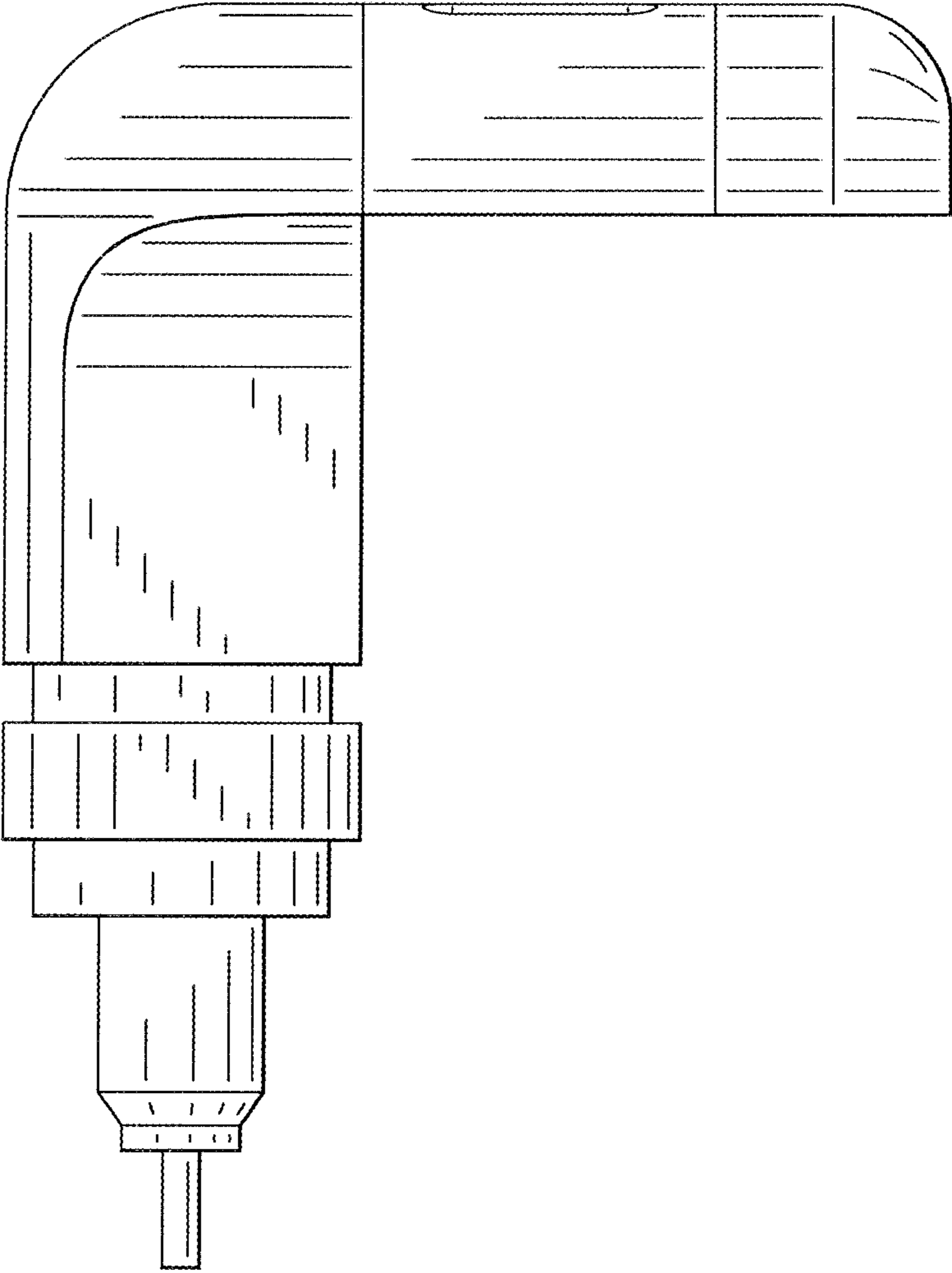


FIG. 5

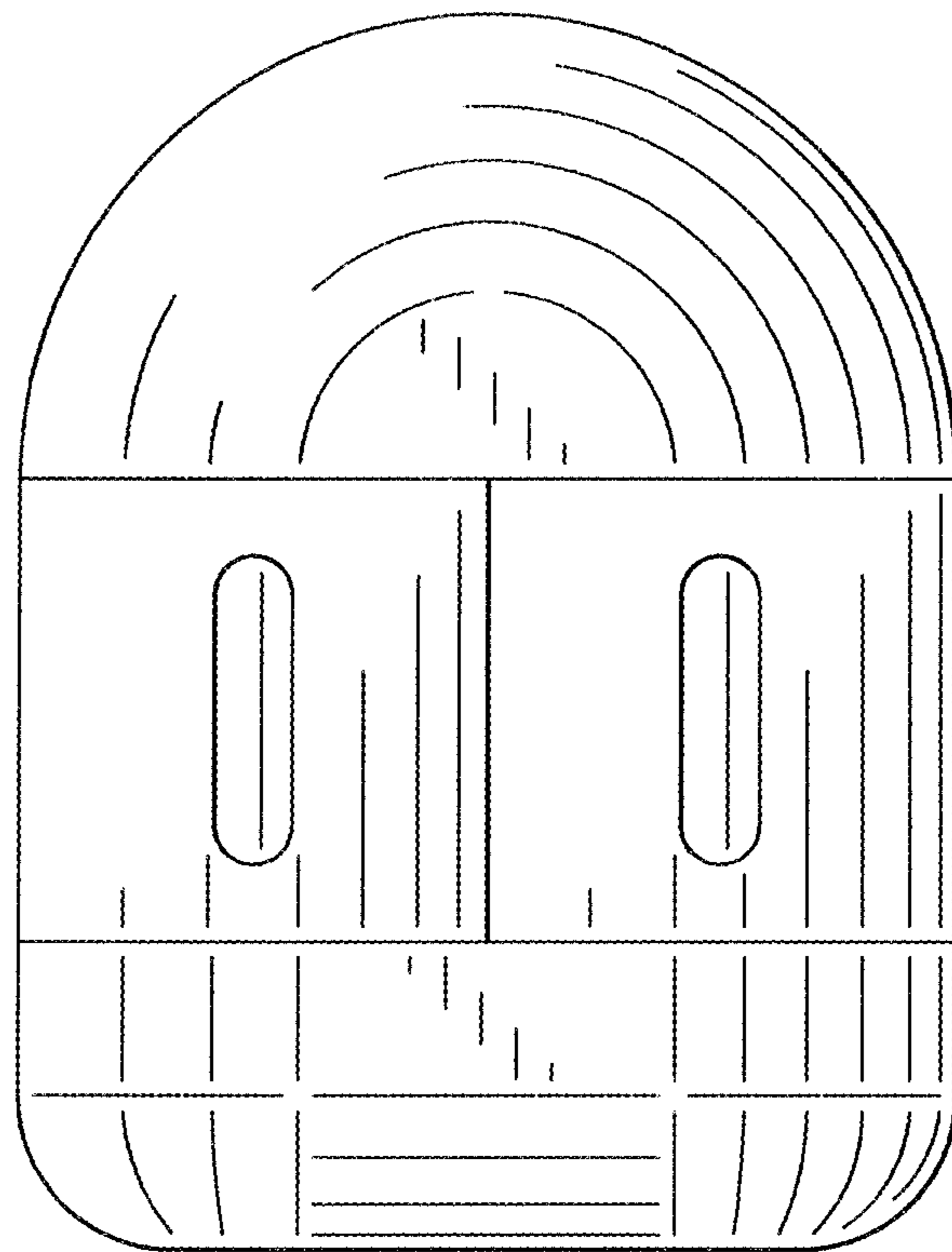


FIG. 6



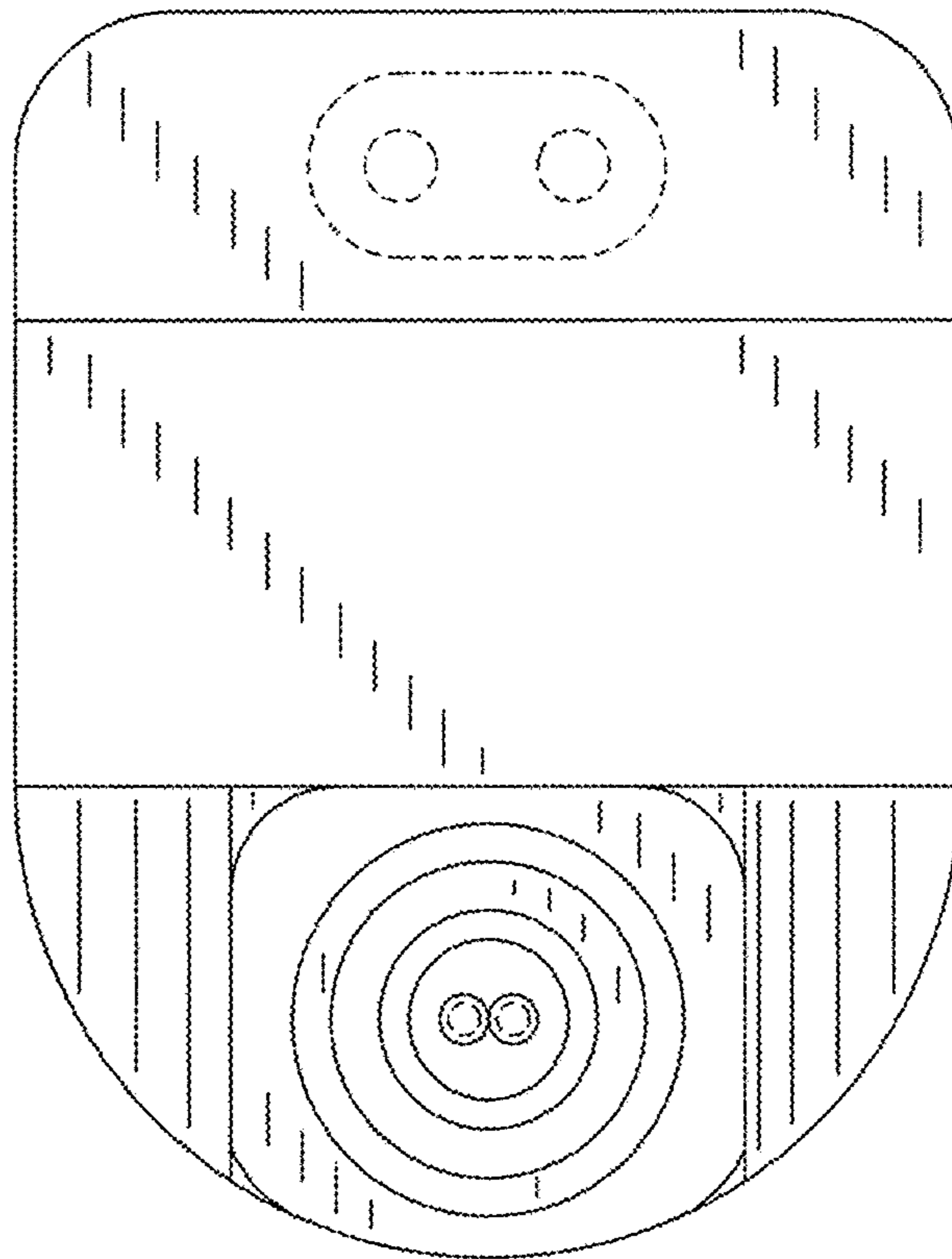


FIG. 7



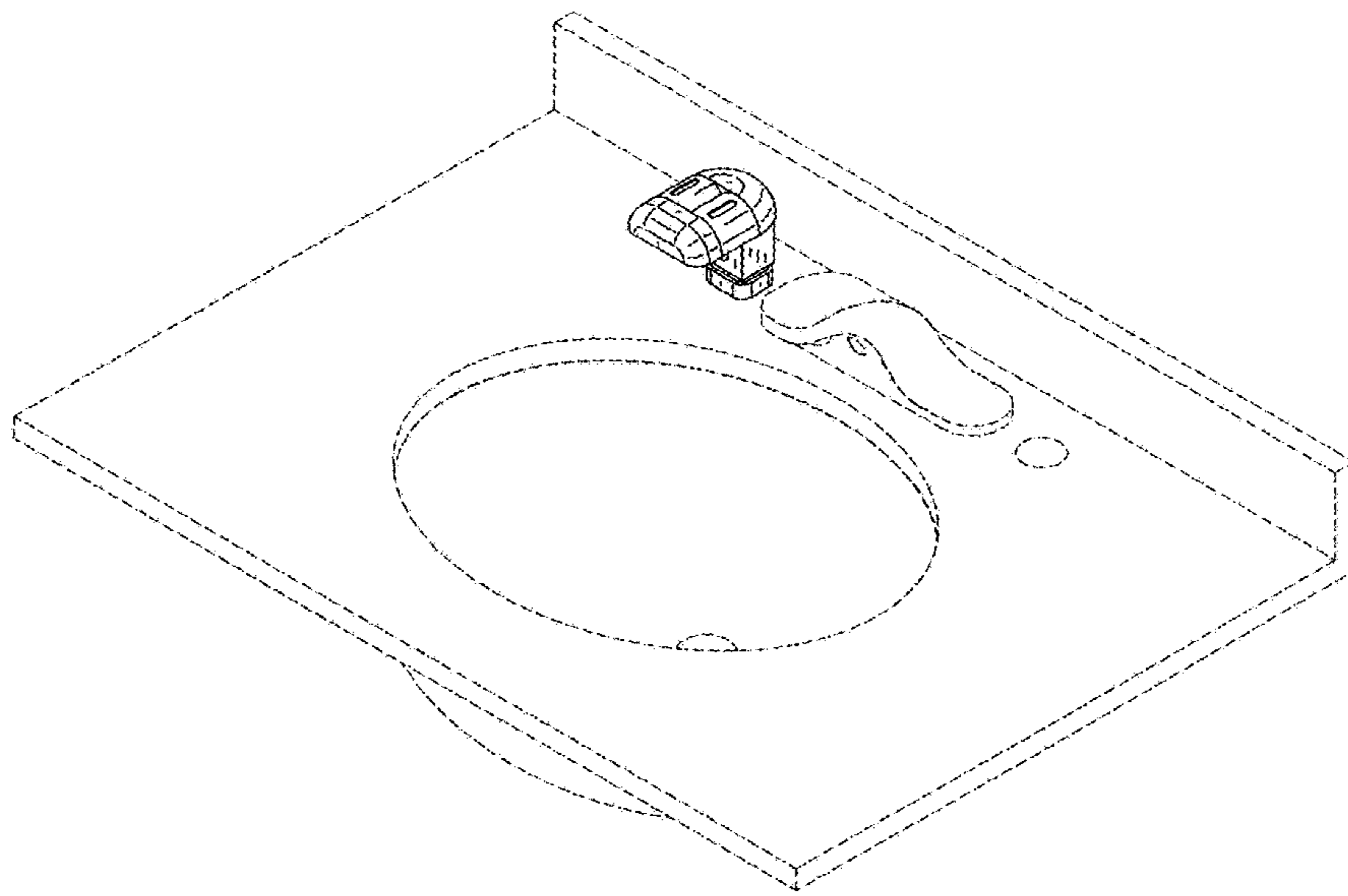


FIG. 8