

US00D802960S

(12) **United States Design Patent**
van der Windt

(10) **Patent No.:** **US D802,960 S**

(45) **Date of Patent:** **** Nov. 21, 2017**

- (54) **DISPENSER**
- (71) Applicant: **Britta van der Windt**, Nieuw-Vennep (NL)
- (72) Inventor: **Britta van der Windt**, Nieuw-Vennep (NL)
- (**) Term: **15 Years**
- (21) Appl. No.: **29/526,928**
- (22) Filed: **May 14, 2015**
- (51) **LOC (10) Cl.** **20-02**
- (52) **U.S. Cl.**
USPC **D6/518**
- (58) **Field of Classification Search**
USPC D6/515-518, 553, 542-545, 567, 574;
206/225, 233, 389, 391, 77.1; 211/13.1,
211/173, 180, 45, 86.01, 87.02, 87.01;
221/26, 33, 282, 283, 14, 92, 105;
222/173, 180, 281-282; 242/570, 590;
248/309.1, 309.2, 905
CPC ... A47K 10/40; A47K 10/38; A47K 2010/324
See application file for complete search history.

- 6,520,372 B2 * 2/2003 Phelps A47K 10/424
221/34
- D495,547 S * 9/2004 Reynolds D6/545
- D607,251 S * 1/2010 Pattberg D6/518
- D613,536 S * 4/2010 Pattberg D6/518
- D653,888 S * 2/2012 Velazquez D6/518
- D664,796 S * 8/2012 Cattacin D6/518
- D668,484 S * 10/2012 Velazquez D6/518
- D677,085 S * 3/2013 Velazquez D6/518

* cited by examiner

Primary Examiner — David Muller
Assistant Examiner — Nathan Johnston
(74) *Attorney, Agent, or Firm* — Cantor Colburn LLP

(57) **CLAIM**

I claim, the ornamental design for a dispenser, as shown and described.

DESCRIPTION

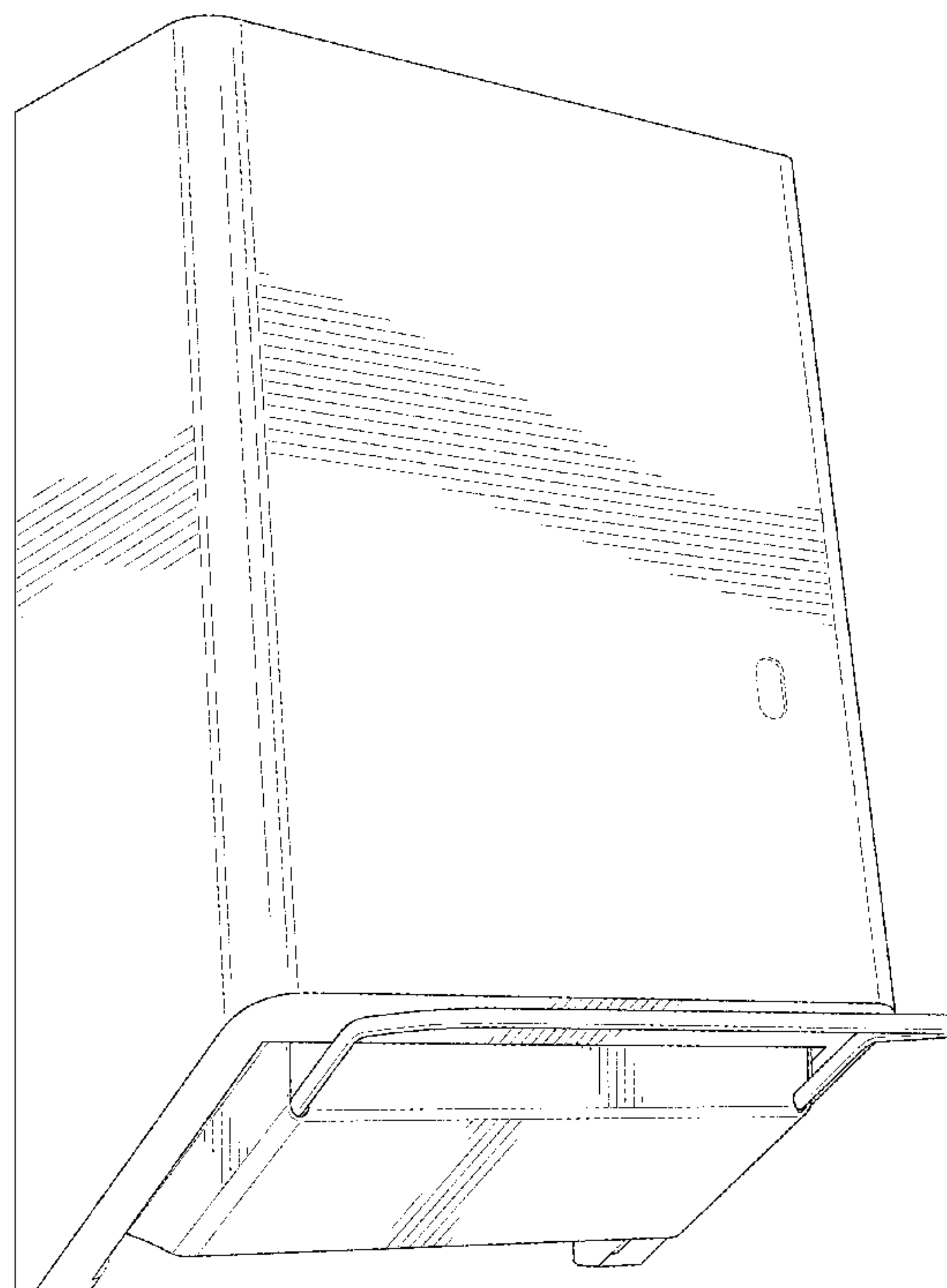
FIG. 1 is a perspective view of dispenser, showing my new design;
FIG. 2 is another perspective view thereof;
FIG. 3 is a left side elevation view thereof;
FIG. 4 is a right side elevation view thereof;
FIG. 5 is a front elevation view thereof;
FIG. 6 is a top plan view thereof;
FIG. 7 is another perspective view thereof;
FIG. 8 is another front elevation view thereof;
FIG. 9 is a perspective view thereof showing the dispenser in an open position; and,
FIG. 10 is a front elevation view thereof.
The broken lines shown in the drawings form no part of the claimed design.

1 Claim, 10 Drawing Sheets

(56) **References Cited**

U.S. PATENT DOCUMENTS

- 5,642,836 A * 7/1997 Merriweather, Jr.
..... A47K 10/424
221/281
- D416,725 S * 11/1999 Lewis D6/522
- D436,272 S * 1/2001 Andersson D6/518
- D447,373 S * 9/2001 Fisscher D6/518
- D449,475 S * 10/2001 Ehrensperger D6/522



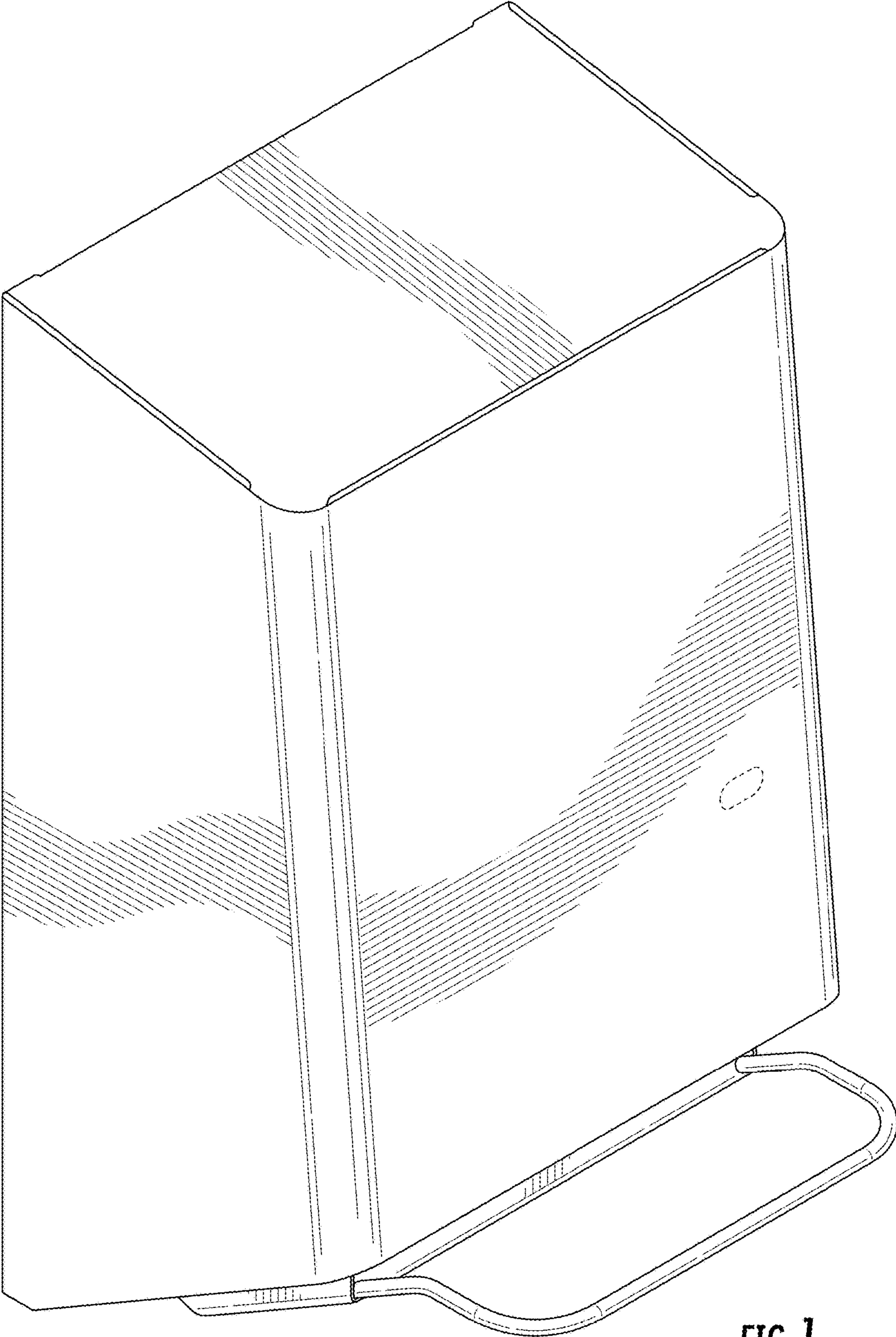


FIG. 1

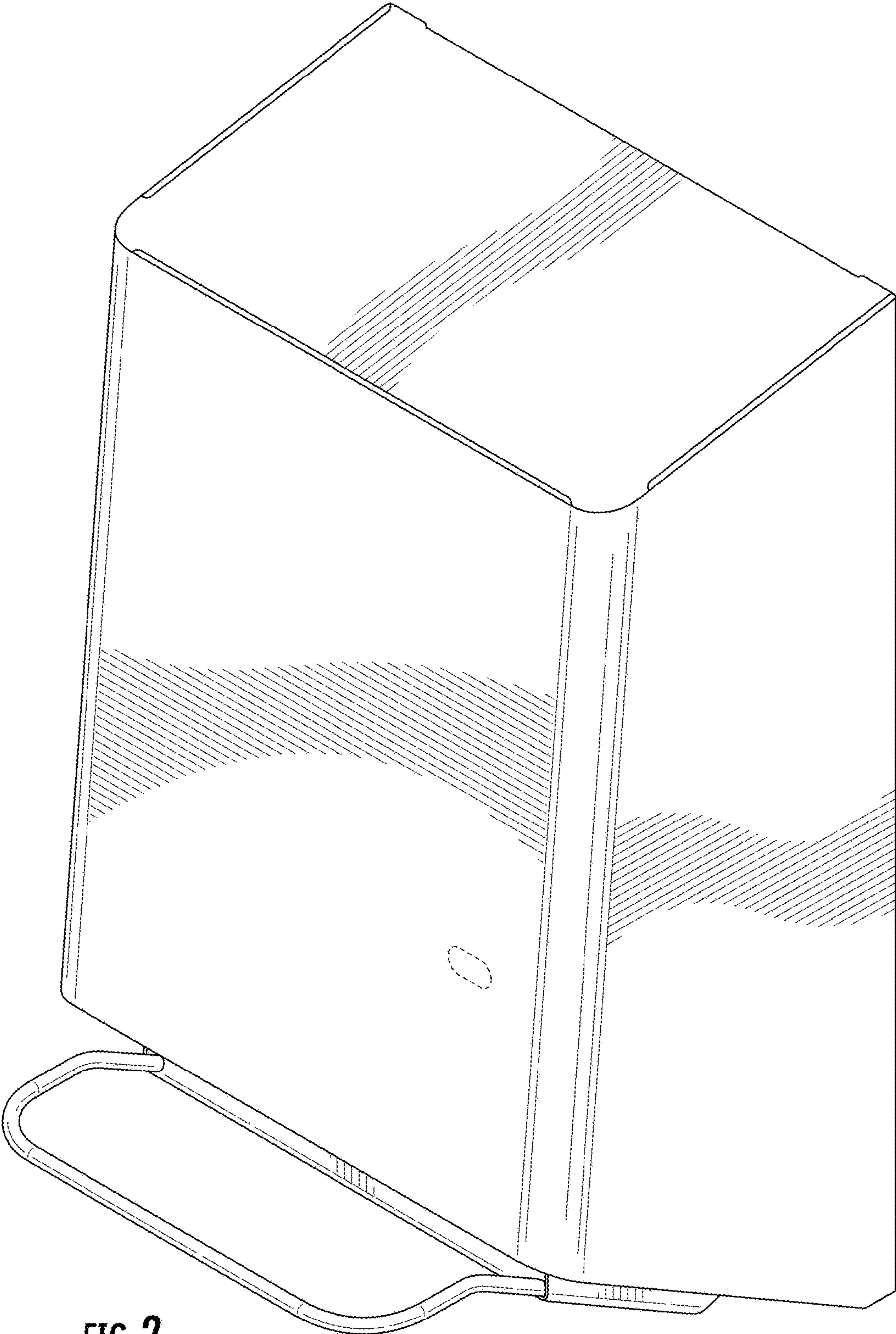


FIG. 2

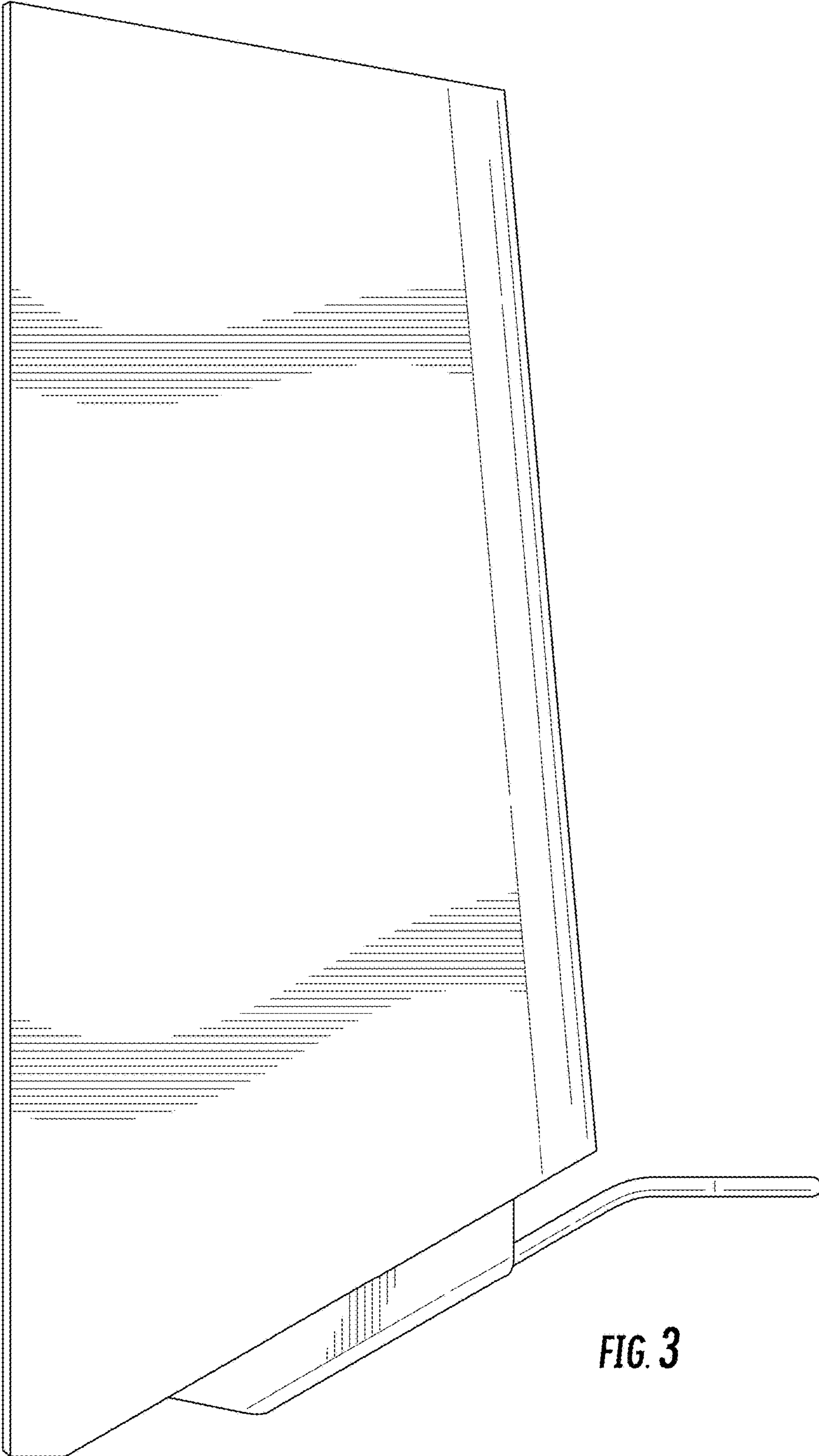


FIG. 3

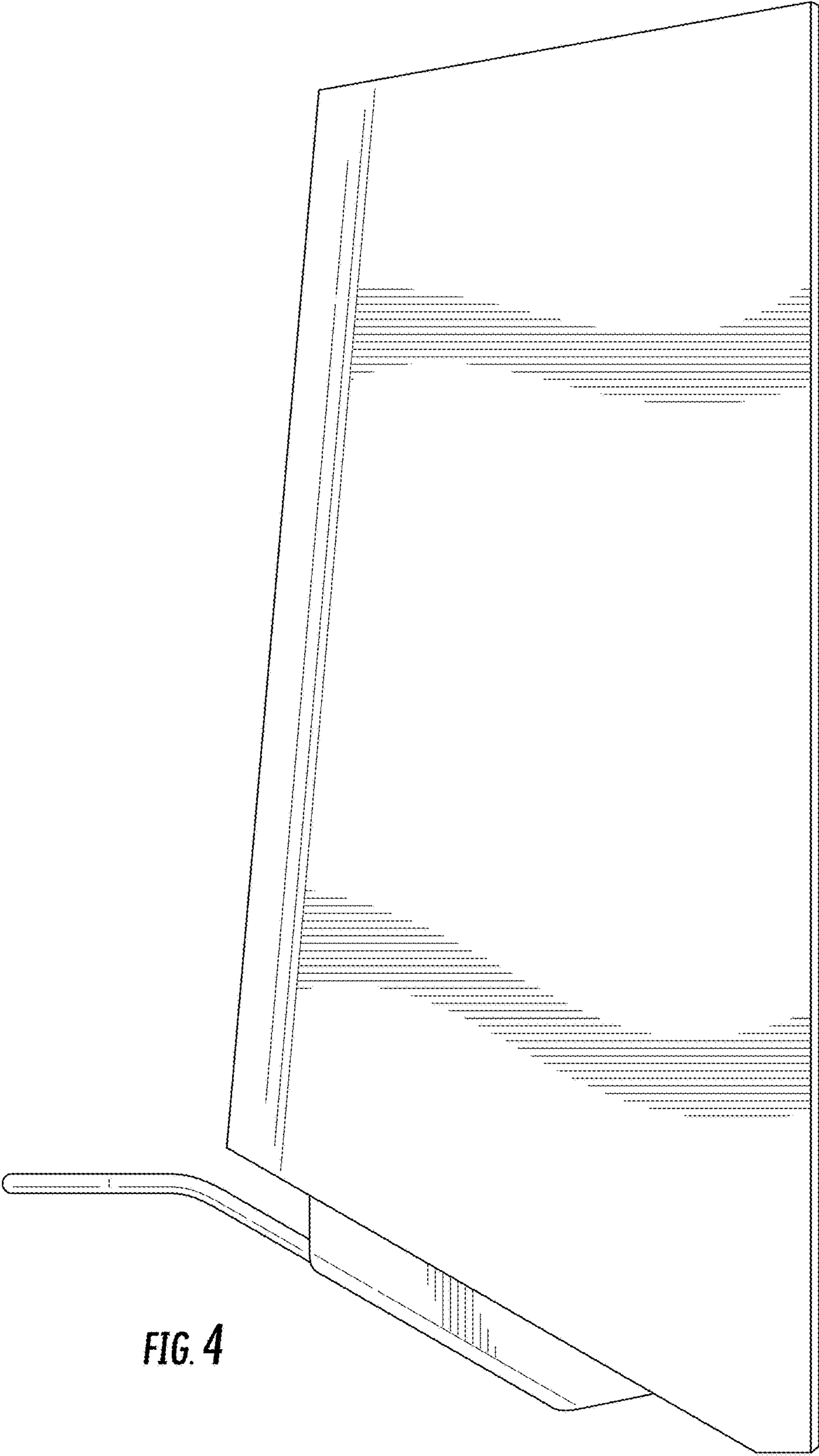


FIG. 4

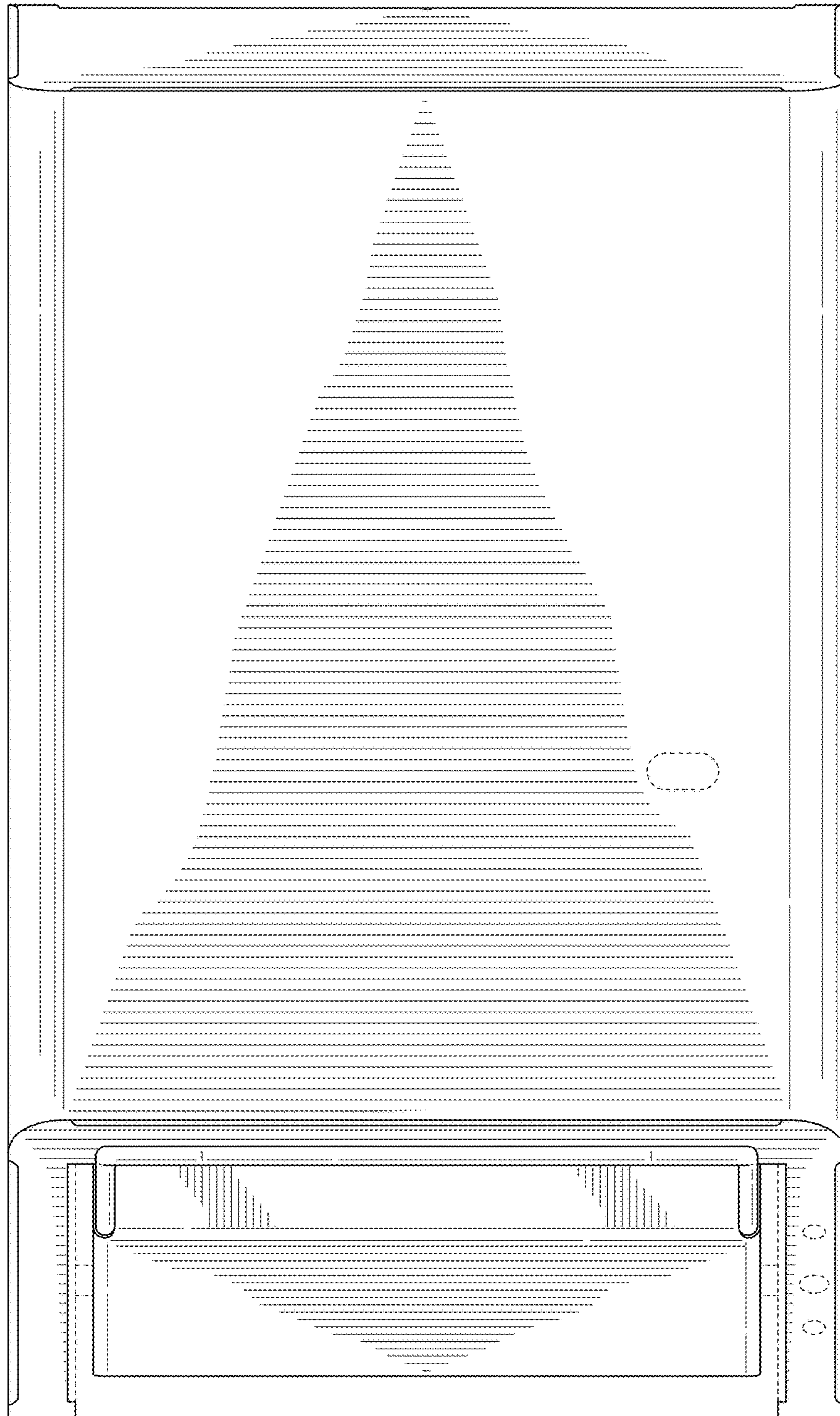


FIG. 5

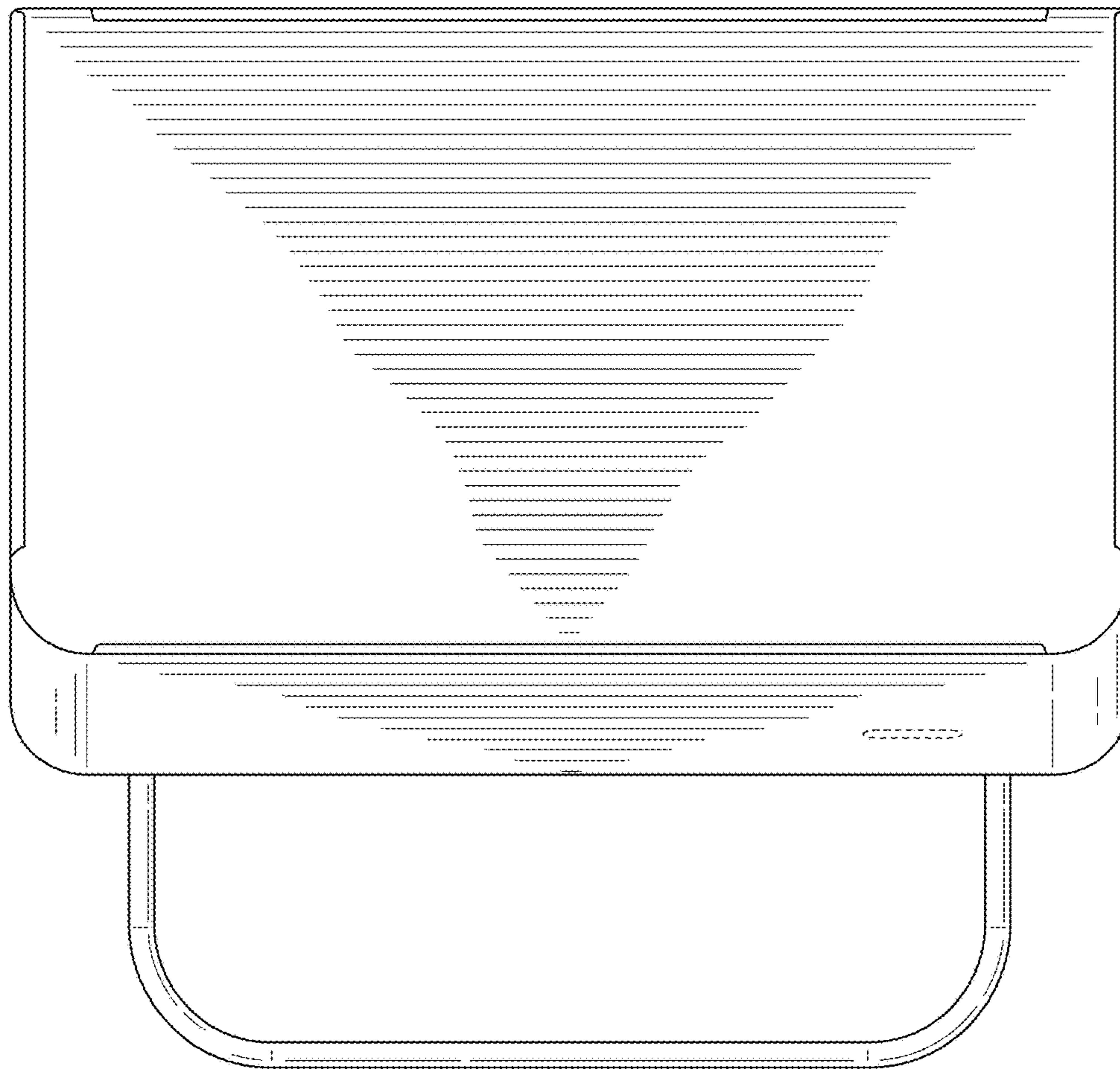


FIG. 6

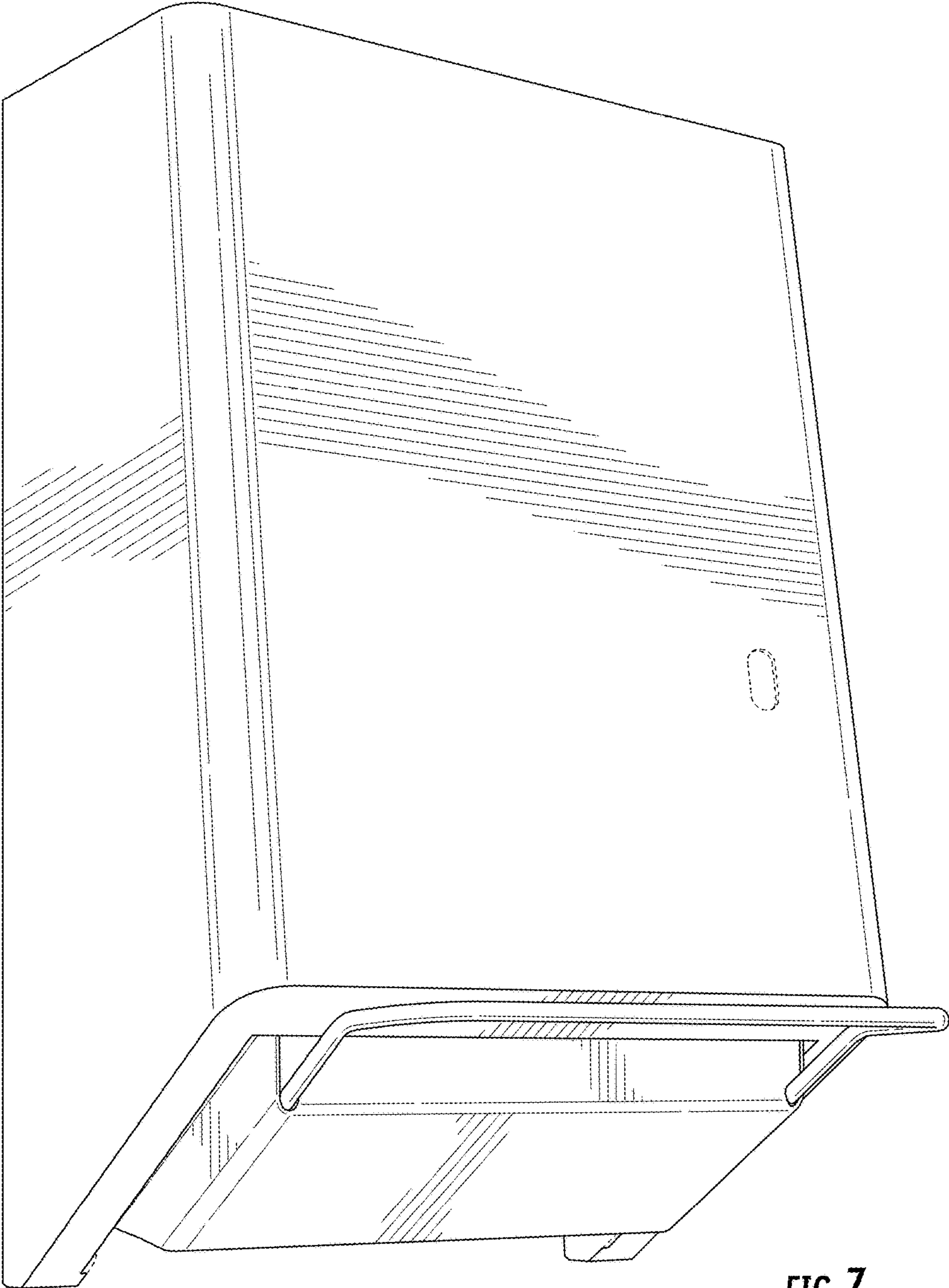


FIG. 7

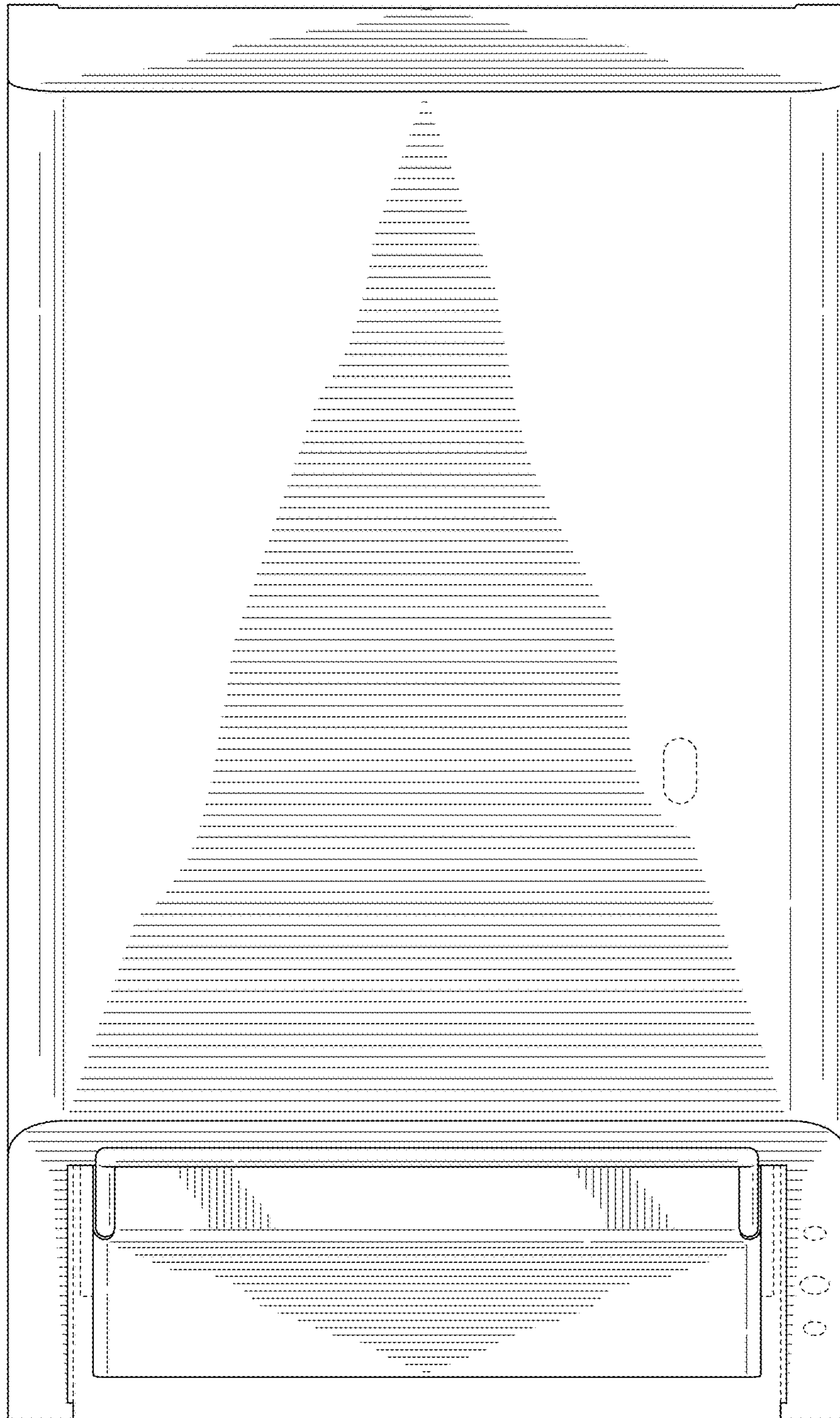


FIG. 8

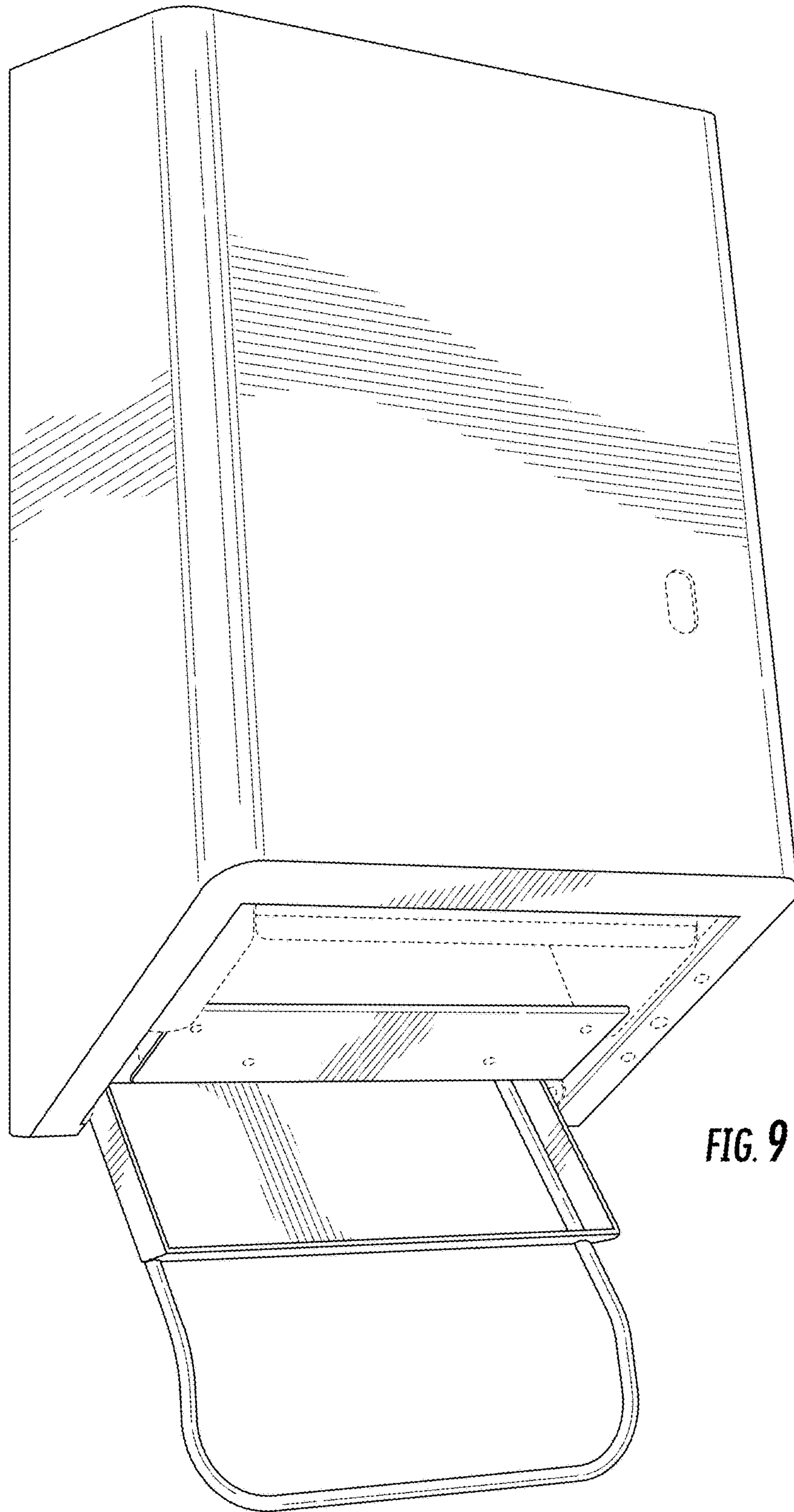


FIG. 9

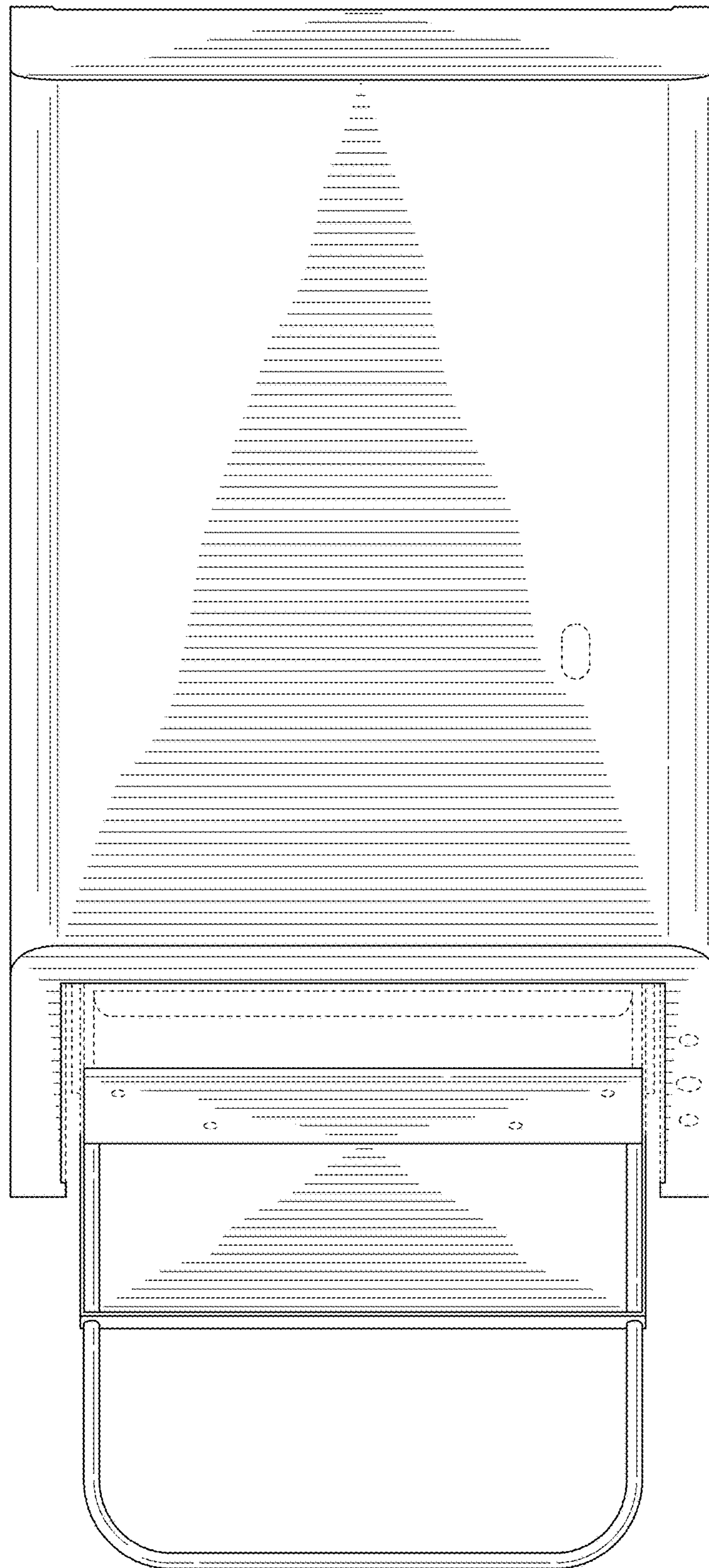


FIG. 10