



US00D802957S

(12) **United States Design Patent** (10) **Patent No.:** **US D802,957 S**  
**Neil** (45) **Date of Patent:** **\*\* Nov. 21, 2017**

(54) **CHAIR**

(71) Applicant: **Gary Neil**, Mississauga (CA)

(72) Inventor: **Gary Neil**, Mississauga (CA)

(73) Assignee: **Allseating Corporation**, Mississauga, Ontario

(\*\*) Term: **15 Years**

(21) Appl. No.: **29/570,169**

(22) Filed: **Jul. 6, 2016**

(51) **LOC (10) Cl.** ..... **06-01**

(52) **U.S. Cl.**  
USPC ..... **D6/375**

(58) **Field of Classification Search**

USPC ..... D6/334, 349–350, 364–368, 374, 375, D6/379, 380, 403, 405, 406.6, 654–654.1, D6/678–678.2, 682.1–682.6, 684–686, D6/691, 691.8–691.9, 698, 699, 705, D6/705.5, 707.19, 708, 708.21, 716; 297/284.4, 452.18, 452.24, 452.26, 297/452.28, 452.32–452.33, 452.37  
CPC .... A47C 7/02; A47C 7/44; A47C 7/46; A47C 7/48; A47C 7/54; A47C 7/386; A47C 7/462; A47C 1/10; A47C 1/031; B60N 2/02; B60N 2/22; B60N 2/44

See application file for complete search history.

(56) **References Cited**

**U.S. PATENT DOCUMENTS**

2,812,800 A \* 11/1957 Eames ..... A47C 1/12  
297/239  
2,893,469 A \* 7/1959 Eames ..... A47C 1/124  
297/239  
D210,940 S \* 5/1968 Eames ..... D6/375  
3,393,941 A \* 7/1968 Grosfillex ..... A47C 3/12  
297/440.22

D214,622 S \* 7/1969 Schler ..... D6/375  
D463,149 S \* 9/2002 Levy ..... D6/375  
D564,770 S \* 3/2008 Alter Molina ..... D6/371  
D581,688 S \* 12/2008 Miller ..... D6/375  
D602,273 S \* 10/2009 Starczewski ..... D6/366  
D645,271 S \* 9/2011 Olano Jauregui ..... D6/375  
D665,593 S \* 8/2012 Morrison ..... D6/375  
D666,428 S \* 9/2012 Morrison ..... D6/375  
D715,569 S \* 10/2014 Laub ..... D6/375  
D715,570 S \* 10/2014 Laub ..... D6/375  
D728,959 S \* 5/2015 Lievore ..... D6/375  
D728,960 S \* 5/2015 Lievore ..... D6/375  
D729,538 S \* 5/2015 Kotilainen ..... D6/375  
D731,222 S \* 6/2015 Bosman ..... D6/716  
D734,082 S \* 7/2015 Bosman ..... D6/716  
D771,988 S \* 11/2016 Schweikarth ..... D6/375  
D779,220 S \* 2/2017 Martinez ..... D6/375  
D779,223 S \* 2/2017 Duvigneau ..... D6/374  
D787,215 S \* 5/2017 Ruiz ..... D6/375

\* cited by examiner

*Primary Examiner* — Manpreet Matharu

*Assistant Examiner* — Keith Wilson

(74) *Attorney, Agent, or Firm* — Lorelei G. Graham

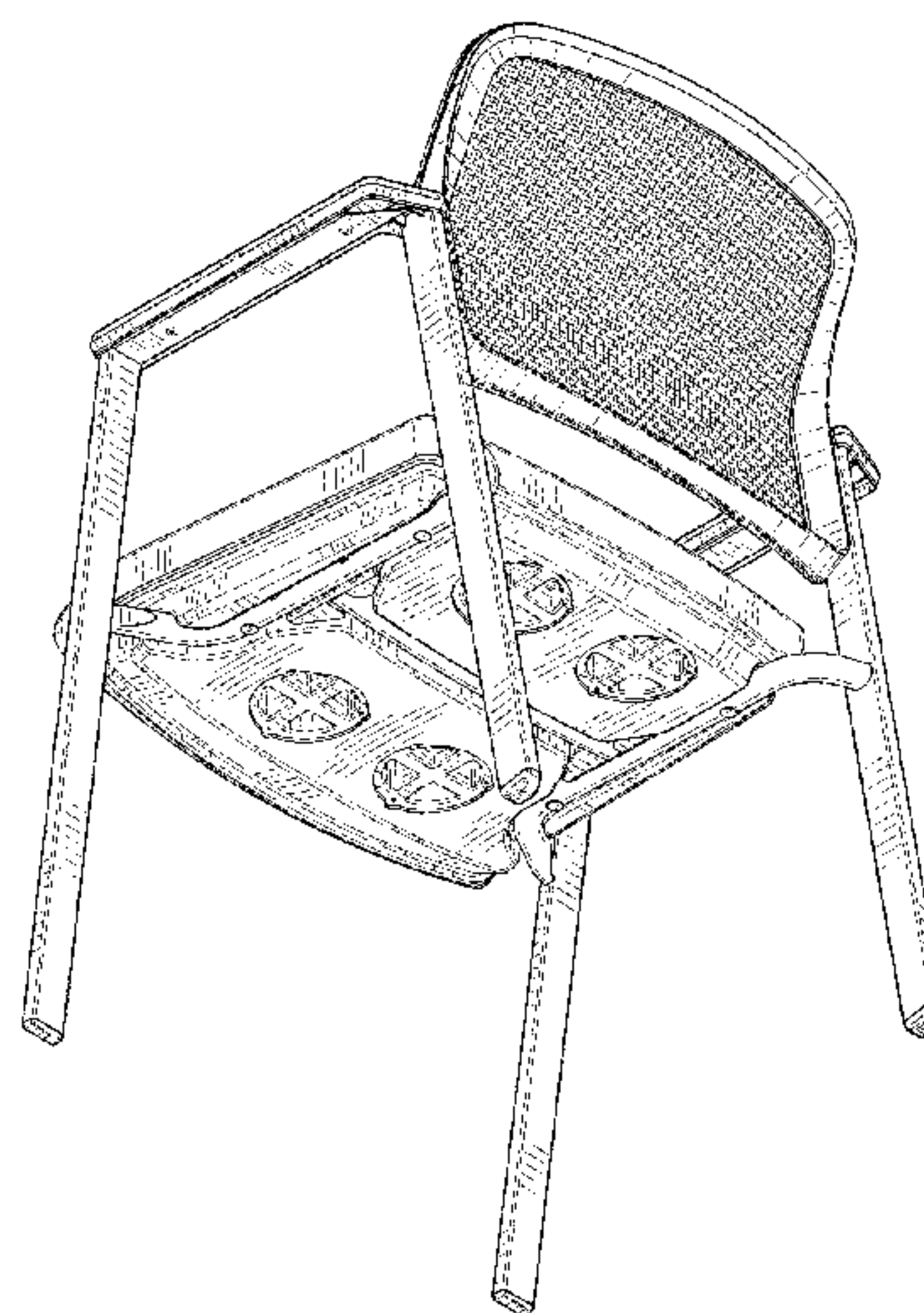
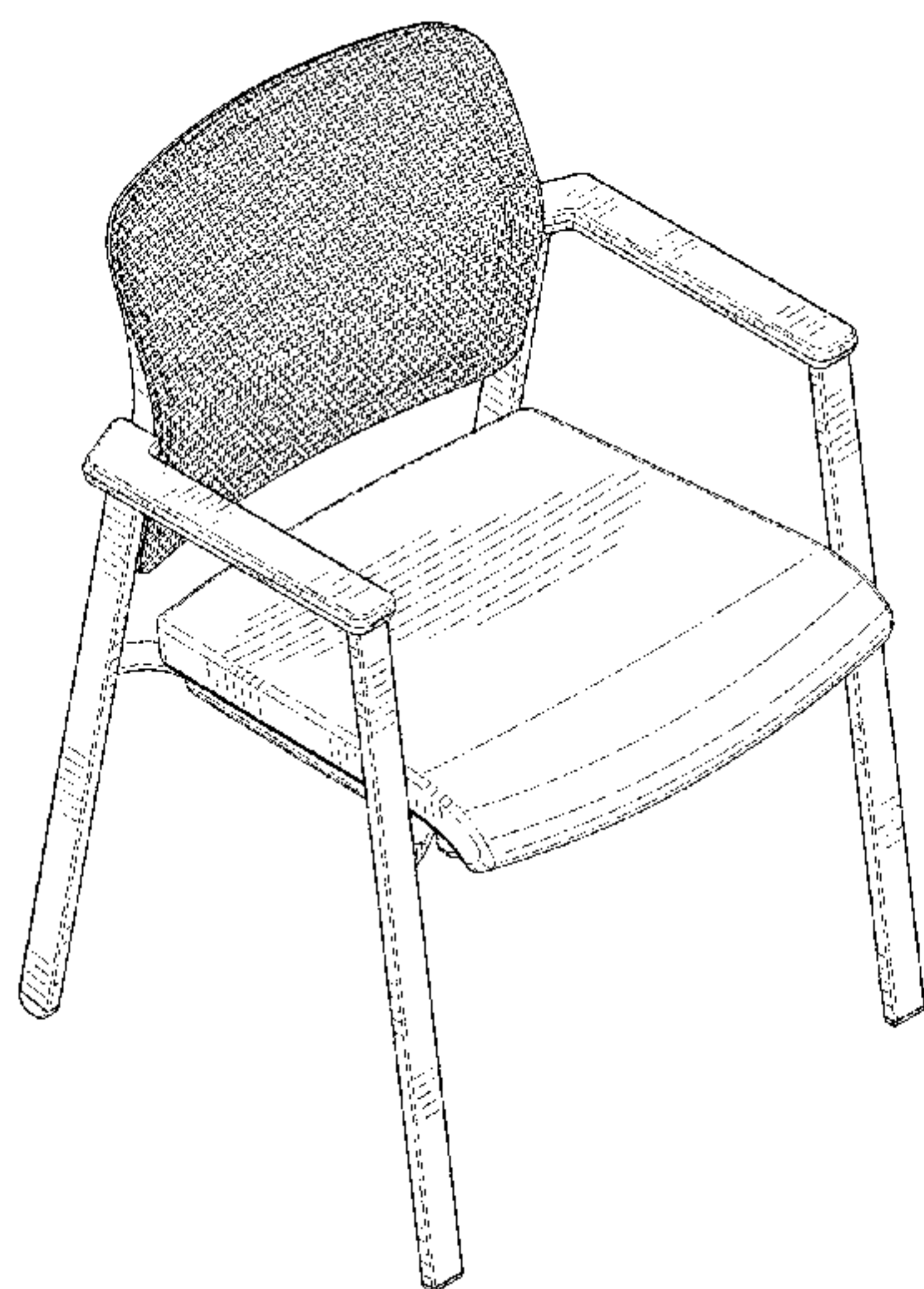
(57) **CLAIM**

The ornamental design for the chair, as shown and described.

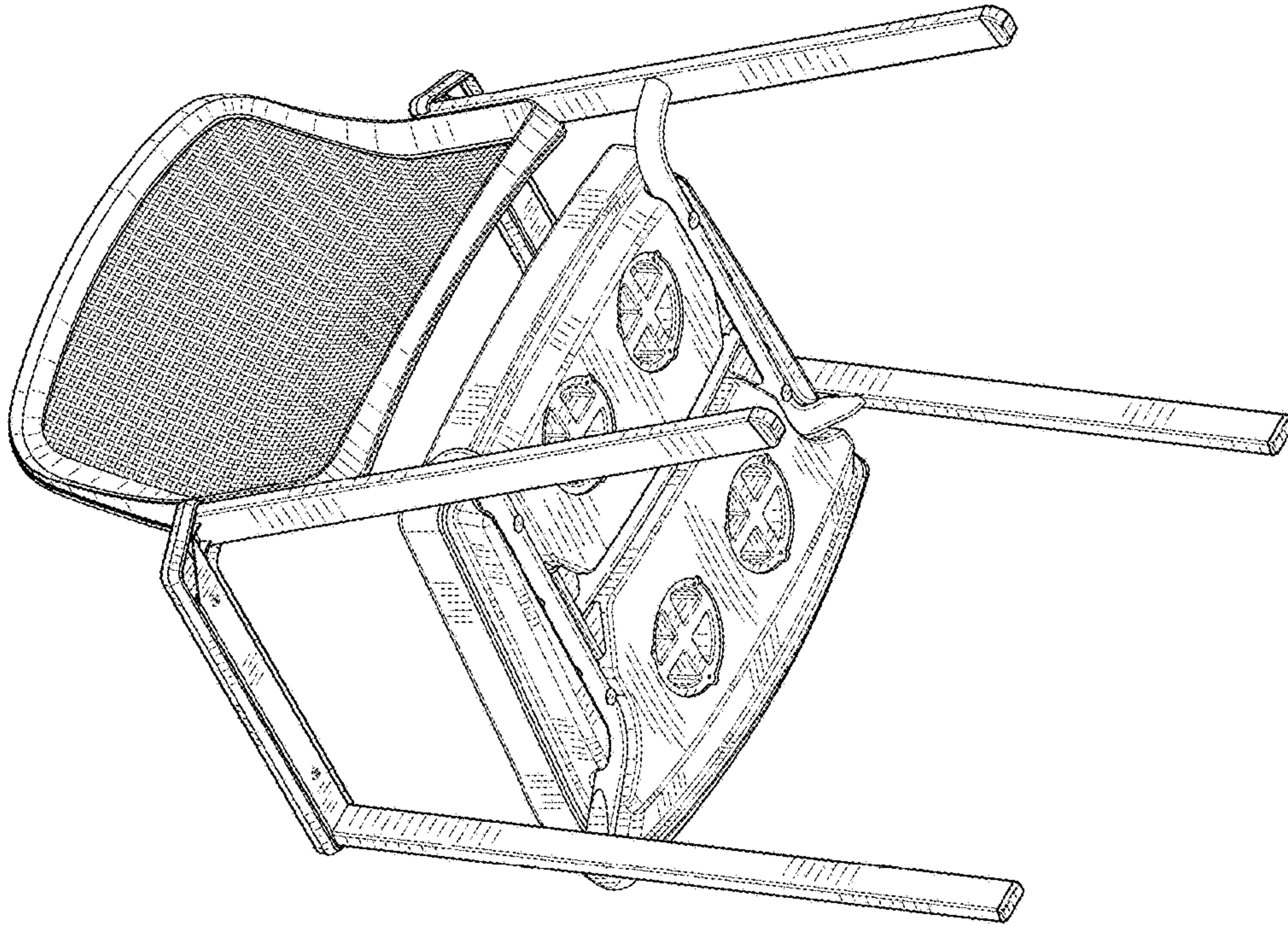
**DESCRIPTION**

FIG. 1 is a front perspective view of the chair.  
FIG. 2 is a back perspective view of the chair.  
FIG. 3 is a right side view of the chair.  
FIG. 4 is a front view of the chair.  
FIG. 5 is a left side view of the chair.  
FIG. 6 is a back view of the chair.  
FIG. 7 is a top view of the chair; and,  
FIG. 8 is a bottom view of the chair.  
The portions in dashed lines do not form part the design.

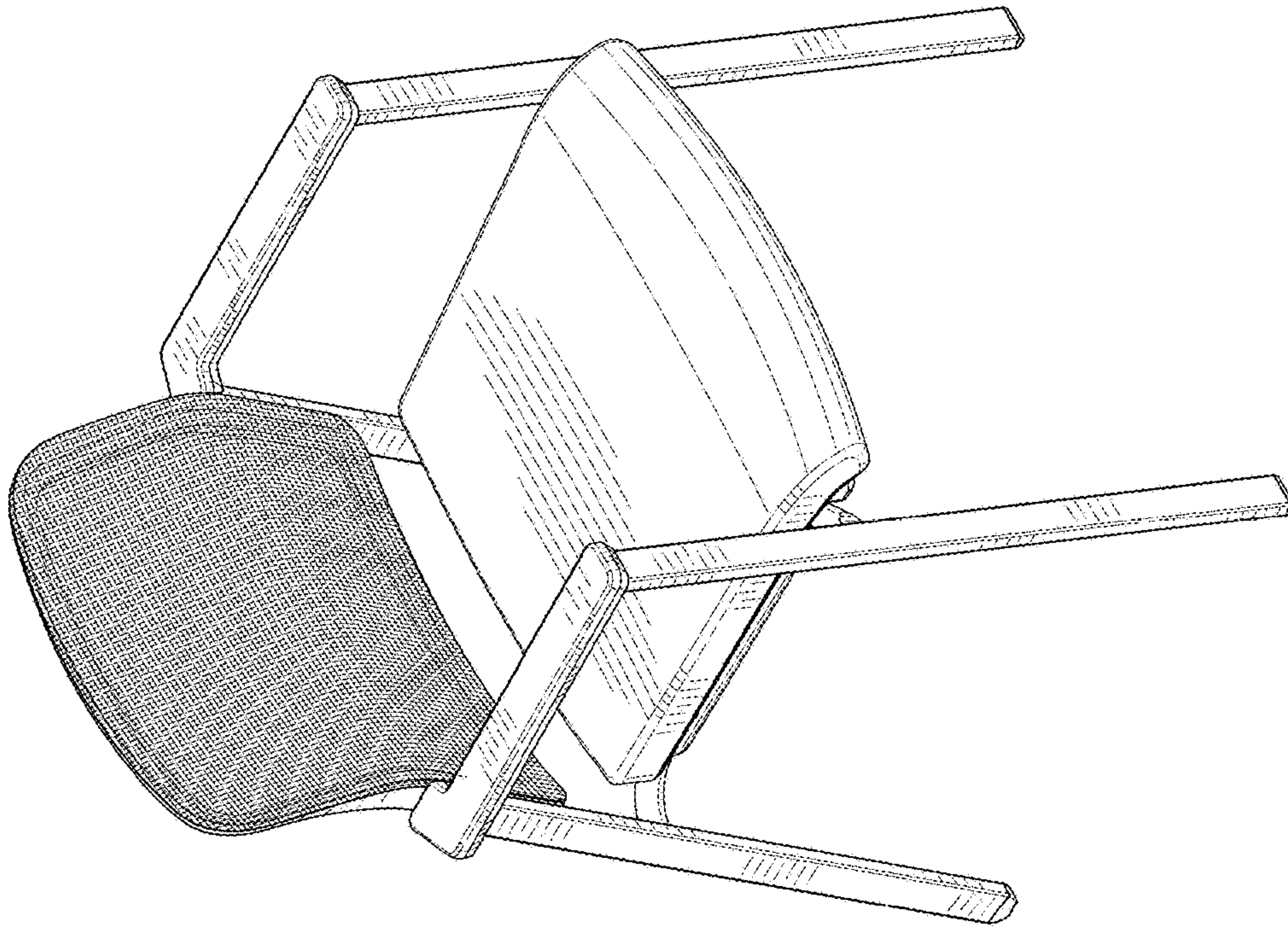
**1 Claim, 4 Drawing Sheets**





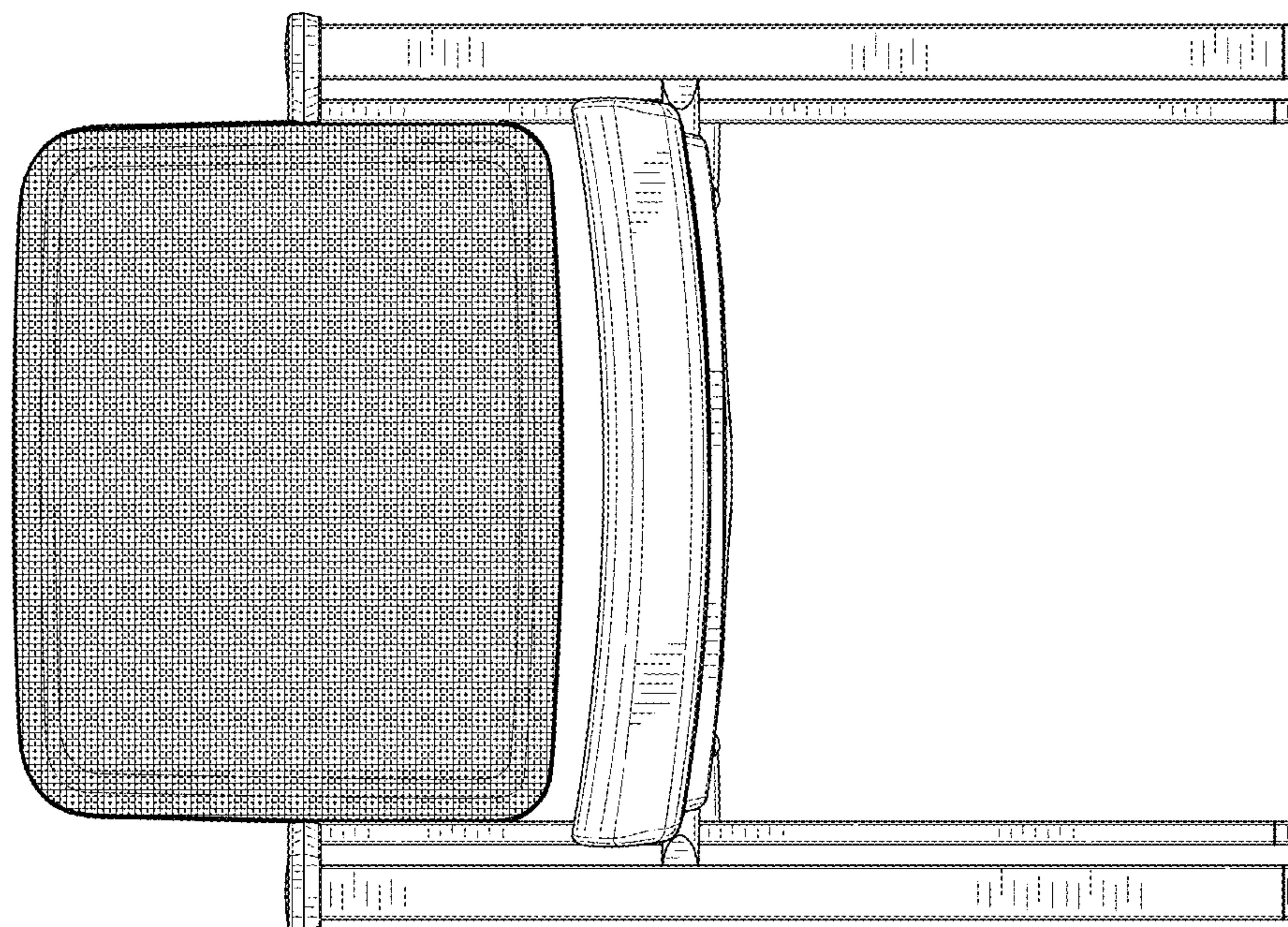


**FIG. 2**

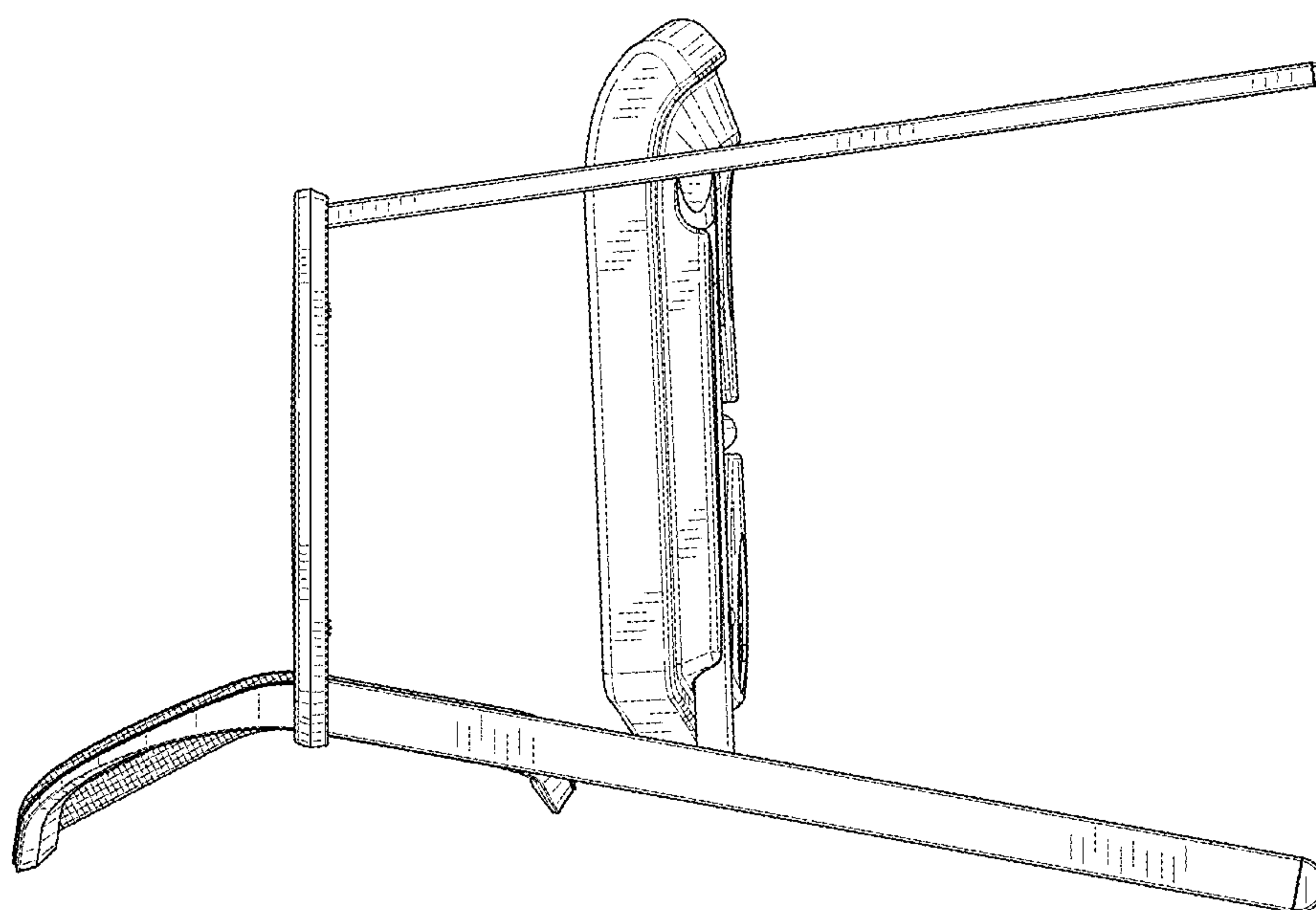


**FIG. 1**

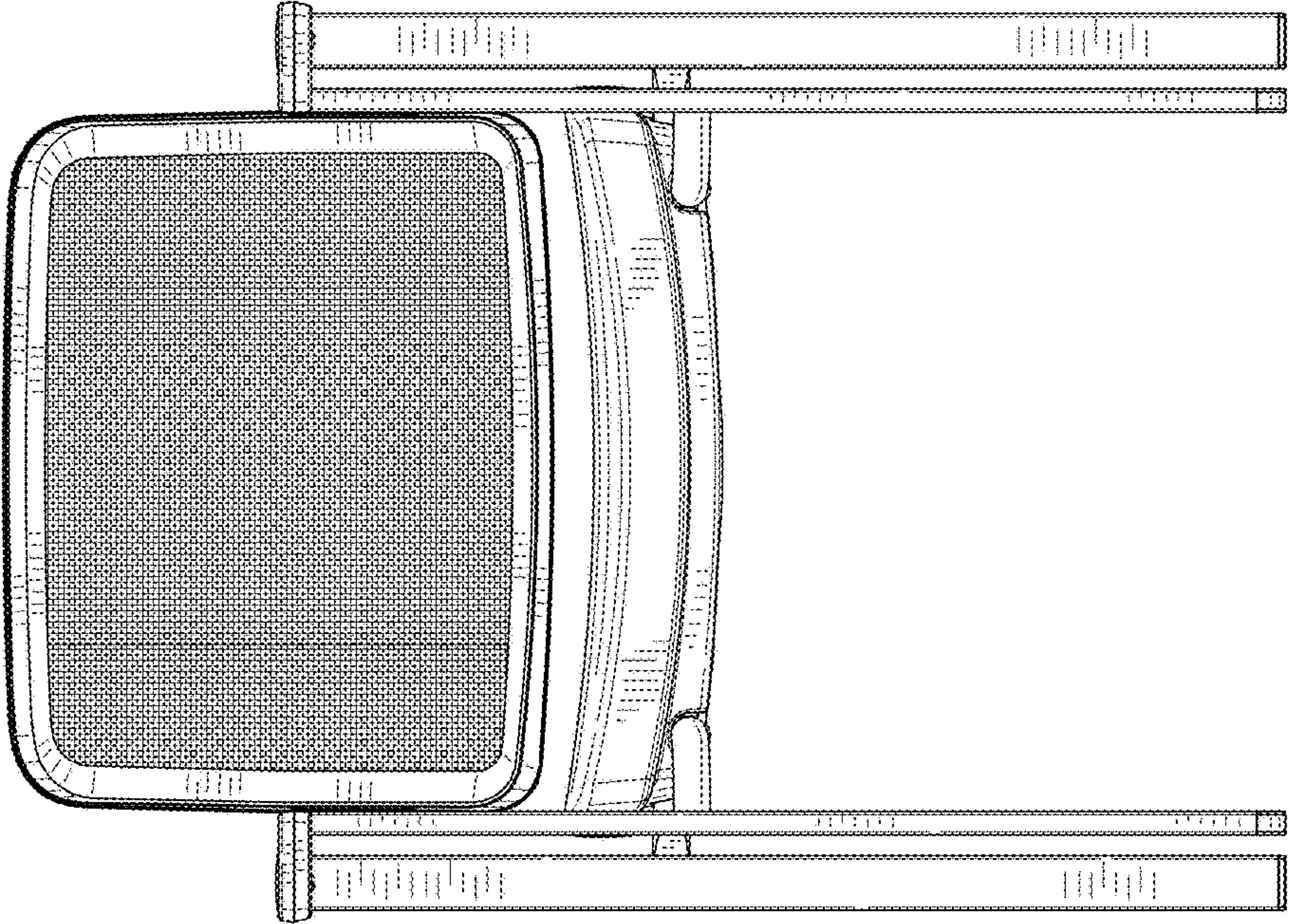




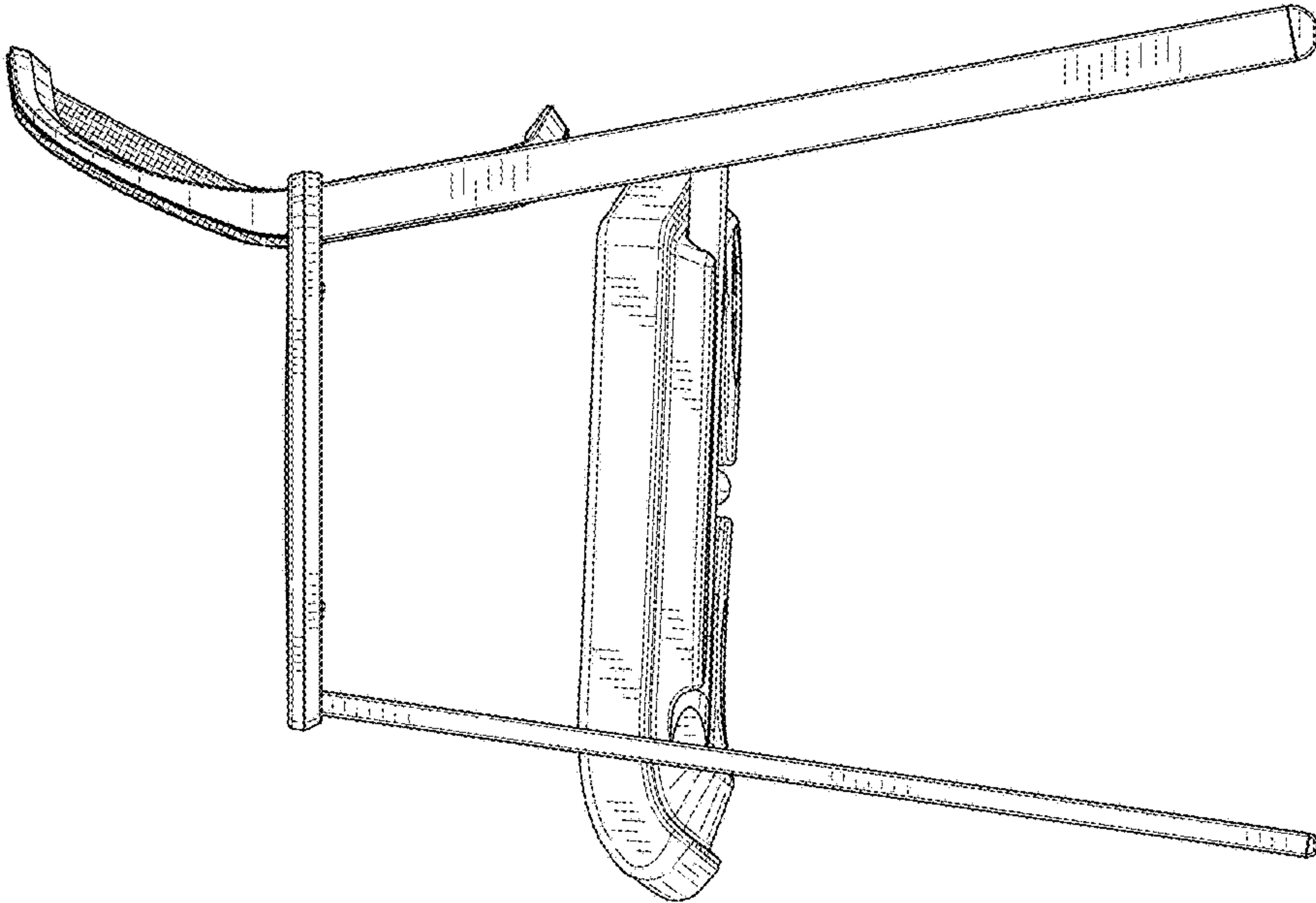
**FIG. 4**



**FIG. 3**

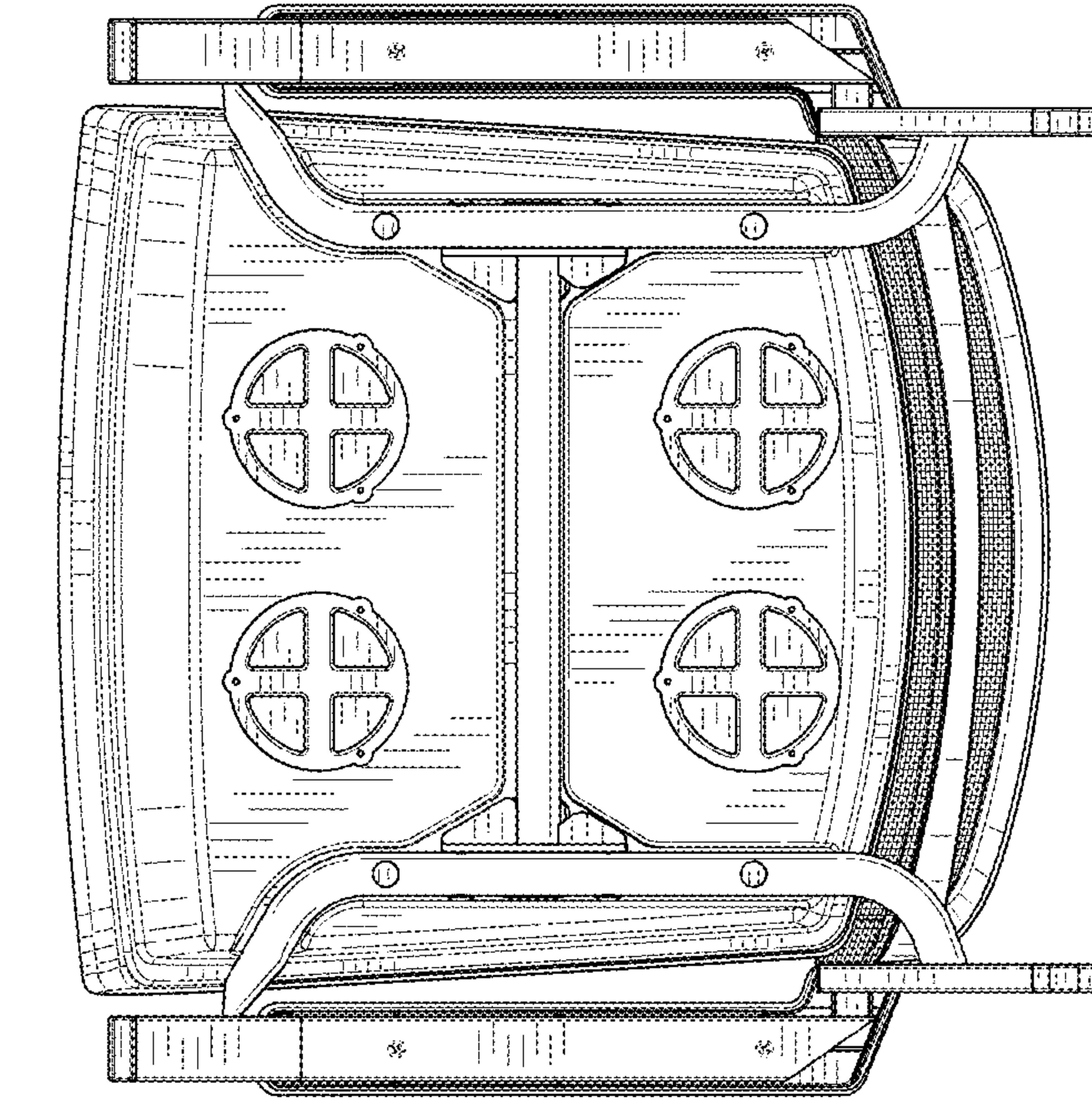


**FIG. 5**

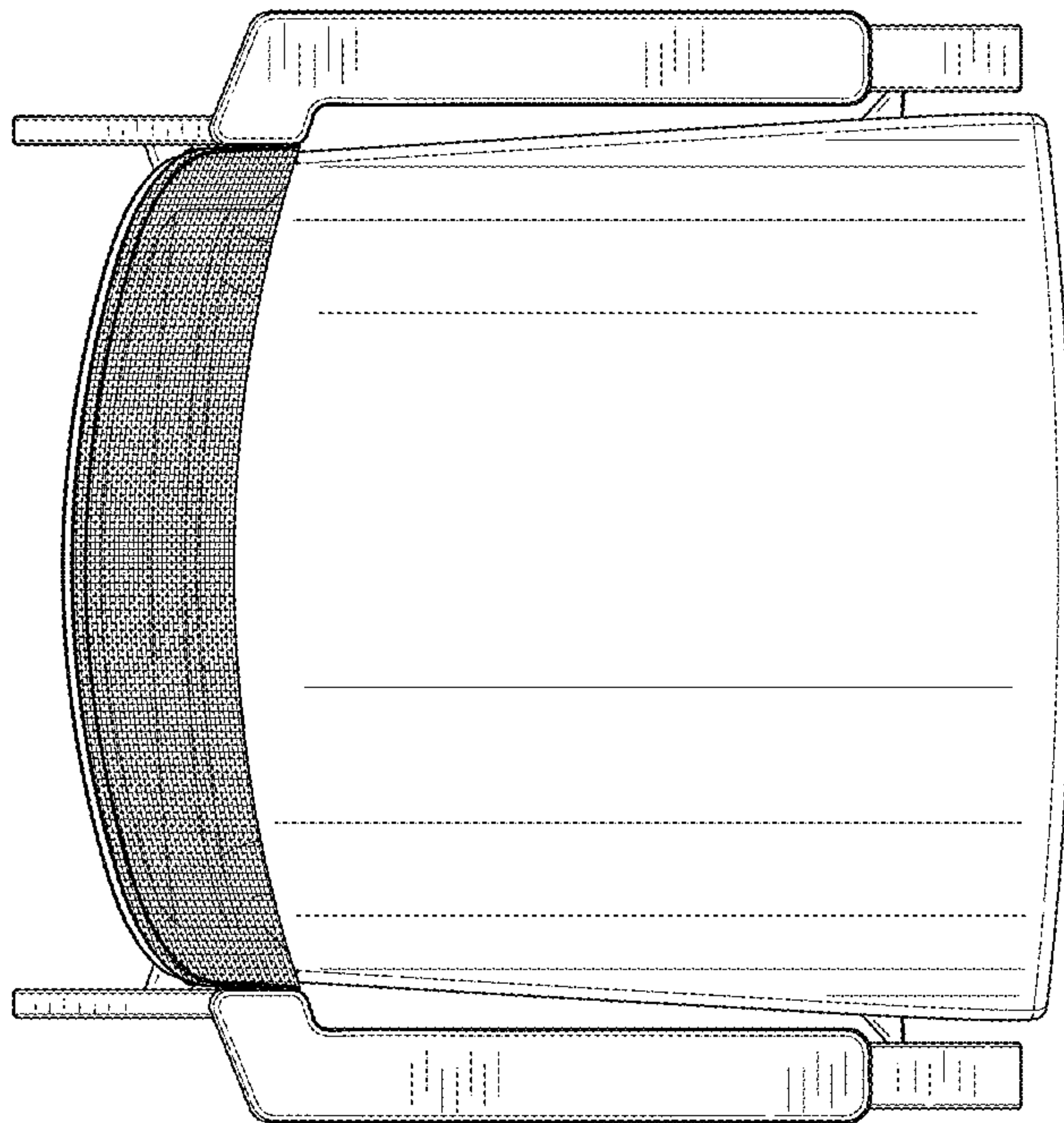


**FIG. 6**





**FIG. 7**



**FIG. 8**