



US00D802956S

(12) **United States Design Patent** (10) **Patent No.:** **US D802,956 S**
Neil (45) **Date of Patent:** **** Nov. 21, 2017**

(54) **CHAIR**

(71) Applicant: **Gary Neil**, Mississauga (CA)

(72) Inventor: **Gary Neil**, Mississauga (CA)

(73) Assignee: **Allseating Corporation**, Mississauga, Ontario

(**) Term: **15 Years**

(21) Appl. No.: **29/568,846**

(22) Filed: **Jun. 22, 2016**

(51) **LOC (10) Cl.** **06-01**

(52) **U.S. Cl.**
USPC **D6/372; D6/381**

(58) **Field of Classification Search**
USPC **D6/334, 349-350, 364-368, 374, 375, D6/379, 380, 381, 403, 405, 406.6,**
(Continued)

(56) **References Cited**

U.S. PATENT DOCUMENTS

D245,952 S * 10/1977 Luthy D6/372
D269,142 S * 5/1983 Umanoff D6/372
(Continued)

Primary Examiner — Manpreet Matharu

Assistant Examiner — Keith Wilson

(74) *Attorney, Agent, or Firm* — Lorelei G. Graham

(57) **CLAIM**

The ornamental design for the chair, as shown and described.

DESCRIPTION

FIG. 1 is a front perspective view of the chair.
FIG. 2 is a back perspective view of the chair.
FIG. 3 is a right side view of the chair.
FIG. 4 is a front view of the chair.
FIG. 5 is a left side view of the chair.

FIG. 6 is a back view of the chair.
FIG. 7 is a top view of the chair.
FIG. 8 is a bottom view of the chair.
FIG. 9 is a front perspective view of the chair in a second embodiment.
FIG. 10 is a back perspective view of the chair in a second embodiment.
FIG. 11 is a right side view of the chair in a second embodiment.
FIG. 12 is a front view of the chair in a second embodiment.
FIG. 13 is a left view of the chair in a second embodiment.
FIG. 14 is a back view of the chair in a second embodiment.
FIG. 15 is a top view of the chair in a second embodiment.
FIG. 16 is a bottom view of the chair in a second embodiment.
FIG. 17 is a front perspective view of the chair in a third embodiment.
FIG. 18 is a bottom perspective view of the chair in a third embodiment.
FIG. 19 is a right side view of the chair in a third embodiment.
FIG. 20 is a front view of the chair in a third embodiment.
FIG. 21 is a left view of the chair in a third embodiment.
FIG. 22 is a back view of the chair in a third embodiment.
FIG. 23 is a top view of the chair in a third embodiment.
FIG. 24 is a left view of the chair in a third embodiment.
FIG. 25 is a front perspective view of the chair in a fourth embodiment.
FIG. 26 is a bottom perspective view of the chair in a fourth embodiment.
FIG. 27 is a right side view of the chair in a fourth embodiment.
FIG. 28 is a front view of the chair in a fourth embodiment.
FIG. 29 is a left side view of the chair in a fourth embodiment.
FIG. 30 is a back view of the chair in a fourth embodiment.
FIG. 31 is a top view of the chair in a fourth embodiment.
FIG. 32 is a bottom view of the chair in a fourth embodiment.
FIG. 33 is a front perspective view of the chair in a fifth embodiment.
FIG. 34 is a back perspective view of the chair in a fifth embodiment.

(Continued)

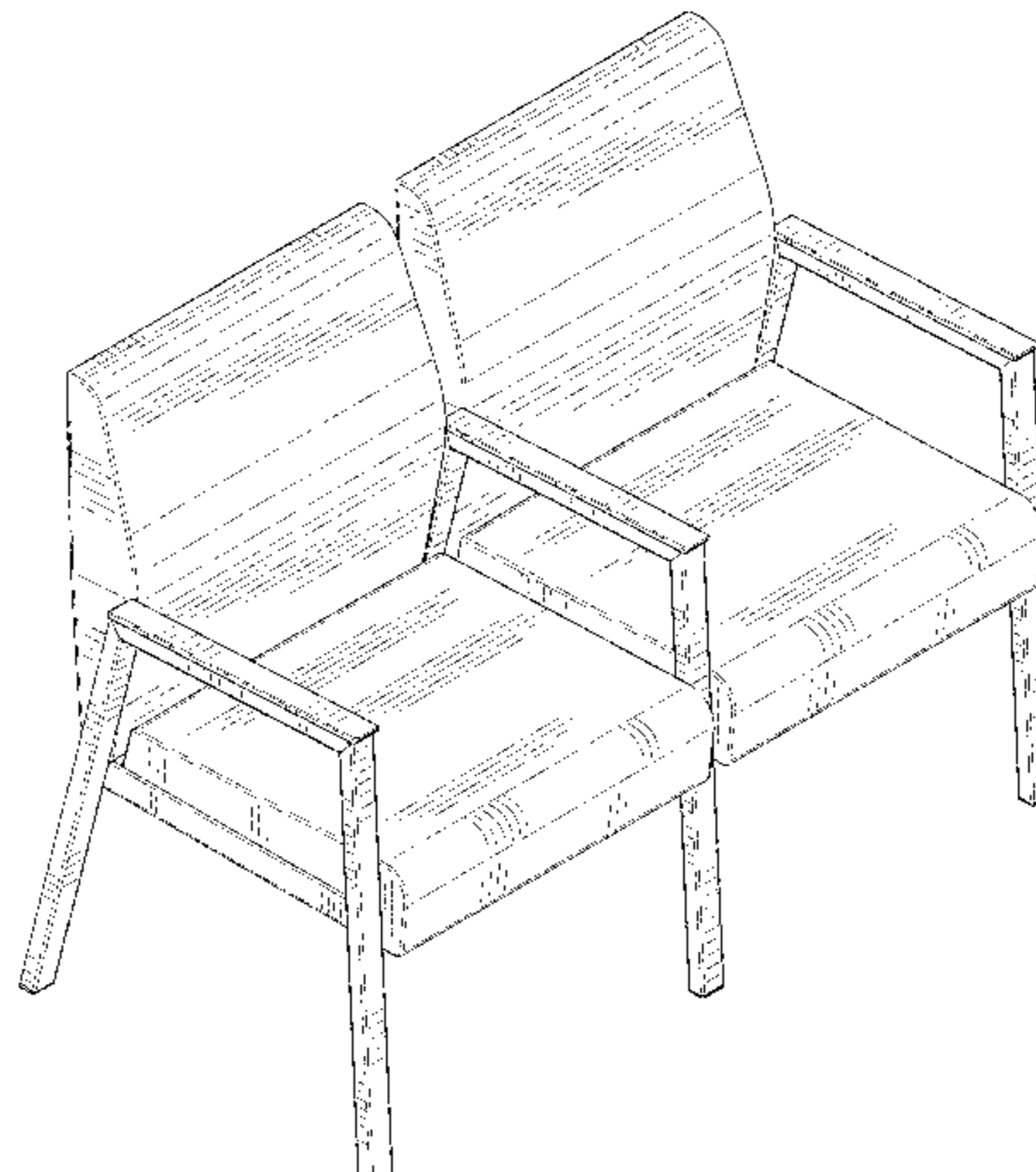
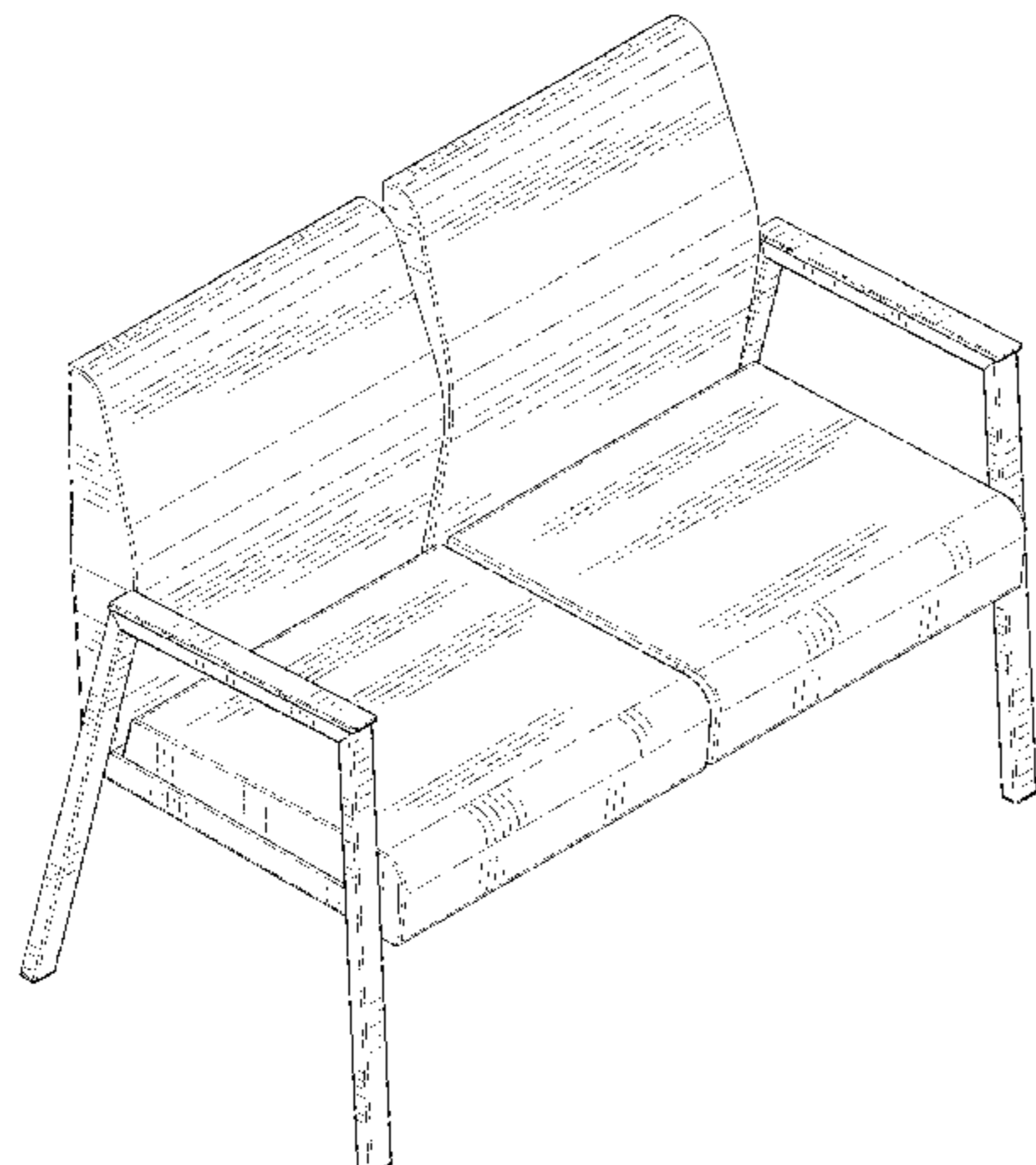


FIG. 35 is a right side view of the chair in a fifth embodiment.

FIG. 36 is a front view of the chair in a fifth embodiment

FIG. 37 is a left side view of the chair in a fifth embodiment.

FIG. 38 is a back view of the chair in a fifth embodiment.

FIG. 39 is a top view of the chair in a fifth embodiment; and,

FIG. 40 is a bottom view of the chair in a fifth embodiment.

The portions in dashed lines do not form part of the design.

1 Claim, 24 Drawing Sheets

(58) **Field of Classification Search**

USPC D6/654-654.1, 678-678.2, 682.1-682.6,
D6/684-686, 691, 691.8-691.9, 698, 699,
D6/705, 705.5, 707.19, 708, 708.21, 716;
297/284.4, 452.18, 452.24, 452.26,
297/452.28, 452.32-33, 457.37

CPC A47C 7/02; A47C 7/44; A47C 7/46; A47C
7/48; A47C 7/54; A47C 7/386; A47C
7/462; A47C 1/10; A47C 1/031; B60N
2/02; B60N 2/22; B60N 2/44

See application file for complete search history.

(56)

References Cited

U.S. PATENT DOCUMENTS

D371,914	S	*	7/1996	Beaulieu	D6/372
D378,327	S	*	3/1997	Beaulieu	D6/372
D399,072	S	*	10/1998	Holbrook	D6/372
D456,163	S	*	4/2002	Englisch	D6/372
D467,751	S	*	12/2002	Lepper	D6/372
D498,077	S	*	11/2004	Tonizzo	D6/381
D554,881	S	*	11/2007	de Brabandere	D6/372
D564,771	S	*	3/2008	Dauphin	D6/372
D575,544	S	*	8/2008	Adair	D6/334
D576,417	S	*	9/2008	Dietrich	D6/372
D590,617	S	*	4/2009	Benn	D6/372
D609,491	S	*	2/2010	Lievore	D6/381
D617,110	S	*	6/2010	Dorner	D6/372
D635,788	S	*	4/2011	Schwamkrug	D6/371
D648,558	S	*	11/2011	Lievore	D6/372
D651,425	S	*	1/2012	Bellin	D6/372
D651,823	S	*	1/2012	Zund	D6/372
D666,427	S	*	9/2012	Morrison	D6/372
D683,157	S	*	5/2013	Pedersen	D6/372
D723,827	S	*	3/2015	Gibilterra	D6/381
D736,008	S	*	8/2015	Bosman	D6/375
D762,074	S	*	7/2016	Gibilterra	D6/381
D789,701	S	*	6/2017	Westfall	D6/372

* cited by examiner

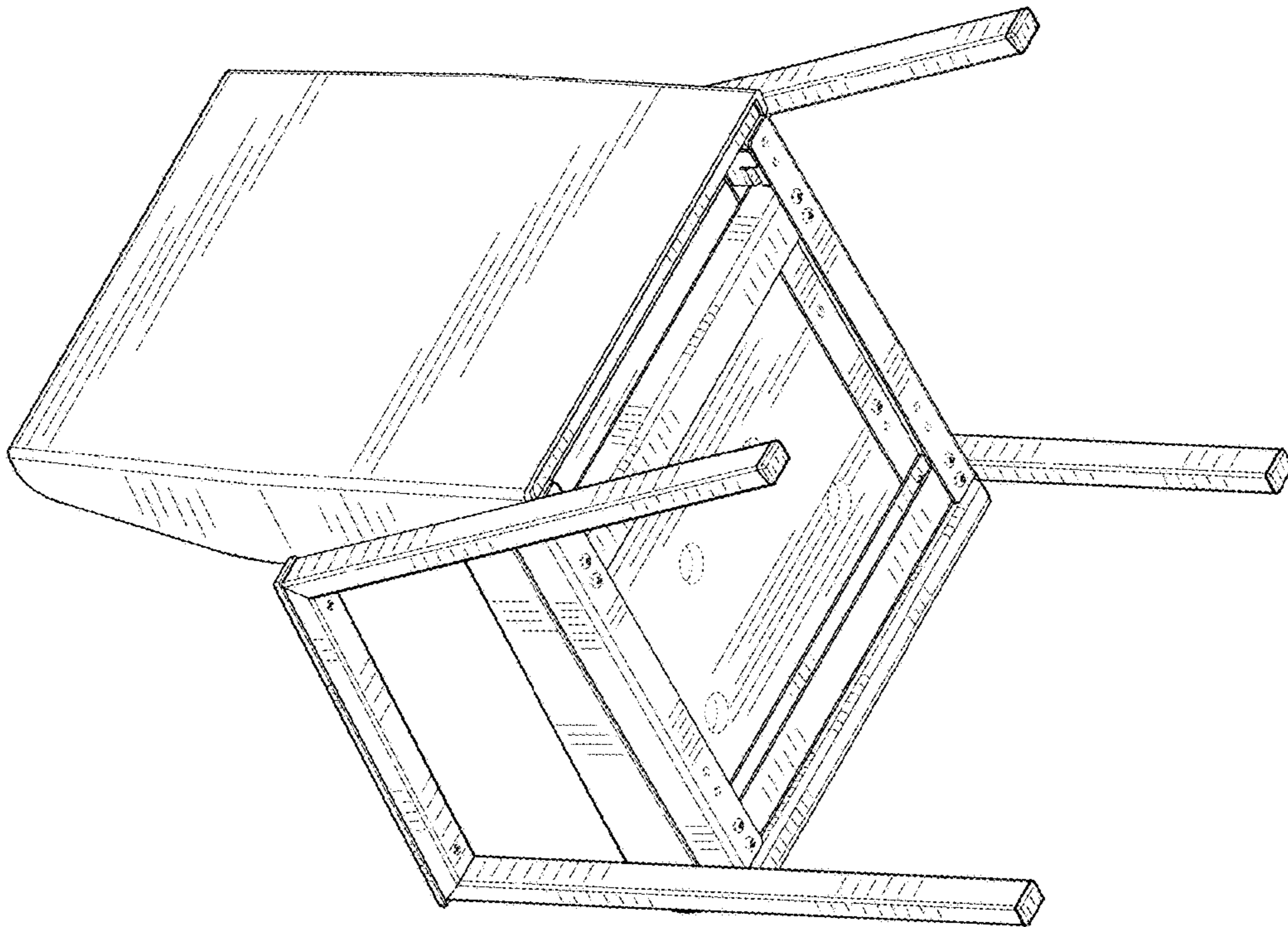


FIG. 2

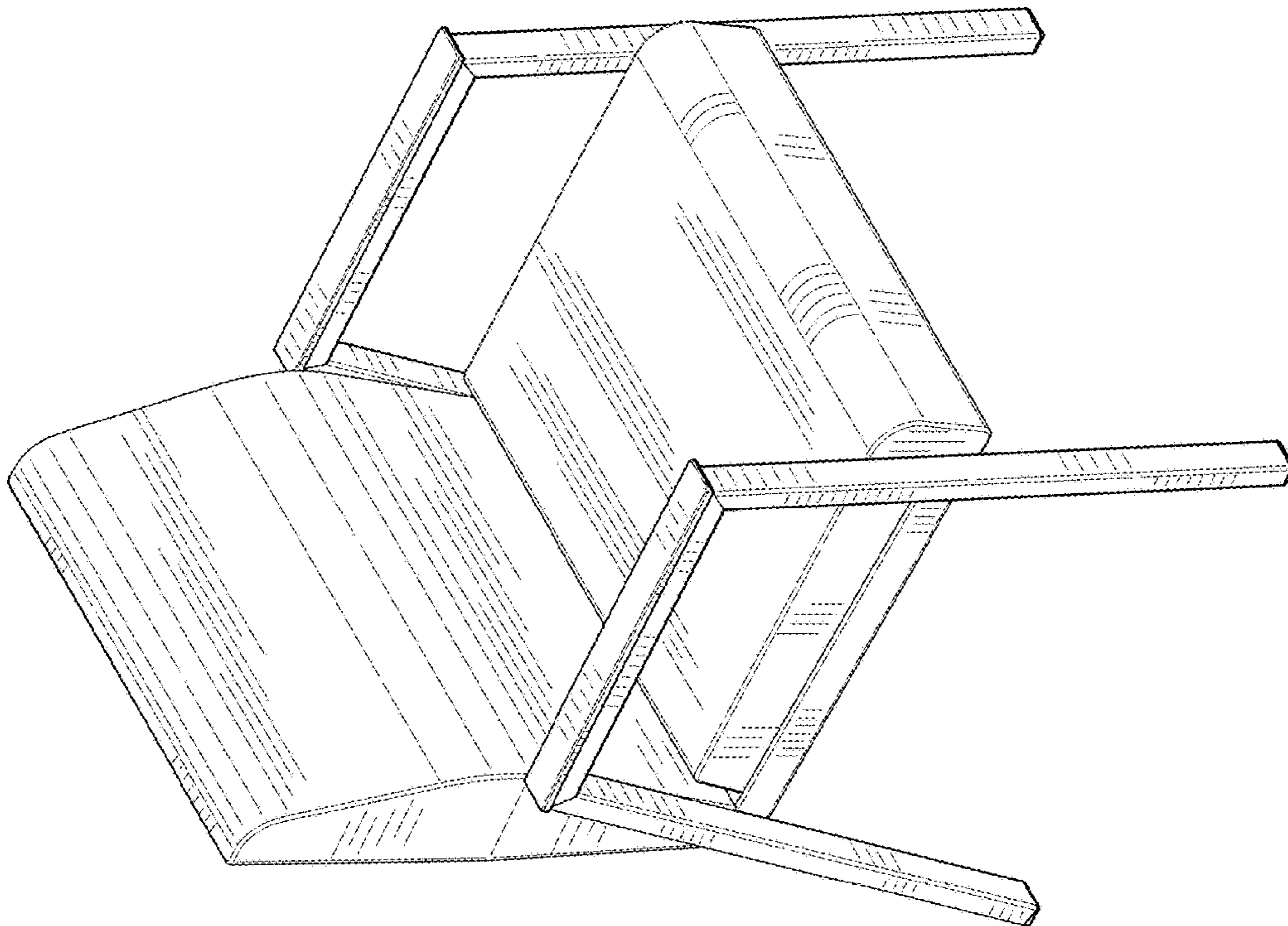


FIG. 1

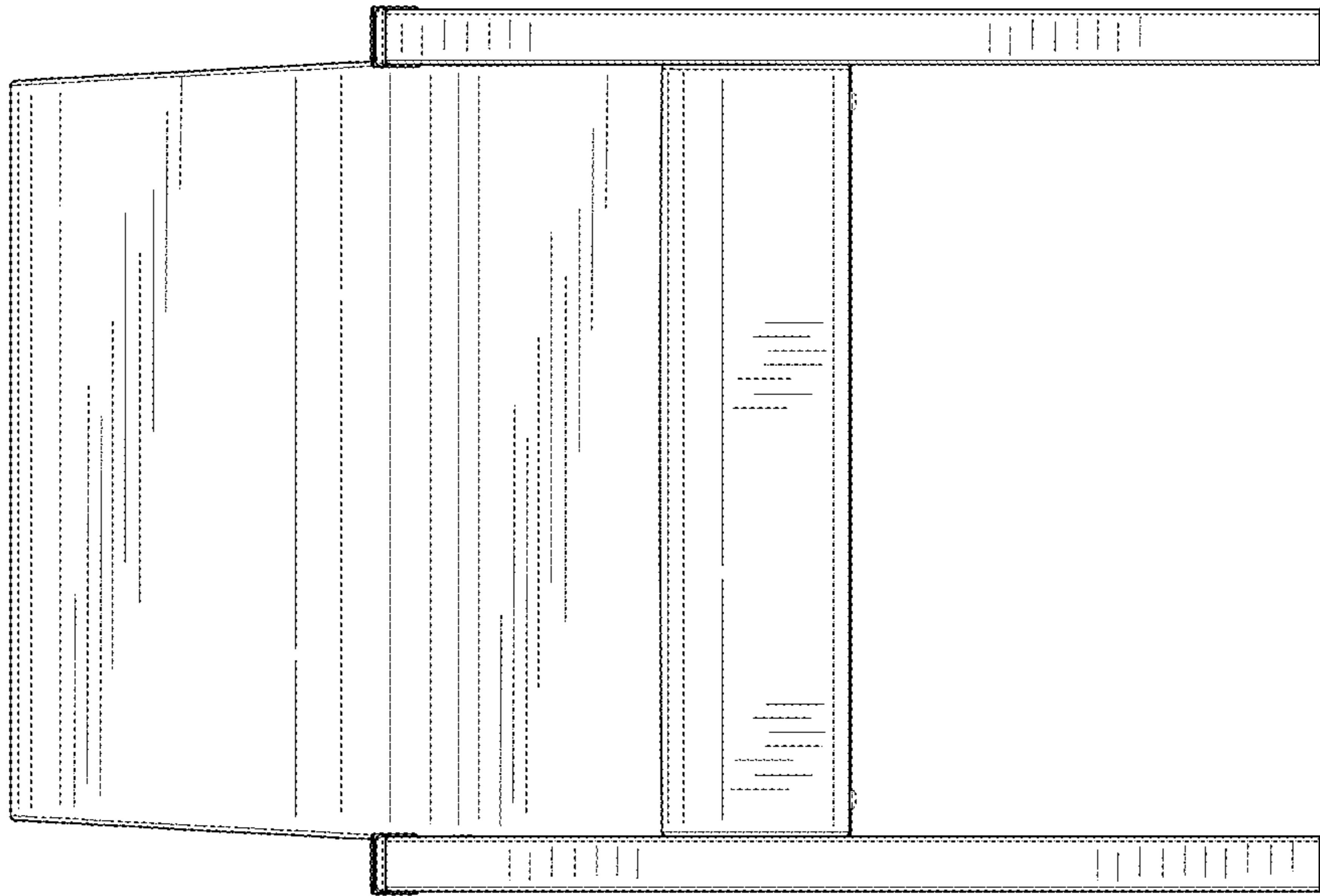


FIG. 4

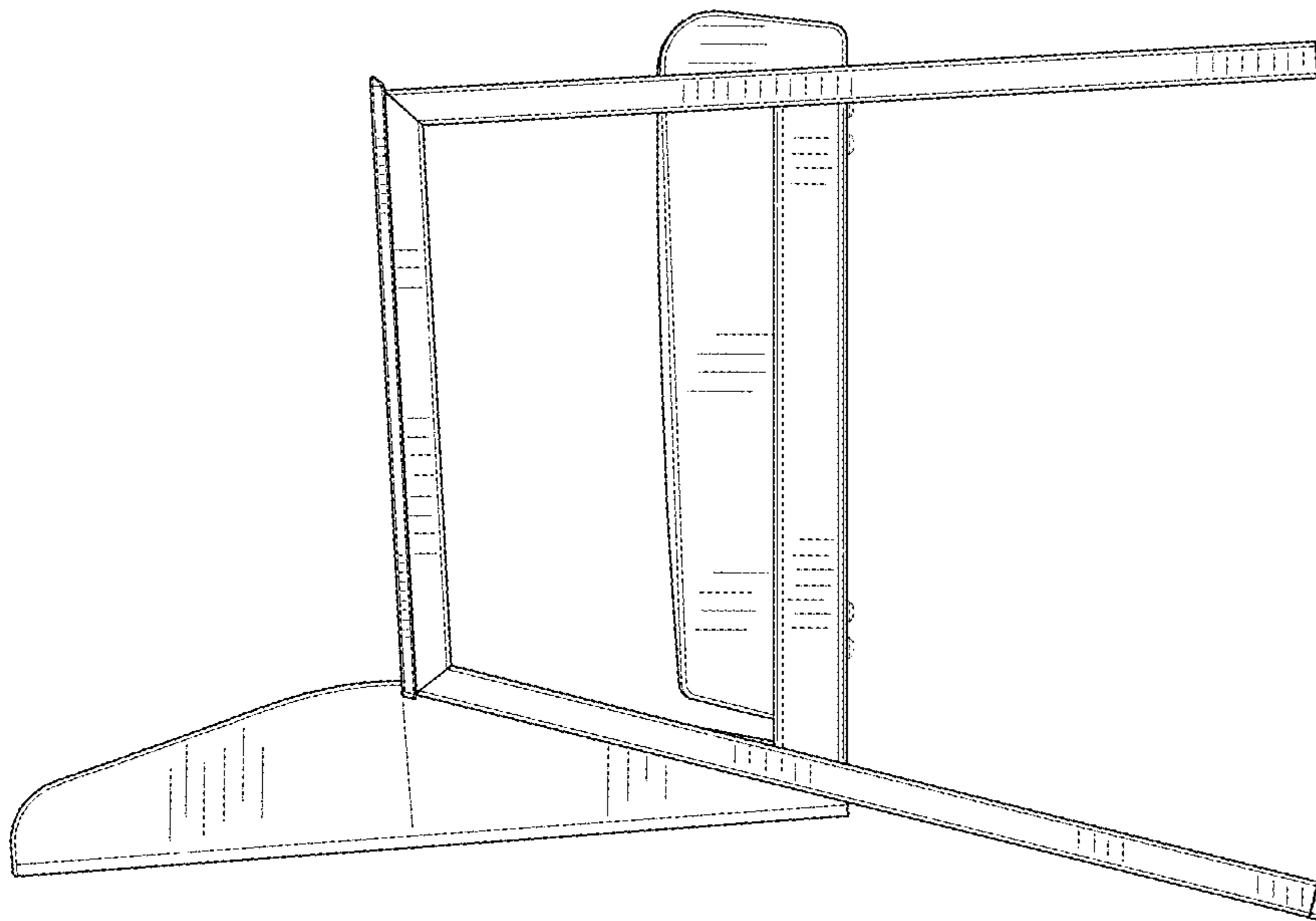


FIG. 3

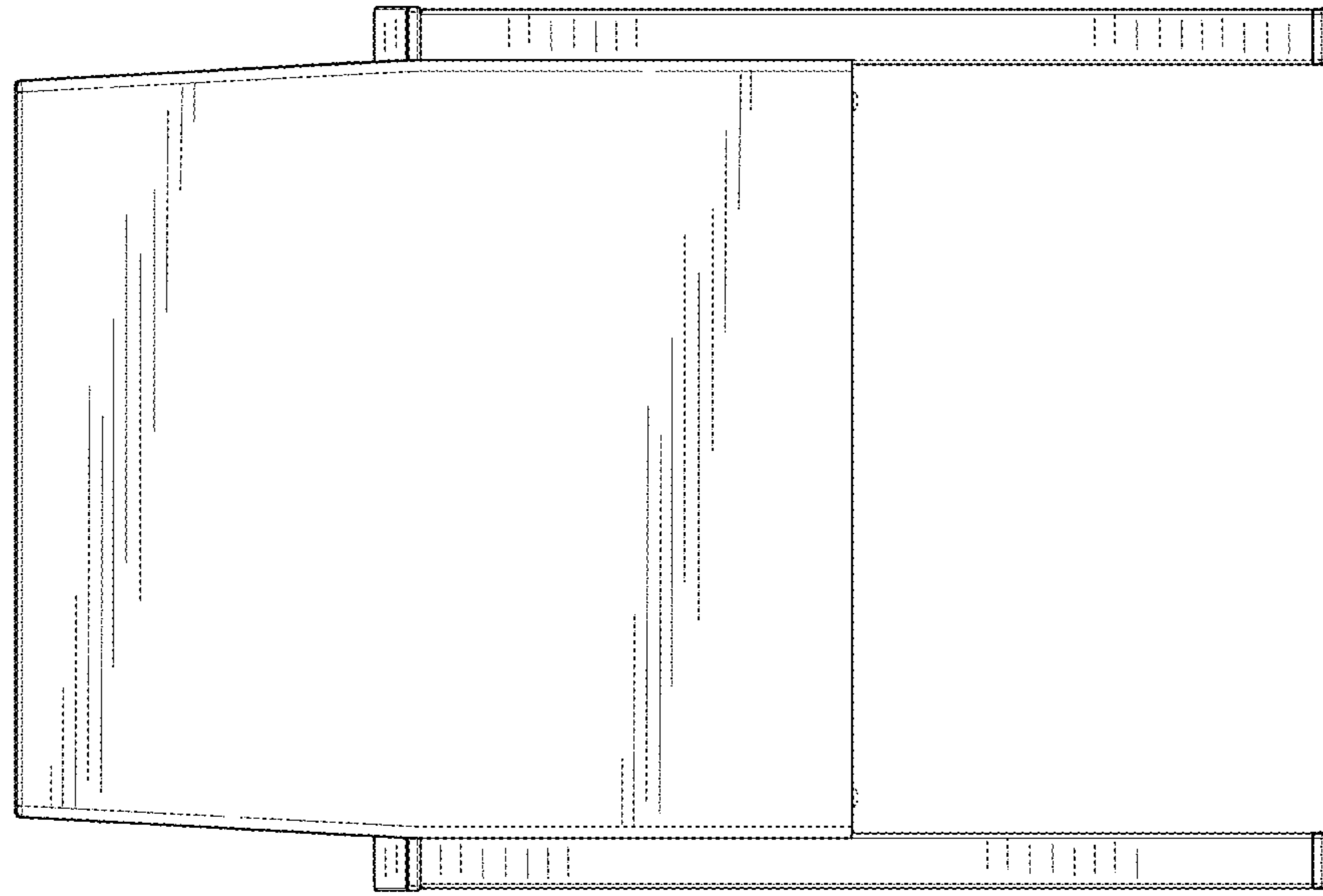


FIG. 5

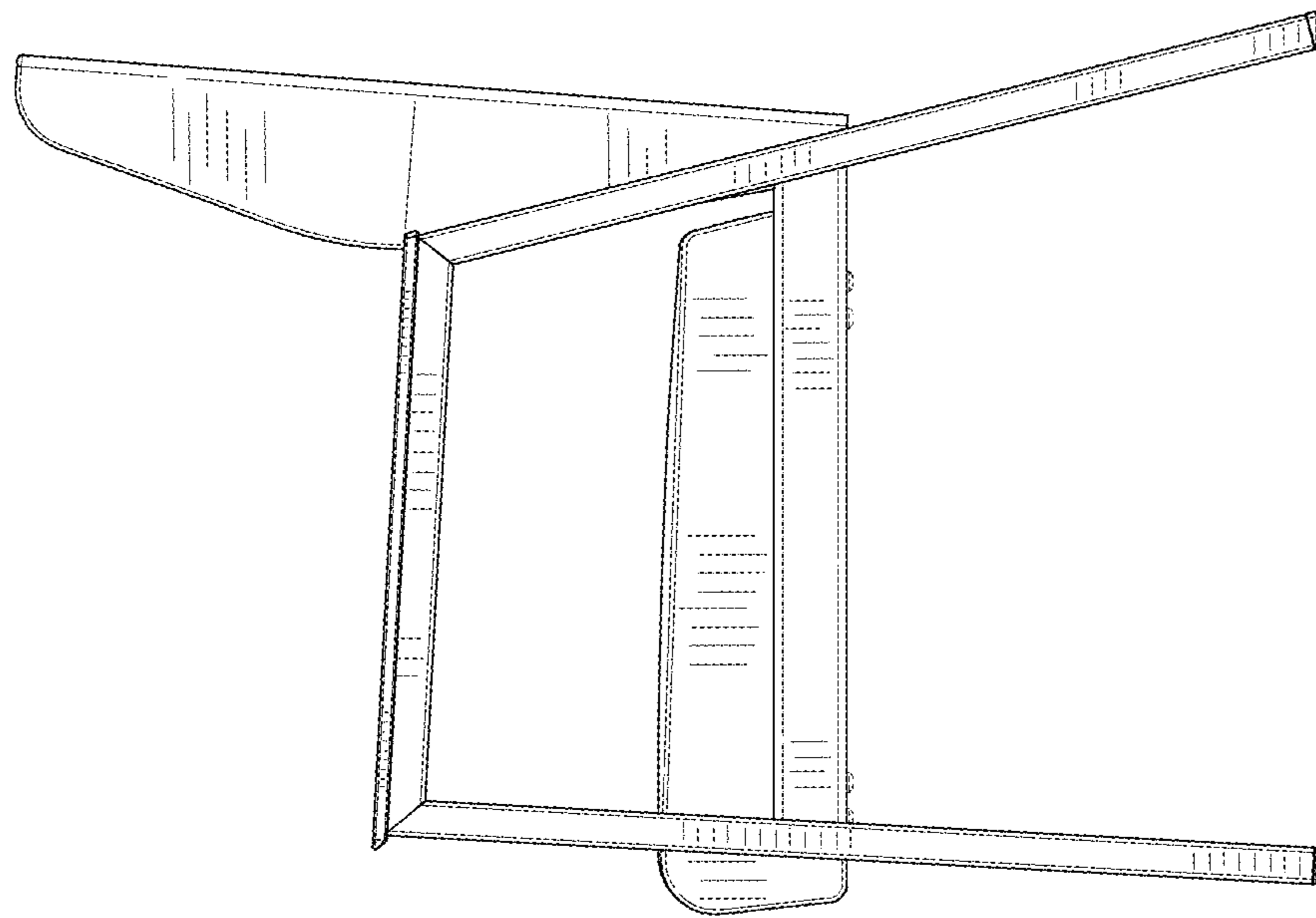


FIG. 6

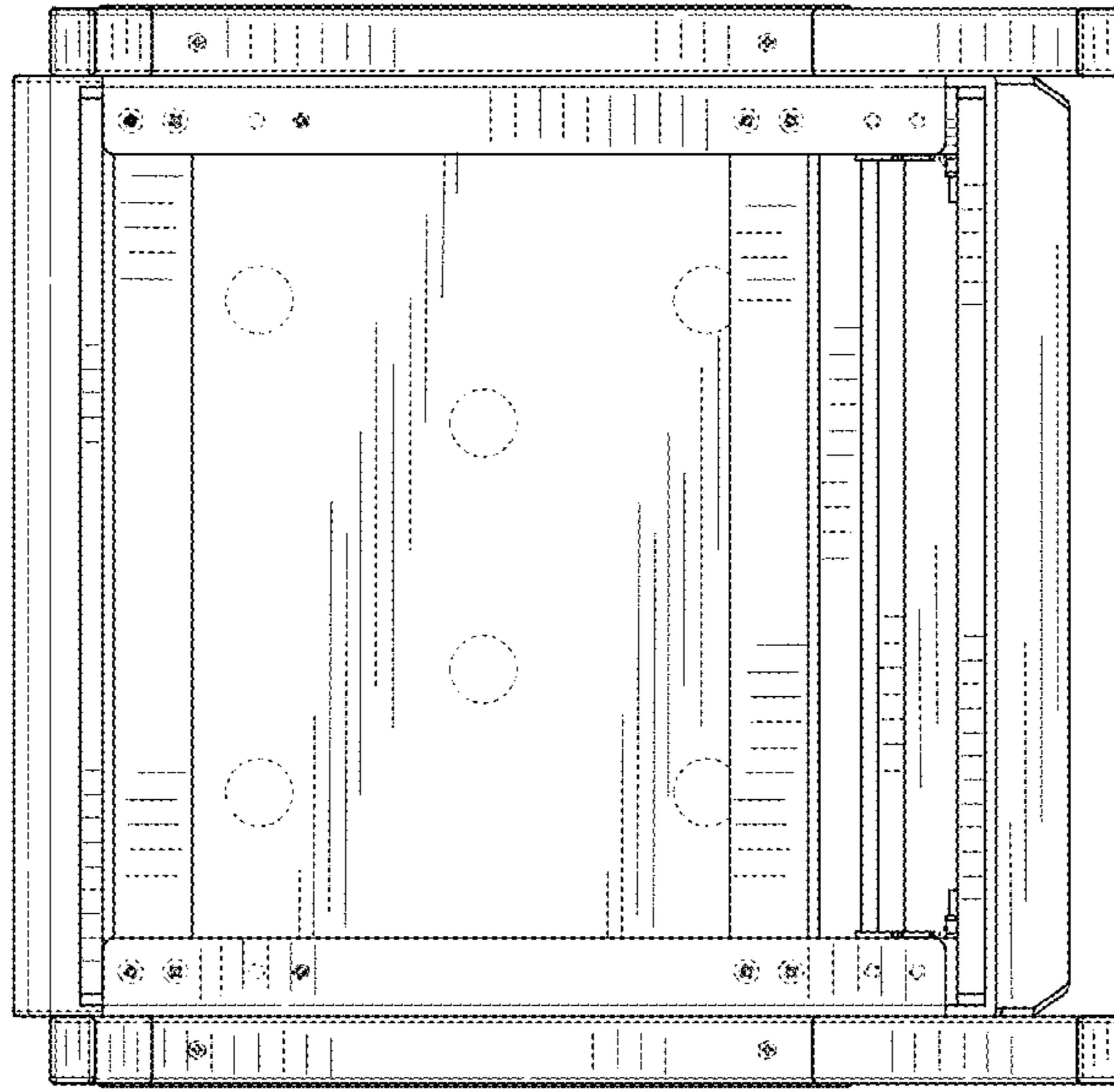


FIG. 7

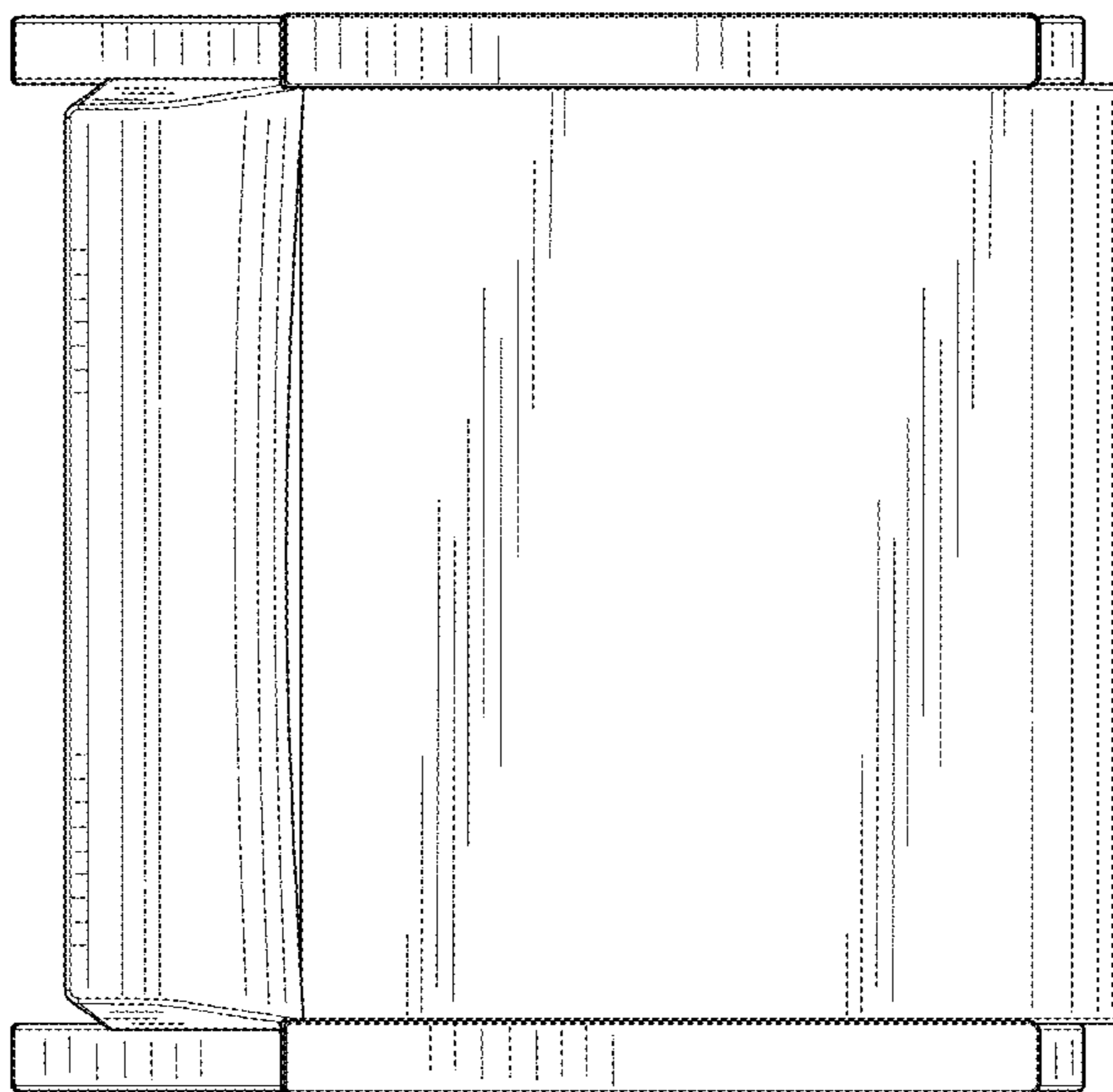


FIG. 8

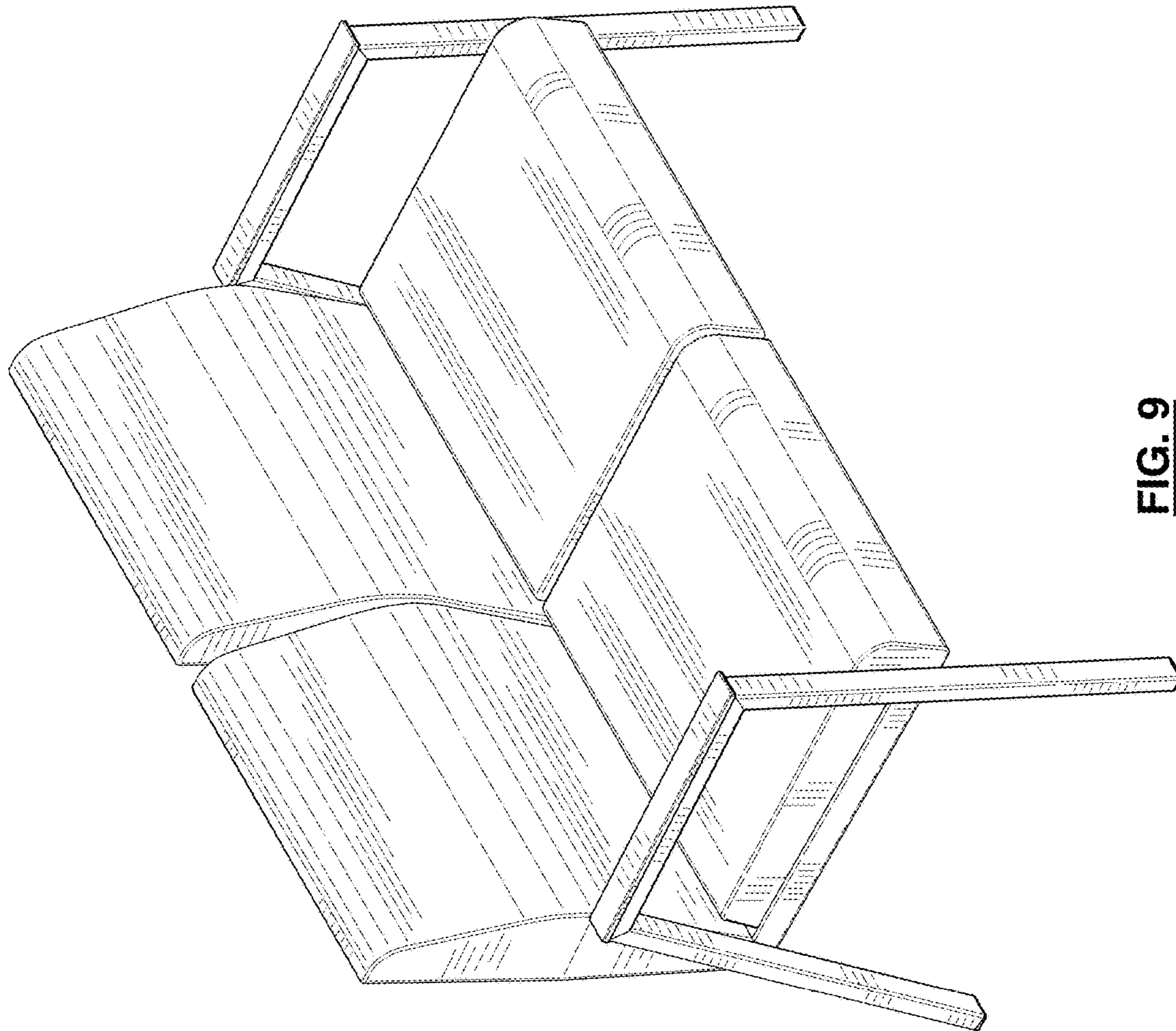


FIG. 9

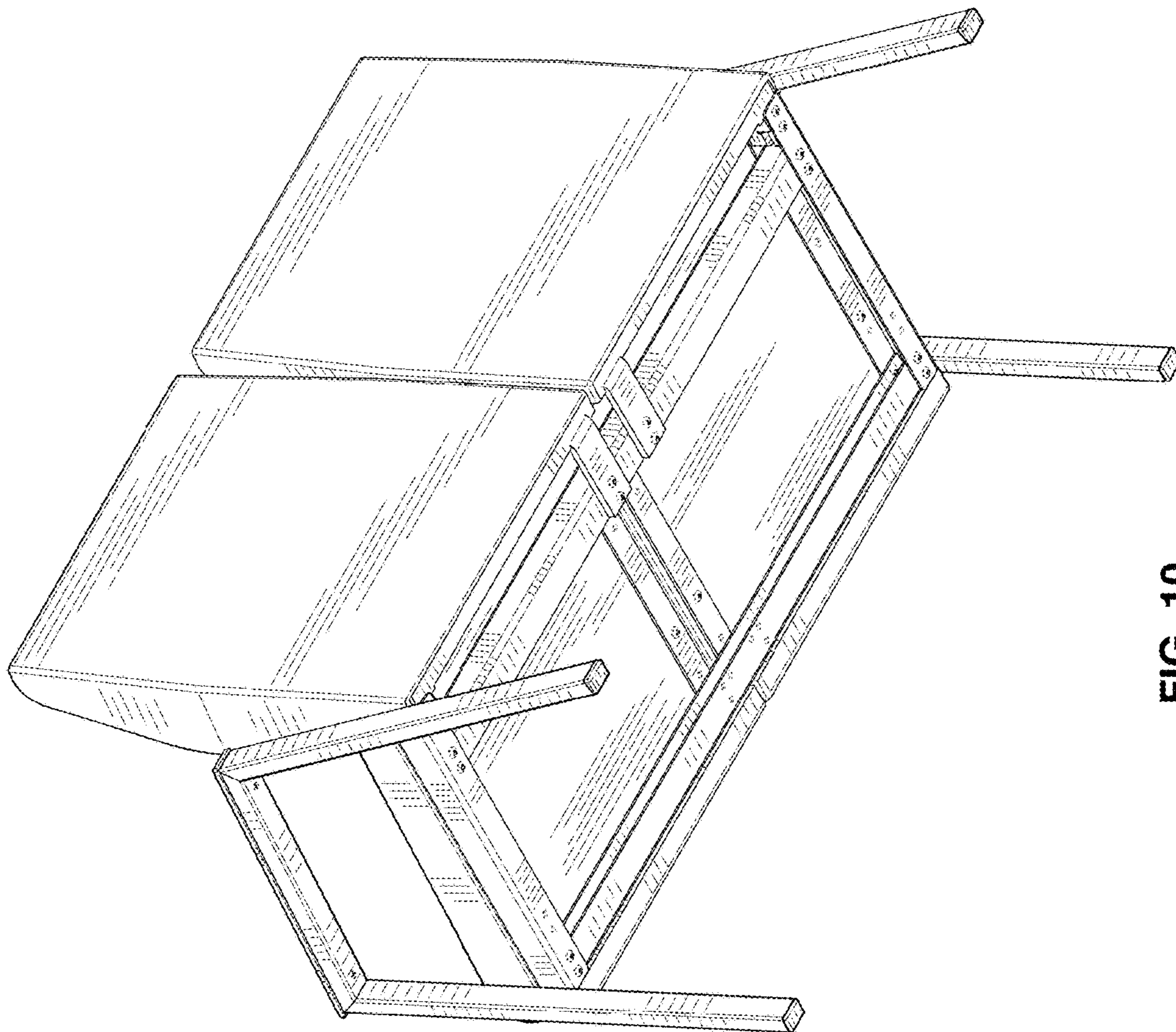


FIG. 10

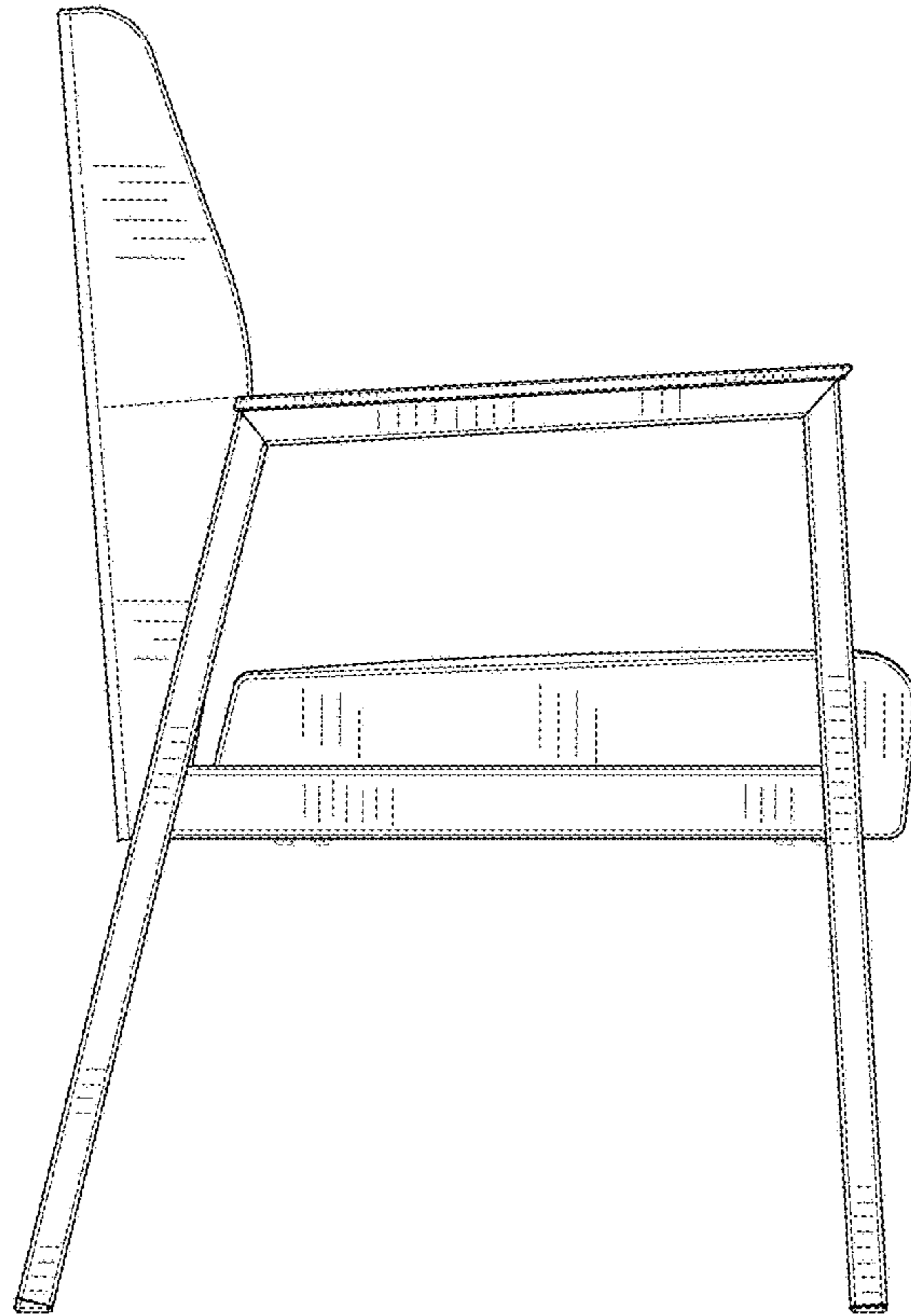


FIG. 11

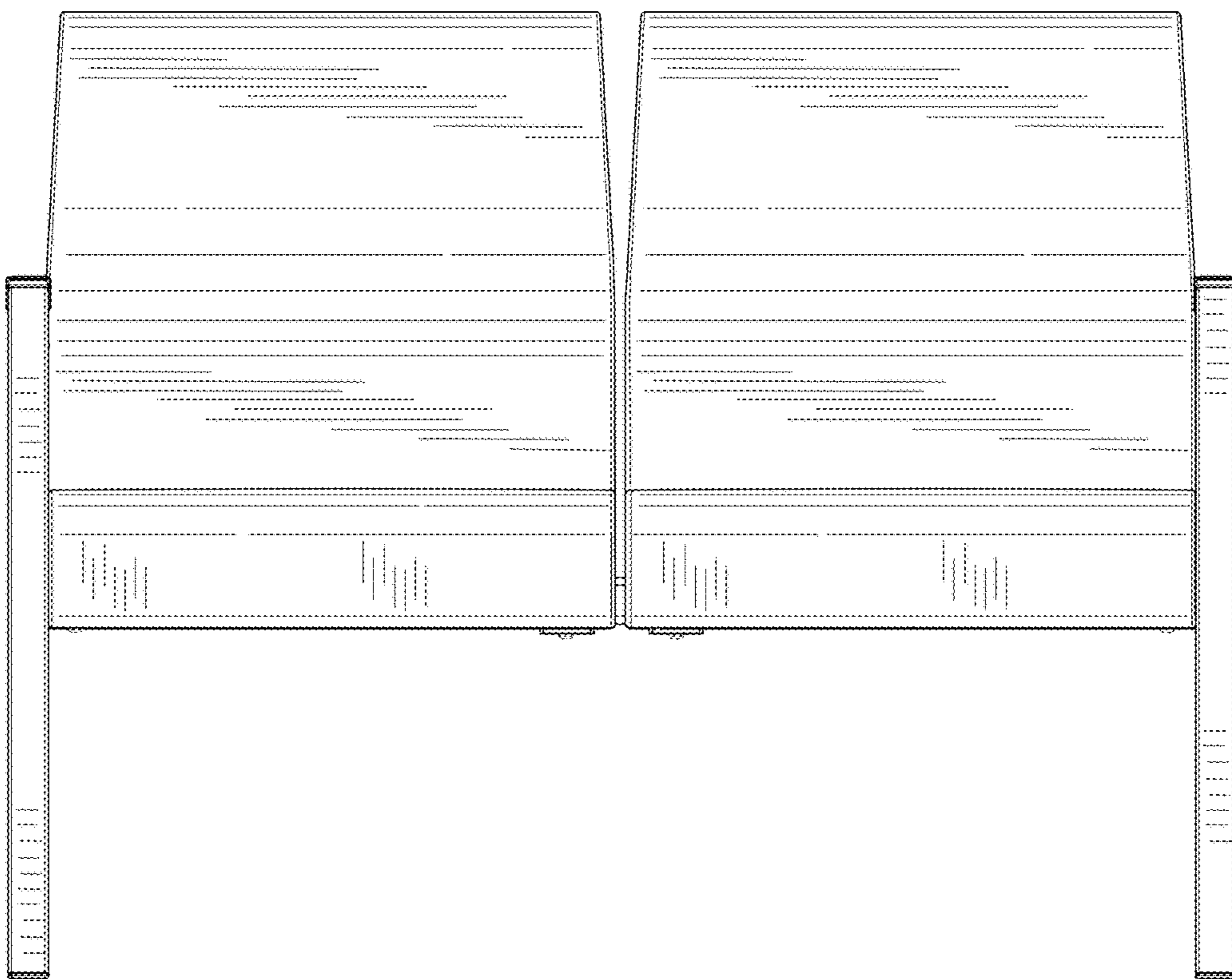


FIG. 12

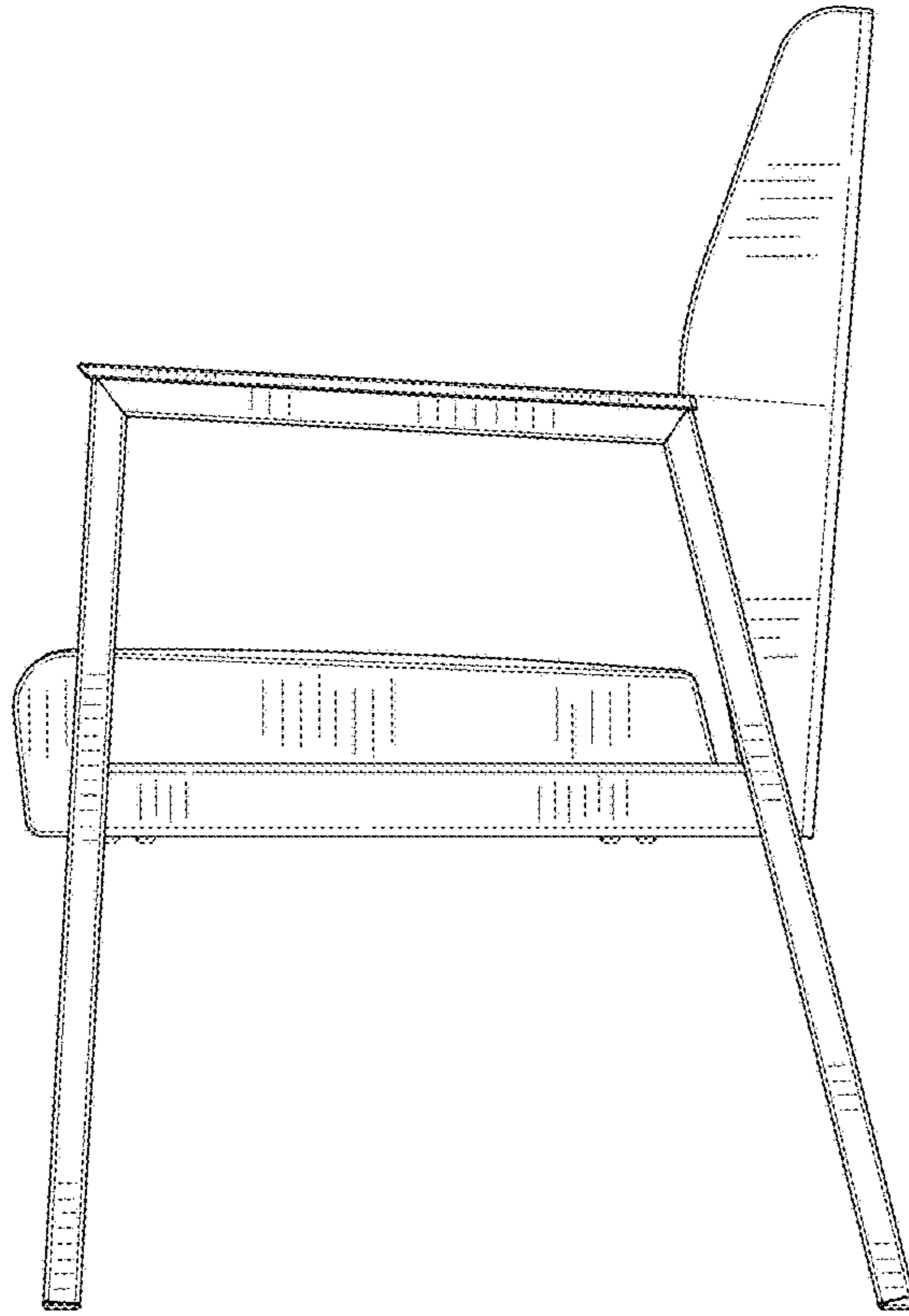


FIG. 13

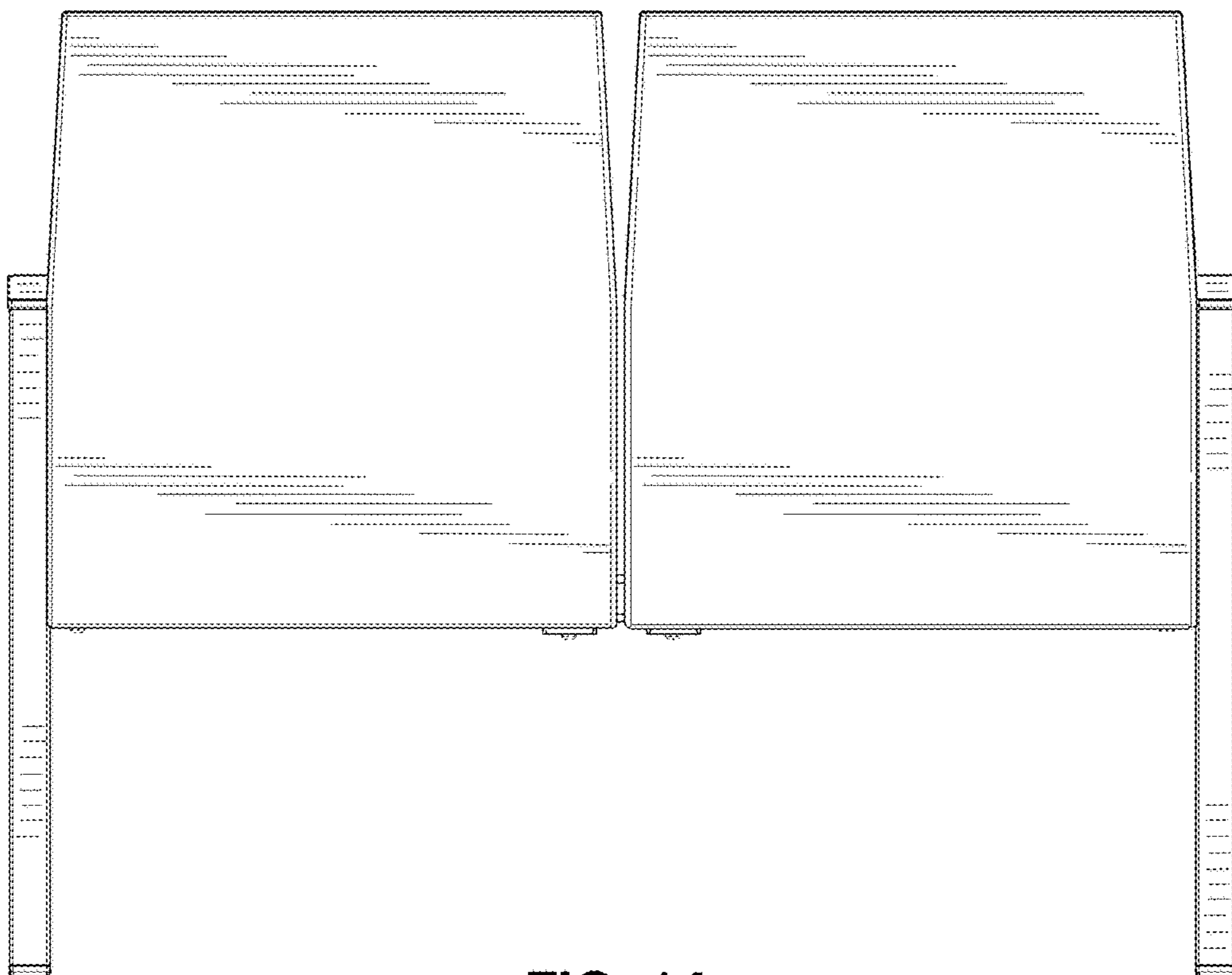


FIG. 14

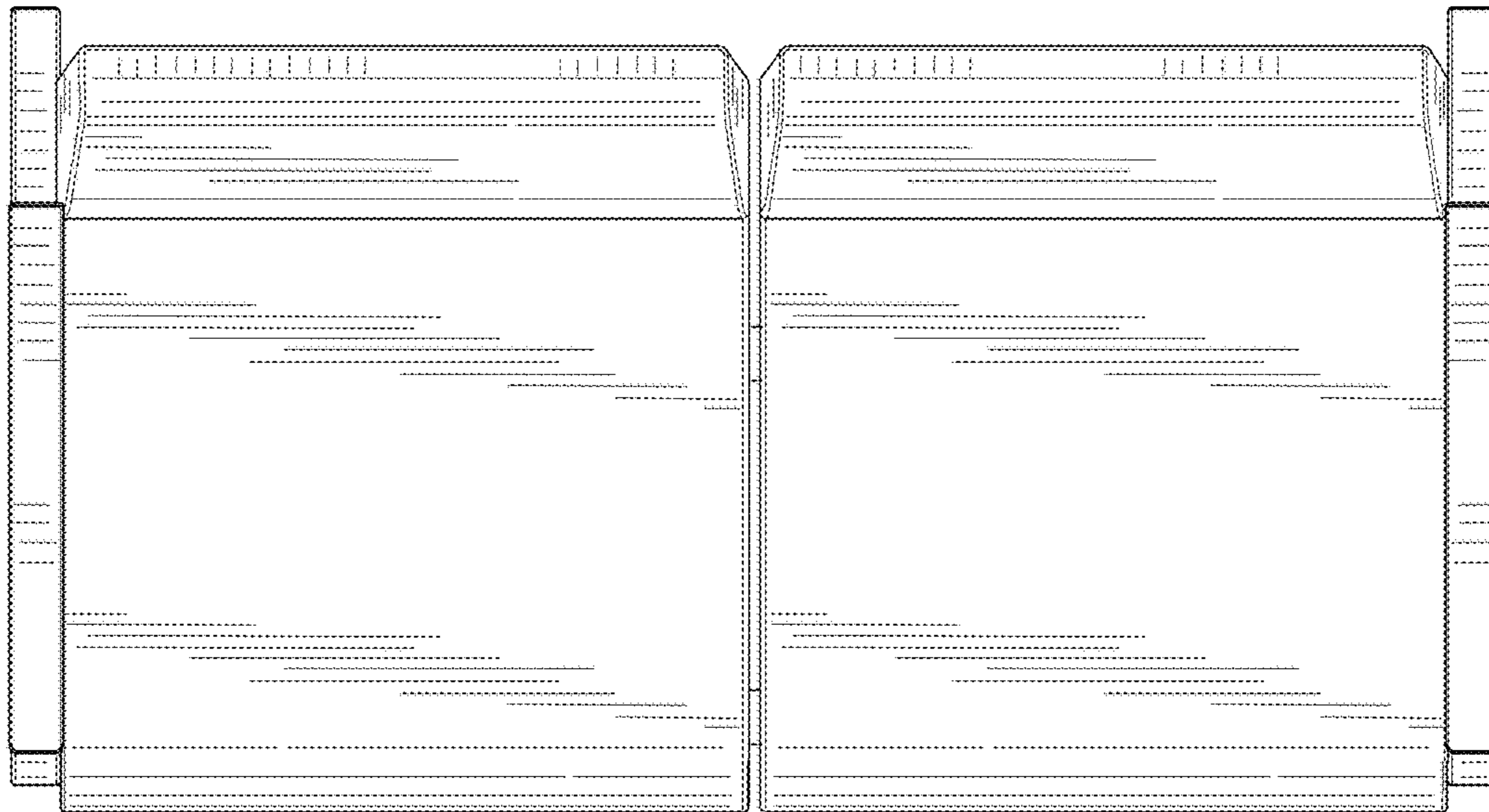


FIG. 15

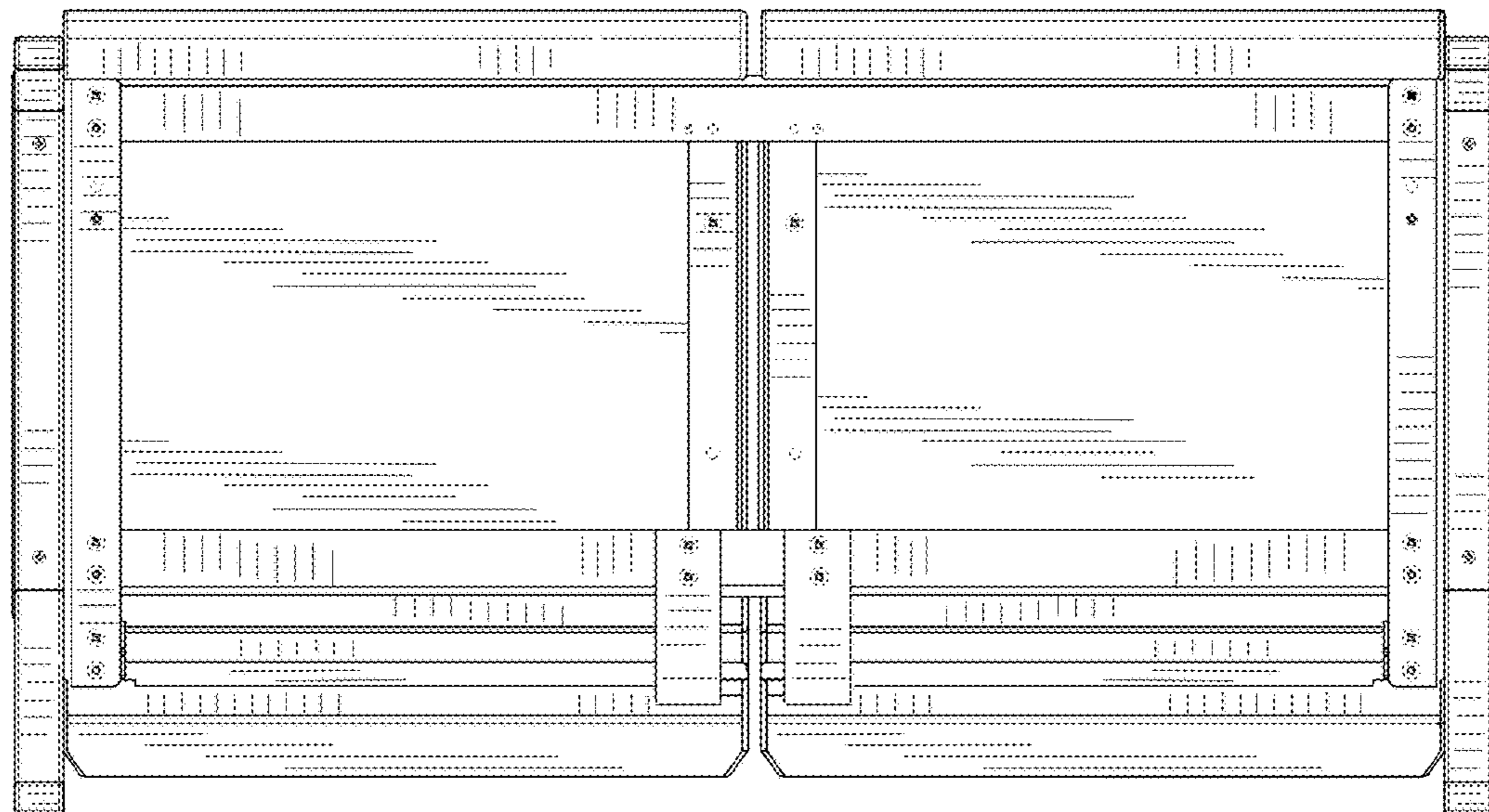


FIG. 16

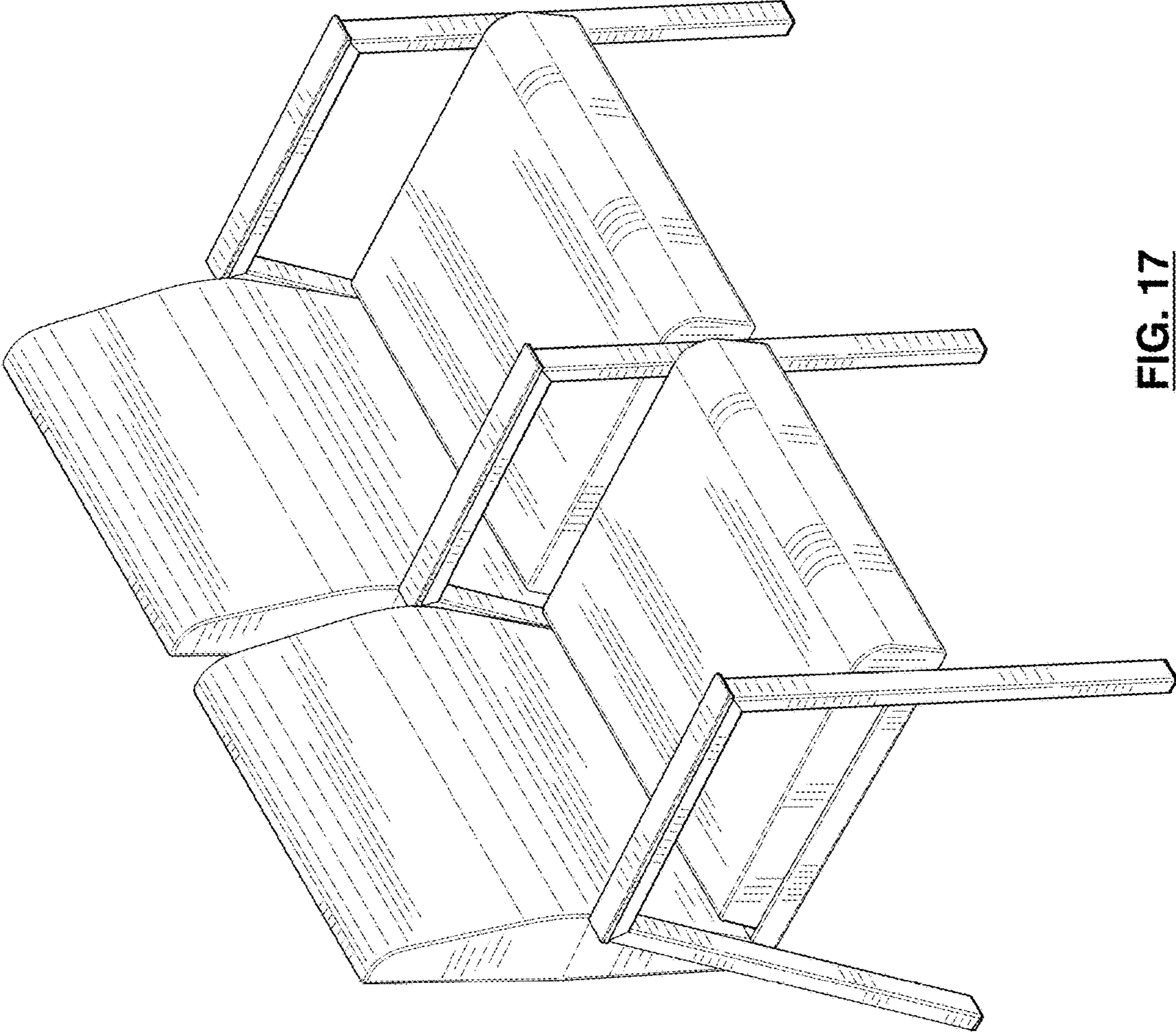


FIG. 17

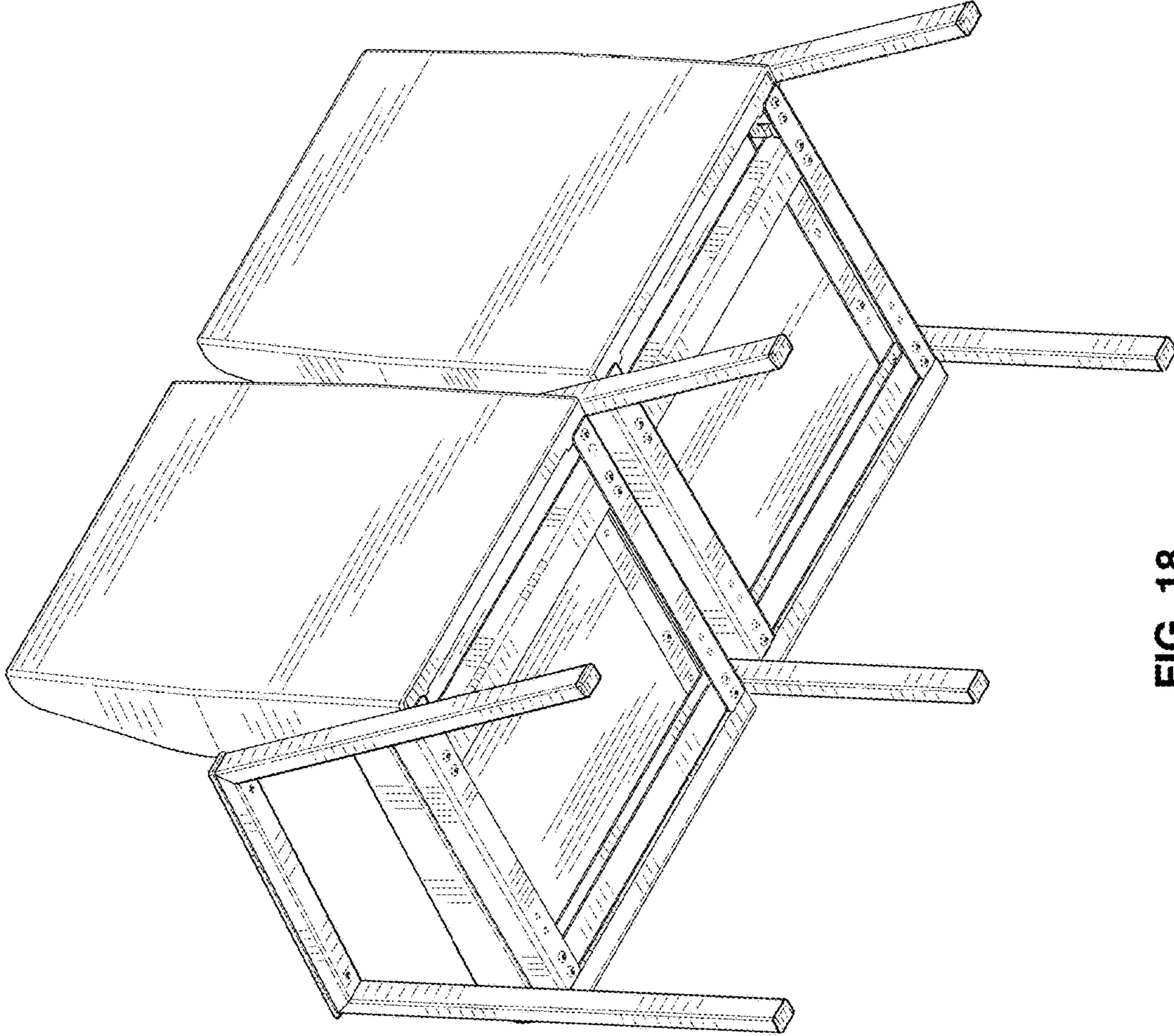


FIG. 18

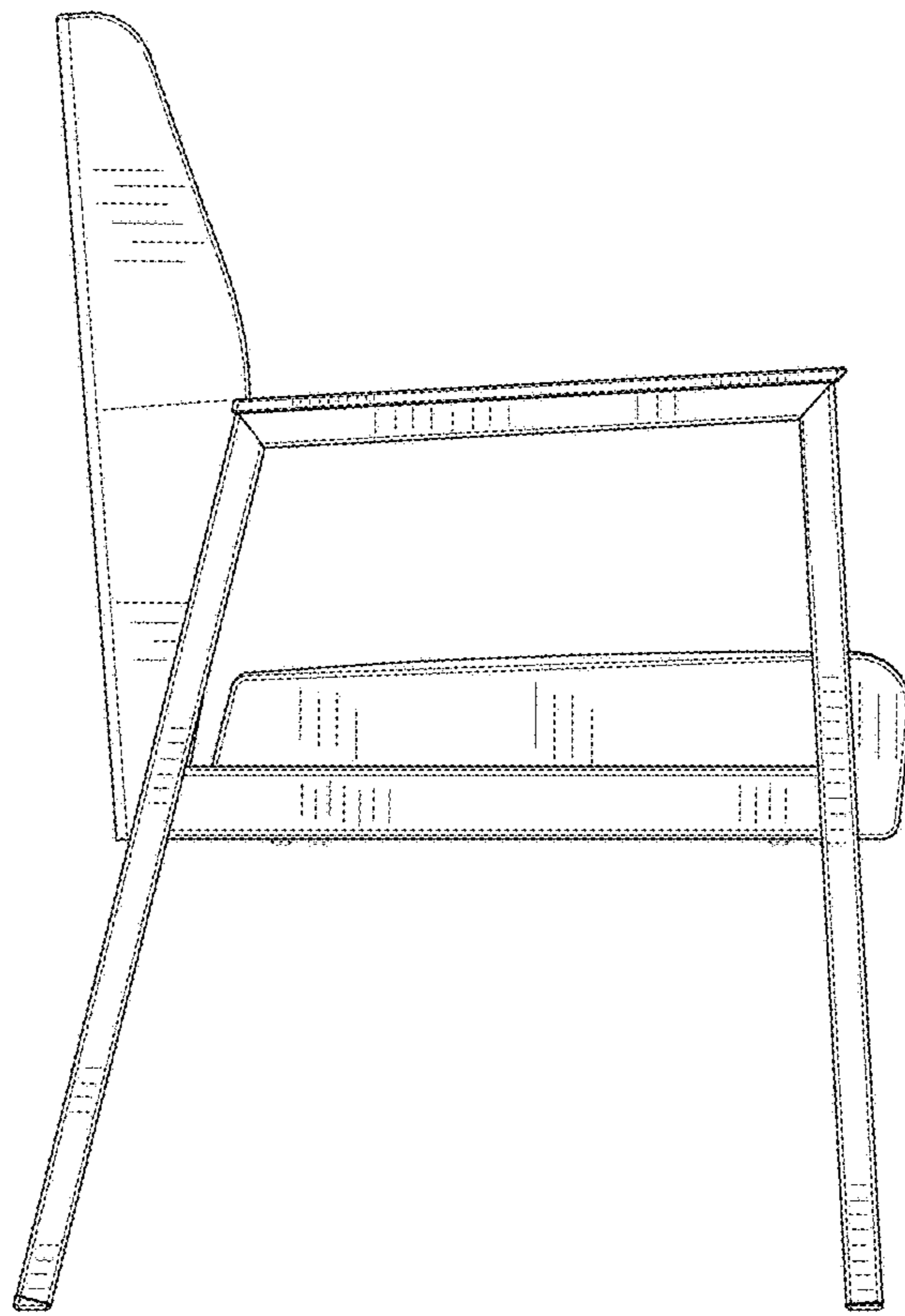


FIG. 19

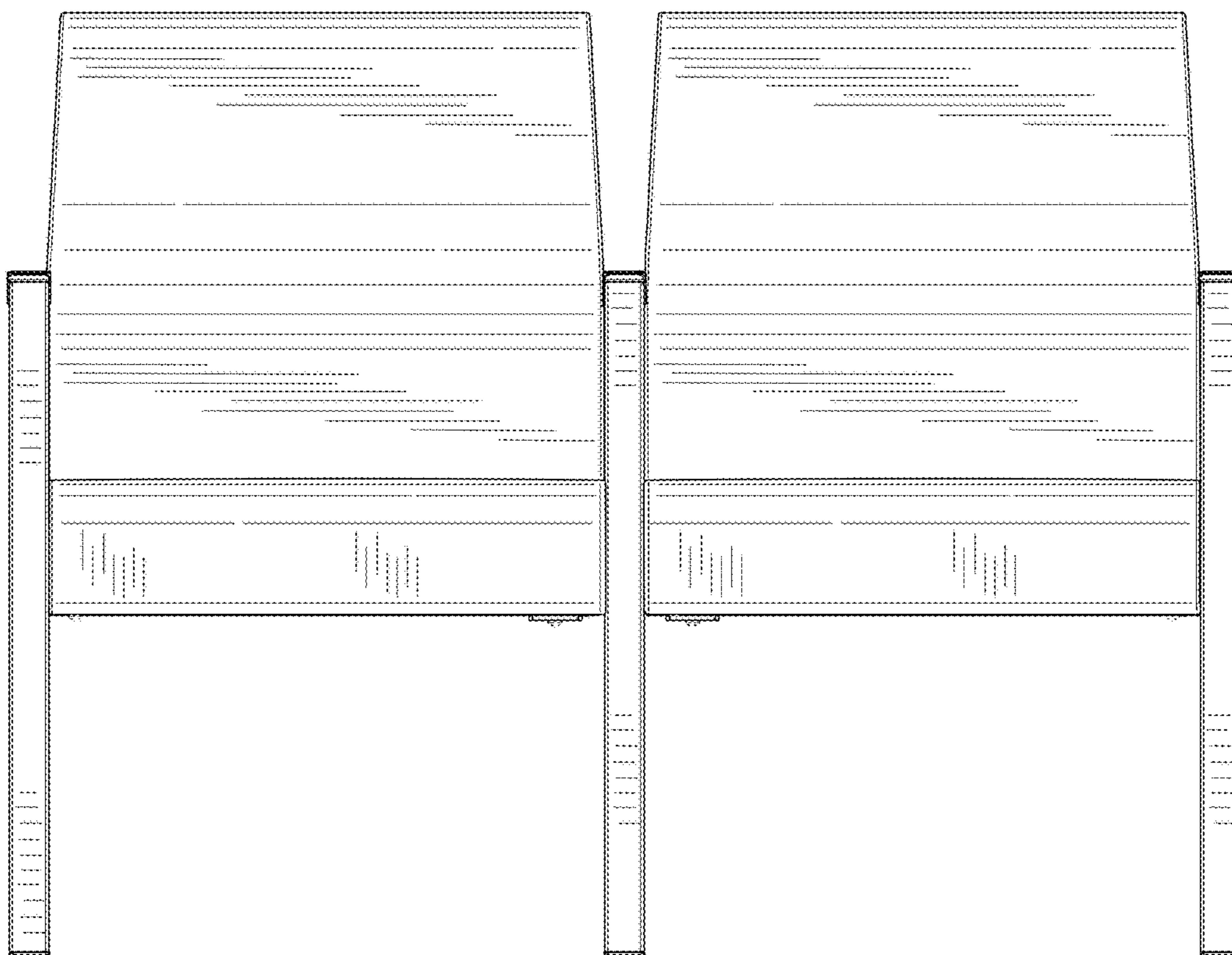


FIG. 20

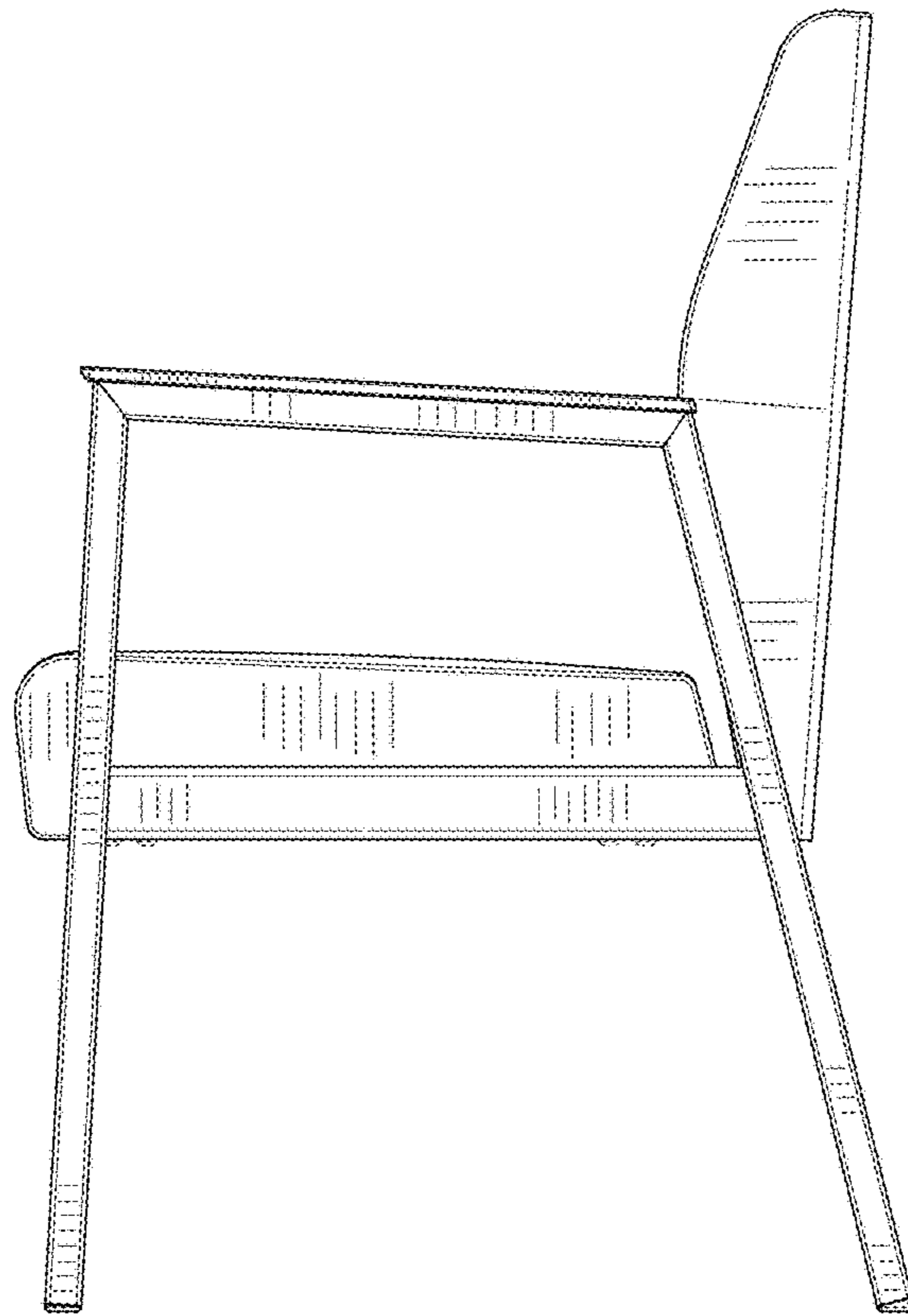


FIG. 21

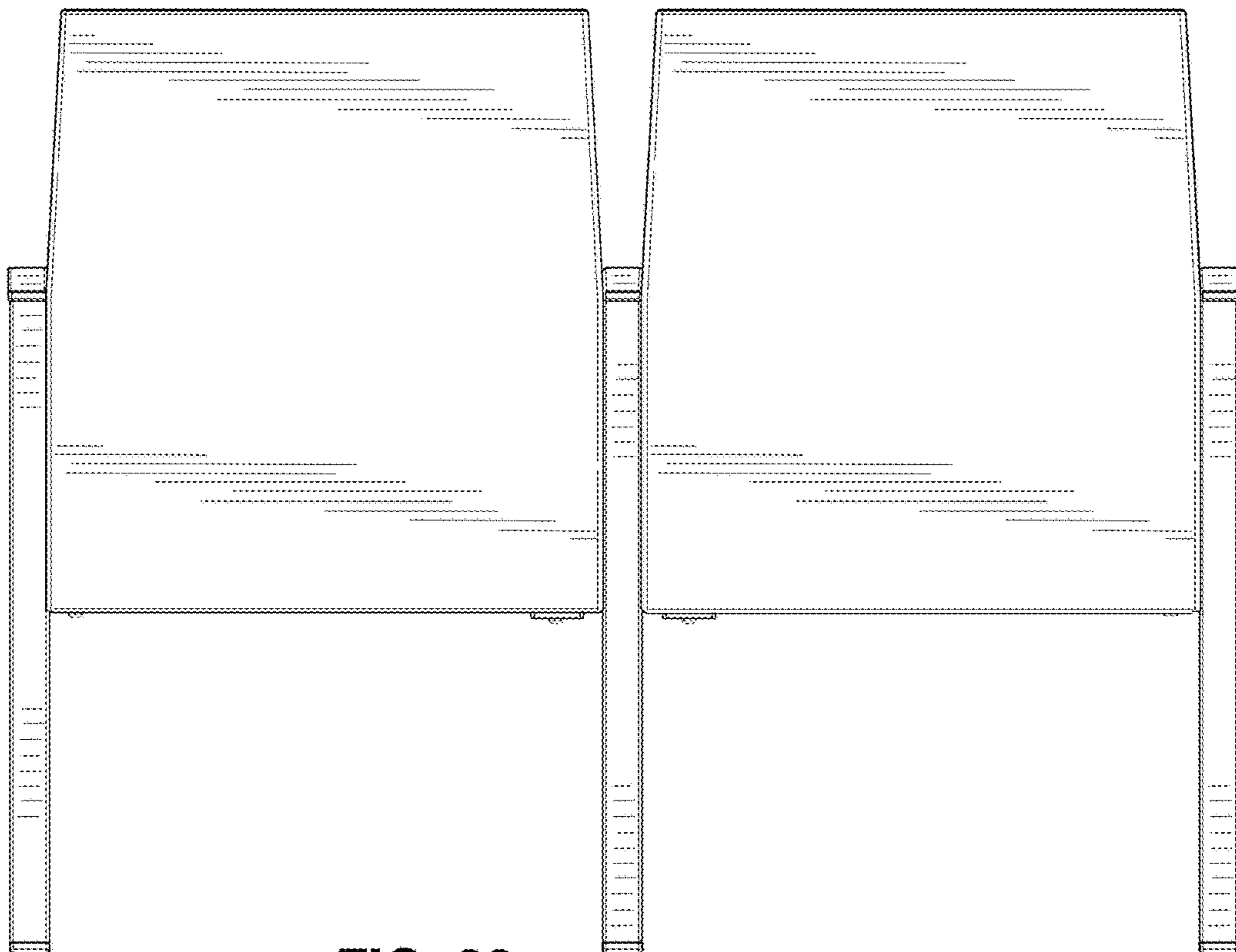


FIG. 22

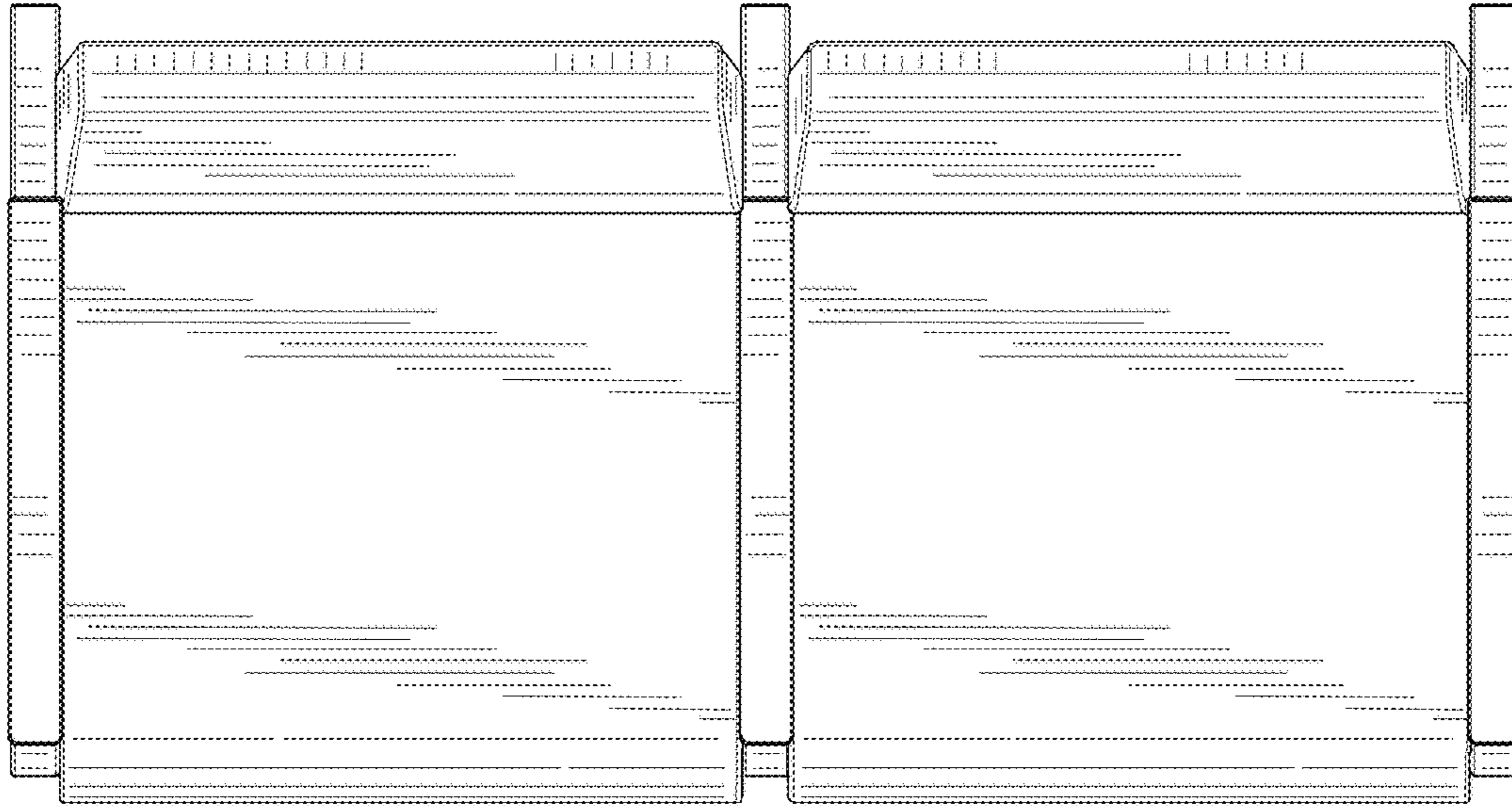


FIG. 23

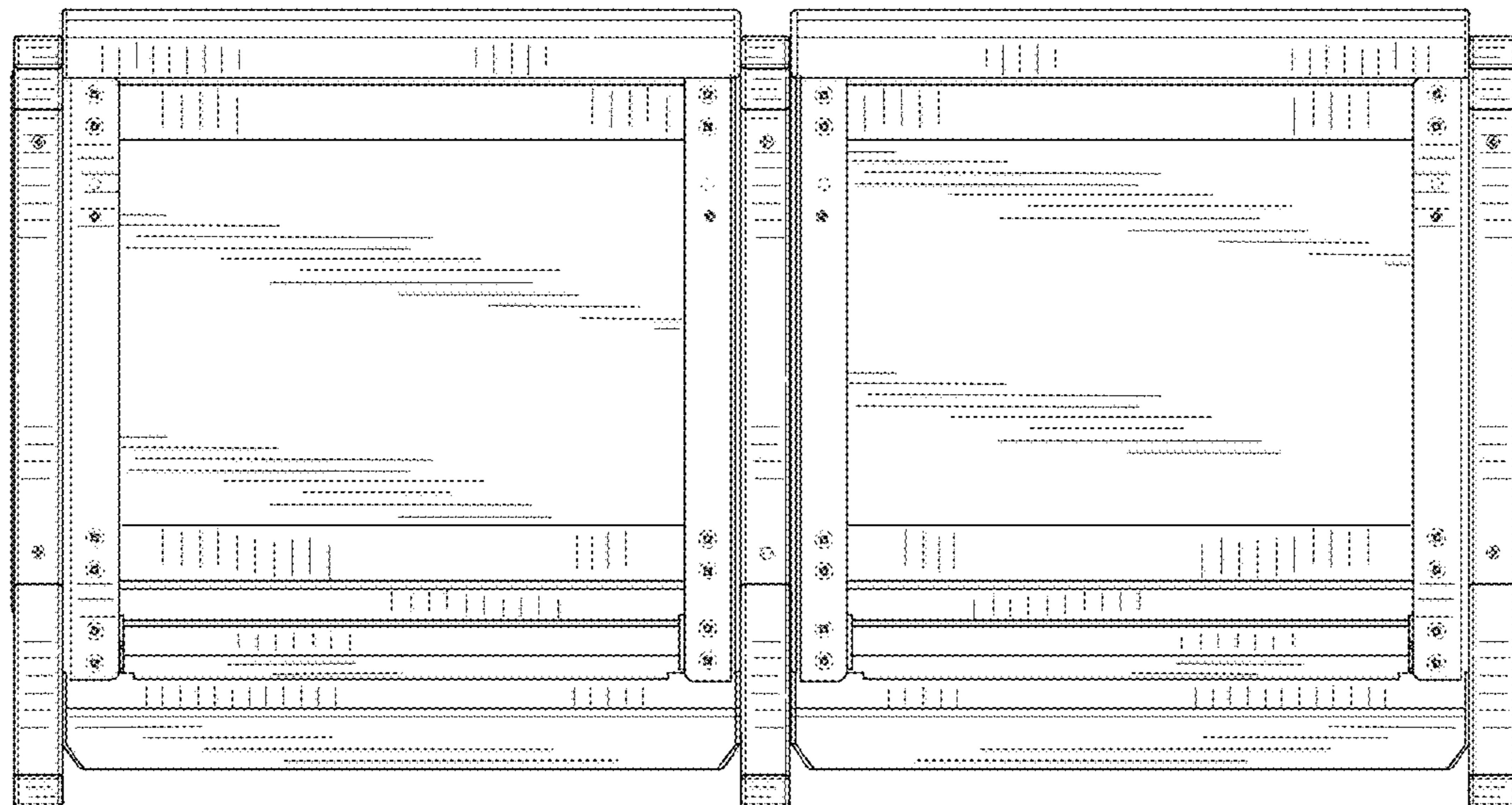


FIG. 24

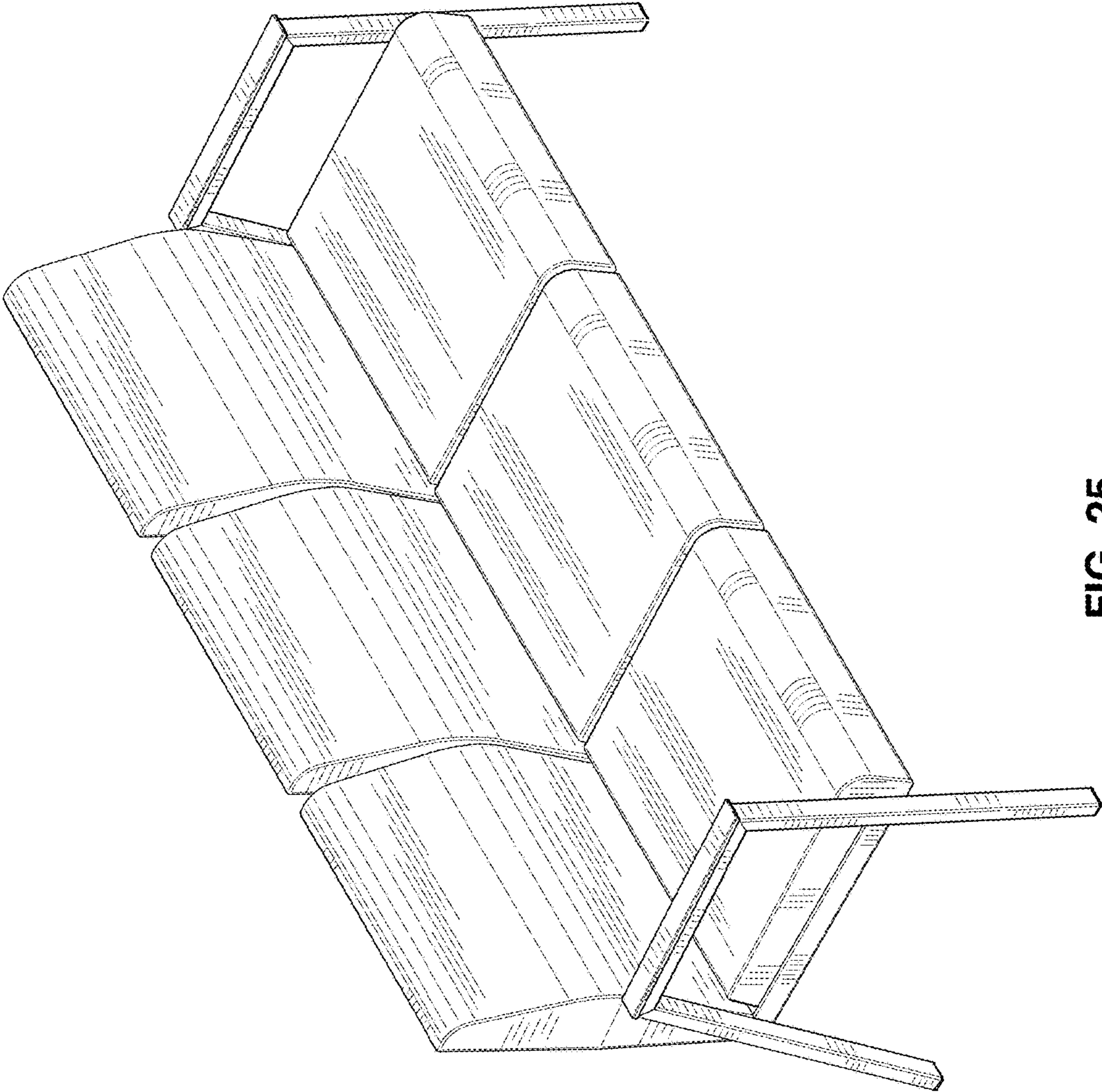


FIG. 25

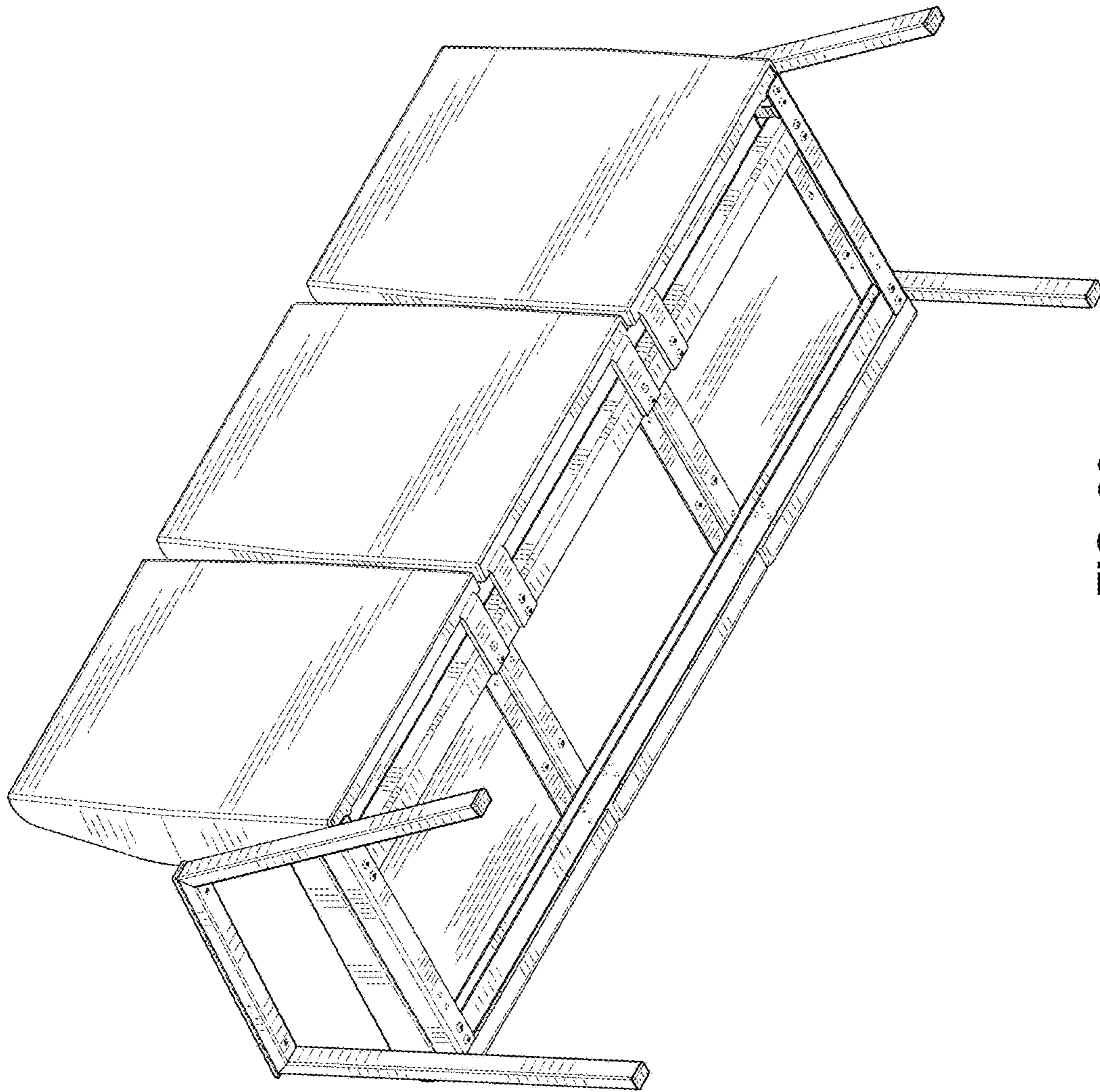


FIG. 26

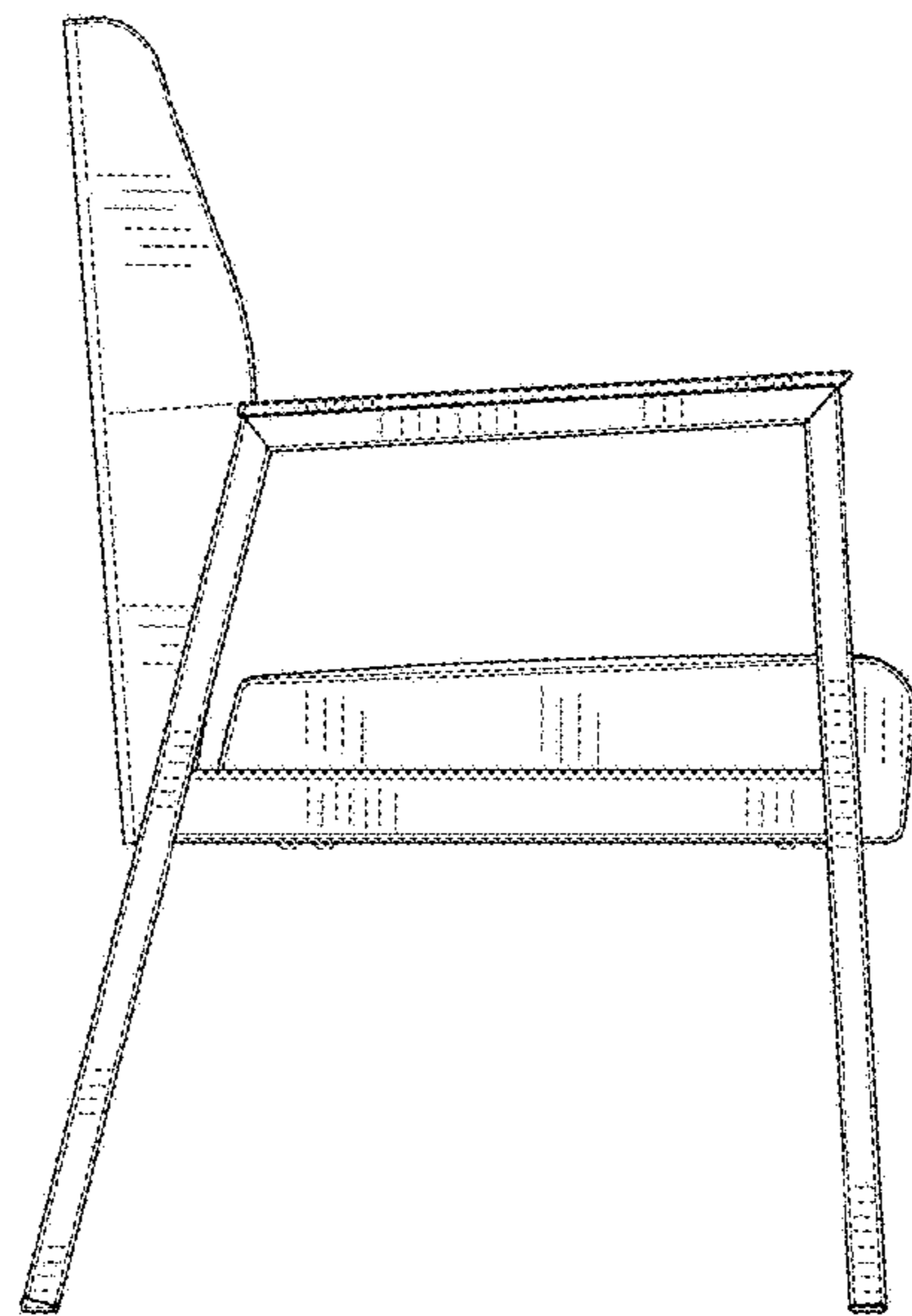


FIG. 27

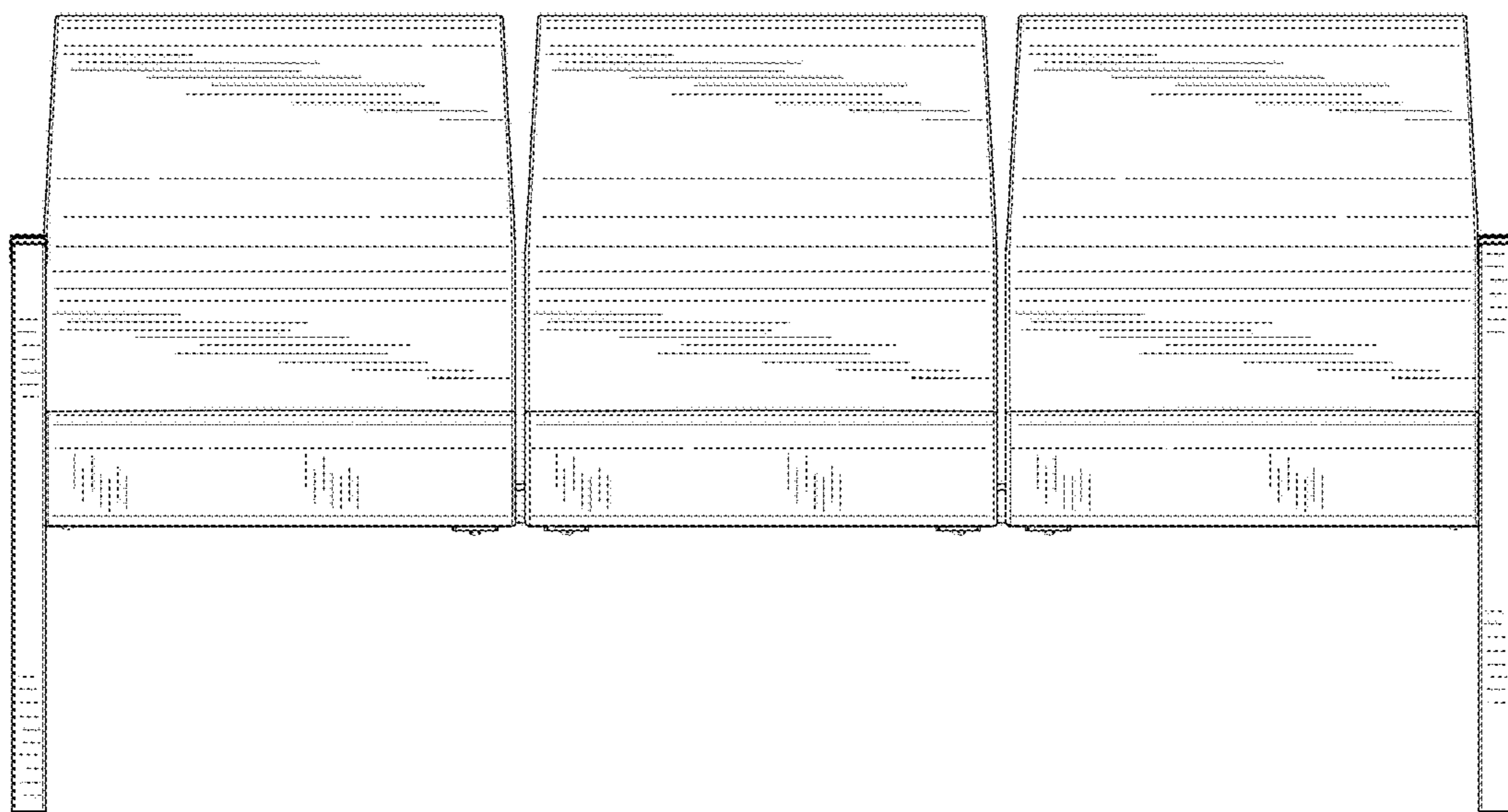


FIG. 28

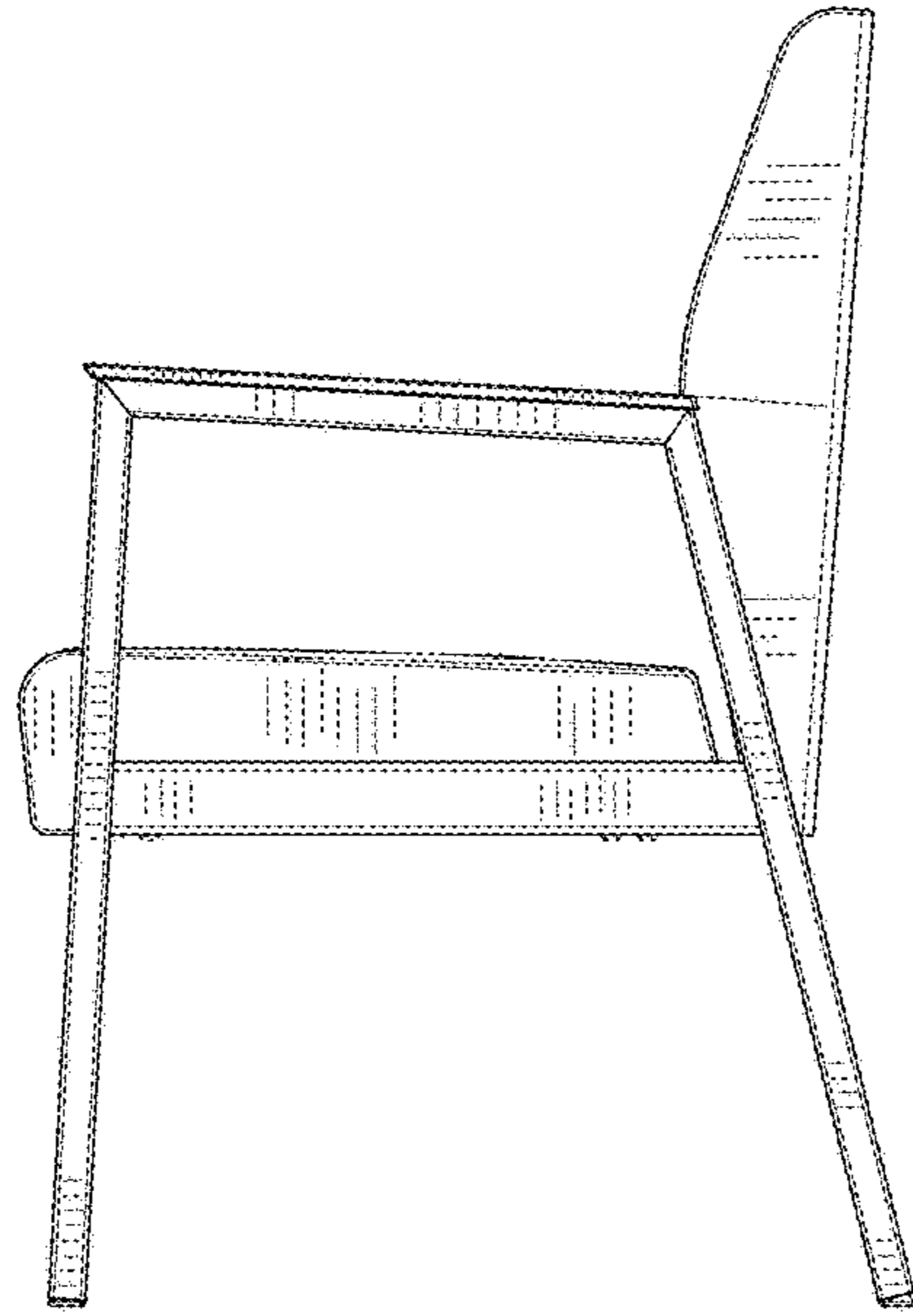


FIG. 29

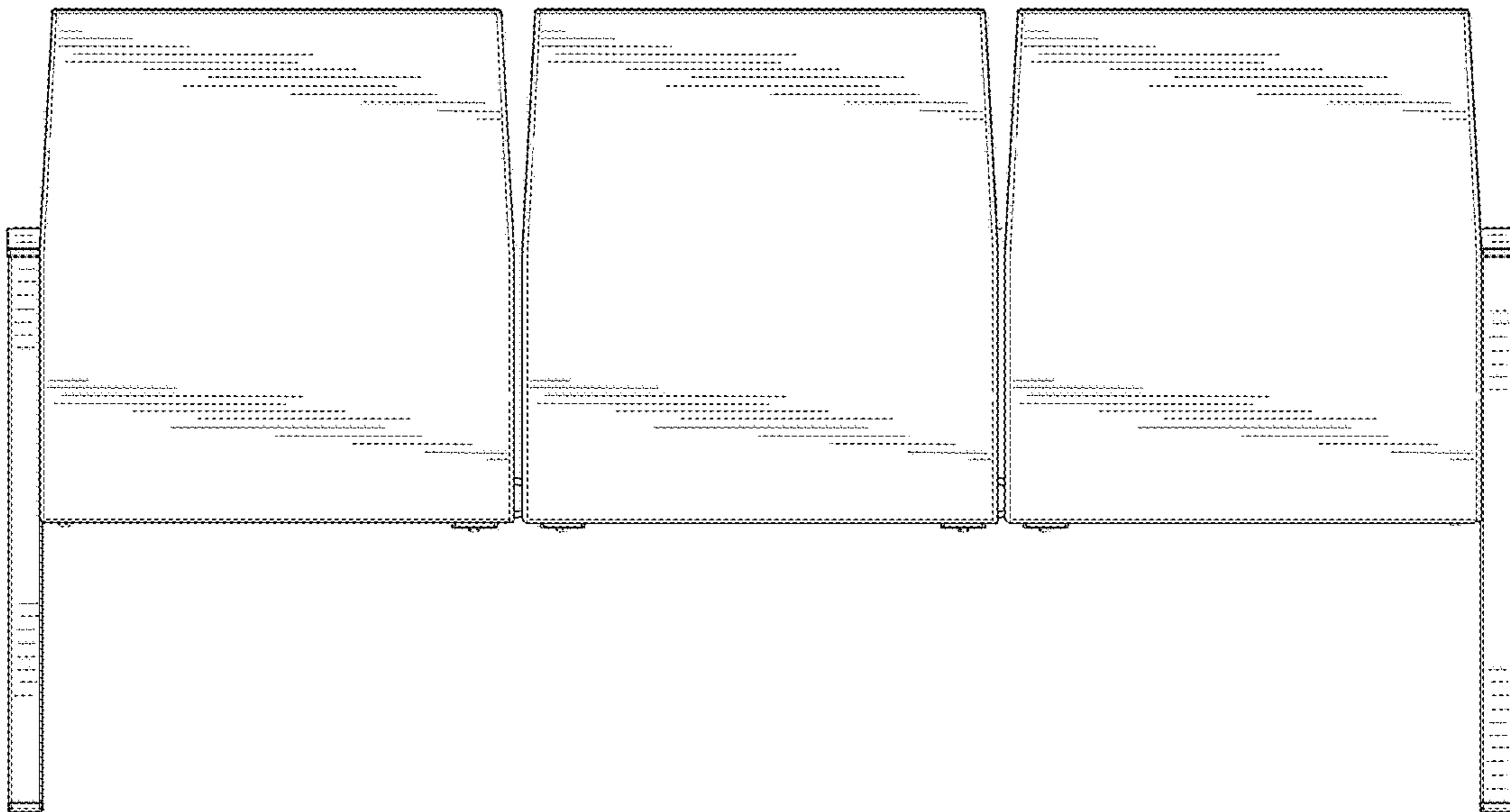


FIG. 30

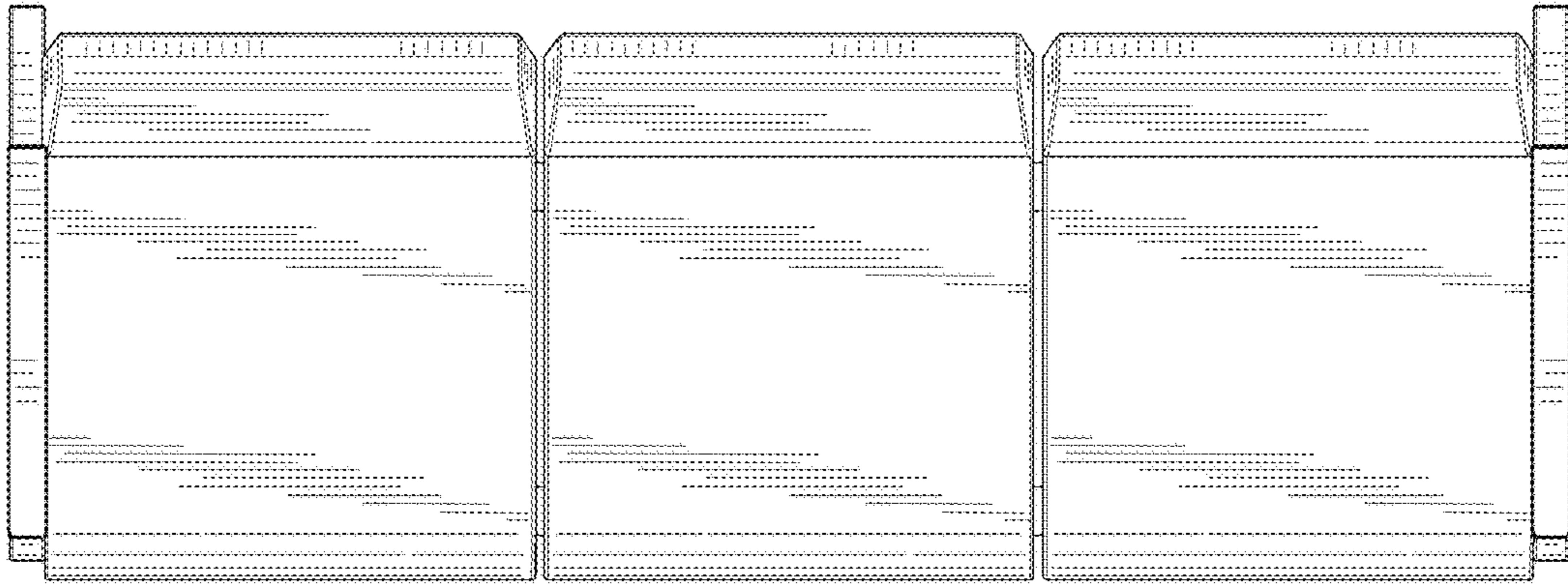


FIG. 31

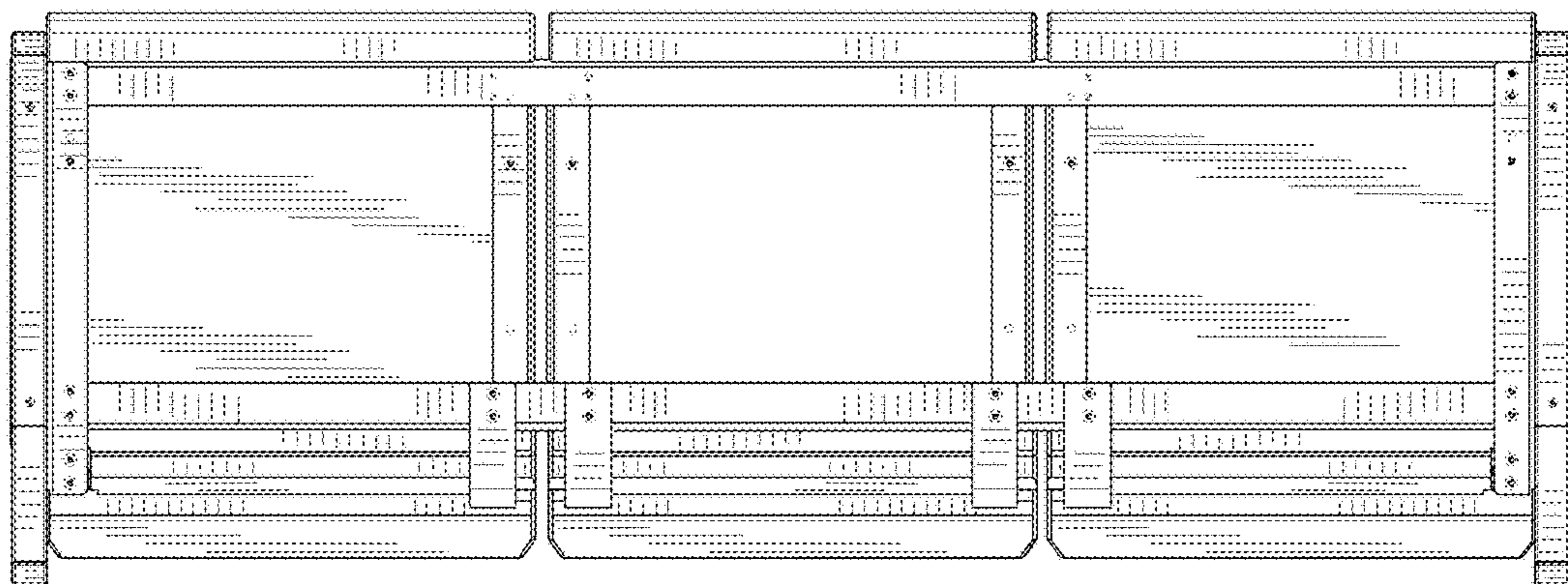


FIG. 32

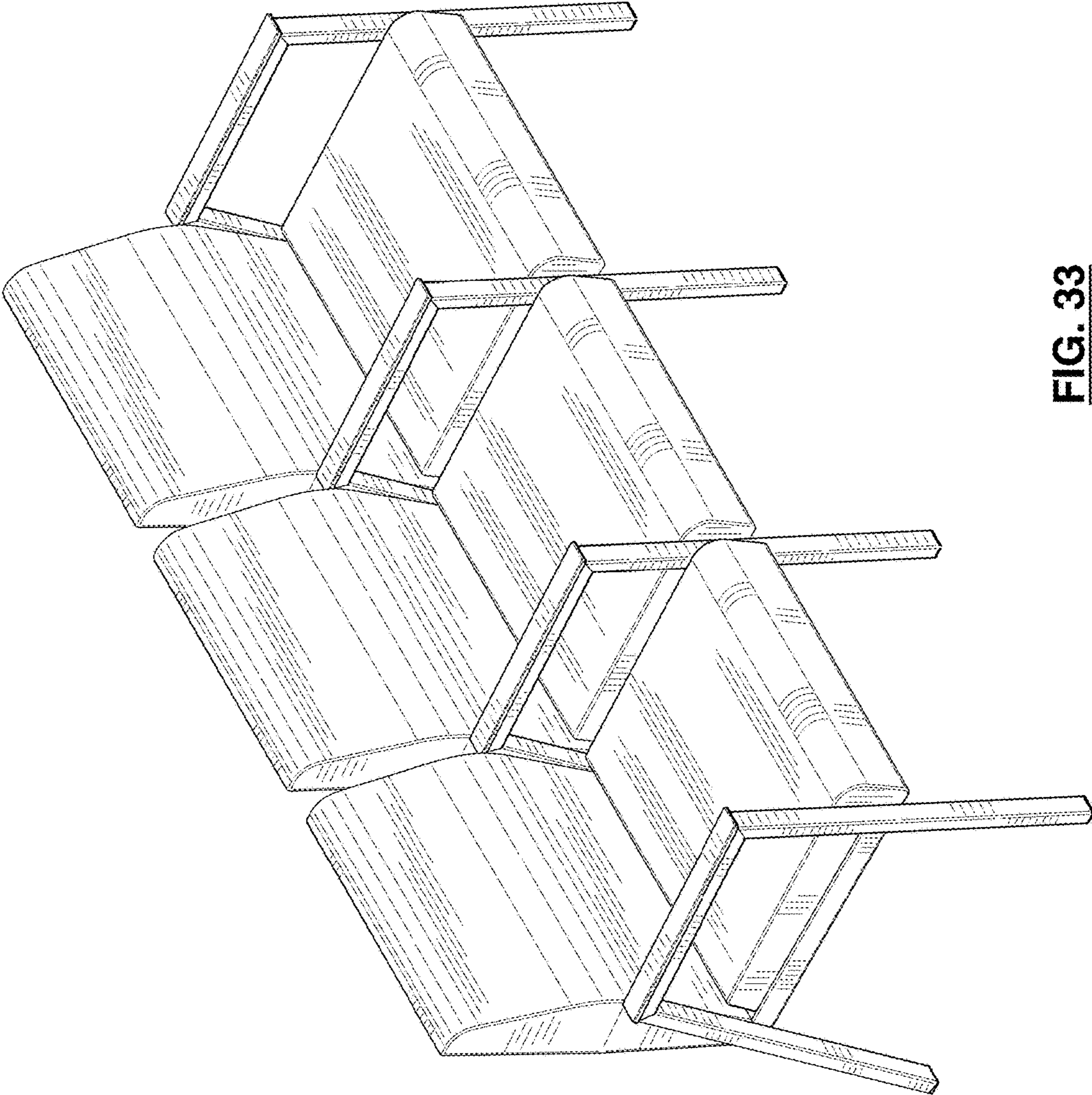


FIG. 33

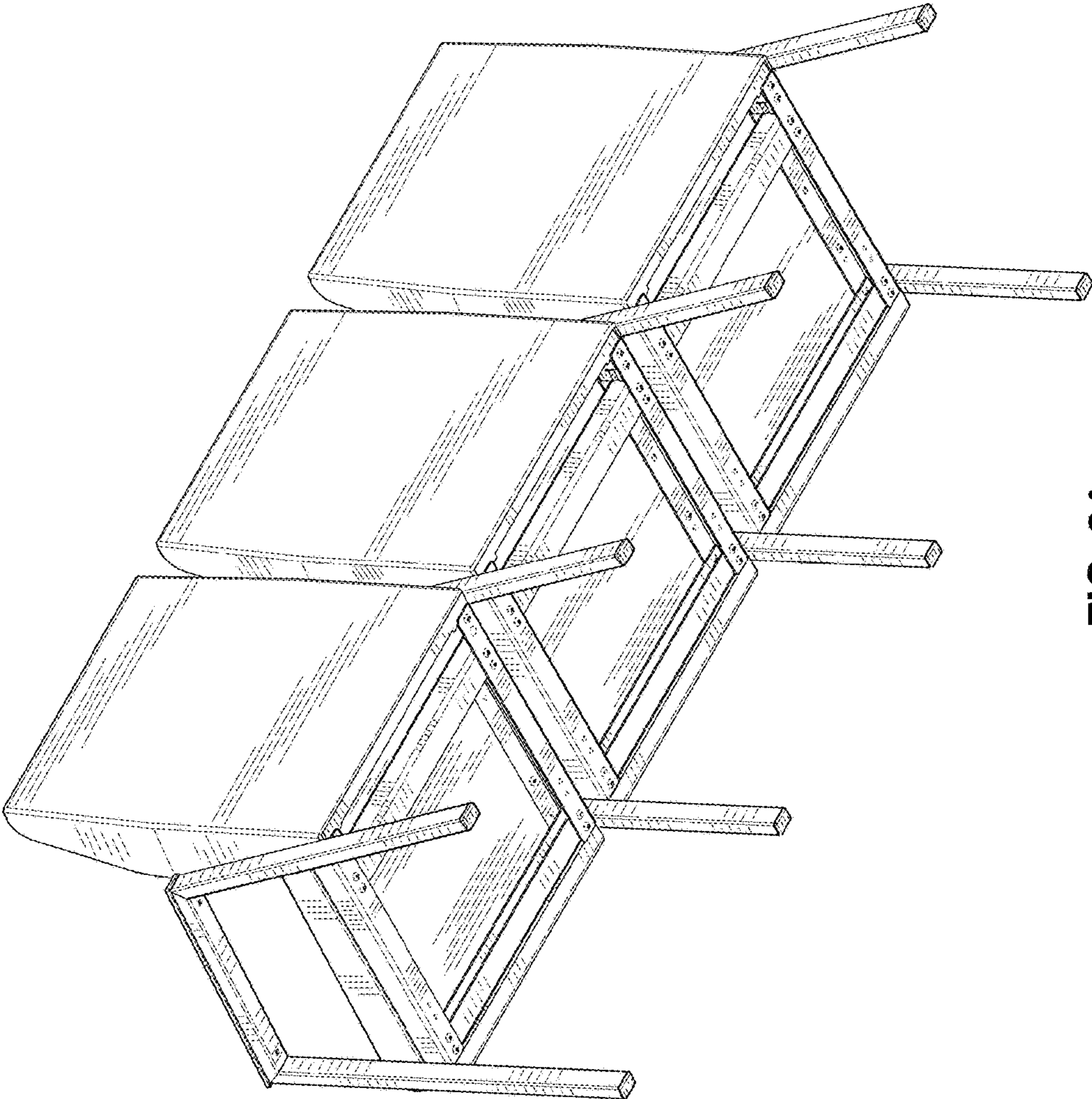


FIG. 34

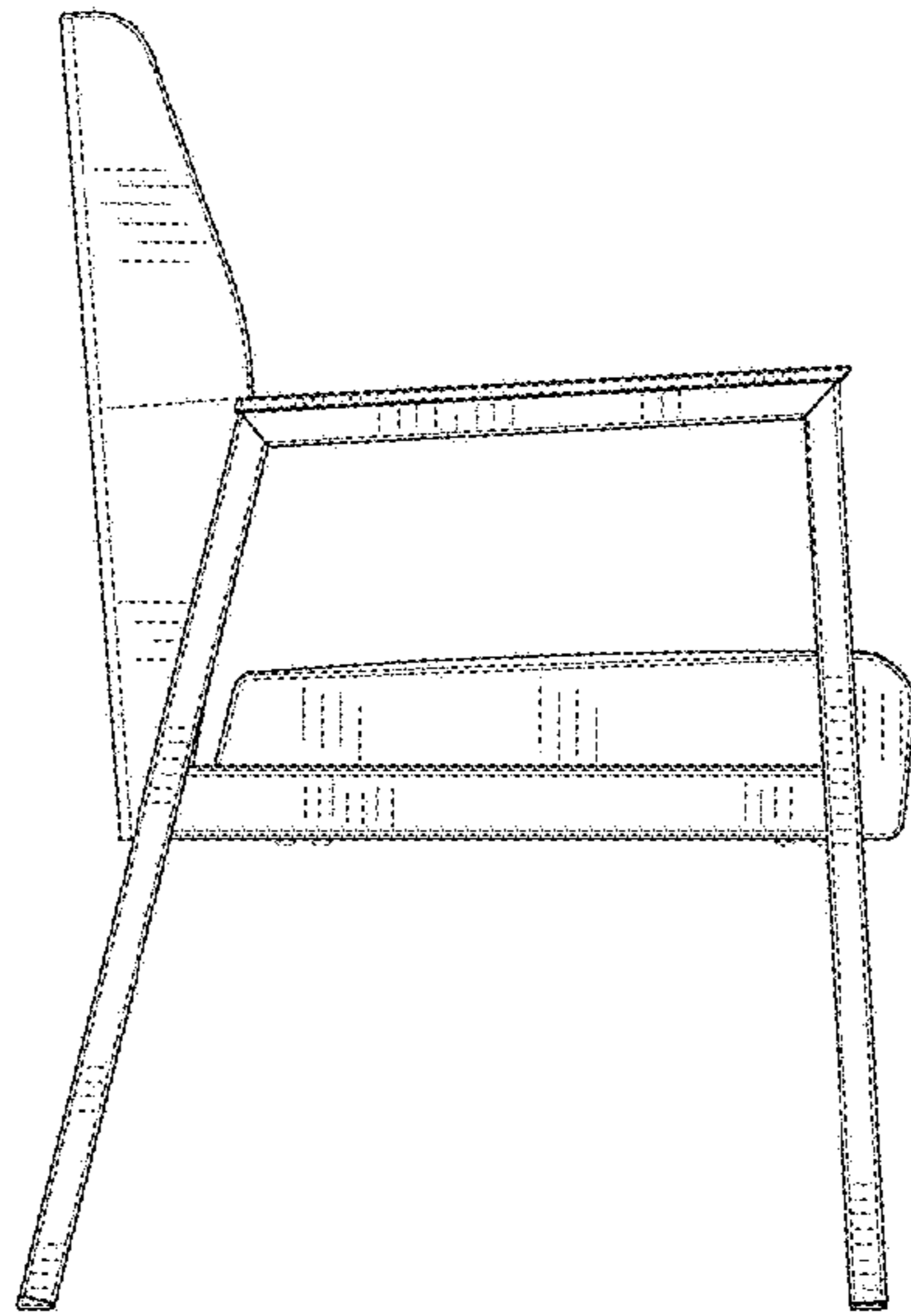


FIG. 35

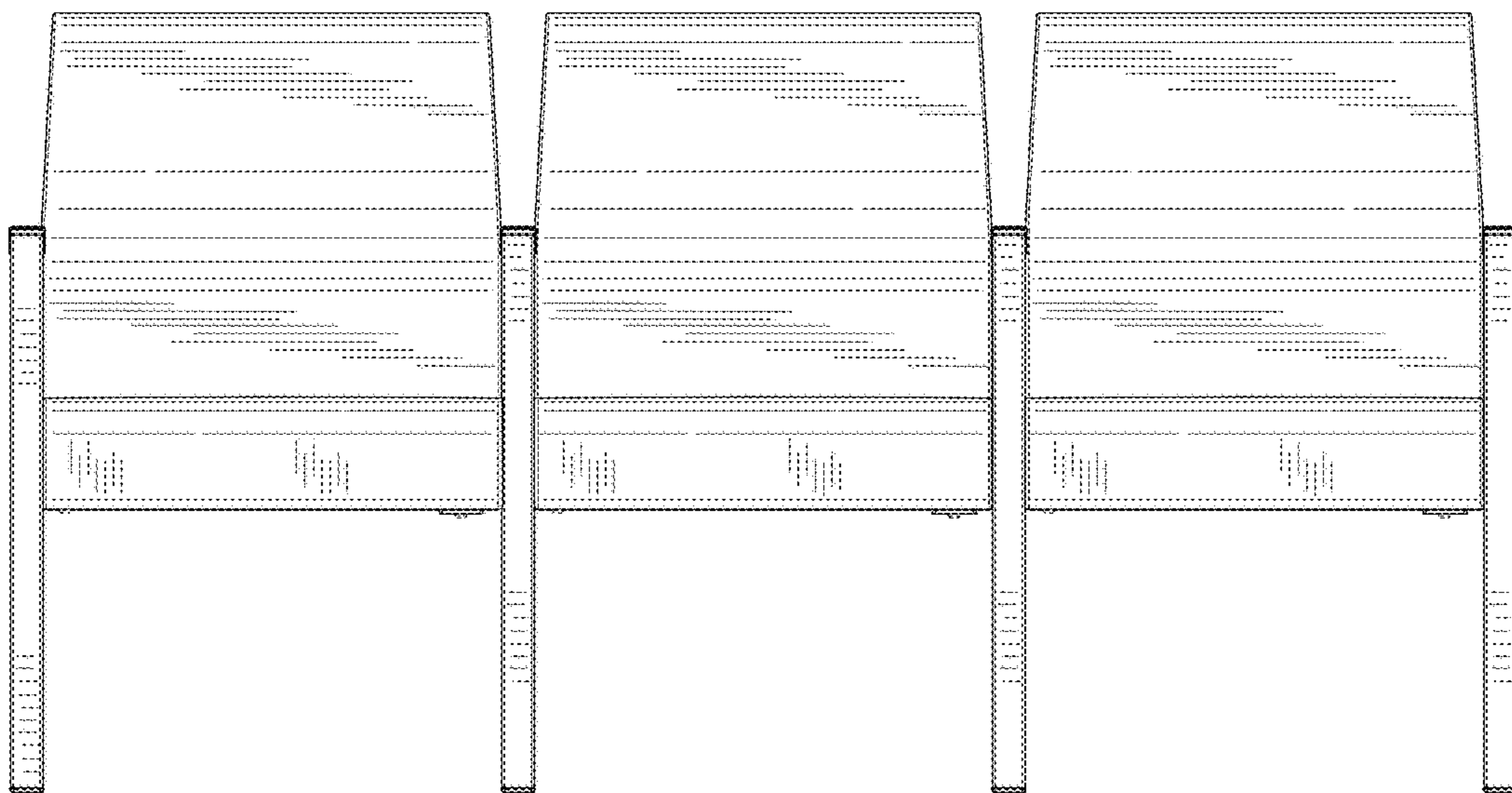


FIG. 36

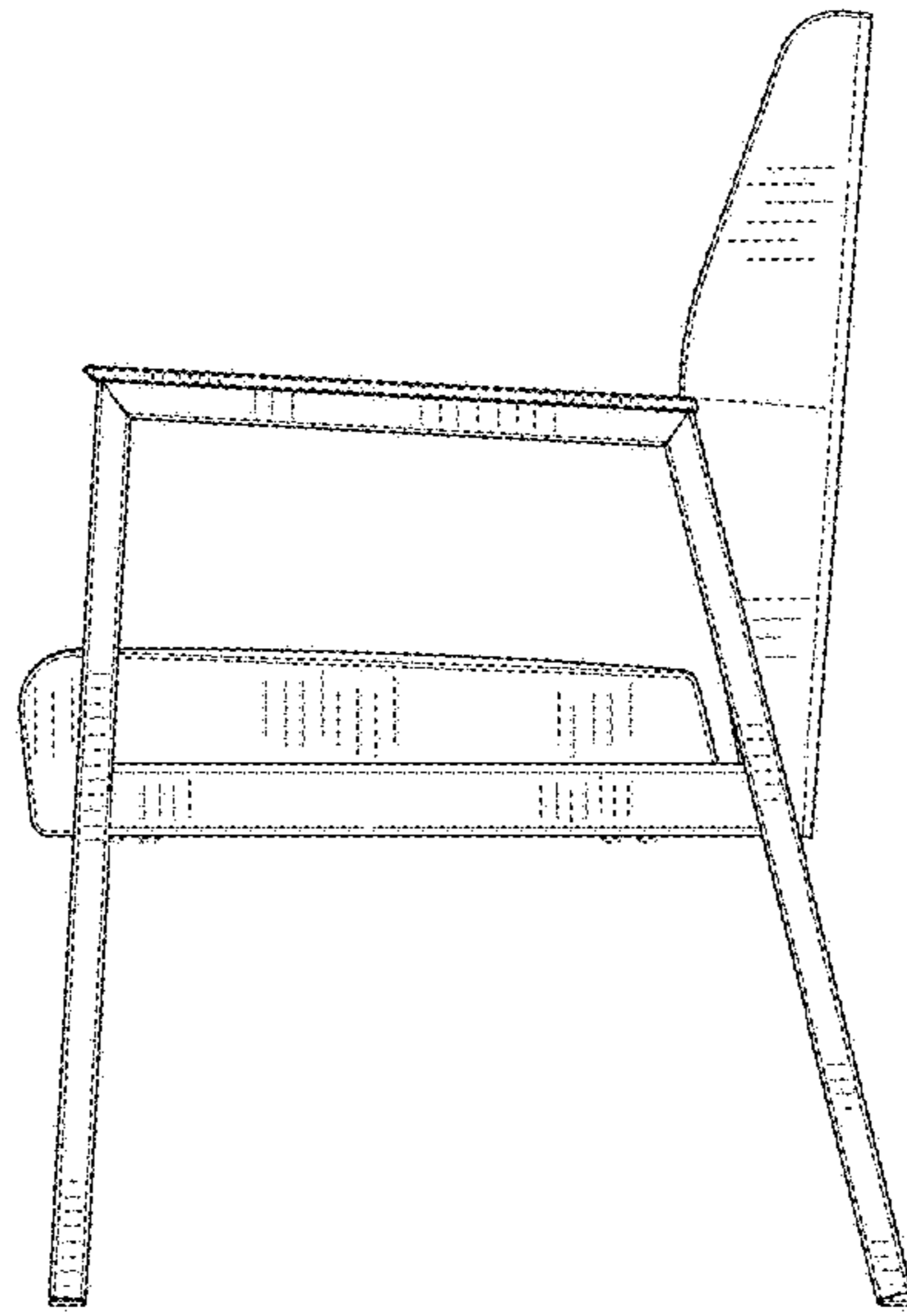


FIG. 37

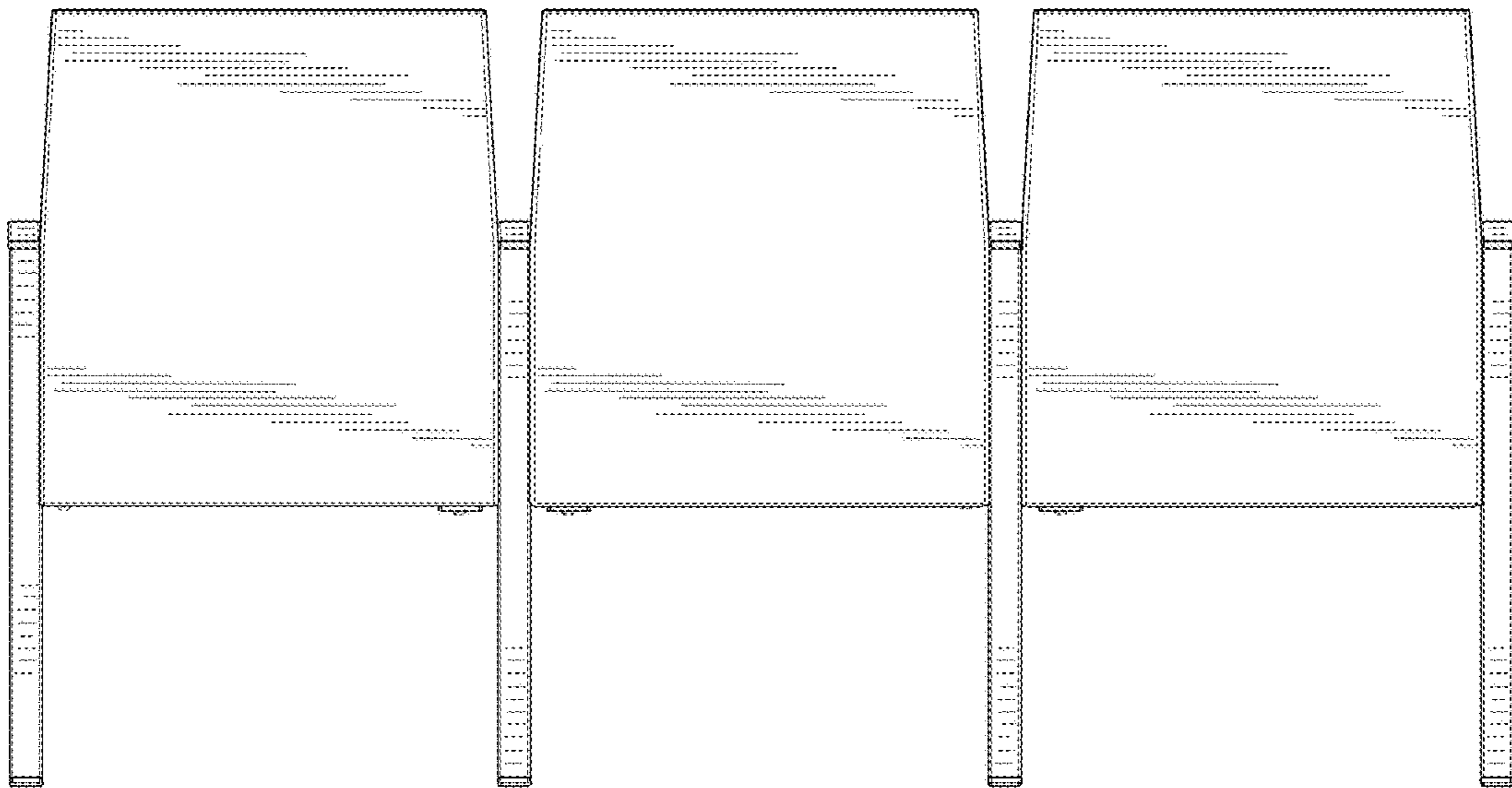


FIG. 38

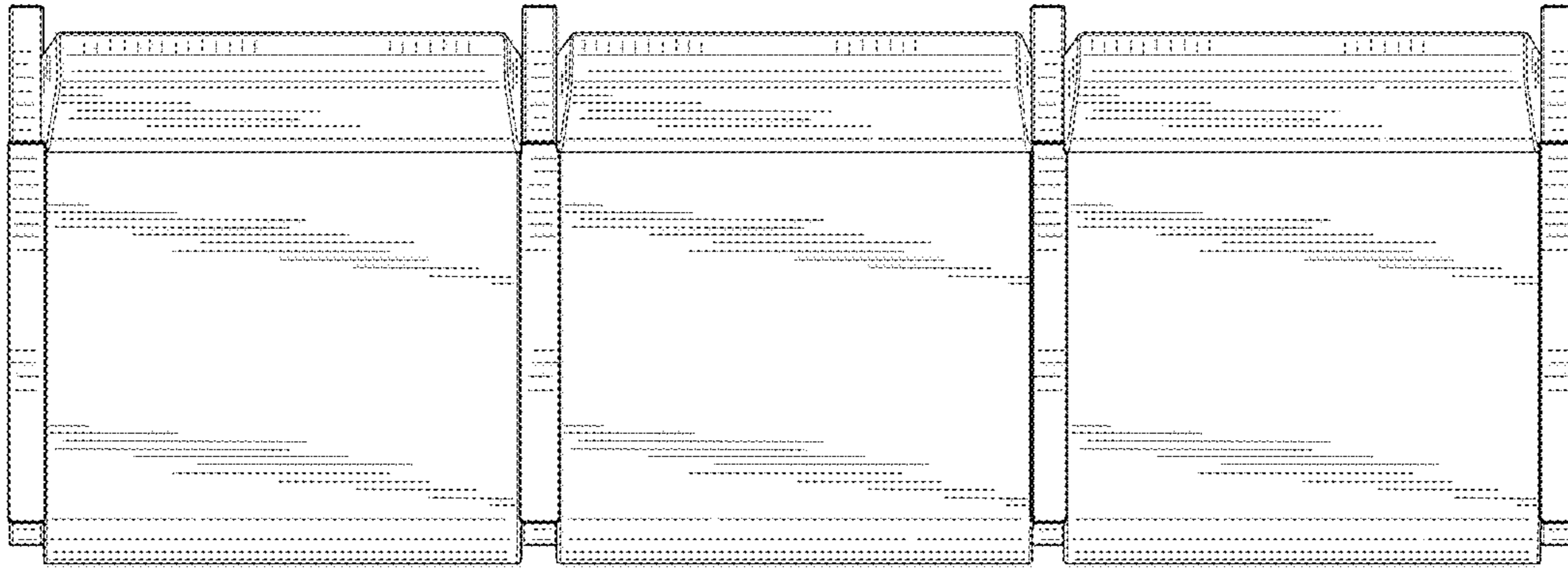


FIG. 39

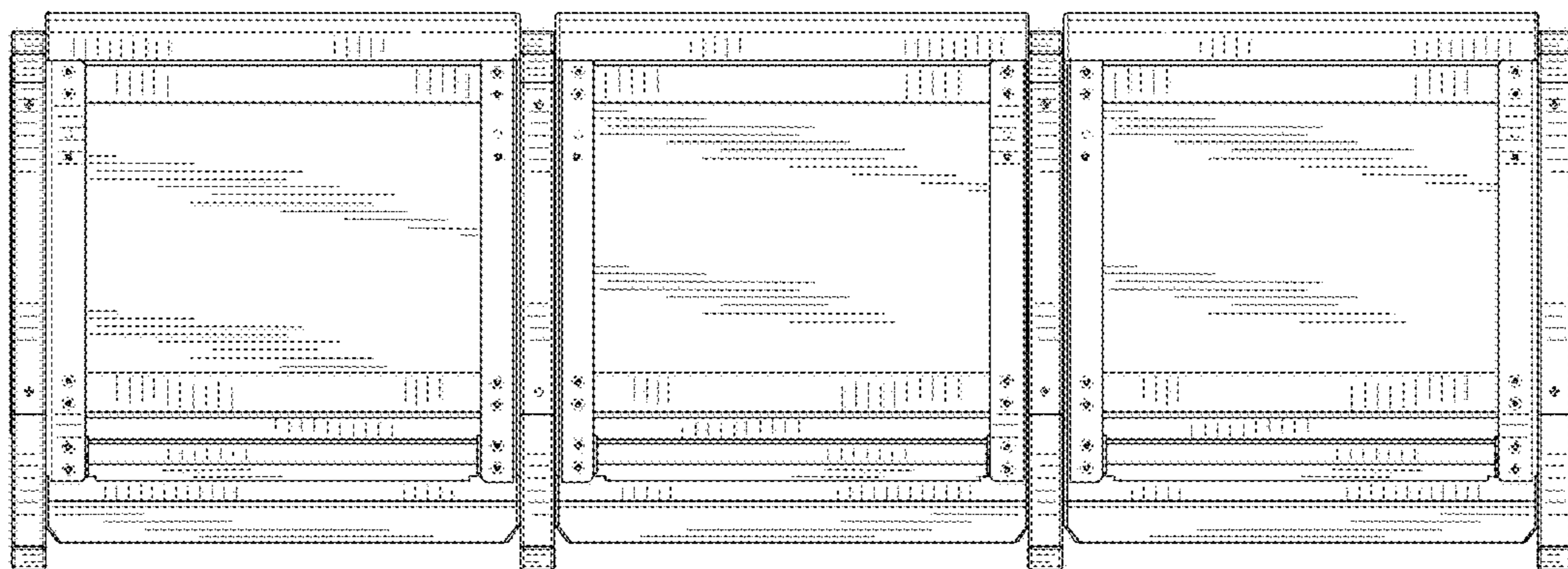


FIG. 40