



US00D802955S

(12) **United States Design Patent**
Bettin

(10) **Patent No.:** **US D802,955 S**

(45) **Date of Patent:** **** Nov. 21, 2017**

(54) **CHAIR**

(71) Applicant: **Dario Bettin**, Bari (IT)

(72) Inventor: **Dario Bettin**, Bari (IT)

(**) Term: **15 Years**

(21) Appl. No.: **29/537,807**

(22) Filed: **Aug. 28, 2015**

(51) **LOC (10) Cl.** **06-01**

(52) **U.S. Cl.**
USPC **D6/371; D6/373**

(58) **Field of Classification Search**

USPC D6/334-336, 369, 371, 373, 374, 379,
D6/716, 716.1, 716.2, 716.3, 716.4

CPC A47C 4/02; A47C 4/03; A47C 5/02; A47C
7/18; A47C 7/24; A47C 7/285

See application file for complete search history.

(56) **References Cited**

U.S. PATENT DOCUMENTS

D178,122 S * 6/1956 Grossberg D6/369
D218,887 S * 10/1970 Kramer D6/373
D235,947 S * 7/1975 Uyeda D6/373

D239,890 S * 5/1976 Uyeda D6/369
D256,409 S * 8/1980 Wilson D6/369
D274,022 S * 5/1984 Caldwell D6/373
D298,787 S * 12/1988 Greene D6/379
D332,355 S * 1/1993 Maruya D6/371
D344,191 S * 2/1994 Gehry D6/369
D562,020 S * 2/2008 Massaud D6/374
D766,606 S * 9/2016 Volpe D6/373
D767,913 S * 10/2016 Cochran D6/373

* cited by examiner

Primary Examiner — Mimosa De

(74) *Attorney, Agent, or Firm* — Egbert Law Offices,
PLLC

(57) **CLAIM**

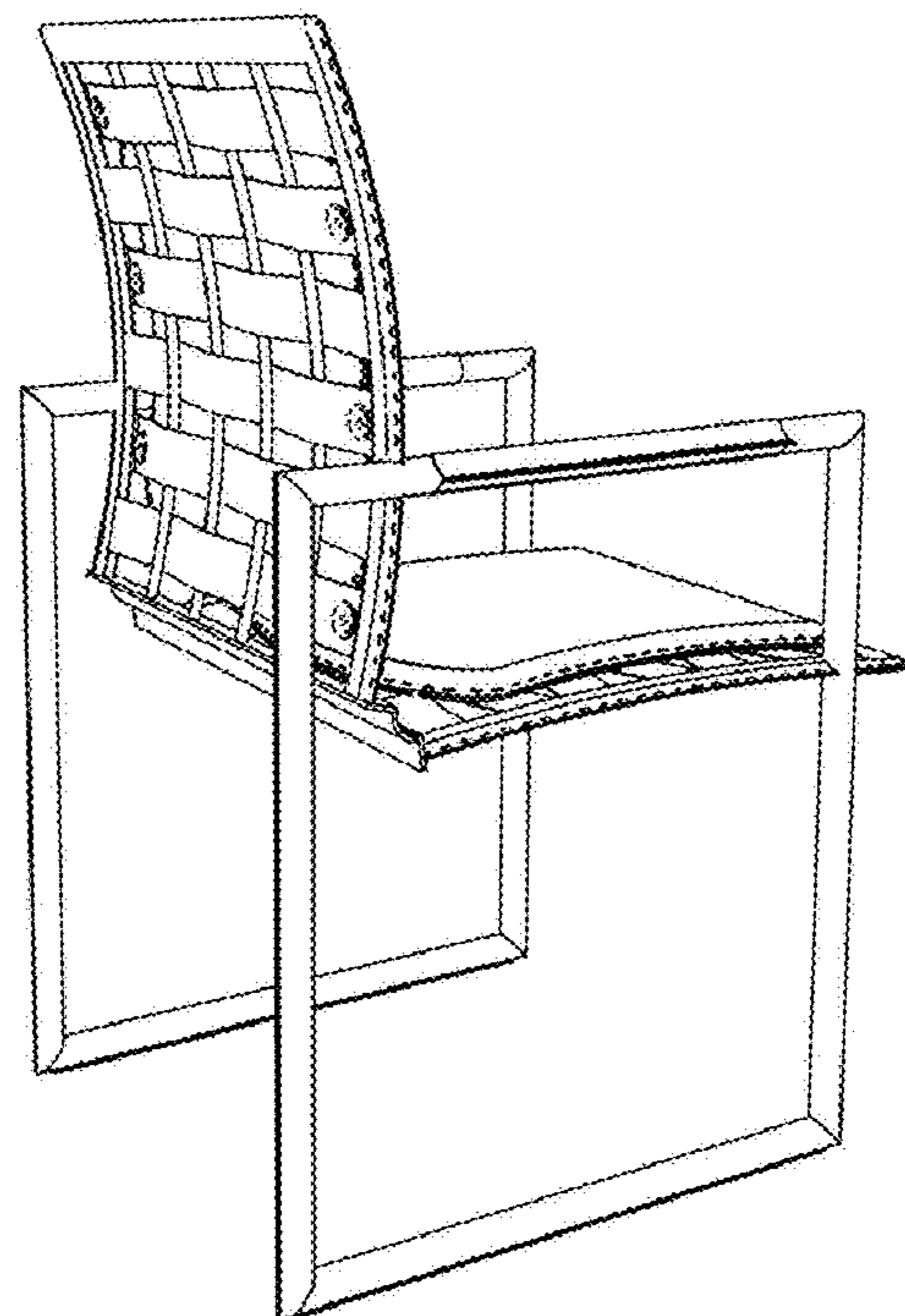
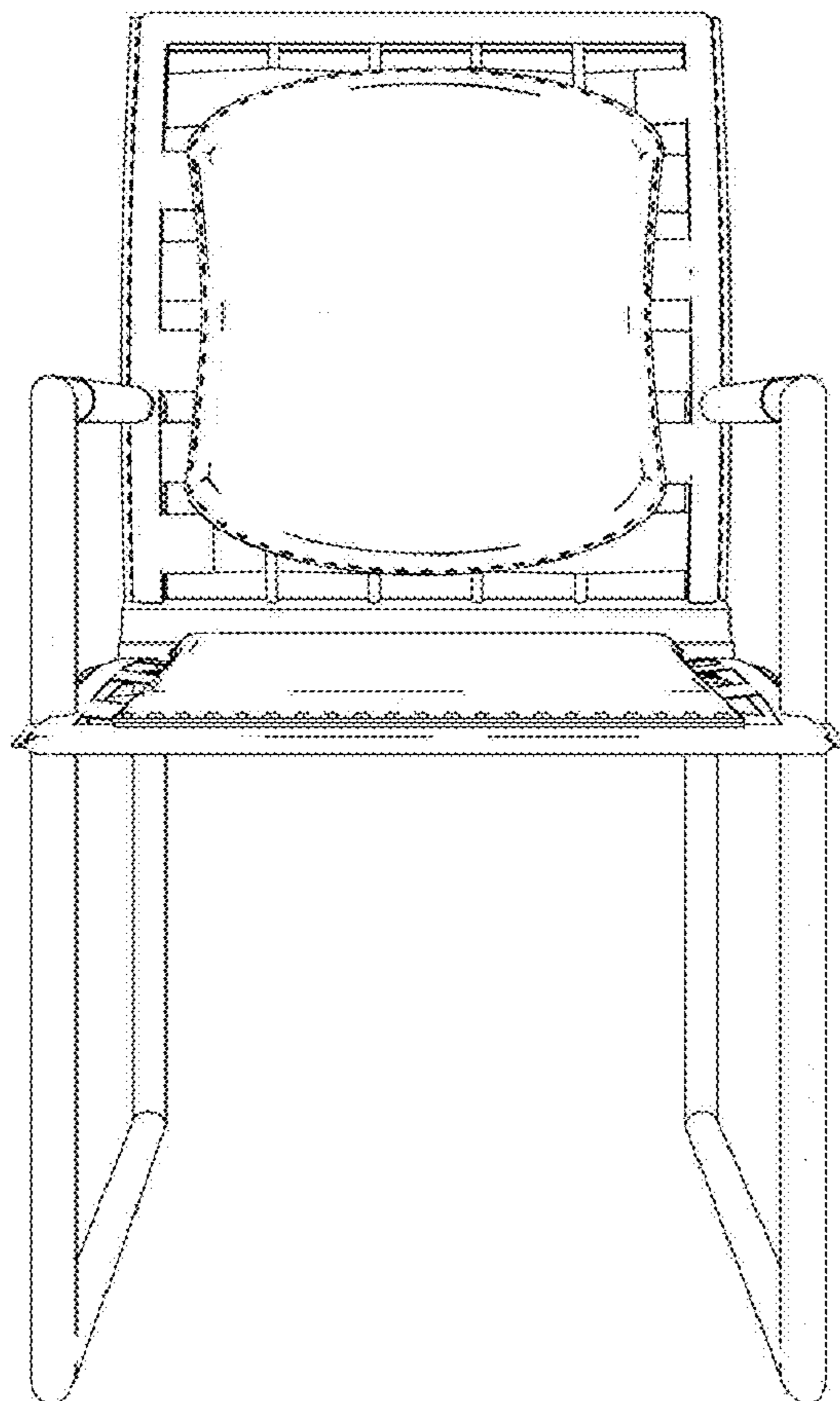
The ornamental design for a chair, as shown and described.

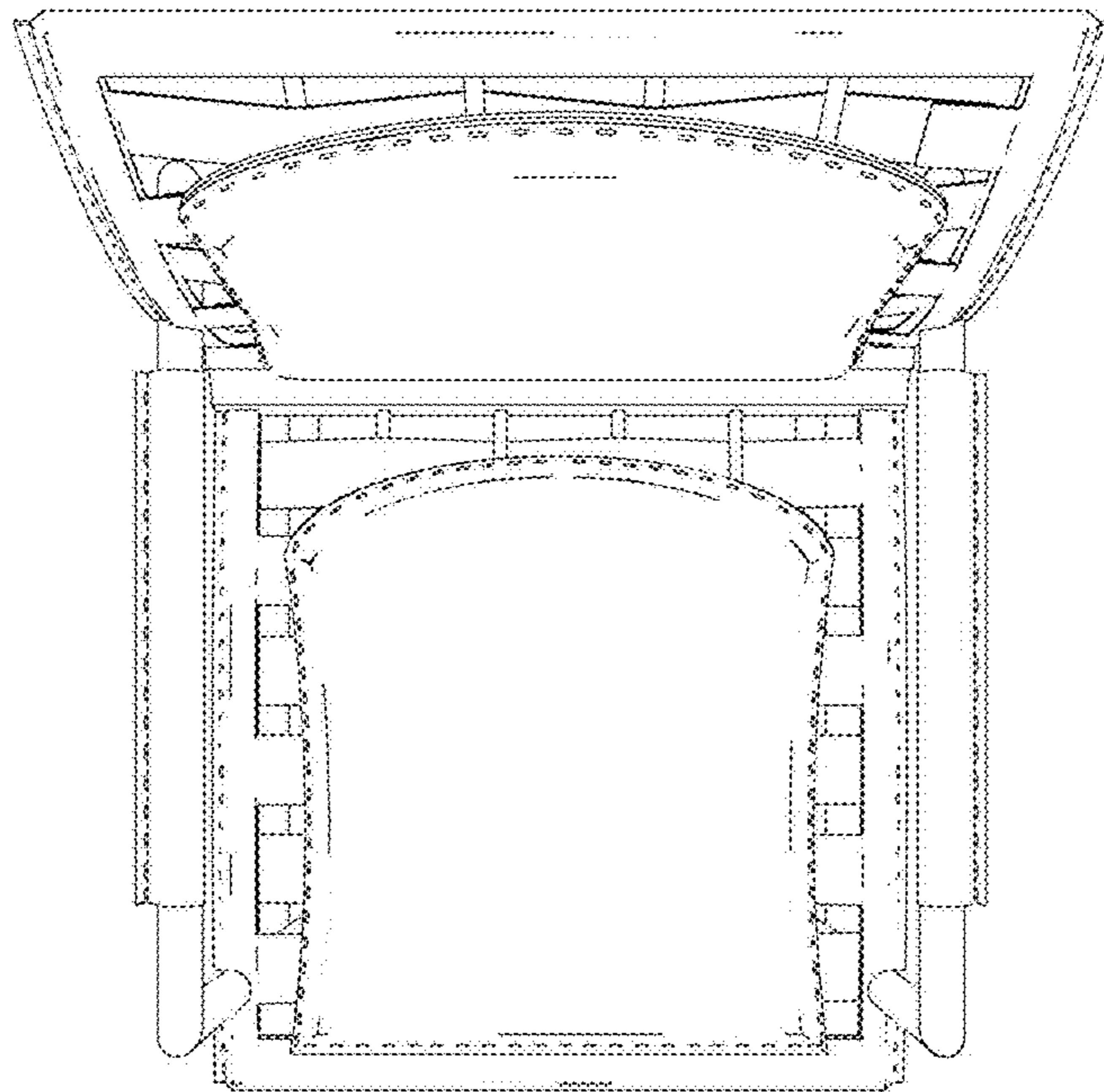
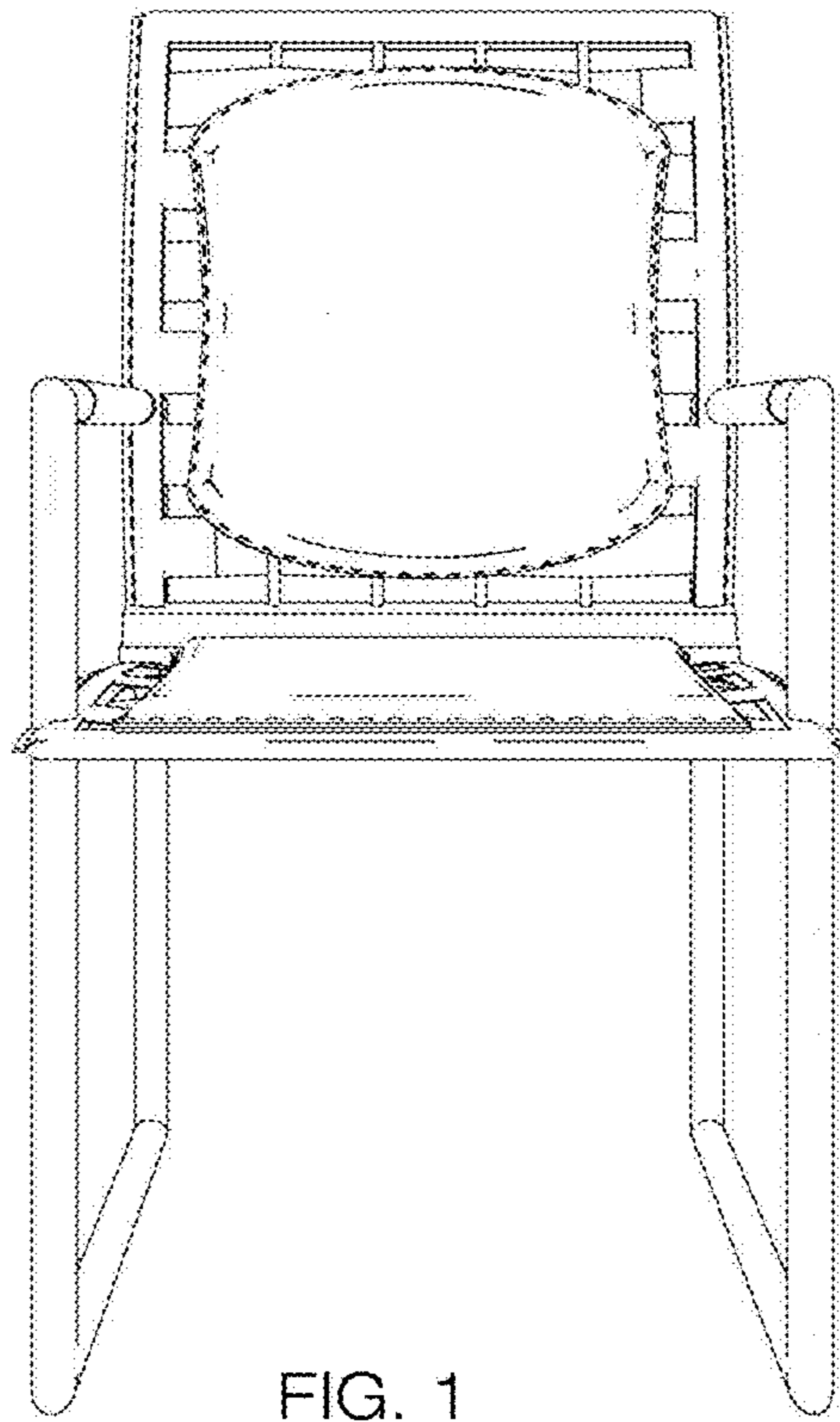
DESCRIPTION

FIG. 1 is a front view of a chair showing my new design.
FIG. 2 is a top view thereof;
FIG. 3 is a side view thereof, an opposite side view being a
mirror image thereof; and,
FIG. 4 is a rear perspective view thereof.

The circular members presented in broken lines in FIG. 4 are
unclaimed features of the chair and form no part of the
claimed design. The other broken lines in the figures rep-
resent stitching.

1 Claim, 2 Drawing Sheets





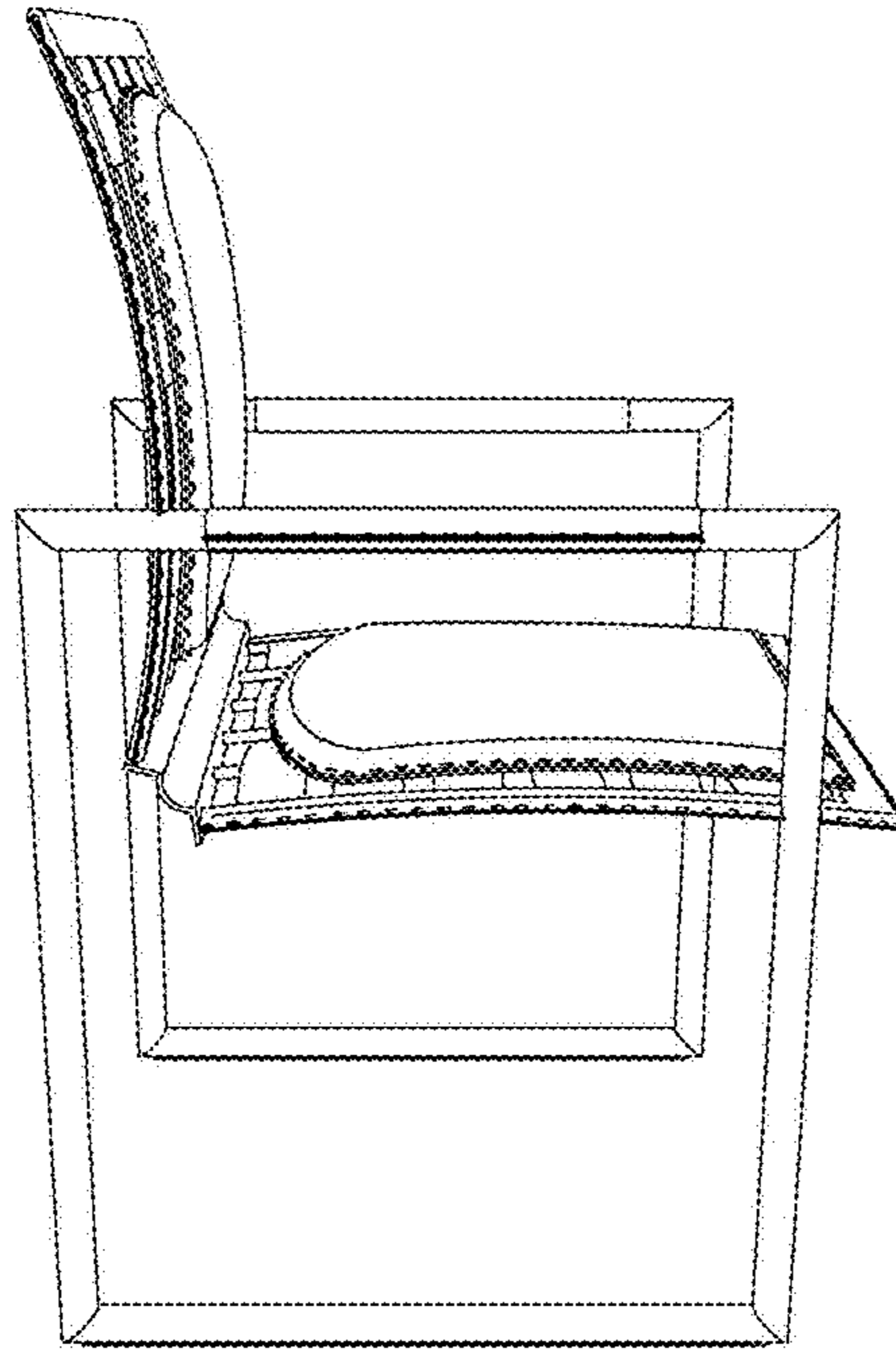


FIG. 3

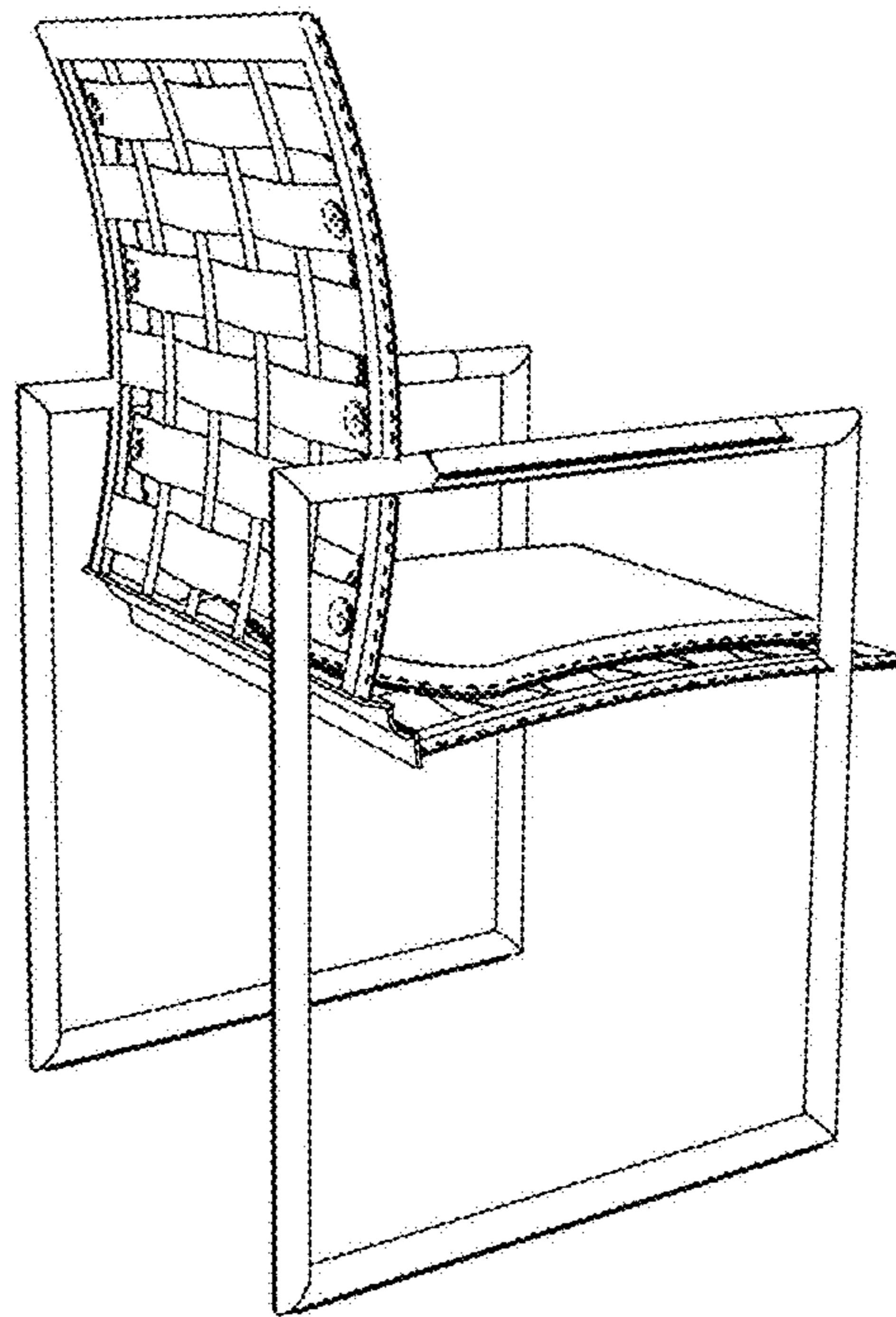


FIG. 4