



US00D802953S

(12) **United States Design Patent** (10) **Patent No.:** **US D802,953 S**
Meda (45) **Date of Patent:** **** Nov. 21, 2017**

(54) **CHAIR**
(71) Applicant: **Vitra Patente AG**, Birsfelden (CH)
(72) Inventor: **Alberto Meda**, Milan (IT)
(73) Assignee: **VITRA PATENTE AG**, Birsfelden (CH)
(**) Term: **15 Years**
(21) Appl. No.: **29/573,936**
(22) Filed: **Aug. 10, 2016**
(30) **Foreign Application Priority Data**
May 13, 2016 (WO) DM090703
(51) **LOC (10) Cl.** **06-01**
(52) **U.S. Cl.**
USPC **D6/366**
(58) **Field of Classification Search**
USPC D6/334-336, 364, 365, 366, 374, 379,
D6/380, 716, 716.1, 716.2, 716.4, 708.23,
D6/708.24
CPC .. A47C 7/54; A47C 3/24; A47C 7/022; A47C
7/282; A47C 7/40; A47C 7/46; A47C
7/462; A47C 7/24; A47C 7/004
See application file for complete search history.

(56) **References Cited**
U.S. PATENT DOCUMENTS
360,316 A 7/1995 Hodge et al.
D367,980 S 3/1996 Hodge et al.
D390,712 S * 2/1998 Koepke D6/360
D400,018 S * 10/1998 James D6/366
D445,580 S * 7/2001 Pennington D6/366
D446,397 S * 8/2001 Pennington D6/366
D453,079 S * 1/2002 Ma D6/366
D467,443 S 12/2002 Kwon

6,572,190 B2 * 6/2003 Koepke A47C 7/46
297/284.1
D540,079 S 4/2007 Bock
D540,080 S * 4/2007 Su D6/366
D541,061 S 4/2007 Benden et al.
D541,062 S * 4/2007 Su D6/366
549,014 A1 8/2007 Donati
D558,995 S 1/2008 Igarashi et al.
7,347,495 B2 * 3/2008 Beyrer A47C 7/462
297/284.3
D566,410 S * 4/2008 Neil D6/366
D567,522 S 4/2008 Igarashi
D570,624 S 6/2008 Kang
D572,948 S 7/2008 Kouichi et al.
D576,813 S * 9/2008 Baldanzi D6/366
D579,682 S 11/2008 Neil
D582,170 S * 12/2008 Chi D6/366
D584,901 S 1/2009 Massaud
7,517,024 B2 * 4/2009 Cvek A47C 7/282
297/218.1
D597,330 S * 8/2009 Neil D6/366
D613,085 S 4/2010 Fujita
D613,086 S 4/2010 Fujita
D640,477 S * 6/2011 Neil D6/366
D640,478 S 6/2011 Neil

(Continued)

Primary Examiner — Mimosa De
(74) *Attorney, Agent, or Firm* — Dorsey & Whitney LLP

(57) **CLAIM**
The ornamental design of a chair, as shown and described.

DESCRIPTION

FIG. 1 is a front perspective-view of a chair;
FIG. 2 is a front view thereof;
FIG. 3 is a left-side view thereof;
FIG. 4 is a back view thereof;
FIG. 5 is a right-side view thereof;
FIG. 6 is a top view thereof; and,
FIG. 7 is a bottom view thereof.

1 Claim, 7 Drawing Sheets



(56)

References Cited

U.S. PATENT DOCUMENTS

| | | | |
|--------------|---------|--------------------|----------|
| D646,915 S | 10/2011 | Schweikarth et al. | |
| D649,796 S | 12/2011 | Lievore et al. | |
| D650,617 S * | 12/2011 | Chen | D6/366 |
| D652,646 S | 1/2012 | Fujita | |
| D653,467 S | 2/2012 | Ballendat | |
| D654,280 S | 2/2012 | Fujita | |
| D656,752 S | 4/2012 | Moll | |
| D658,904 S * | 5/2012 | Chen | D6/366 |
| D661,505 S | 6/2012 | Ballendat | |
| D665,589 S * | 8/2012 | Wagner | D6/366 |
| D665,590 S | 8/2012 | Wagner | |
| D666,032 S * | 8/2012 | Su | D6/716.4 |
| D671,330 S * | 11/2012 | Izawa | D6/366 |
| D671,332 S * | 11/2012 | Izawa | D6/366 |
| D671,759 S | 12/2012 | Hurford | |
| D679,107 S | 4/2013 | Darrow et al. | |
| D683,172 S * | 5/2013 | Su | D6/366 |
| D683,552 S * | 6/2013 | Wu | D6/366 |
| D683,574 S * | 6/2013 | Su | D6/366 |
| D687,641 S | 8/2013 | Barrell | |
| D694,541 S | 12/2013 | Breen | |
| D695,538 S | 12/2013 | Geelen | |
| D697,330 S * | 1/2014 | Chen | D6/366 |
| D701,068 S * | 3/2014 | Usumoto | D6/366 |
| D702,977 S | 4/2014 | Bonneywell | |
| D703,966 S * | 5/2014 | Wu | D6/366 |
| D708,882 S | 7/2014 | Hsuan-Chin | |
| D714,069 S | 9/2014 | Cvek | |
| D736,532 S | 8/2015 | Ballendat | |
| D758,087 S | 6/2016 | Bonneywell | |
| D767,320 S * | 9/2016 | Xingchang | D6/716.4 |
| D768,401 S | 10/2016 | Lievore et al. | |
| D773,199 S * | 12/2016 | Neil | D6/366 |
| D781,604 S | 3/2017 | Smith et al. | |
| D781,605 S | 3/2017 | Smith et al. | |
| 9,648,957 B2 | 5/2017 | Su | |

* cited by examiner

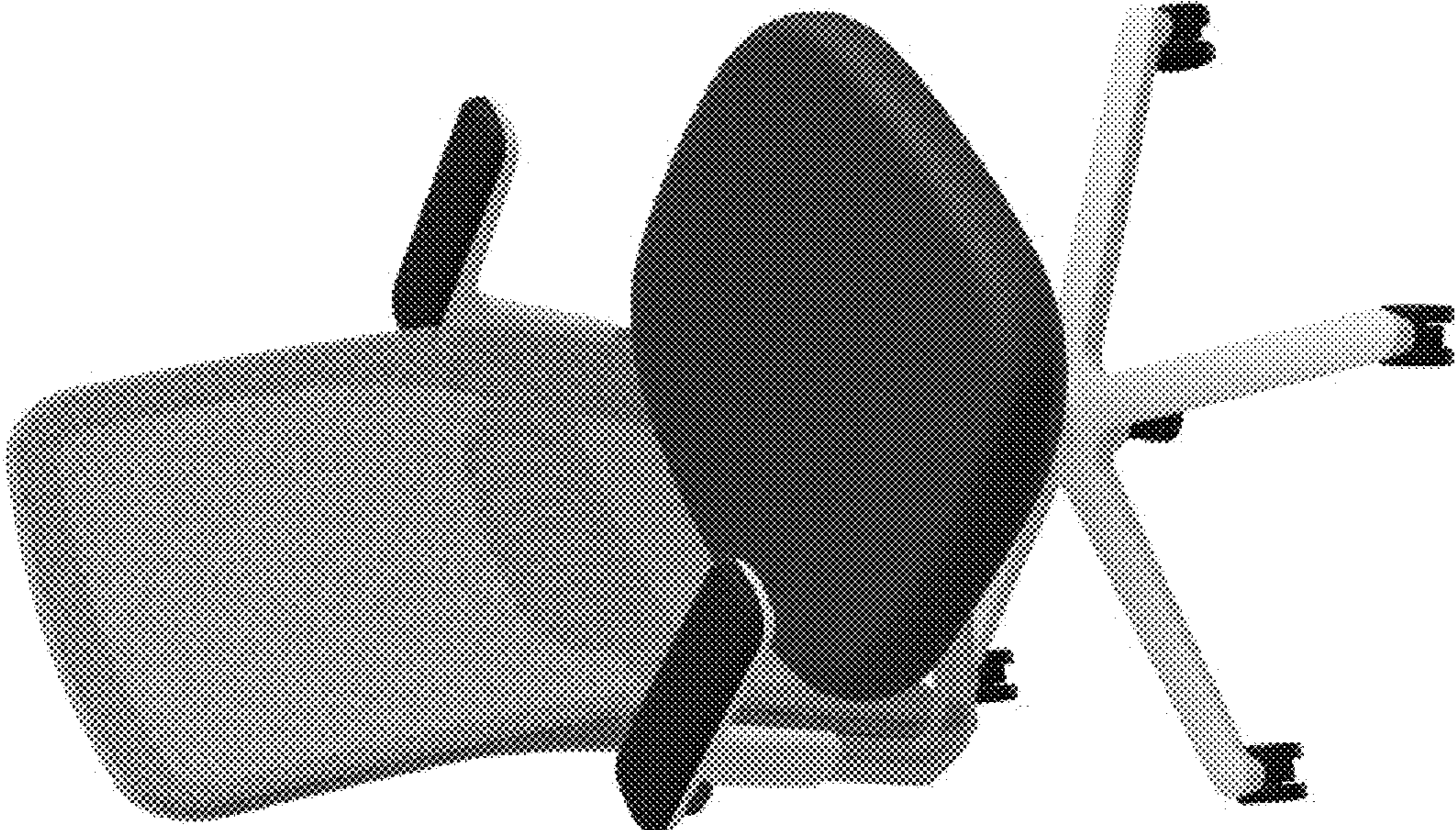


Fig. 1

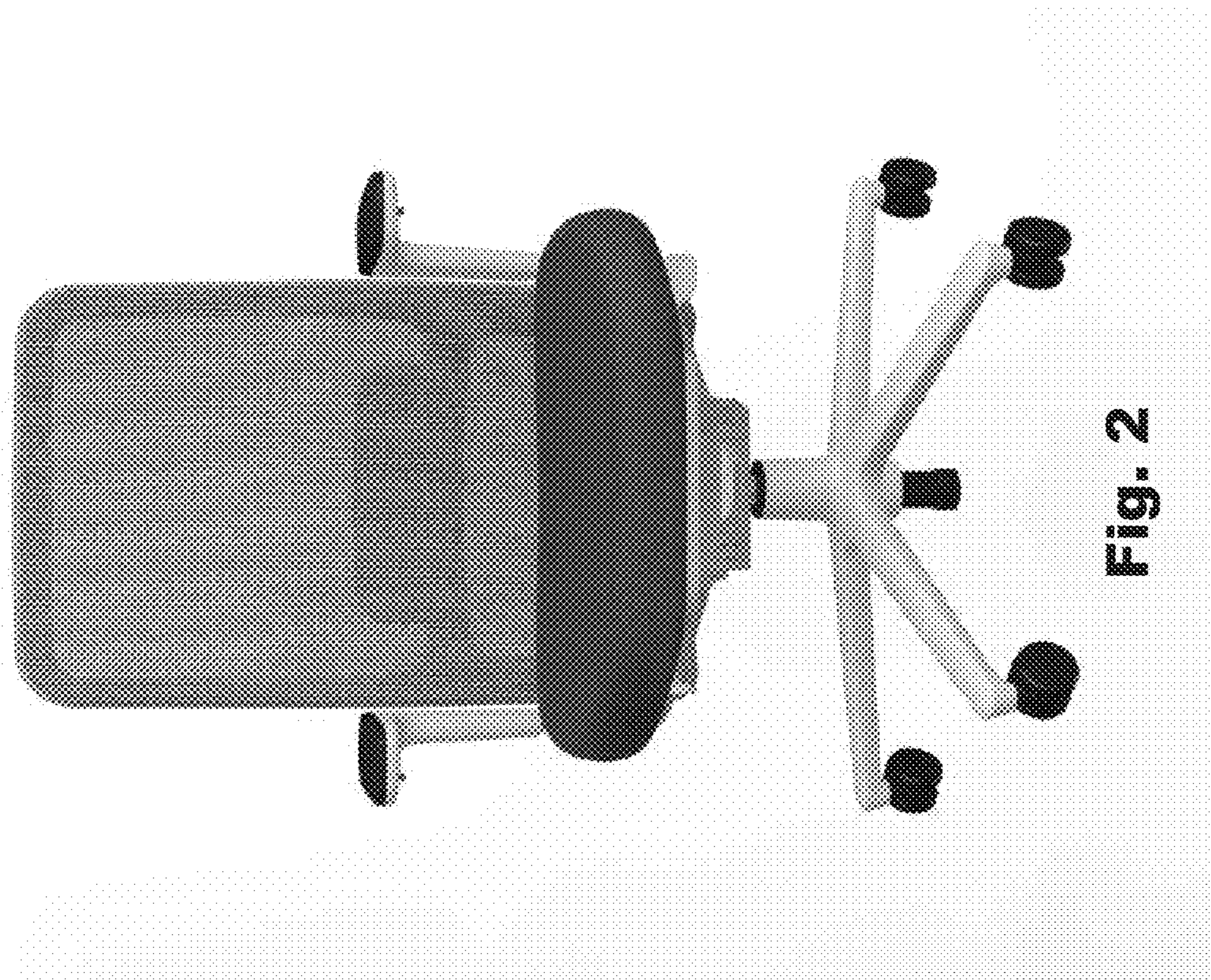


Fig. 2

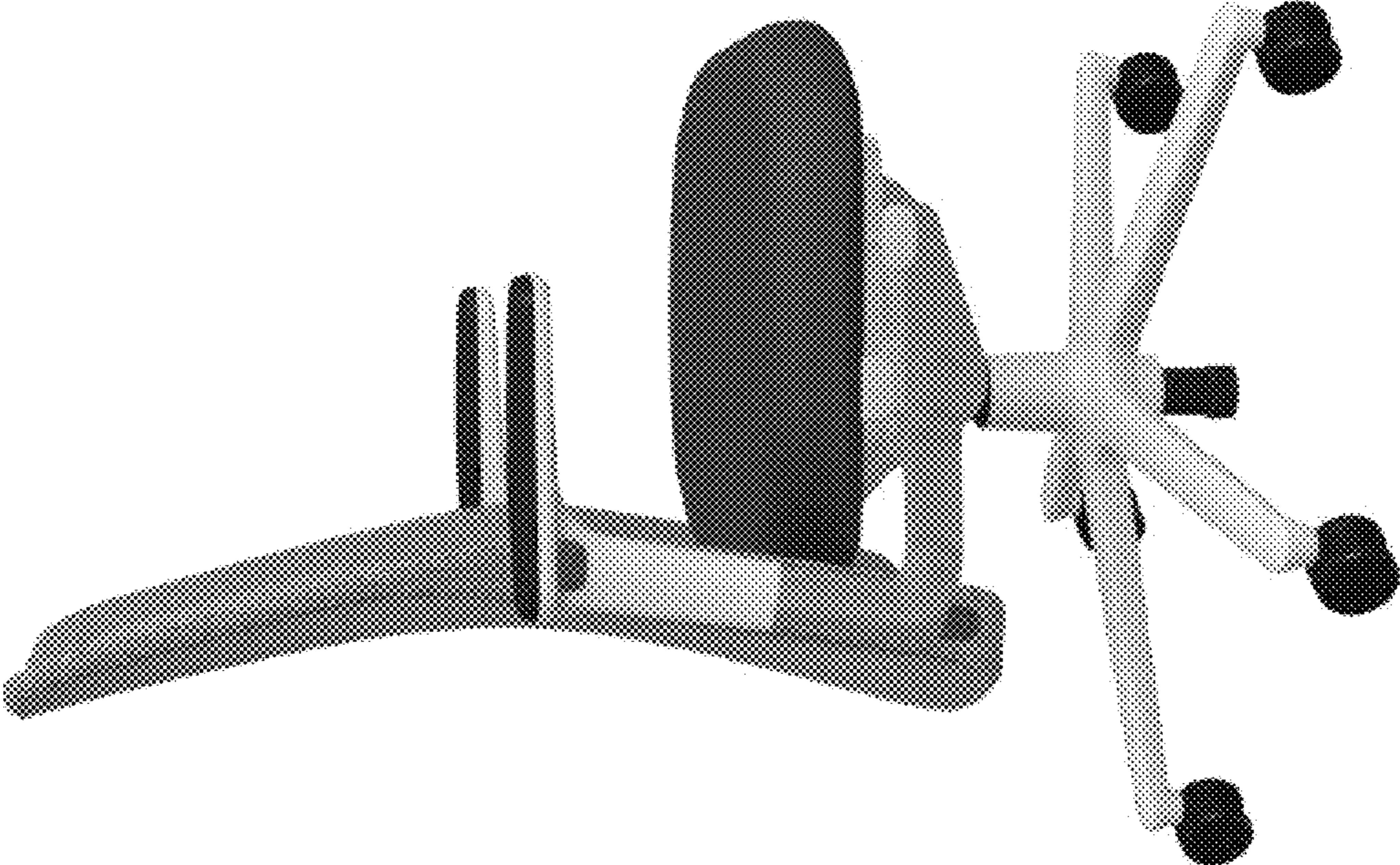


Fig. 3

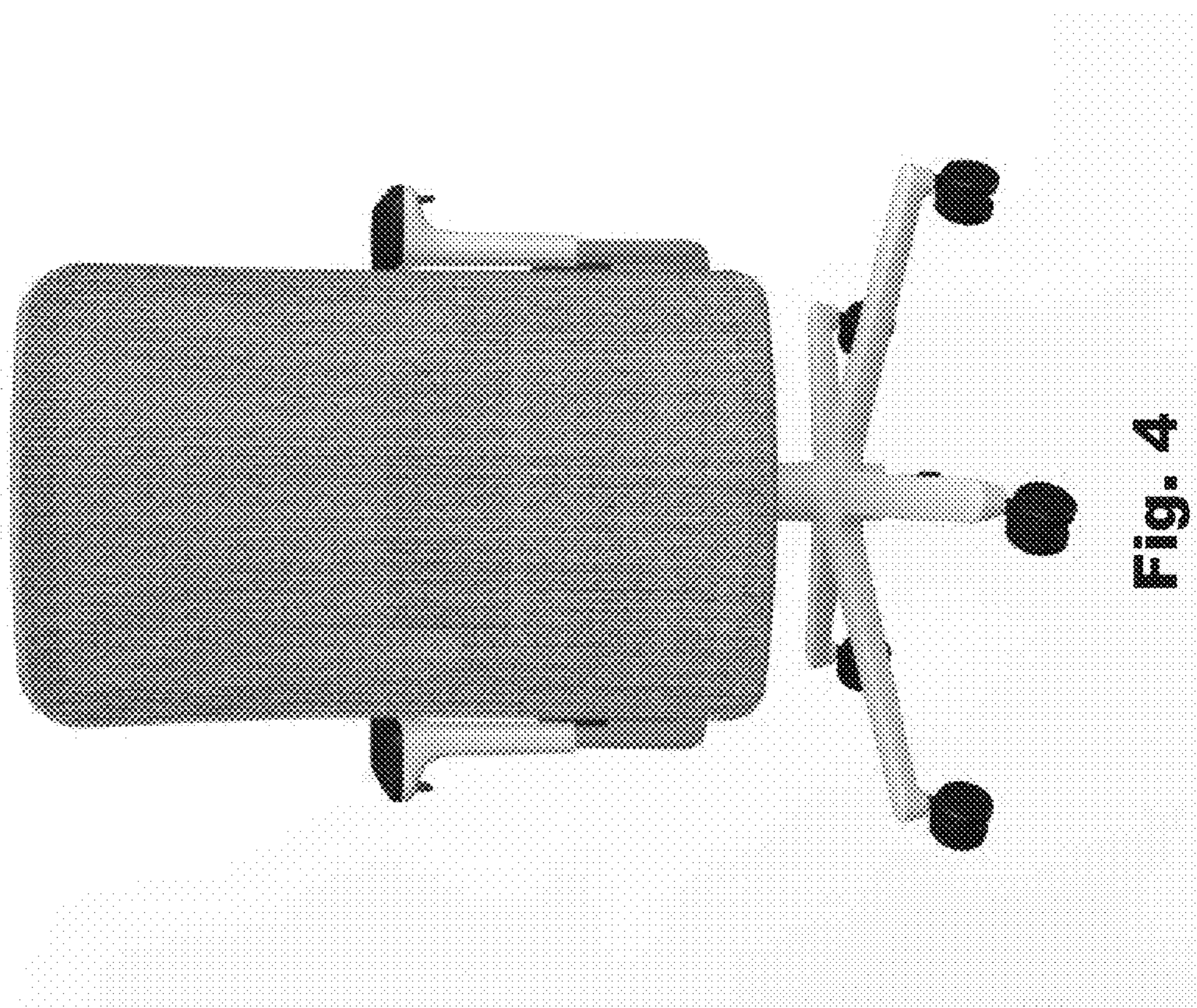


Fig. 4

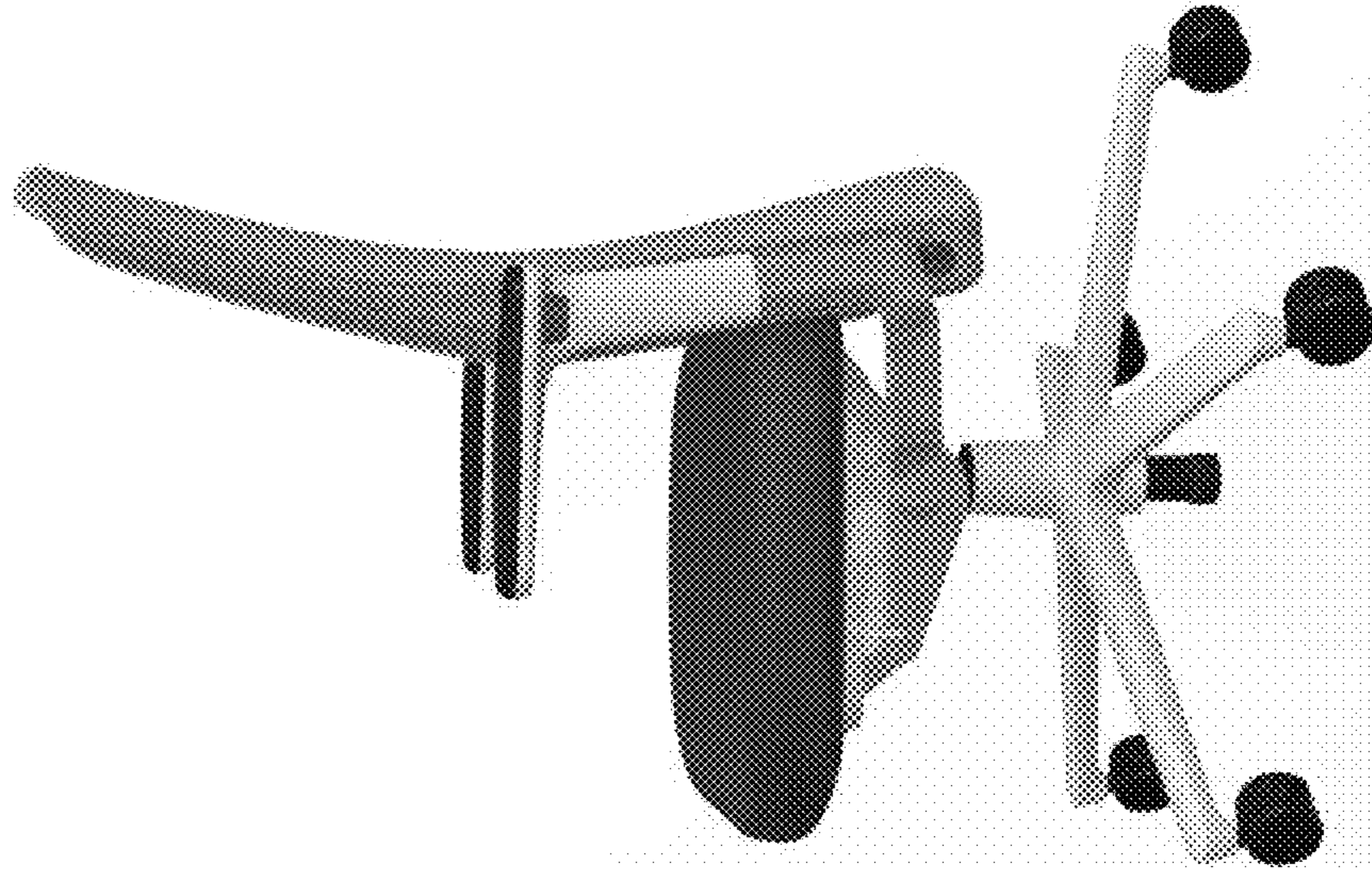


Fig. 5

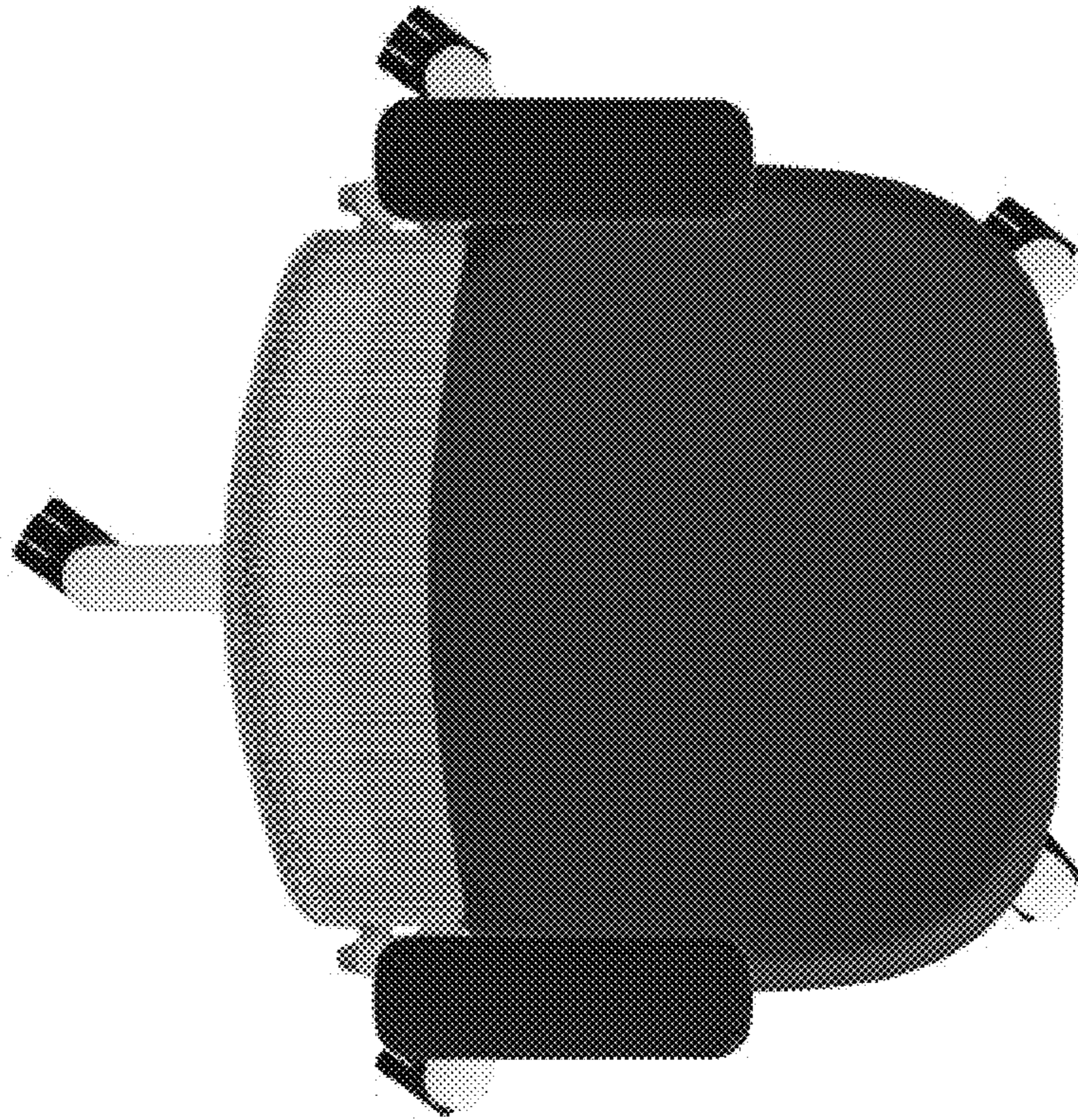


Fig. 6

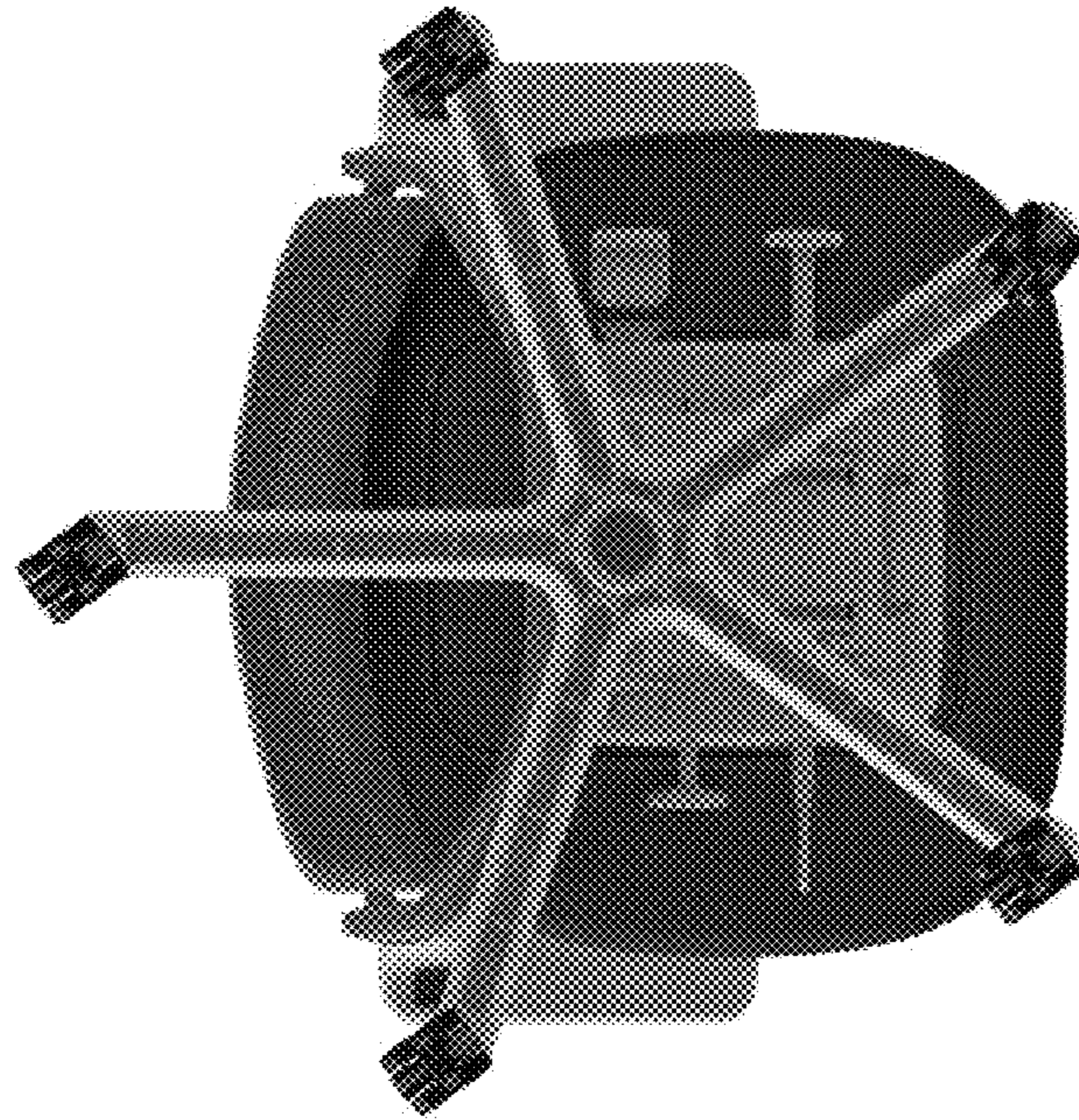


Fig. 7