



US00D802950S

(12) **United States Design Patent**
Bettin

(10) **Patent No.:** **US D802,950 S**

(45) **Date of Patent:** **** Nov. 21, 2017**

(54) **CHAIR**

(71) Applicant: **Dario Bettin**, Bari (IT)

(72) Inventor: **Dario Bettin**, Bari (IT)

(**) Term: **15 Years**

(21) Appl. No.: **29/537,821**

(22) Filed: **Aug. 28, 2015**

(51) **LOC (10) Cl.** **06-01**

(52) **U.S. Cl.**

USPC **D6/358; D6/373**

(58) **Field of Classification Search**

USPC D6/334-336, 358, 370, 372, 373, 374,
D6/376, 379, 380, 716, 716.1, 716.2,
D6/716.3, 716.4; D2/829

CPC A47C 4/02; A47C 4/03; A47C 5/04; A47C
5/06; A47C 5/10

See application file for complete search history.

(56) **References Cited**

U.S. PATENT DOCUMENTS

D128,070 S * 7/1941 Rosenberg D2/829
D260,123 S * 8/1981 Lamb D6/370

D269,561 S * 7/1983 Scott D2/829
D292,140 S * 10/1987 Cahill D2/829
D332,530 S * 1/1993 Nguyen D6/334
D334,488 S * 4/1993 Gehry D6/373
D470,586 S * 2/2003 Felstet D2/829
D525,056 S * 7/2006 Muller D6/373

* cited by examiner

Primary Examiner — Mimoso De

(74) *Attorney, Agent, or Firm* — Egbert Law Offices,
PLLC

(57) **CLAIM**

The ornamental design for a chair, as shown and described.

DESCRIPTION

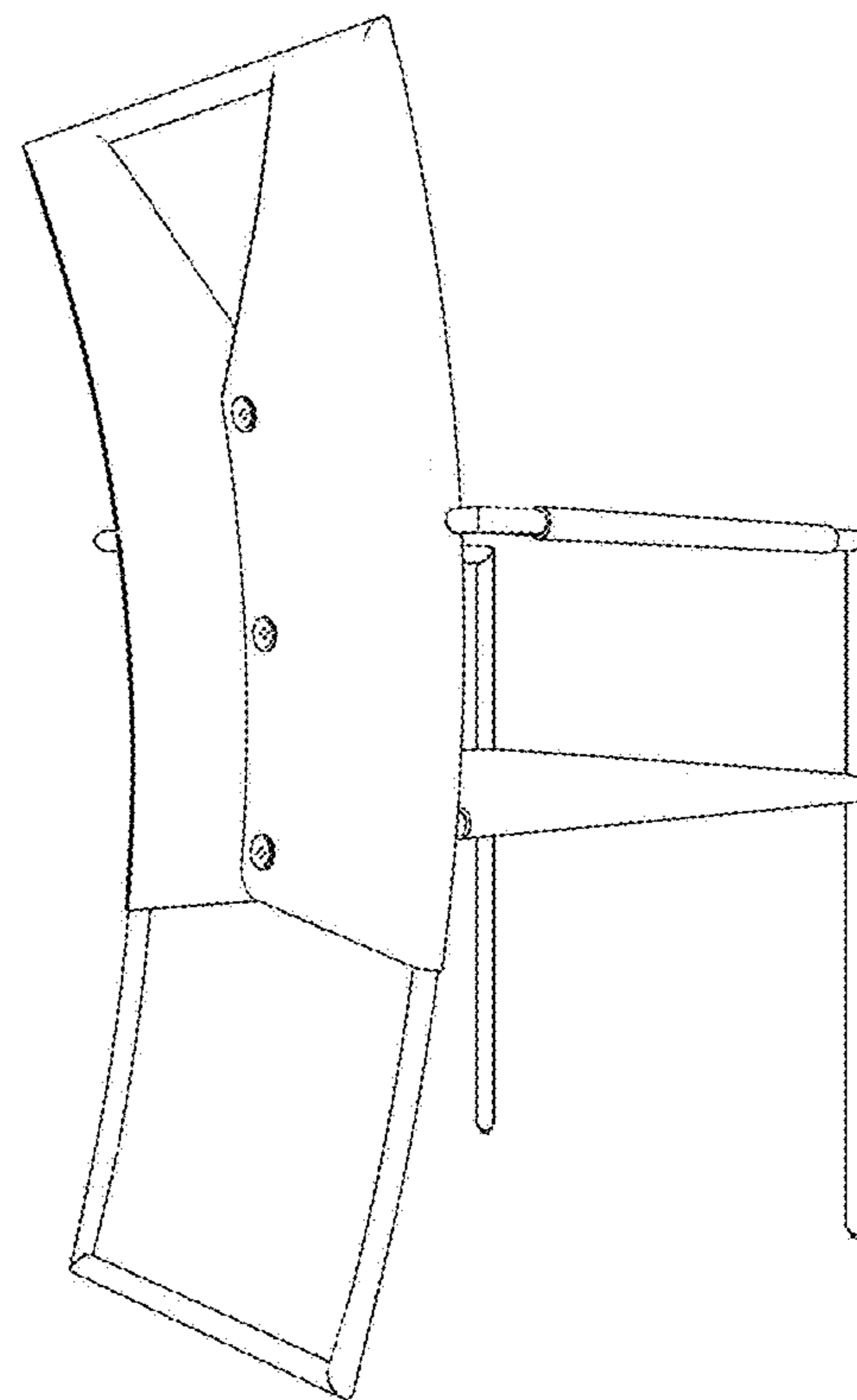
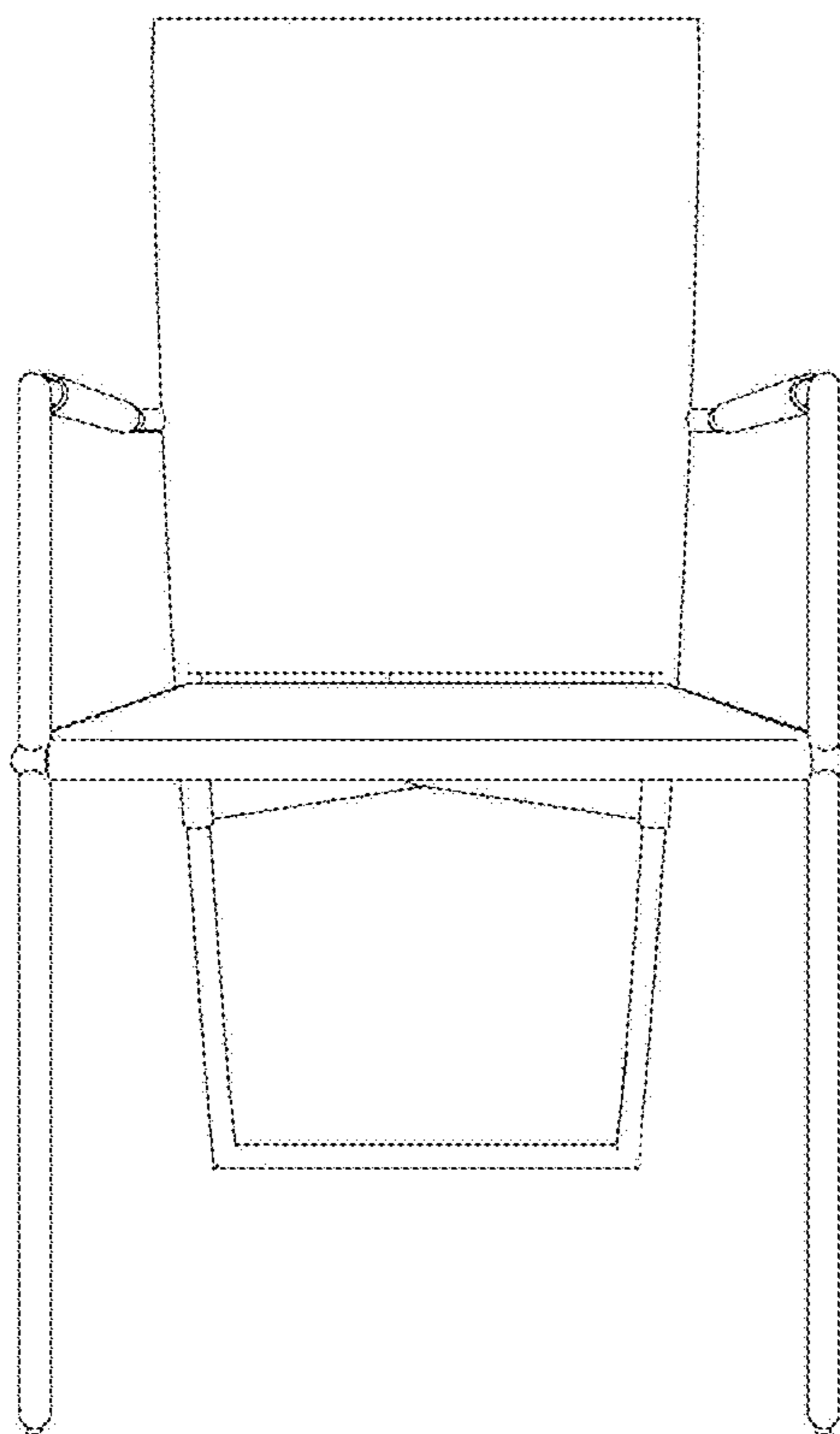
FIG. 1 is a front perspective view of a chair showing my new design.

FIG. 2 is a top view thereof;

FIG. 3 is a side perspective view thereof; and,

FIG. 4 is a rear perspective view thereof.

1 Claim, 2 Drawing Sheets



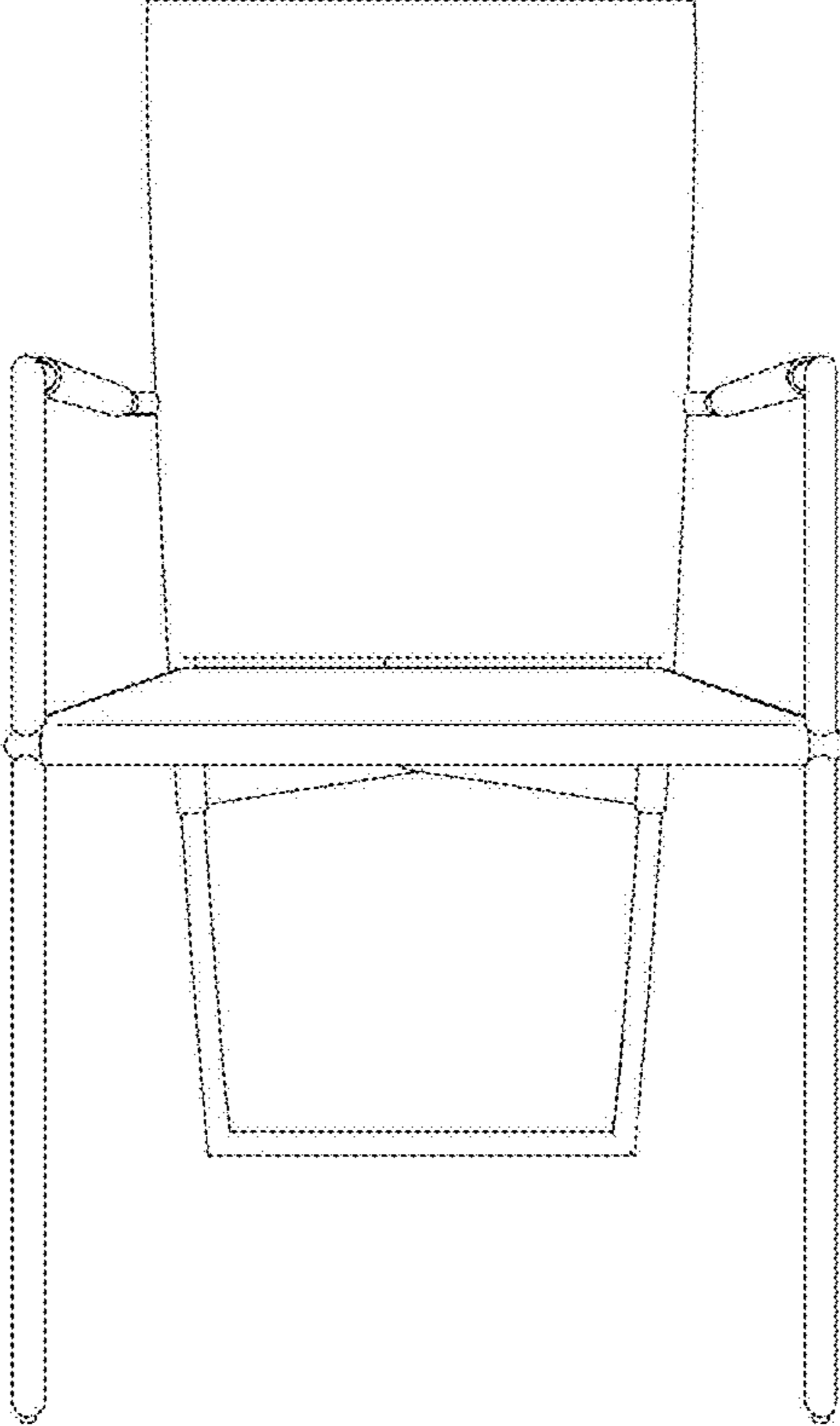


FIG. 1

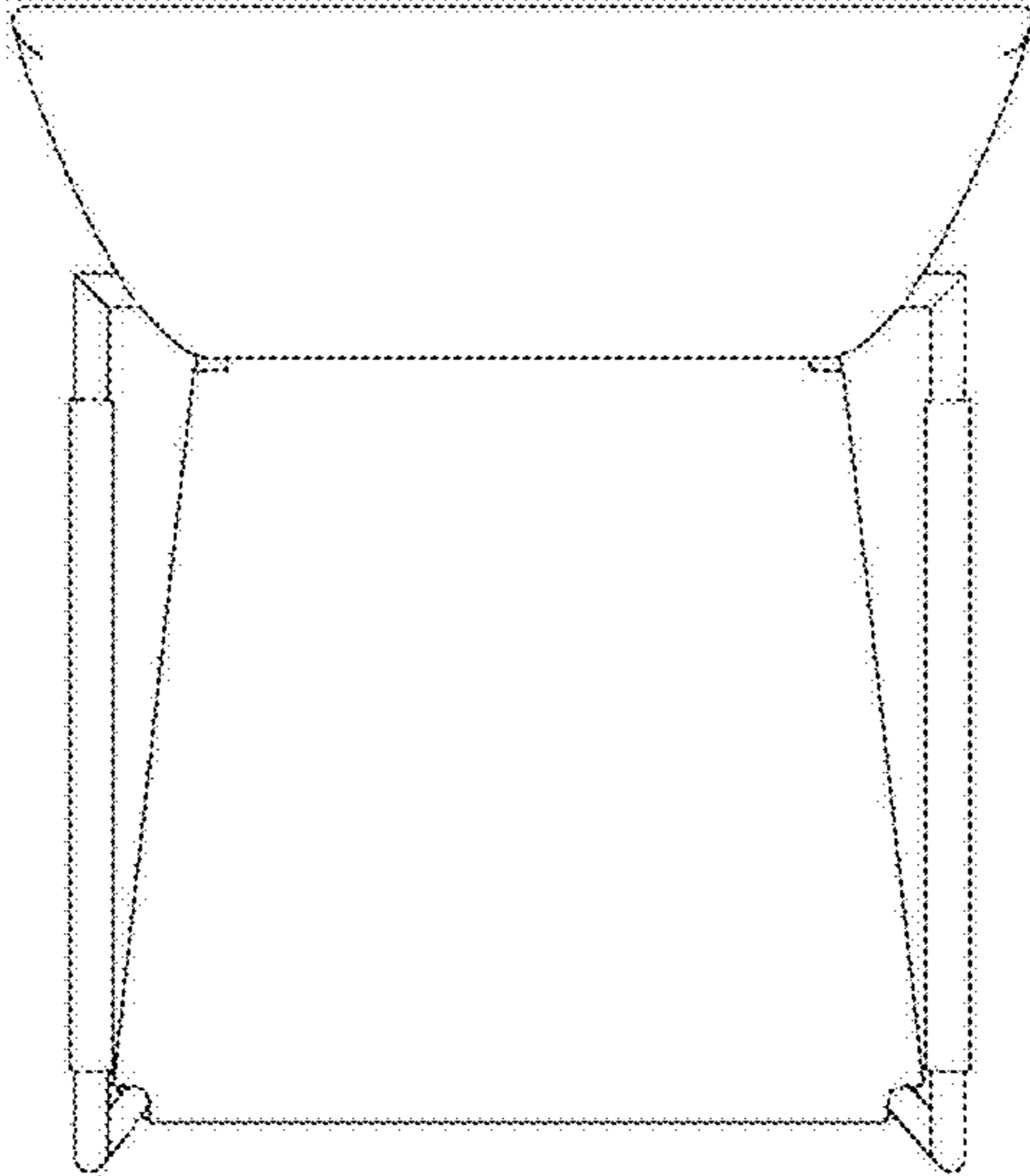


FIG. 2

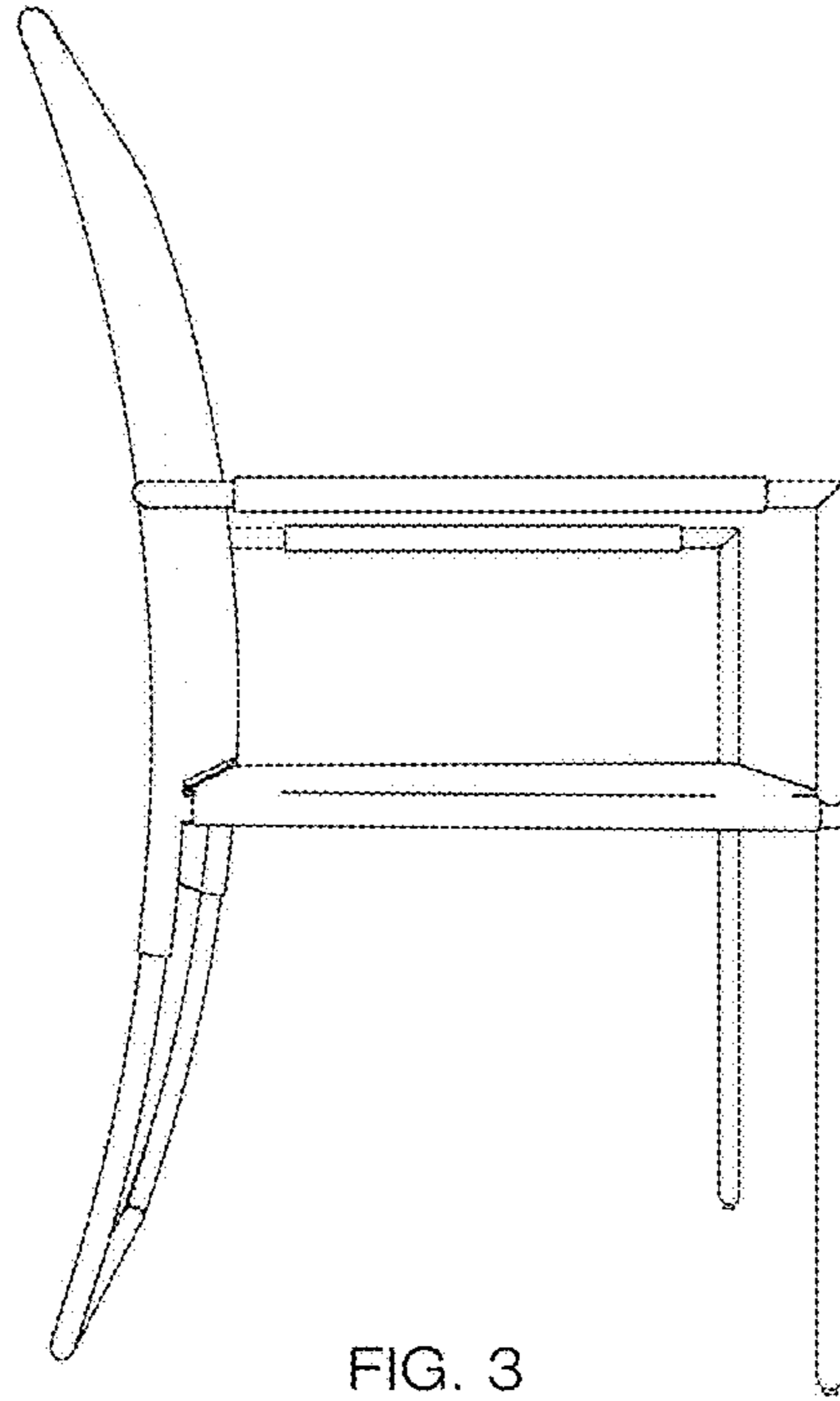


FIG. 3

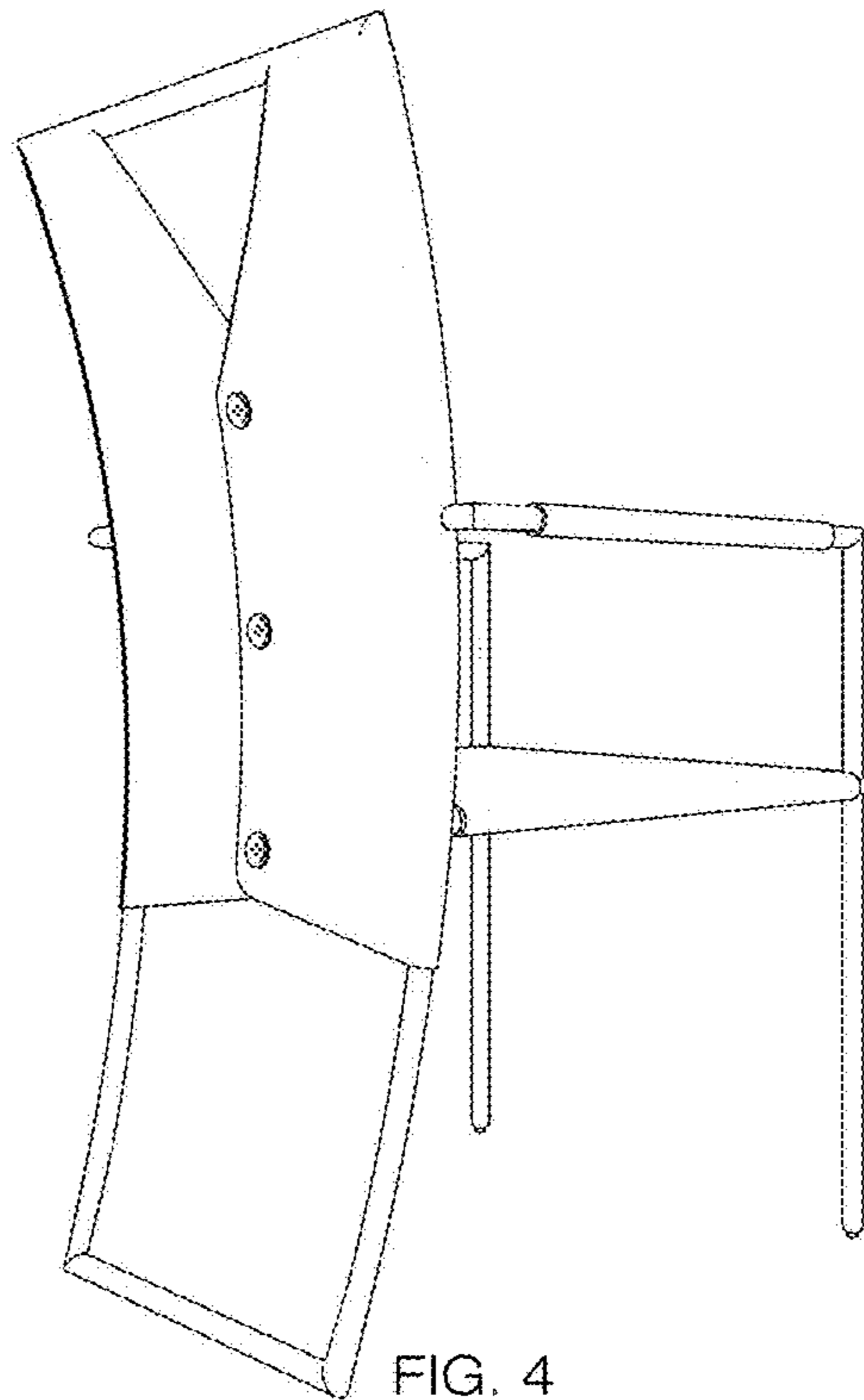


FIG. 4