



US00D802946S

(12) **United States Design Patent** (10) **Patent No.:** **US D802,946 S**
Lind-Bendixen (45) **Date of Patent:** **** Nov. 21, 2017**

(54) **COLLAPSIBLE STOOL**

(71) Applicant: **SITPACK ApS**, Copenhagen (DK)
(72) Inventor: **Jonas Lind-Bendixen**, Copenhagen (DK)

(73) Assignee: **Sitpack ApS**, Copenhagen (DK)

(**) Term: **14 Years**

(21) Appl. No.: **29/523,516**

(22) Filed: **Apr. 10, 2015**

(30) **Foreign Application Priority Data**

Oct. 10, 2014 (EM) 002555250

(51) **LOC (10) Cl.** **06-01**

(52) **U.S. Cl.**
USPC **D6/353; D6/364**

(58) **Field of Classification Search**
USPC D6/334, 335, 350, 352-355, 360, 364,
D6/365, 367, 368, 709, 709.2, 712, 716,
(Continued)

(56) **References Cited**

U.S. PATENT DOCUMENTS

444,621 A * 1/1891 Schneider A45B 5/00
135/66
D31,697 S * 10/1899 Bilhoefer D6/349
(Continued)

FOREIGN PATENT DOCUMENTS

DE 202007016631 U1 4/2008

OTHER PUBLICATIONS

“SitPack—Kickstarter.” Found online Nov. 14, 2016 at www.kickstarter.com. Page dated Nov. 17, 2014. Retrieved from <URL:https://web.archive.org/web/20141117165705/https://www.kickstarter.com/projects/rest/rest-the-worlds-most-compact-foldable-seat>.*

(Continued)

Primary Examiner — Caron D Veynar
Assistant Examiner — Katelin G Kloberg
(74) *Attorney, Agent, or Firm* — Ohlandt, Greeley,
Ruggiero & Perle, LLP

(57) **CLAIM**

The ornamental design for a collapsible stool, as shown and described.

DESCRIPTION

FIG. 1 is a top, front, left side perspective view of a first embodiment of a collapsible stool showing my design in a closed configuration;

FIG. 2 is an alternate top, front, left perspective view thereof;

FIG. 3 is a bottom, front, left side perspective view thereof; FIG. 4 is a front elevational view thereof, the rear view being identical thereto;

FIG. 5 is a left side elevational view thereof, the right side view being identical thereto;

FIG. 6 is a bottom plan view thereof;

FIG. 7 is a top, front, left side perspective view thereof, shown in a partially open configuration;

FIG. 8 is an alternate top, front, left side perspective view thereof;

FIG. 9 is a bottom, front, left side perspective view thereof; FIG. 10 is a front elevational view thereof, the rear view being identical thereto;

FIG. 11 is a top plan view thereof;

FIG. 12 is a top, front, left side perspective view thereof, shown in an open configuration;

FIG. 13 is an alternate top, front, left side perspective view thereof;

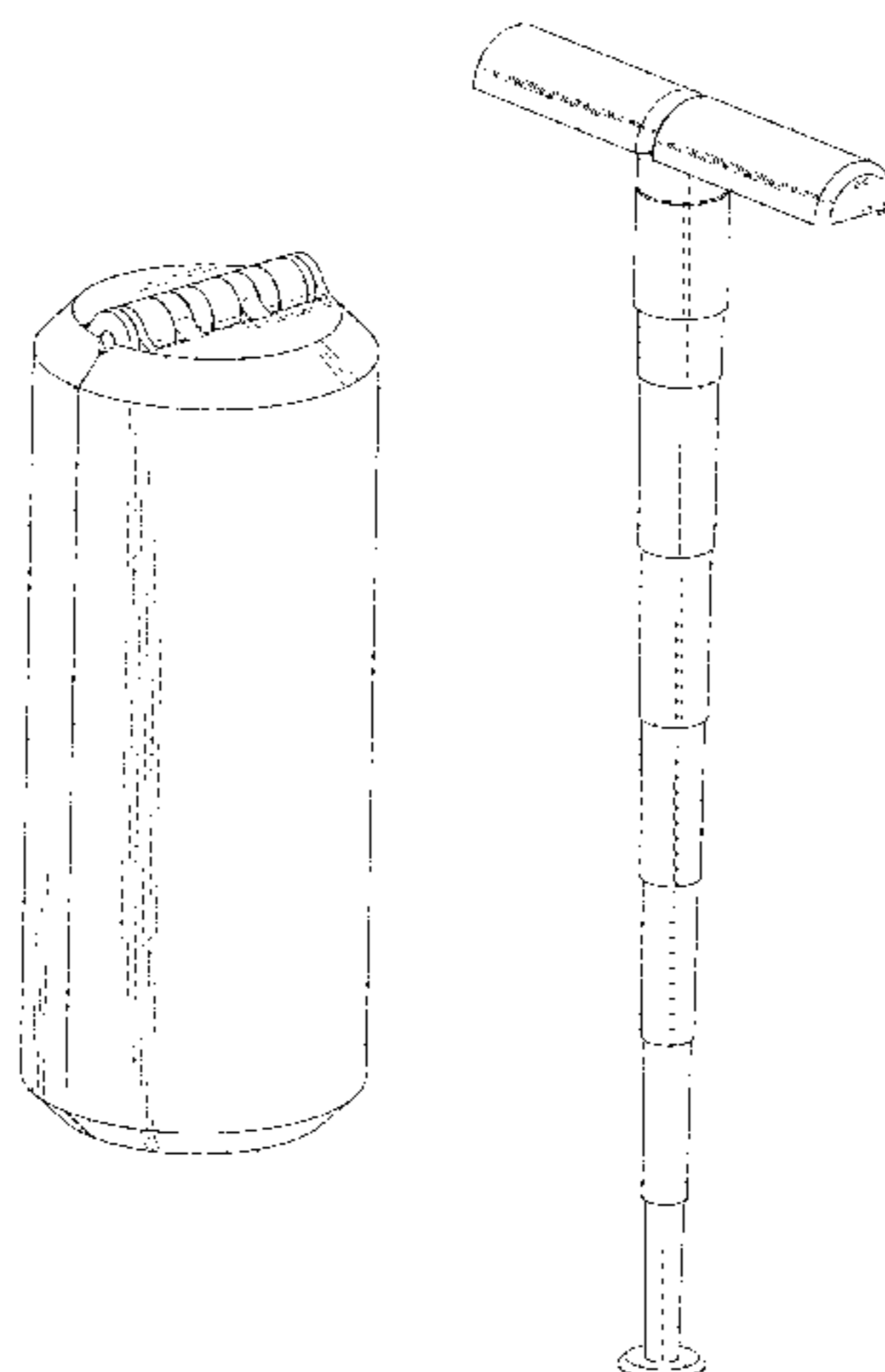
FIG. 14 is a bottom, front, left side perspective view thereof; FIG. 15 is a left side elevational view thereof, the right side view being identical thereto;

FIG. 16 is a front elevational view thereof, the rear view being identical thereto; and,

FIG. 17 is a top plan view thereof.

The broken lines in the drawings represent portions of the design that form no part of the claimed design.

1 Claim, 12 Drawing Sheets



US D802,946 S

Page 2

(58) **Field of Classification Search**

USPC D6/716.1; D16/344, 345; D14/217, 251,
D14/299, 432, 451, 452
CPC A47C 9/025
See application file for complete search history.

8,403,408 B2* 3/2013 Hosler A47C 9/025
297/4
D716,570 S * 11/2014 Keen D6/349
D758,351 S * 6/2016 Zanders D14/217
2015/0048663 A1* 2/2015 Crabtree, Jr. A45B 5/00
297/338
2016/0278531 A1* 9/2016 Webb A47C 9/10

(56) **References Cited**

U.S. PATENT DOCUMENTS

731,437 A * 6/1903 Ozermak A45B 5/00
135/66
3,058,711 A * 10/1962 Kingsford A45B 5/00
248/155.2
4,098,478 A * 7/1978 Spitzke A47C 9/10
108/115
D365,695 S * 1/1996 Sibbitt, Sr. D6/364
D386,510 S * 11/1997 Peterson D16/244
7,740,308 B2* 6/2010 Mishly A47C 3/34
135/66

OTHER PUBLICATIONS

“Pantsformers.” Found online Dec. 1, 2016 at helix.gatech.edu.
Page dated Apr. 23, 2003. Retrieved from <URL:<http://helix.gatech.edu/classes/me4182/2003S1/webs/pantsformers/finalreport.htm>>.*
“Chased It or B Chased.” Found online Dec. 1, 2016 at
chaseitorbchased.com. Page dated Nov. 29, 2013. Retrieved from
<URL:<https://chaseitorbchased.com/2013/11/>>.*
“Human Kickstand.” Found online Dec. 1, 2016 at technabob.com.
Page dated Aug. 12, 2013. Retrieved from <URL:<http://technabob.com/blog/2013/08/12/mogo-human-kickstand/>>.*

* cited by examiner

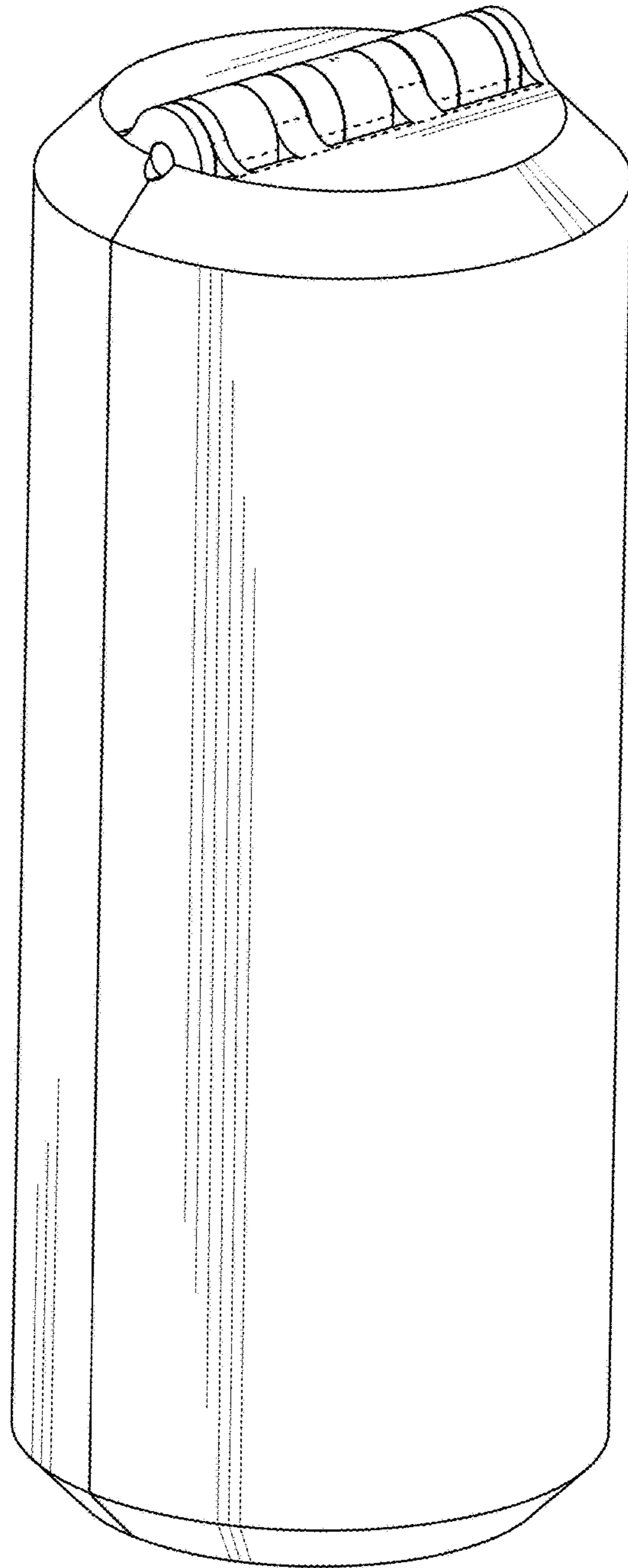


FIG. 1

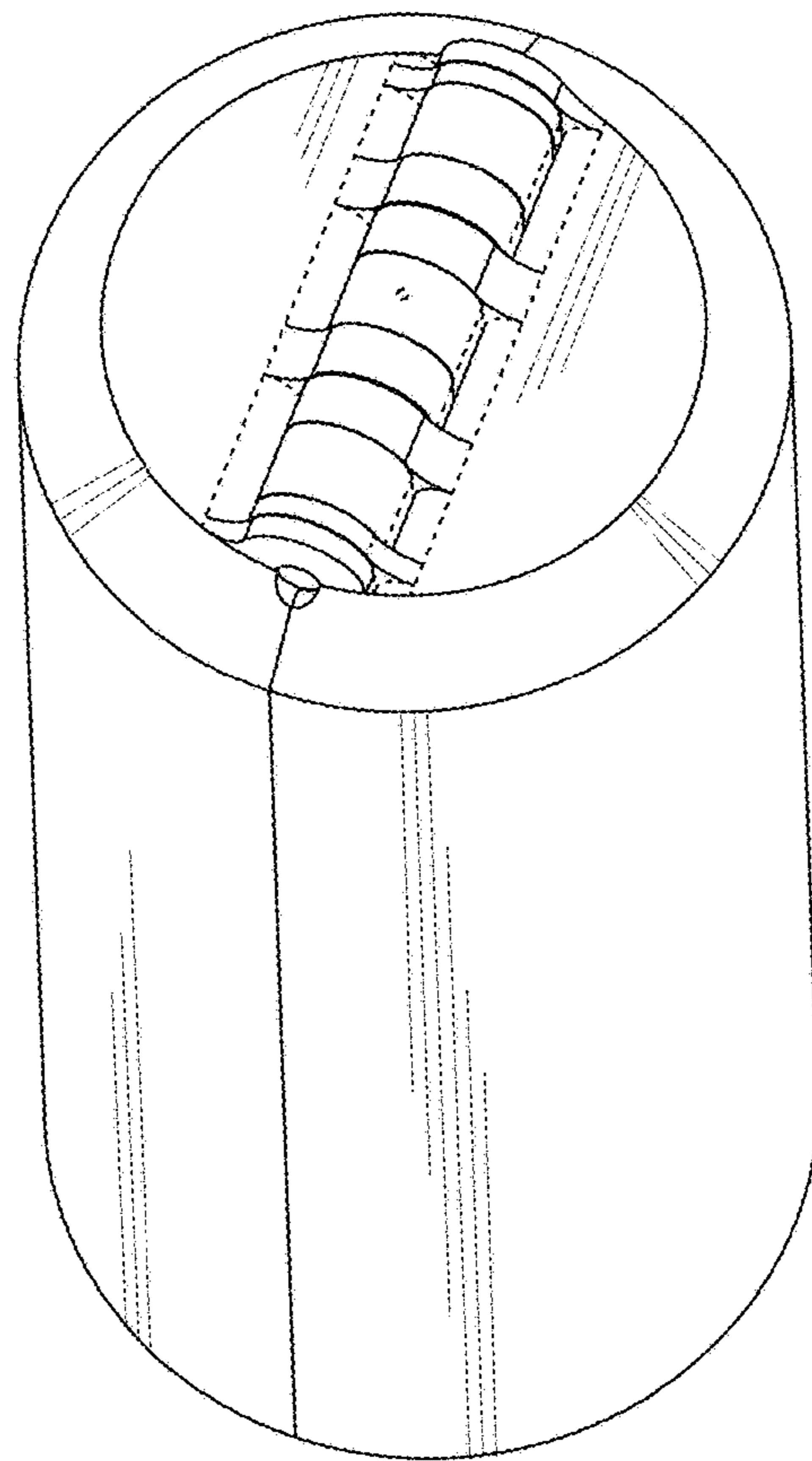


FIG. 2

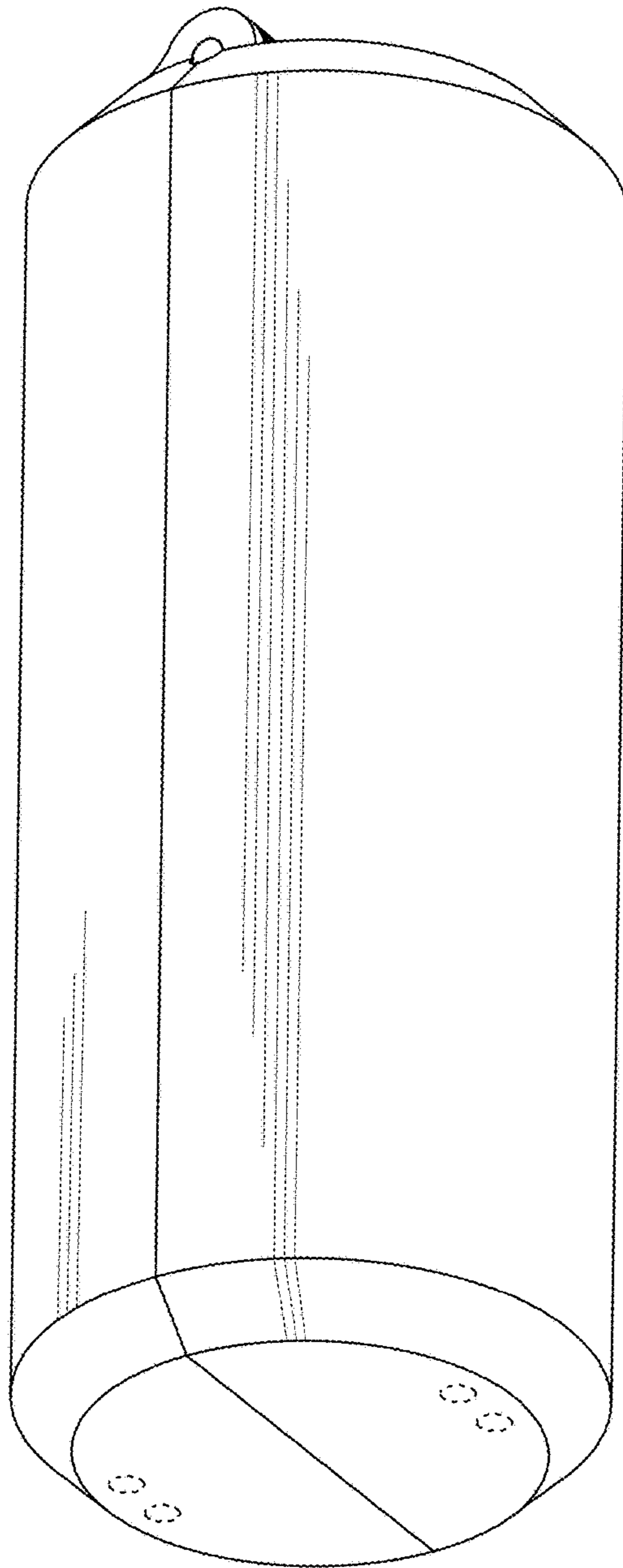


FIG. 3

FIG. 4

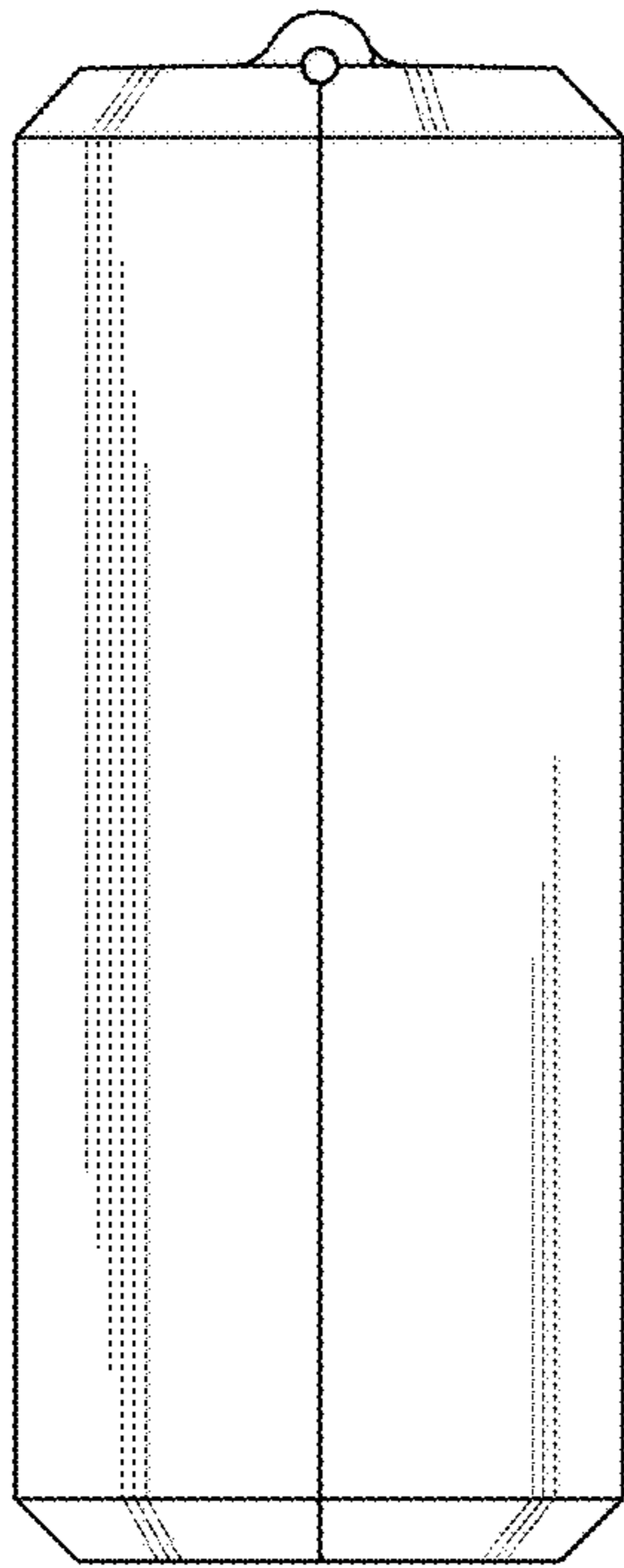


FIG. 5

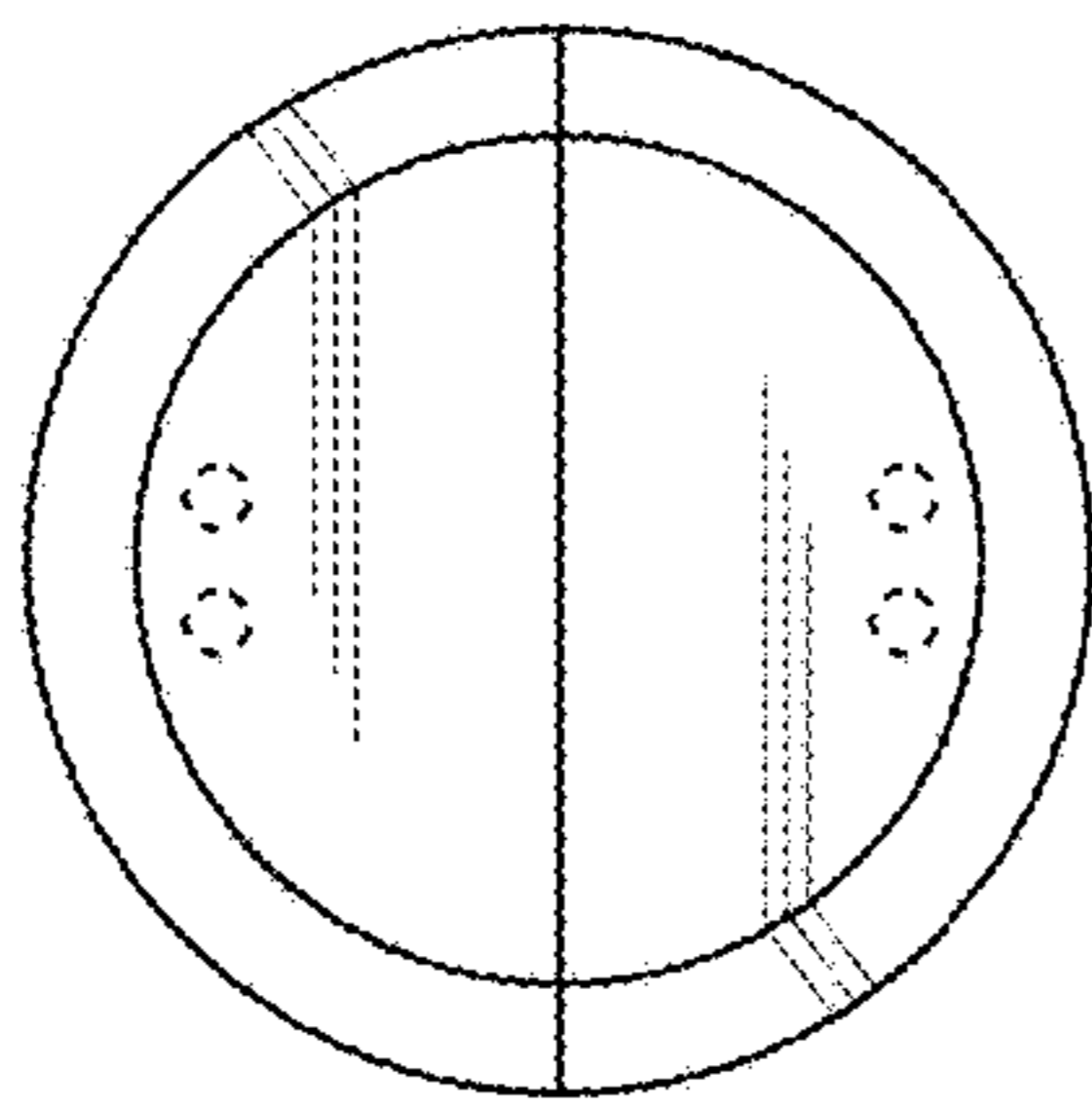
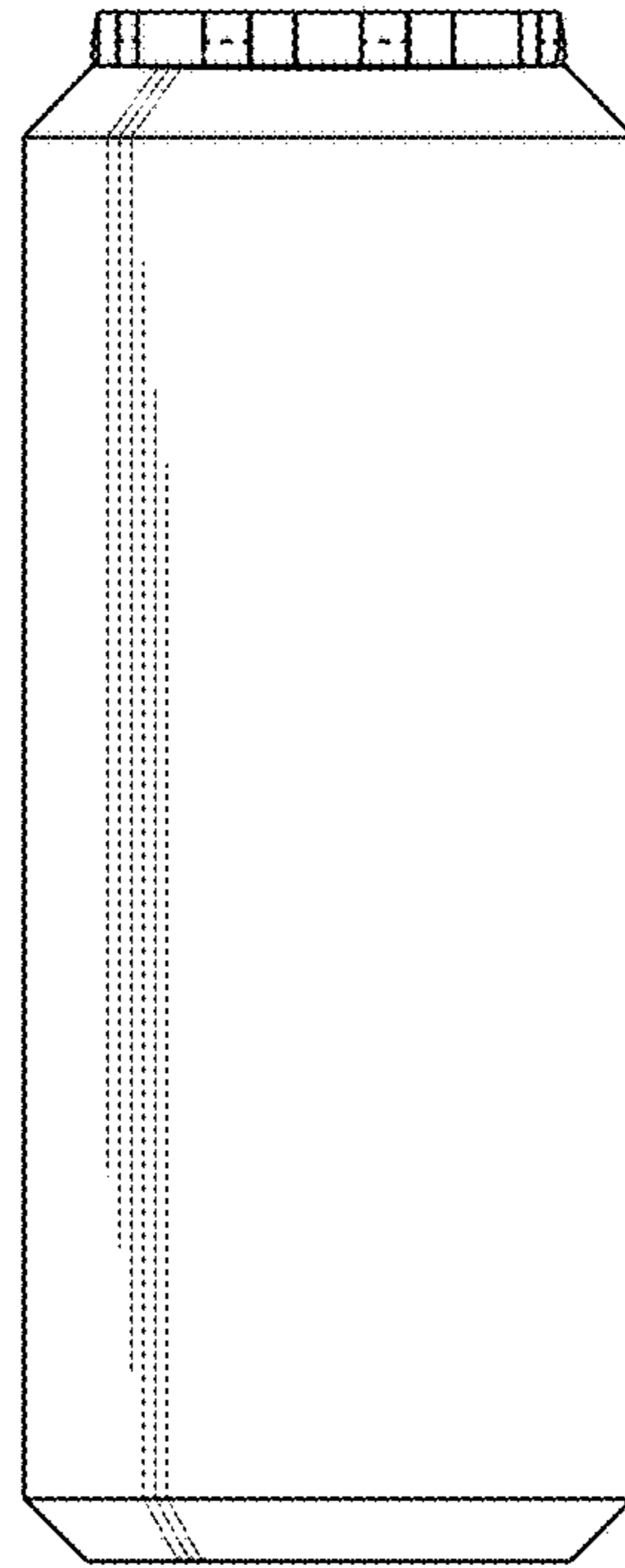


FIG. 6

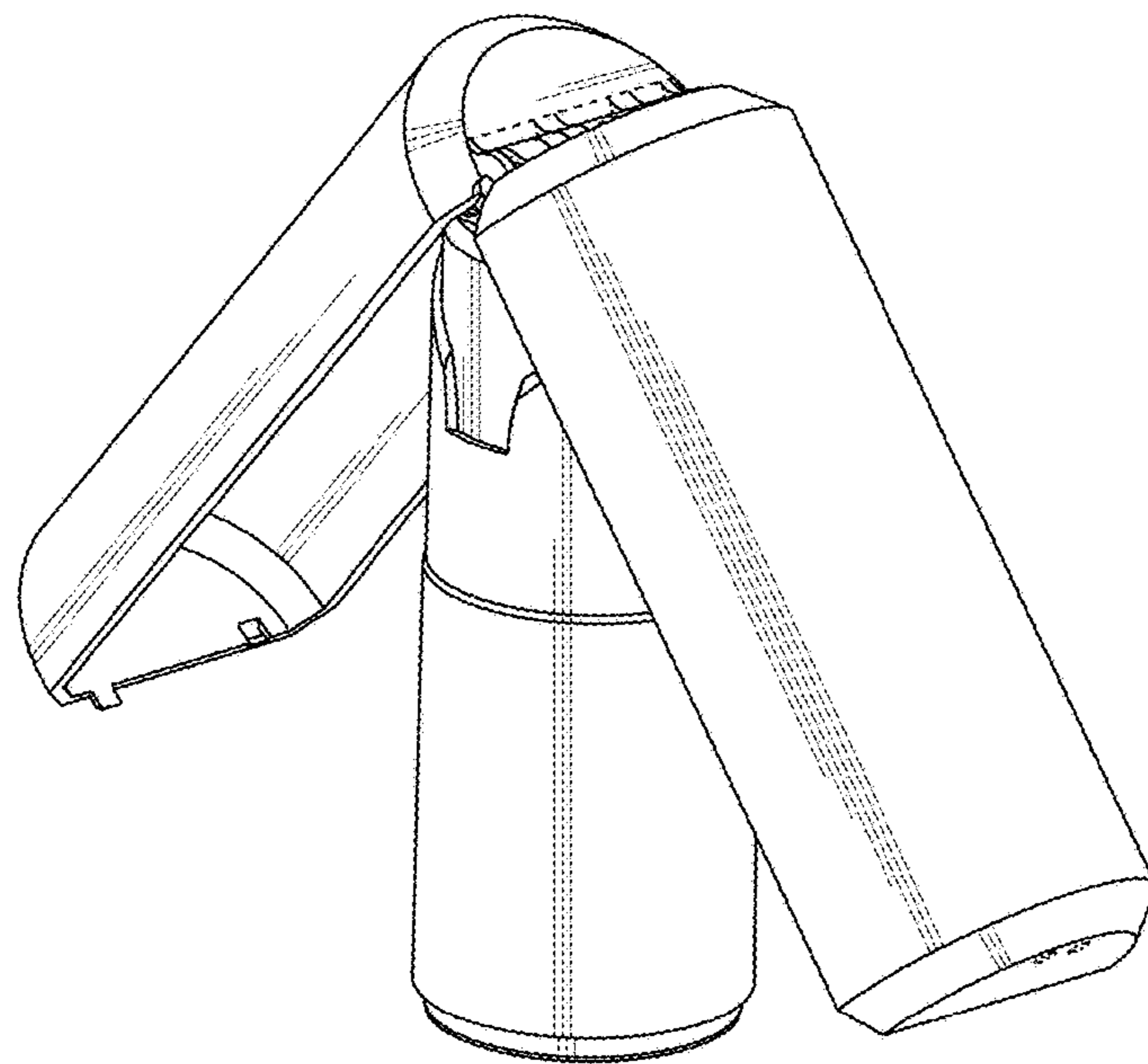


FIG. 7

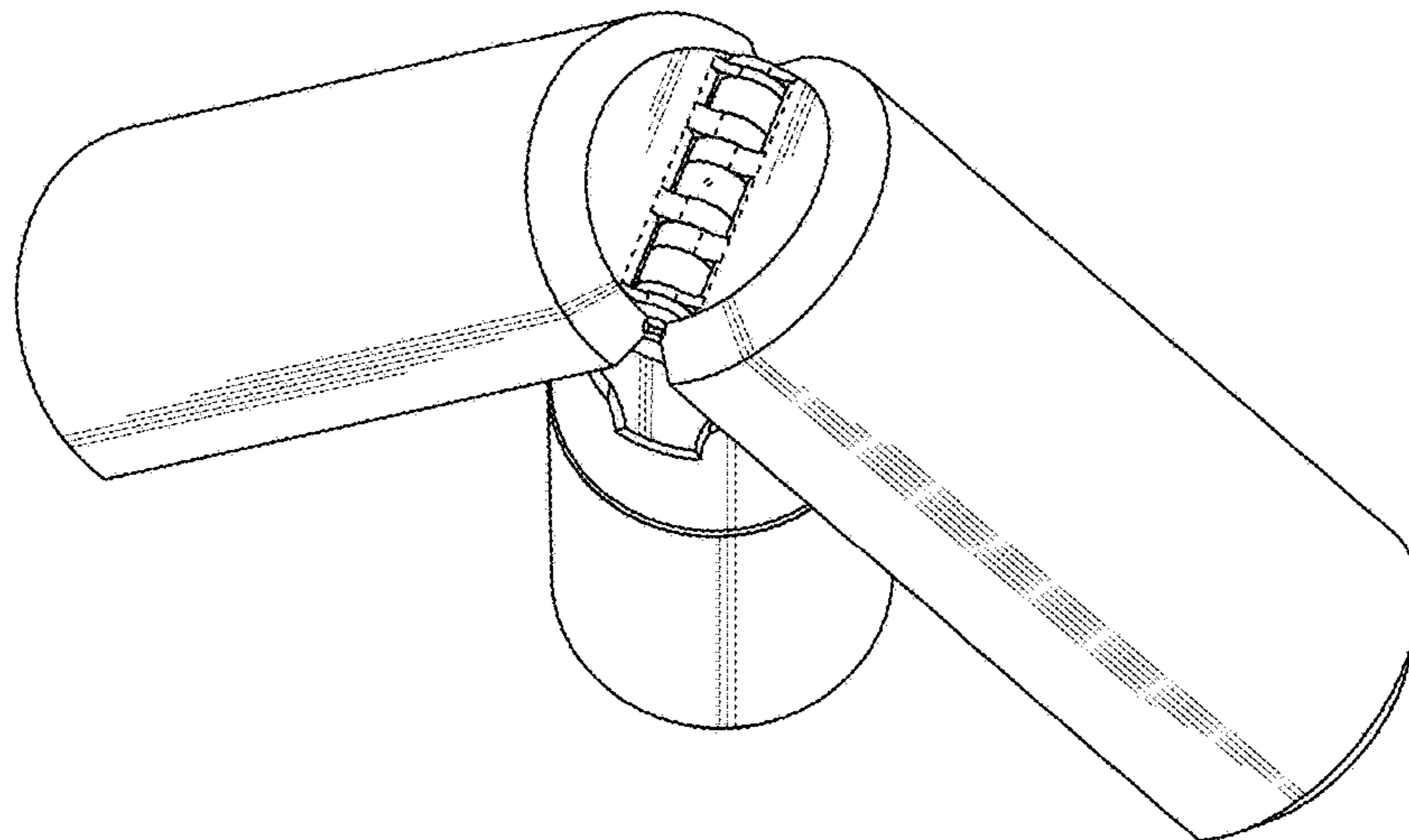


FIG. 8

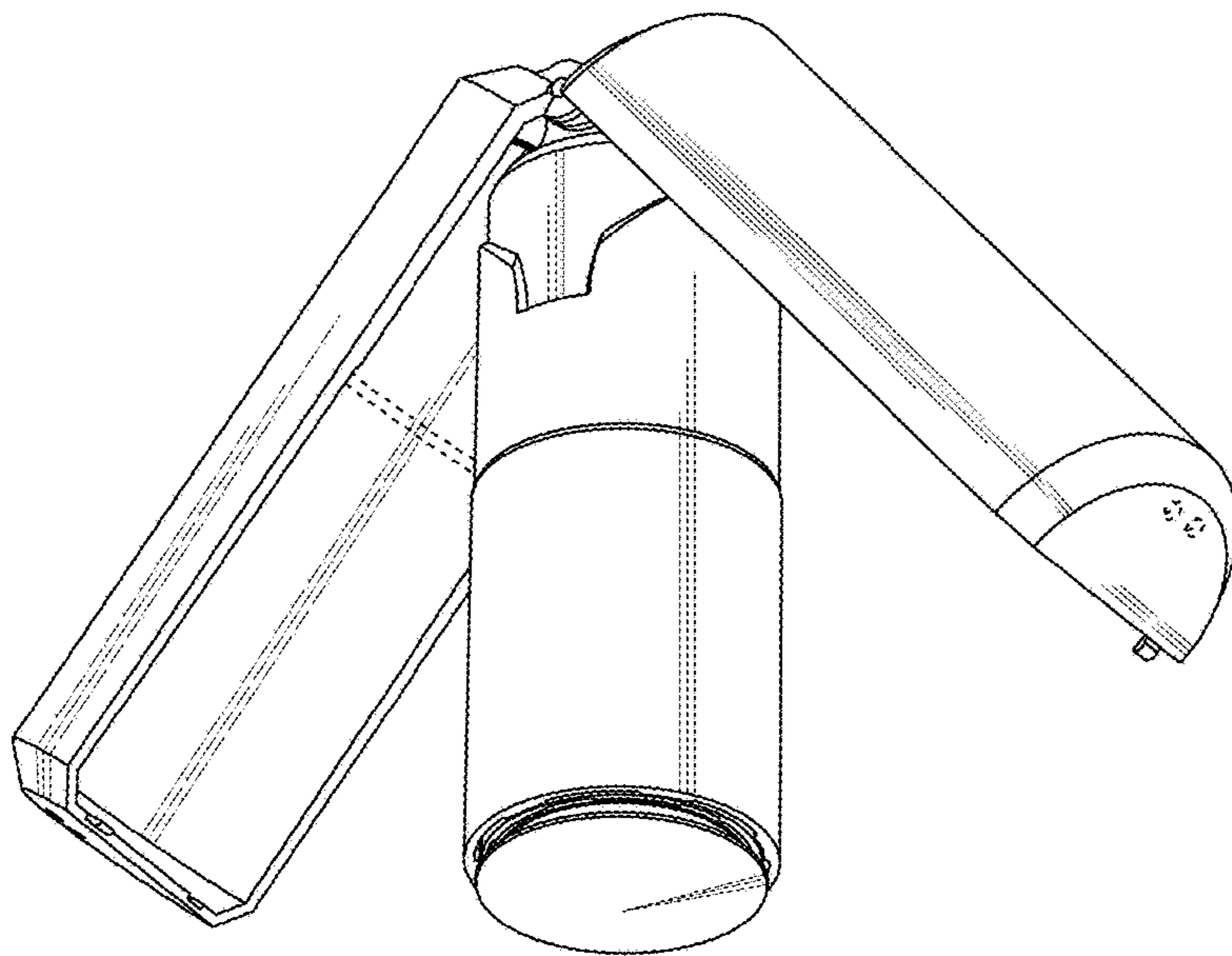


FIG. 9

FIG. 11

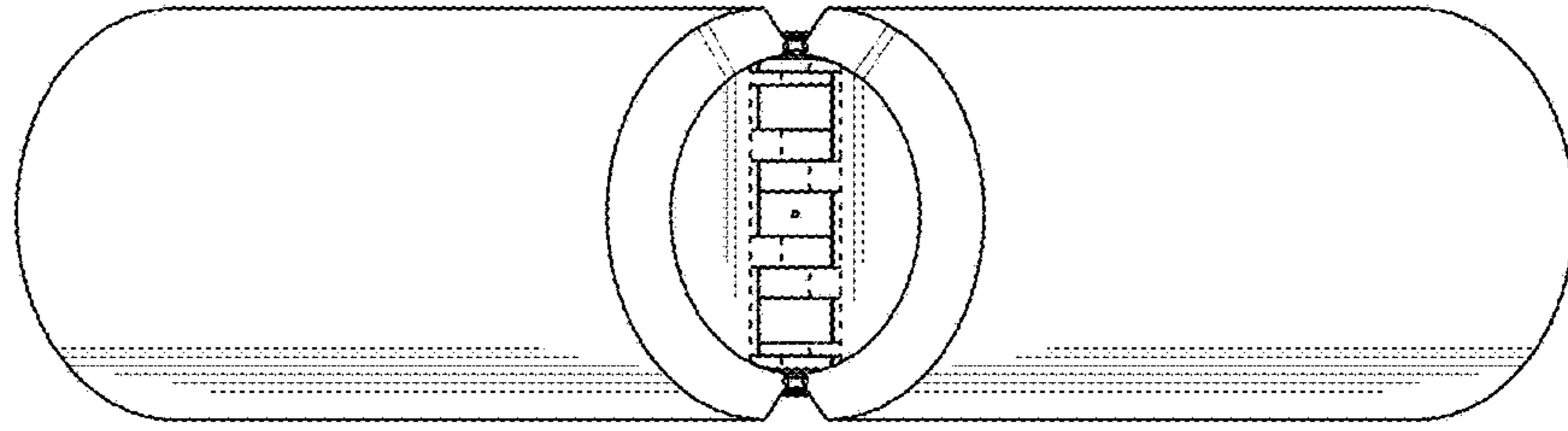
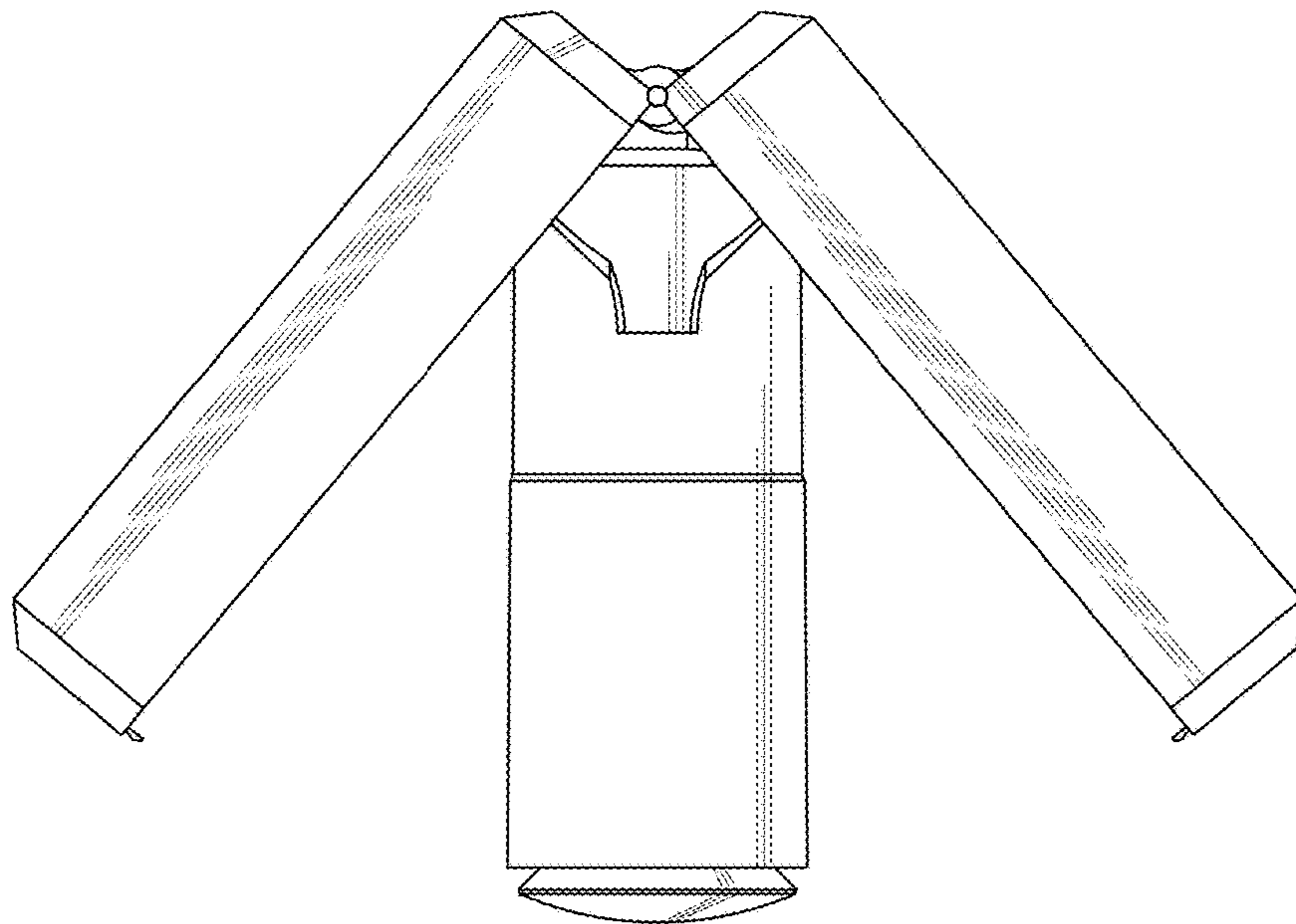


FIG. 10



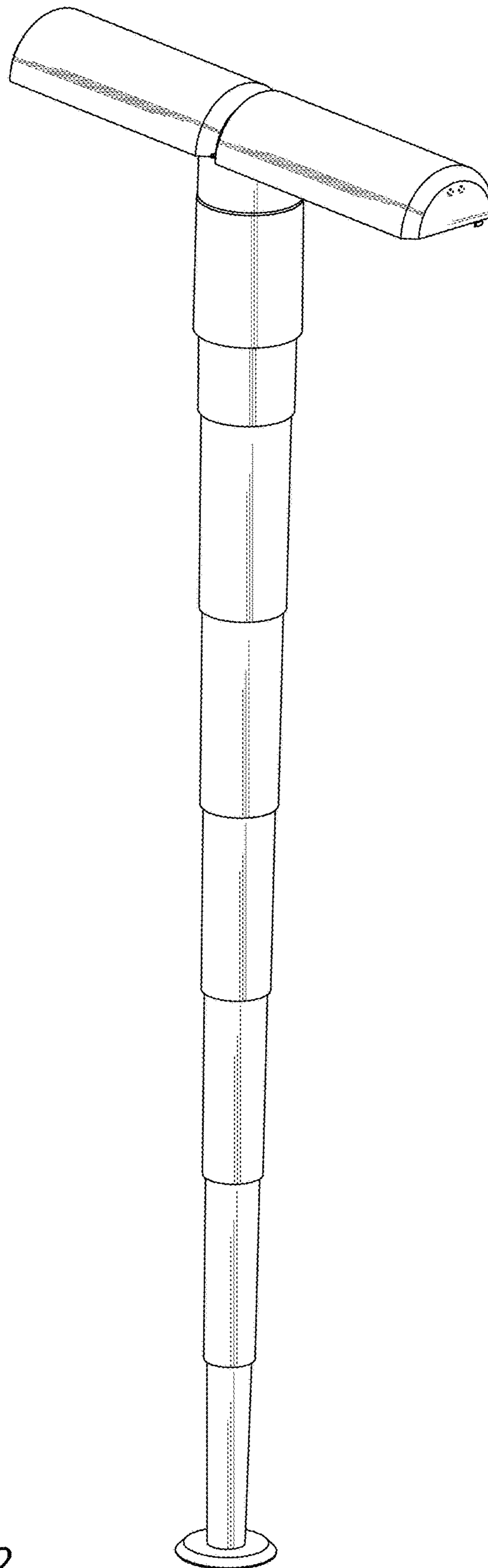


FIG. 12

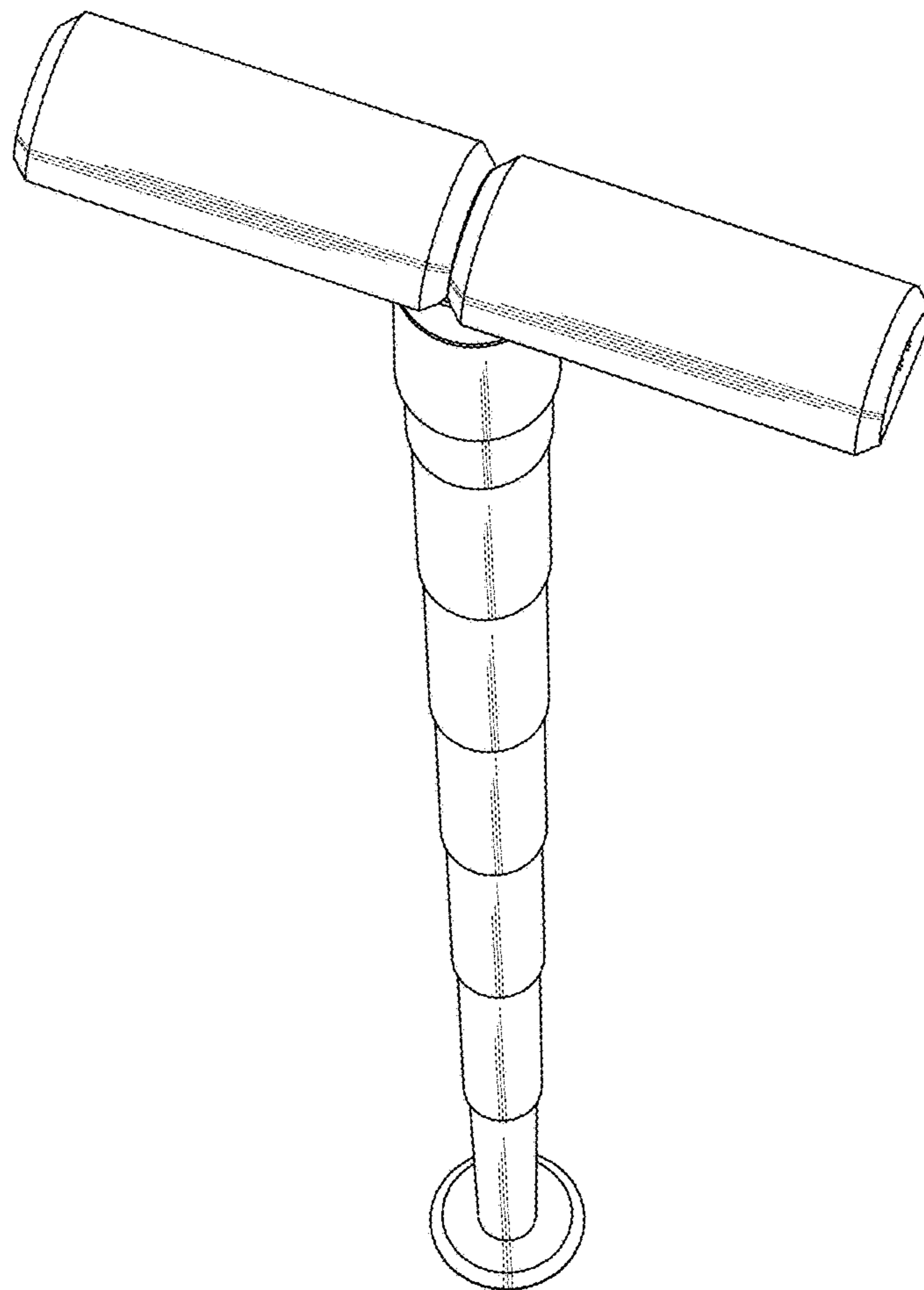


FIG. 13

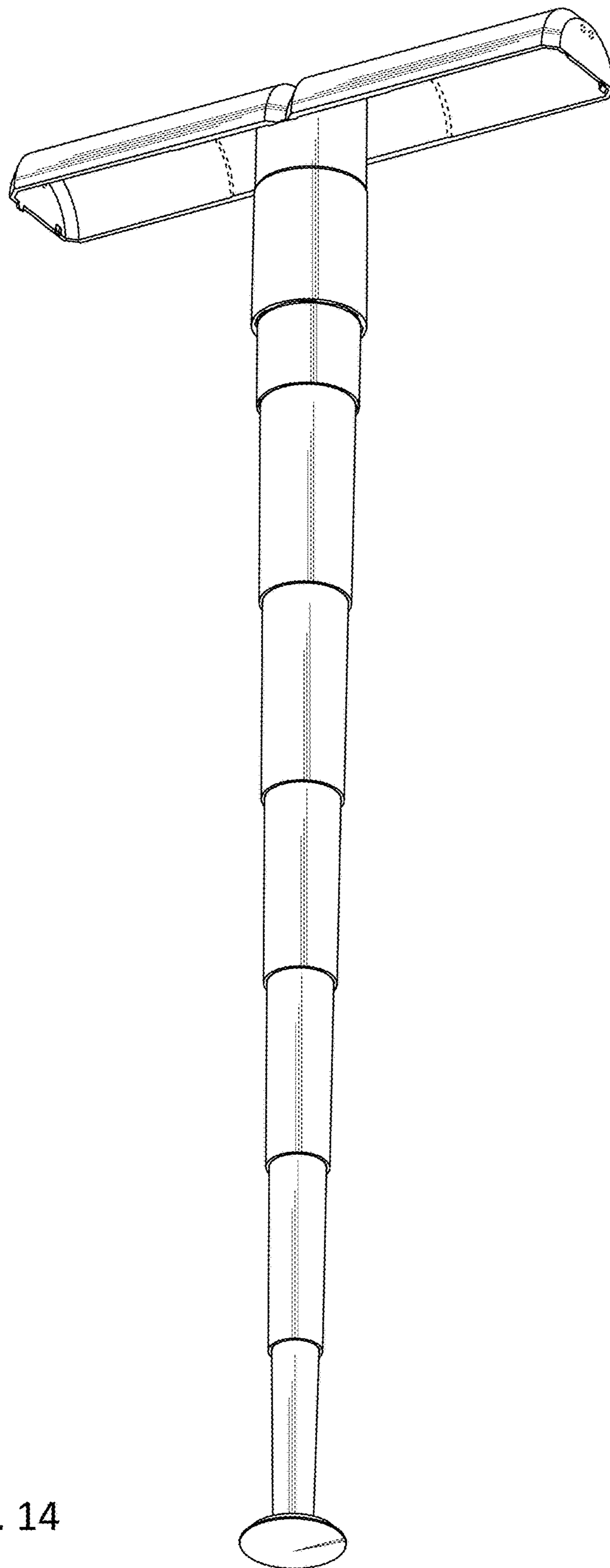


FIG. 14

FIG. 17

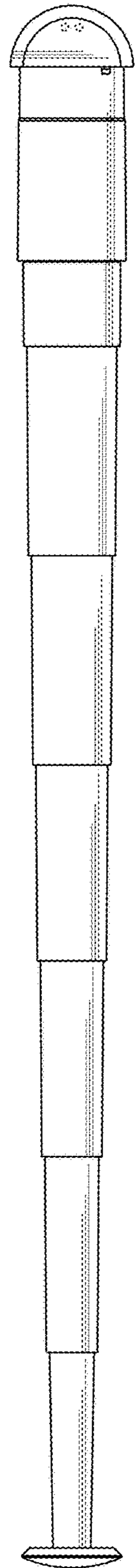
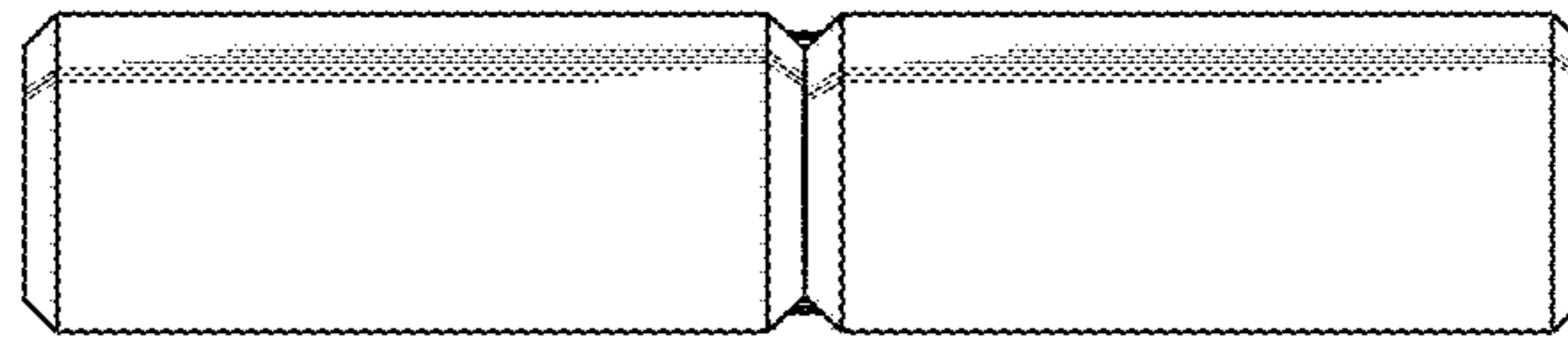


FIG. 15

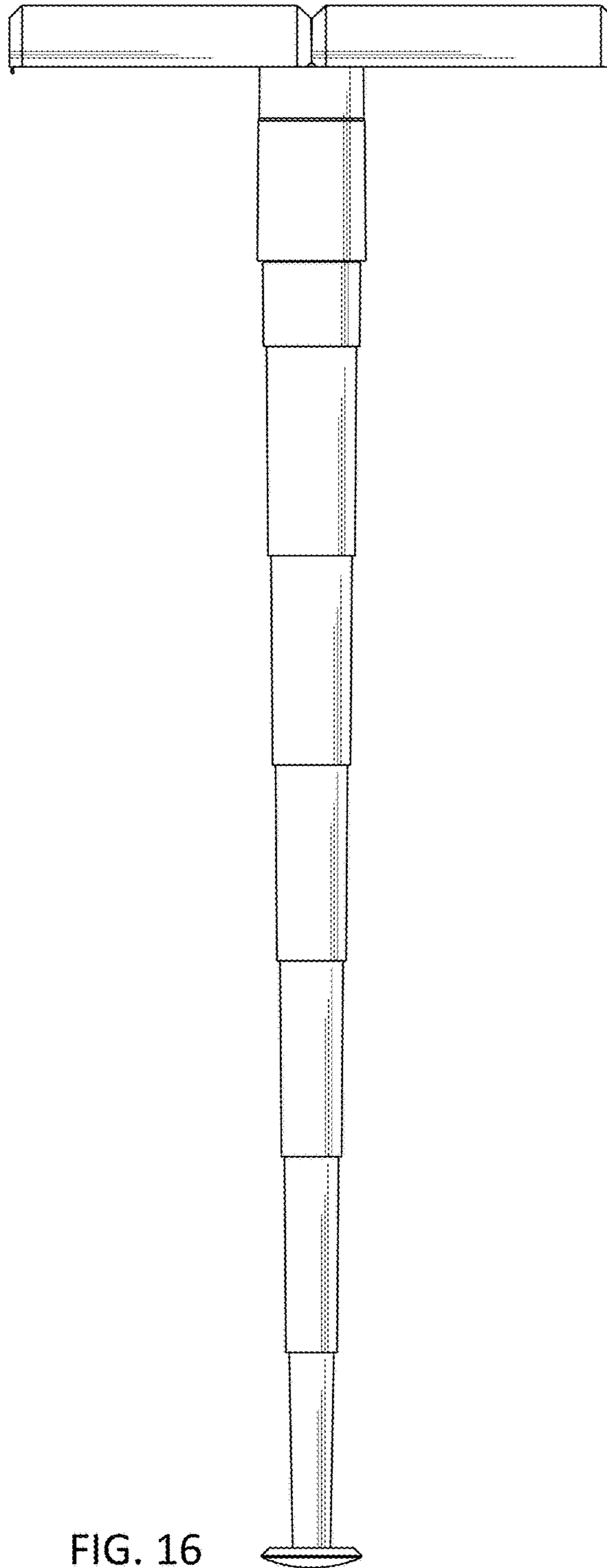


FIG. 16