



US00D802945S

(12) **United States Design Patent**
Rivera, Jr. et al.

(10) **Patent No.:** **US D802,945 S**

(45) **Date of Patent:** **** Nov. 21, 2017**

- (54) **MOBILE FOLDING TABLE**
- (71) Applicant: **AmTab Manufacturing Corporation**,
Aurora, IL (US)
- (72) Inventors: **Jeremias C. Rivera, Jr.**, Elmhurst, IL
(US); **Doss Samikkannu**, Des Plaines,
IL (US)
- (73) Assignee: **AmTab Manufacturing Corporation**,
Aurora, IL (US)
- (**) Term: **15 Years**
- (21) Appl. No.: **29/556,570**
- (22) Filed: **Mar. 1, 2016**
- (51) **LOC (10) Cl.** **06-01**
- (52) **U.S. Cl.**
USPC **D6/337**
- (58) **Field of Classification Search**
USPC D6/334–338, 340–342
CPC A47B 3/14; A47B 3/002; A47B 3/083;
A47B 3/087; A47B 2003/145; A47B
83/02
See application file for complete search history.

D573,360 S * 7/2008 Bue D6/337
D621,172 S * 8/2010 Rivera, Jr. D6/338
8,181,583 B2 * 5/2012 Rivera, Jr. A47B 3/083
108/168
9,101,218 B2 * 8/2015 Bradley A47B 3/14
9,297,395 B2 * 3/2016 Rivera F16B 2/185
2005/0161984 A1 * 7/2005 Bue A47B 3/14
297/158.4

(Continued)

Primary Examiner — Deanna L Pratt
(74) *Attorney, Agent, or Firm* — Hinshaw & Culbertson
LLP

(57) **CLAIM**

We claim the ornamental design for a mobile folding table,
as shown.

DESCRIPTION

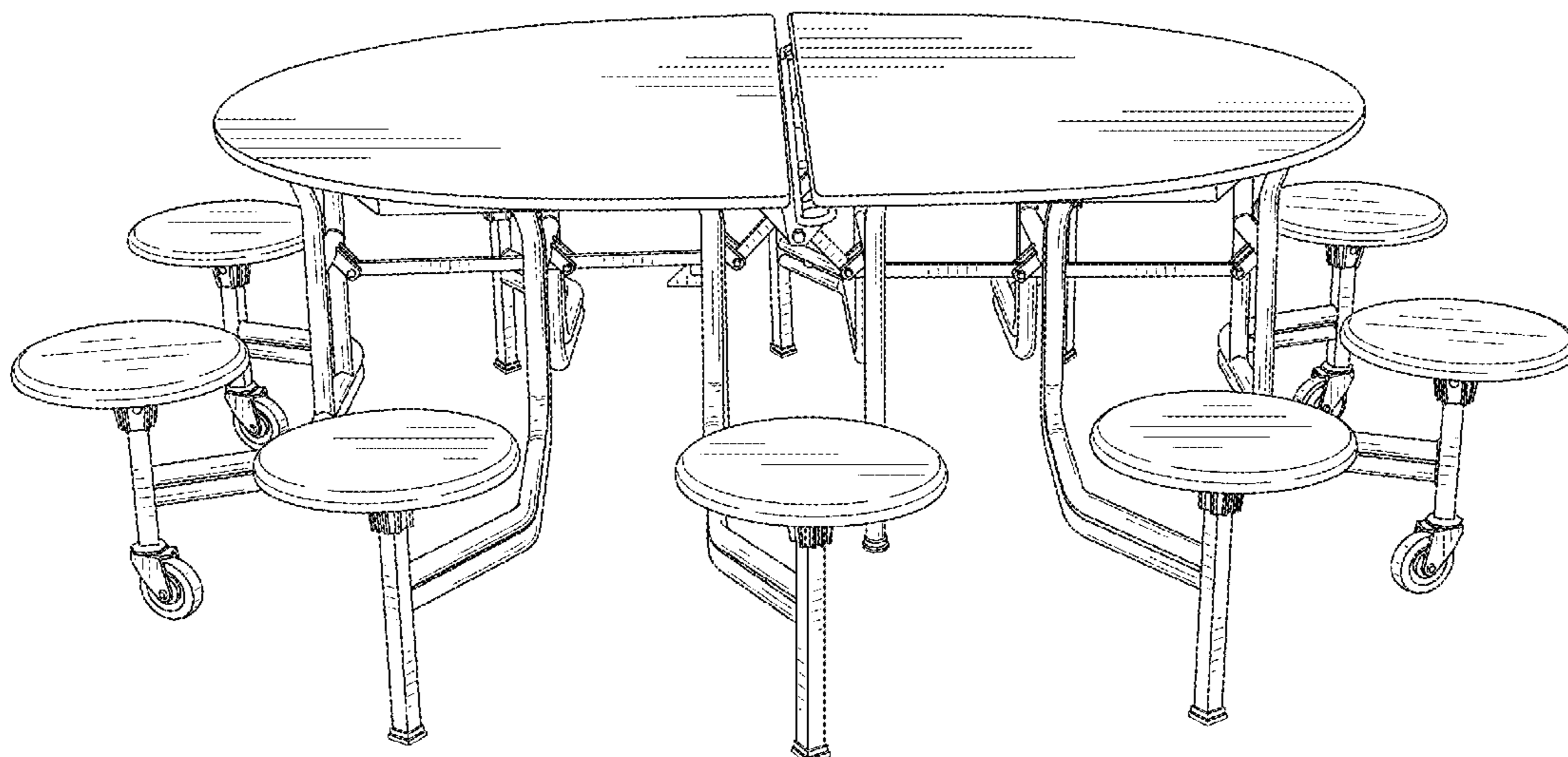
FIG. 1 is a front perspective view of the mobile folding table of the invention.
FIG. 2 is a front elevation view of the mobile folding table of the invention.
FIG. 3 is a rear elevation view of the mobile folding table of the invention.
FIG. 4 is a left side elevation view of the mobile folding table of the invention.
FIG. 5 is a right side elevation view of the mobile folding table of the invention.
FIG. 6 is a top plan view of the mobile folding table of the invention.
FIG. 7 is a bottom plan view of the mobile folding table of the invention.
FIG. 8 is a front elevation view of a center table leg included in the mobile folding table of the invention.
FIG. 9 is a left side elevation view of the center table leg shown in FIG. 8; and,
FIG. 10 is a top plan view of the center table leg shown in FIG. 8.

1 Claim, 8 Drawing Sheets

(56) **References Cited**

U.S. PATENT DOCUMENTS

D194,038 S *	11/1962	Preston	D6/337
D244,409 S *	5/1977	Arnold	D6/337
D250,151 S *	11/1978	Pingel	D6/337
D369,913 S *	5/1996	Noll	D6/337
D413,734 S *	9/1999	Bue	D6/337
6,065,802 A *	5/2000	Bue	A47B 3/14 108/168
D439,060 S *	3/2001	Larsen	D6/337
D448,938 S *	10/2001	Ng	D6/337
D456,155 S *	4/2002	DeVriendt	D6/337
D478,732 S *	8/2003	Pajerski	D6/337
D511,252 S *	11/2005	Hightower	D6/337
D514,830 S *	2/2006	Bue	D6/337



(56)

References Cited

U.S. PATENT DOCUMENTS

2012/0204766 A1* 8/2012 Elliott A47B 3/002
108/50.11

* cited by examiner

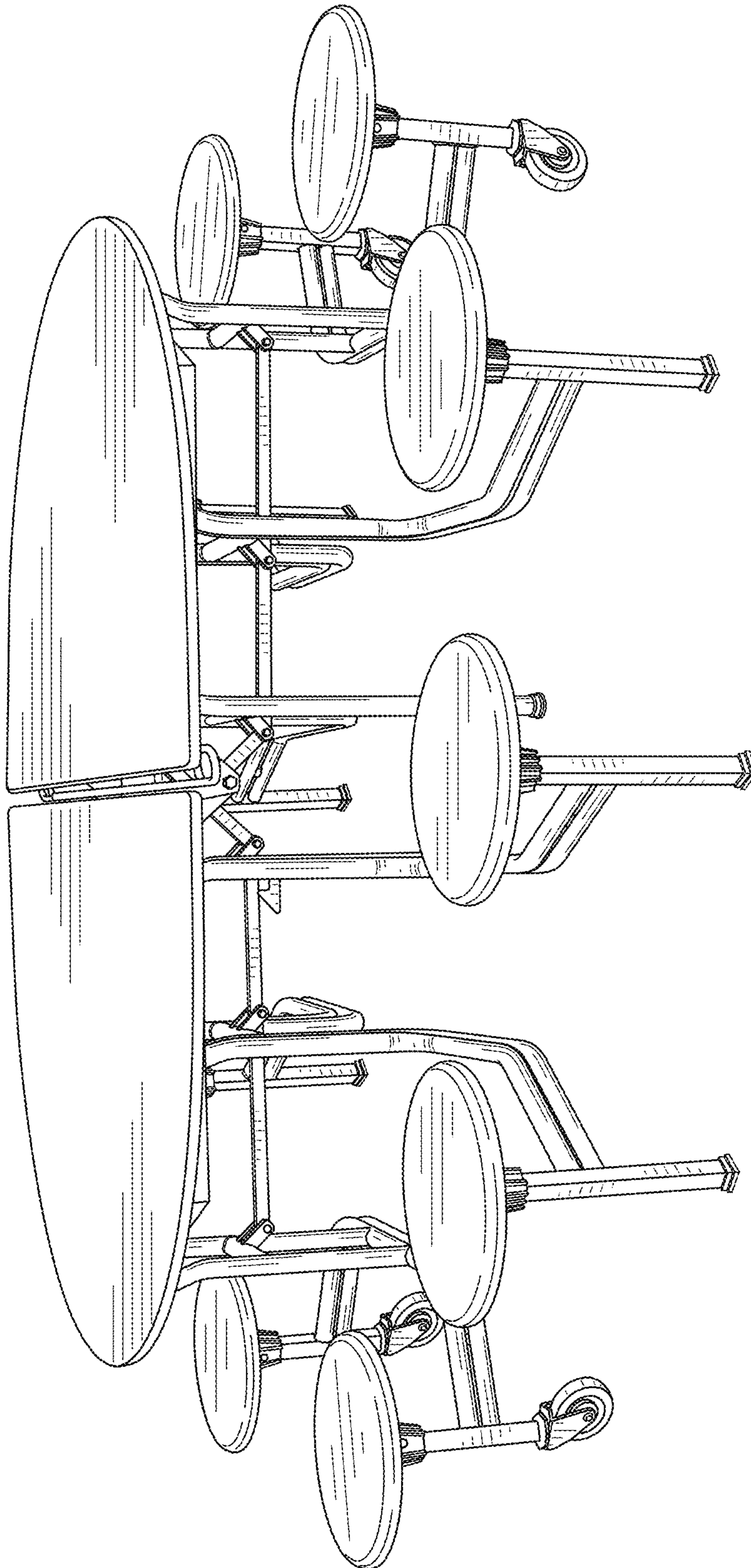


FIG. 1

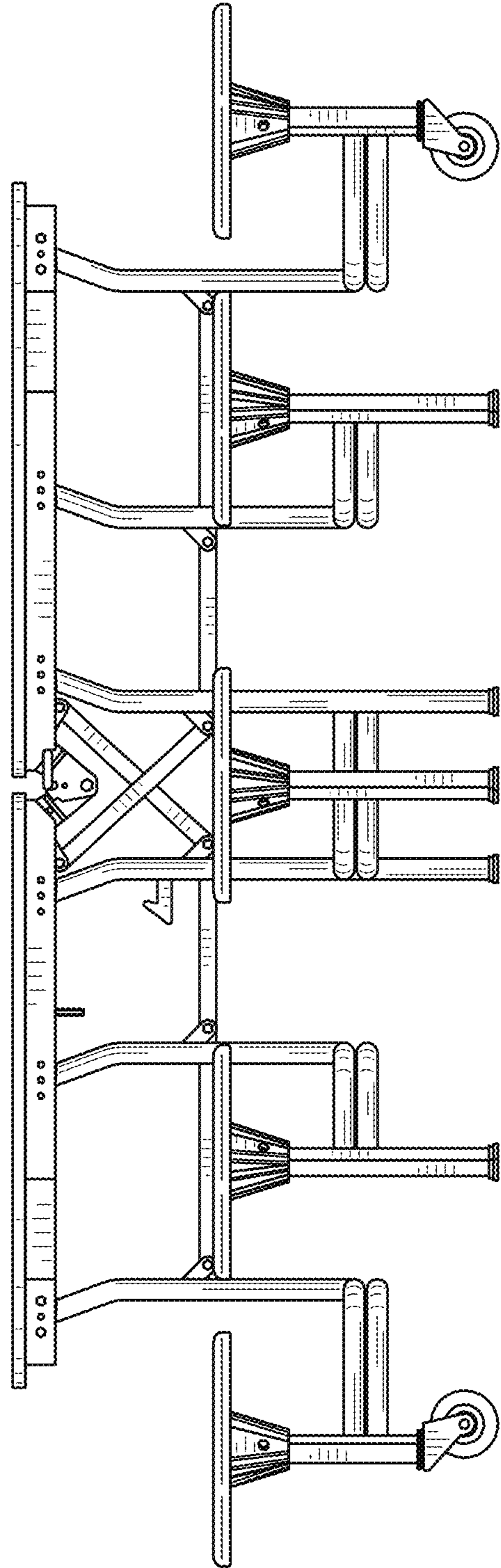


FIG. 2

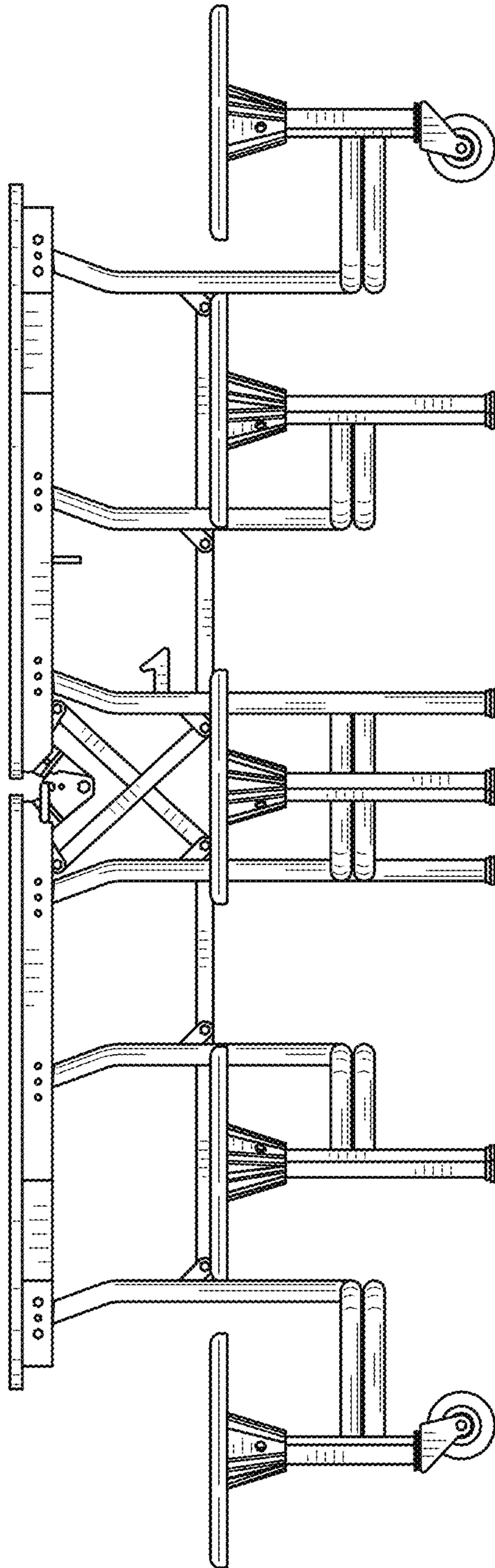


FIG. 3

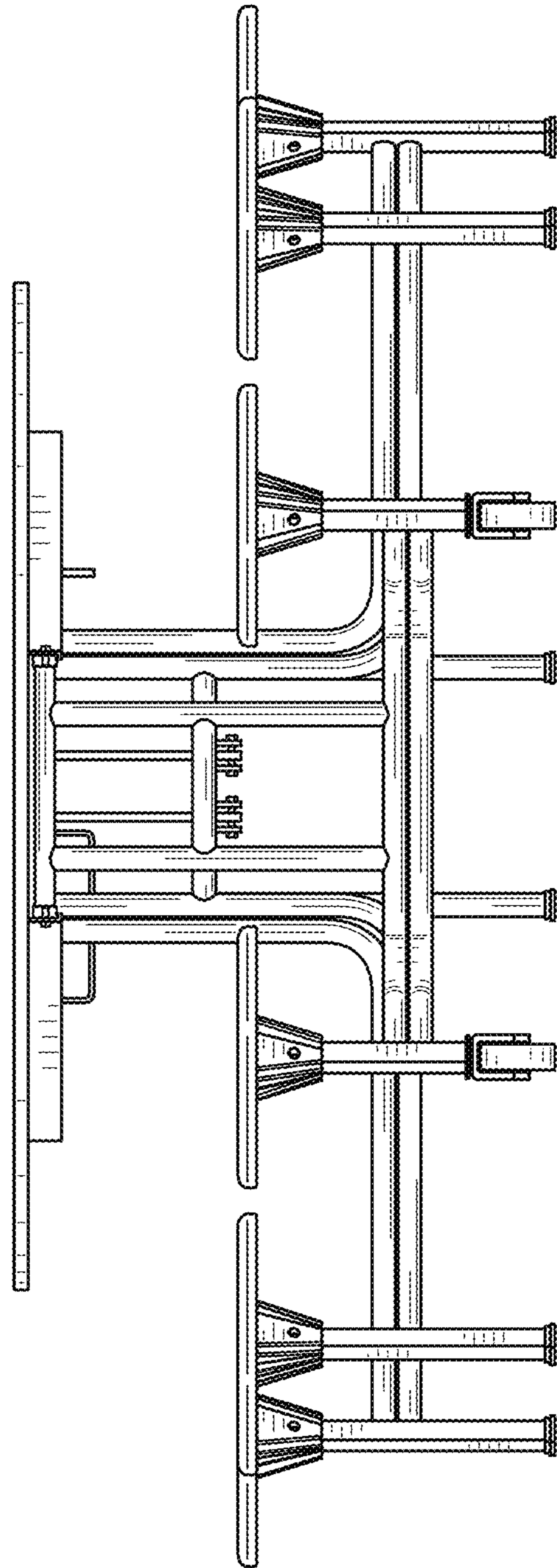


FIG. 4

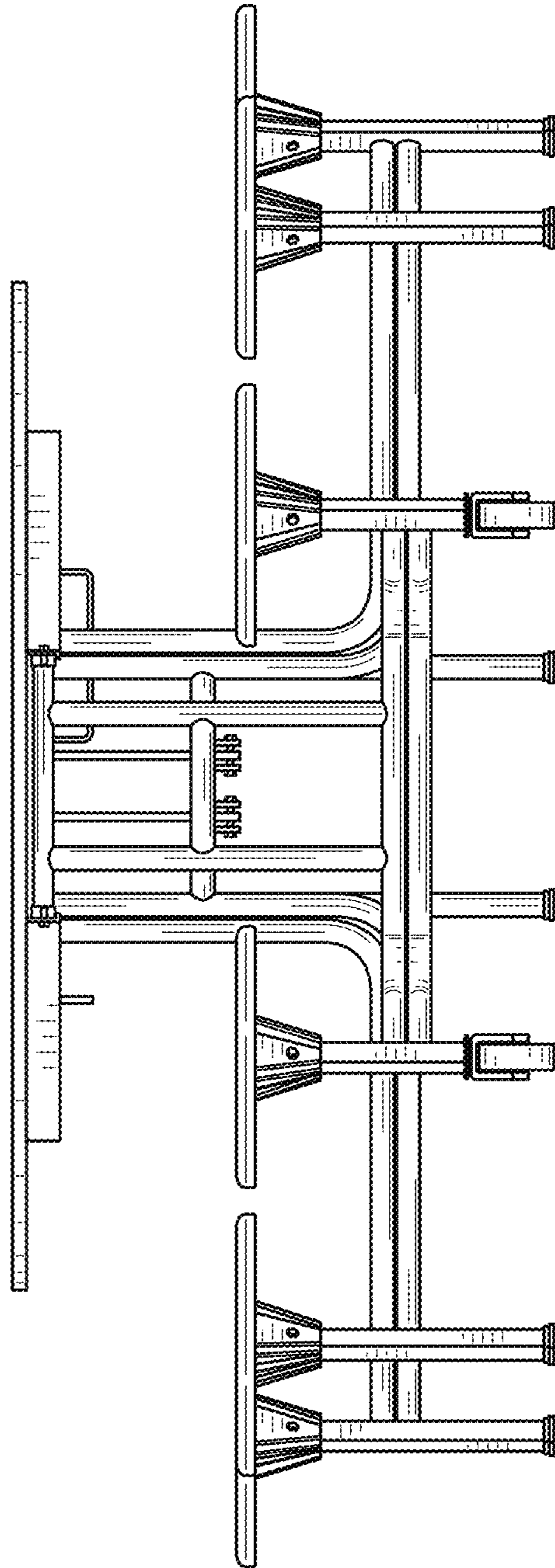


FIG. 5

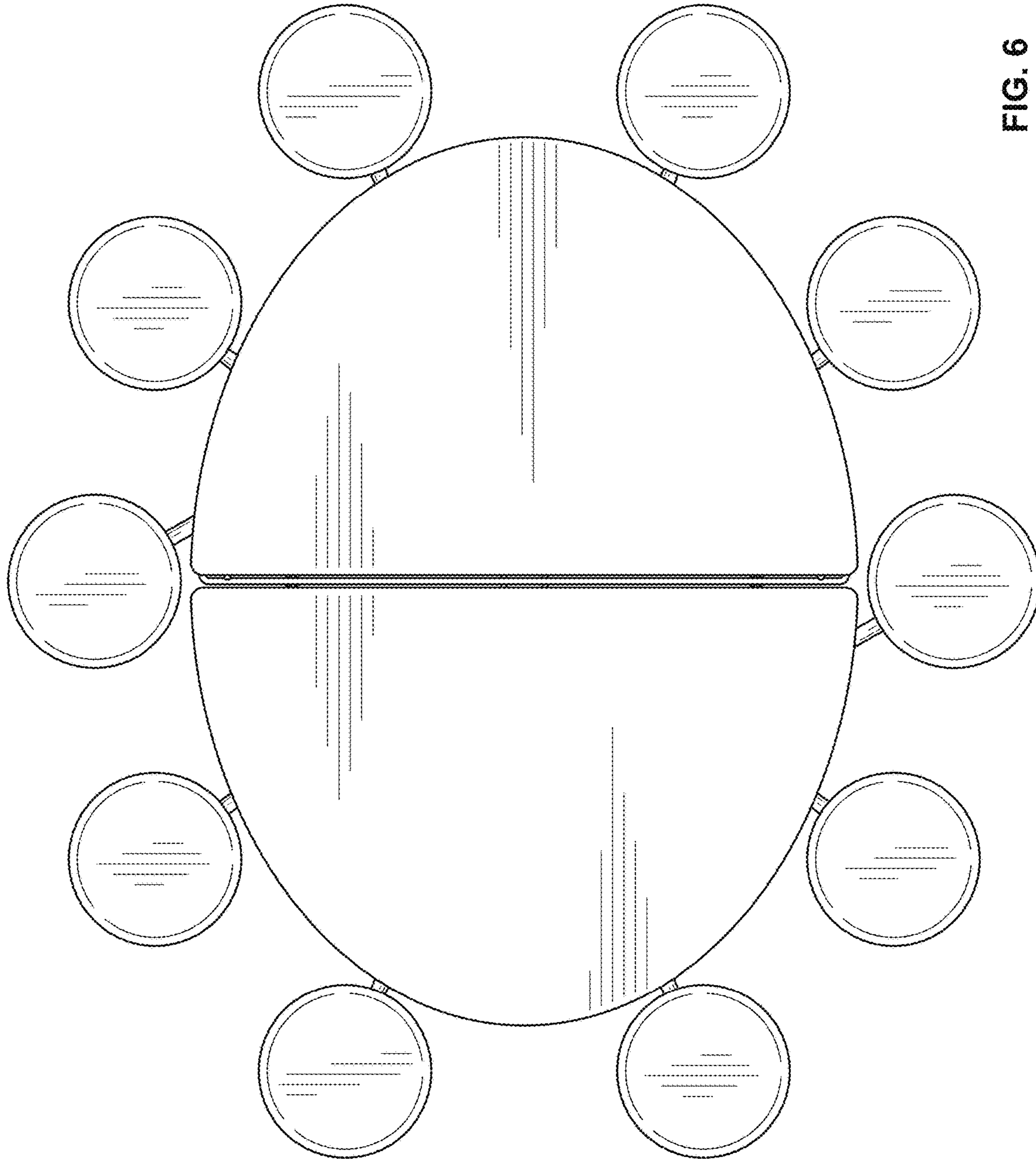


FIG. 6

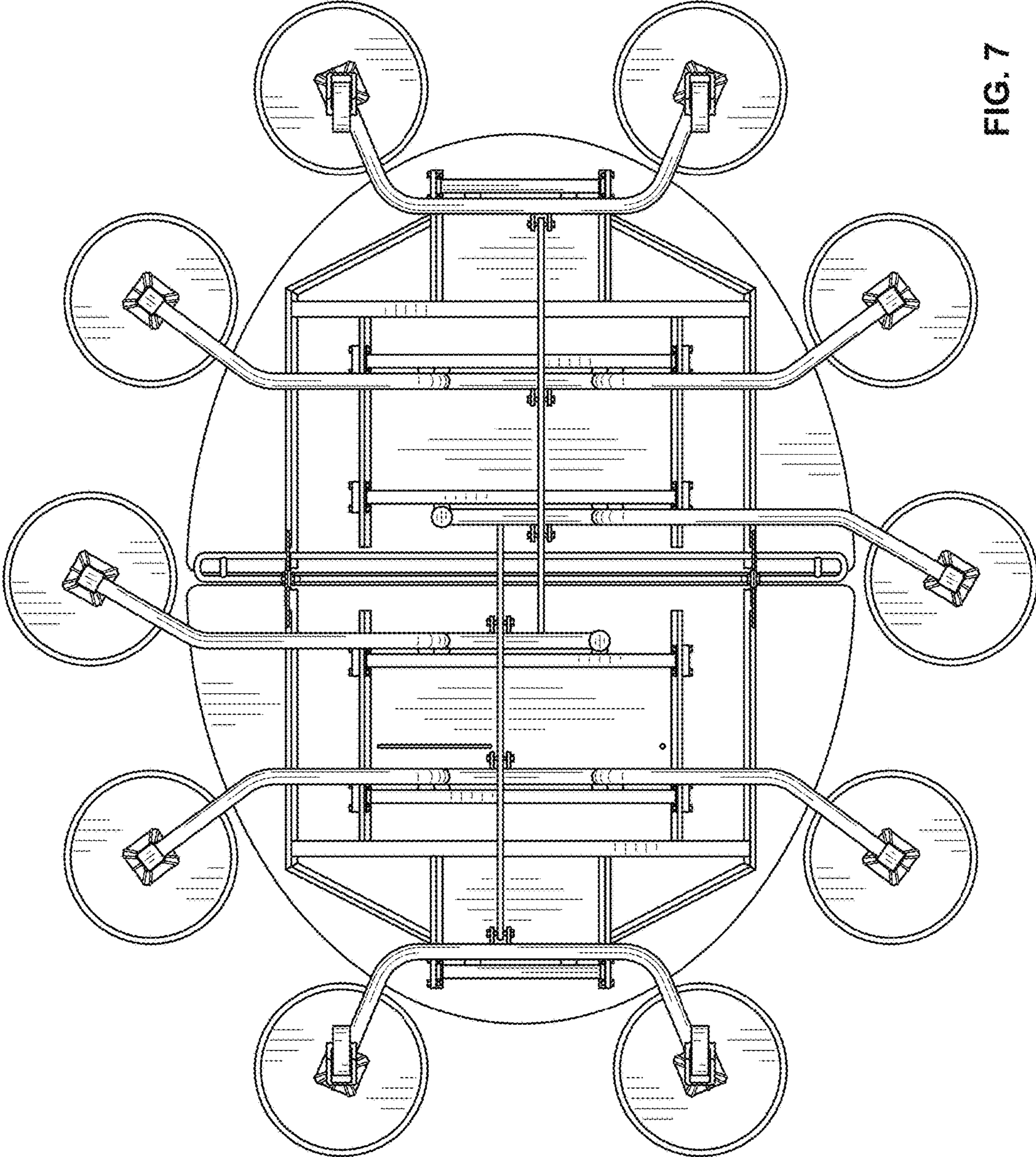


FIG. 7

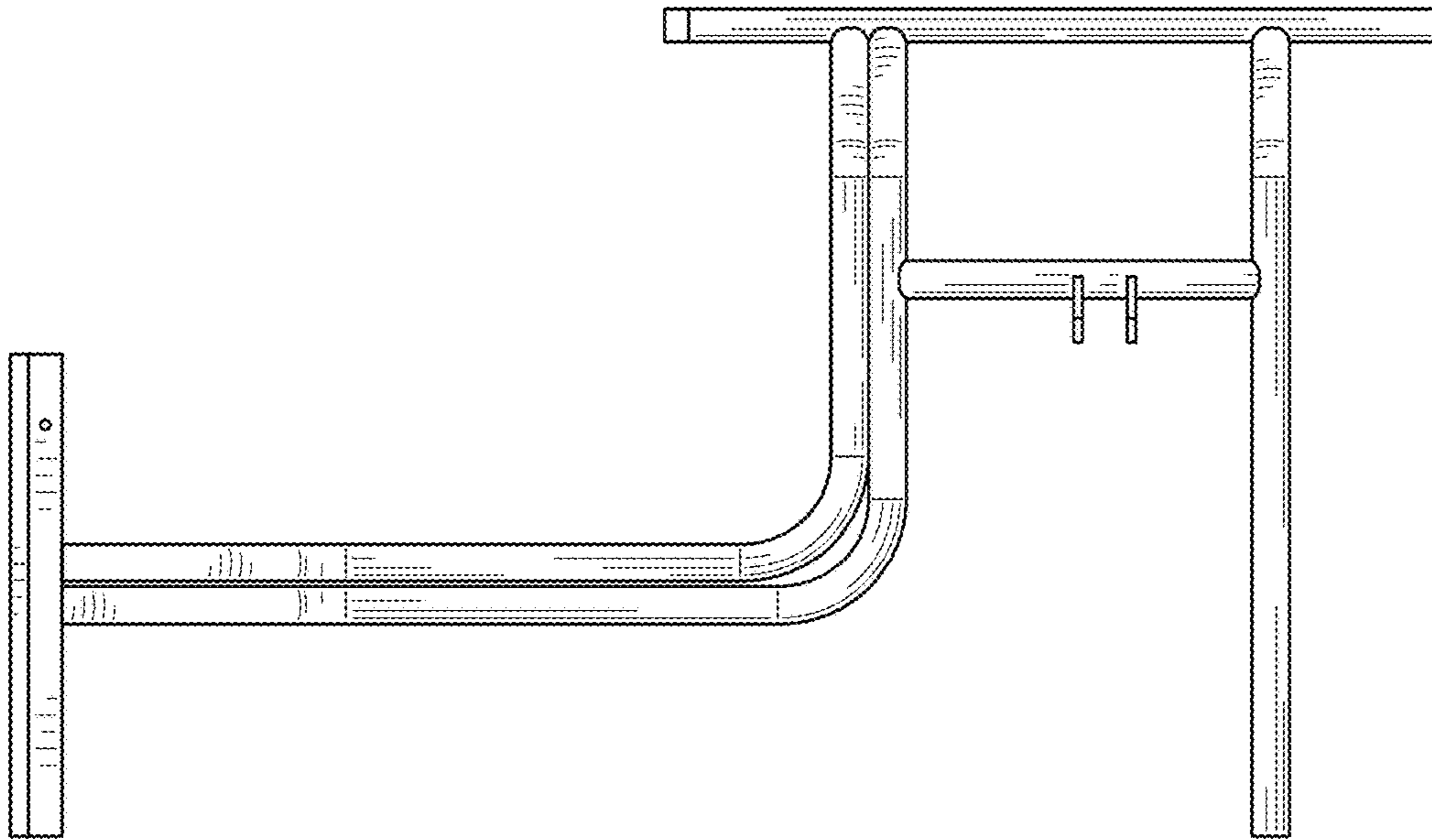


FIG. 8

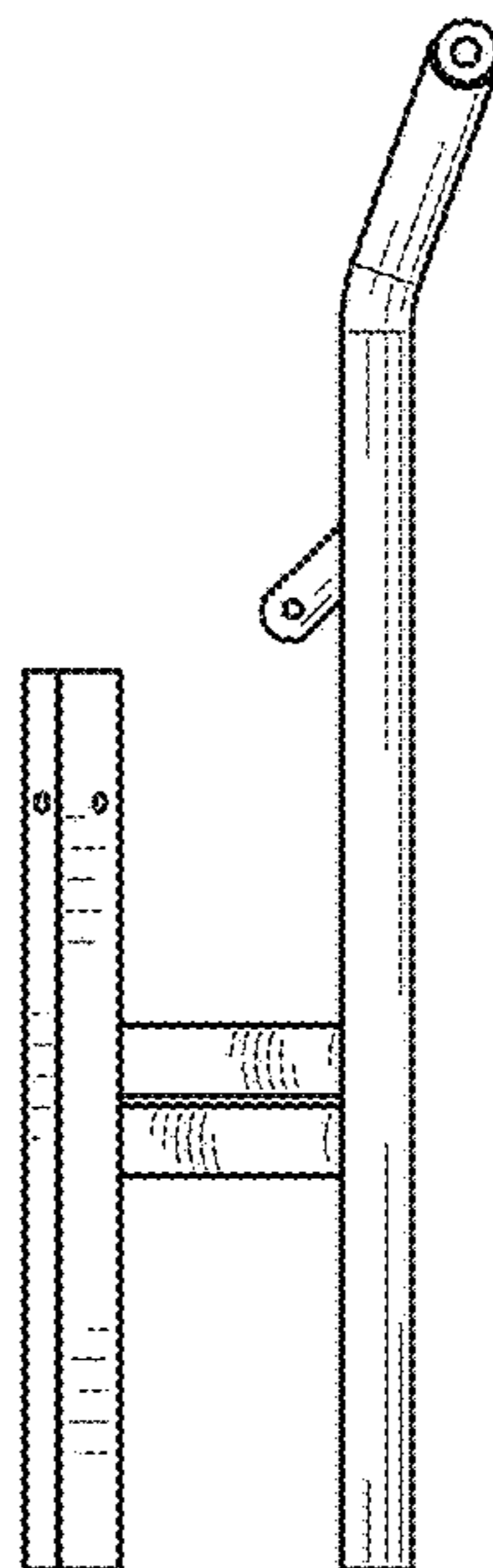


FIG. 9

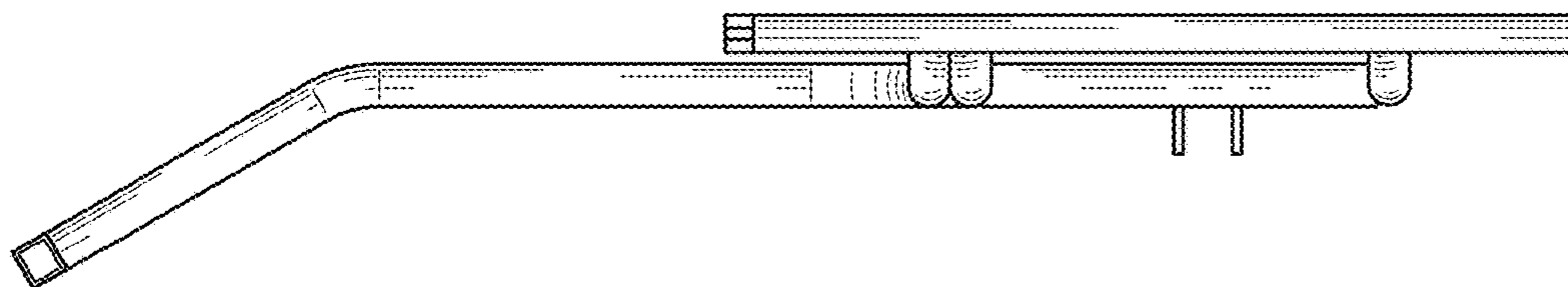


FIG. 10