



US00D802943S

(12) **United States Design Patent**
Nikolov et al.

(10) **Patent No.:** **US D802,943 S**

(45) **Date of Patent:** **** Nov. 21, 2017**

- (54) **MIRROR**
- (71) Applicant: **Synergy Products, Inc.**, Chicago, IL (US)
- (72) Inventors: **Simeon Nikolov**, Chicago, IL (US);
Evan Ward, Chicago, IL (US)
- (73) Assignee: **Synergy Products, Inc.**, Chicago, IL (US)
- (**) Term: **15 Years**
- (21) Appl. No.: **29/601,348**
- (22) Filed: **Apr. 21, 2017**

- 381,452 A * 4/1888 Wiederer B60R 1/081
359/854
- 751,290 A * 2/1904 Jaeger A45D 42/18
359/860
- 763,380 A * 6/1904 Eble et al. F16C 11/106
160/335
- 878,098 A * 2/1908 Sutton A47B 57/045
248/283.1
- D95,698 S * 5/1935 Milliken D6/309
- 2,489,506 A * 11/1949 Seutin A45D 42/18
359/854
- 2,763,186 A * 9/1956 Barlow A47G 1/04
160/220
- D196,092 S * 8/1963 Tager D6/309
- D225,285 S * 11/1972 Heckathorn D6/309
- 3,730,612 A * 5/1973 Arroyo A45D 42/16
248/476

(Continued)

Related U.S. Application Data

- (62) Division of application No. 29/564,303, filed on May 12, 2016.
- (51) **LOC (10) Cl.** **06-07**
- (52) **U.S. Cl.**
USPC **D6/300**
- (58) **Field of Classification Search**
USPC D6/300-314
CPC A45D 42/00; A45D 42/08; A45D 42/16;
A45D 42/18; A47G 1/04; A47G 1/24
See application file for complete search history.

References Cited

U.S. PATENT DOCUMENTS

- (56) 71,320 A * 11/1867 Neagles A45D 42/18
359/860
- 84,943 A * 12/1868 Furber A45D 42/18
359/860
- 115,898 A * 6/1871 Roberts A45D 42/18
359/860
- 207,579 A * 8/1878 Wilcox A45D 42/18
359/860

Primary Examiner — Deanna L Pratt

(74) *Attorney, Agent, or Firm* — Stephen T. Scherrer;
Monique A. Morneault; Scherrer Patent & Trademark
Law, P.C.

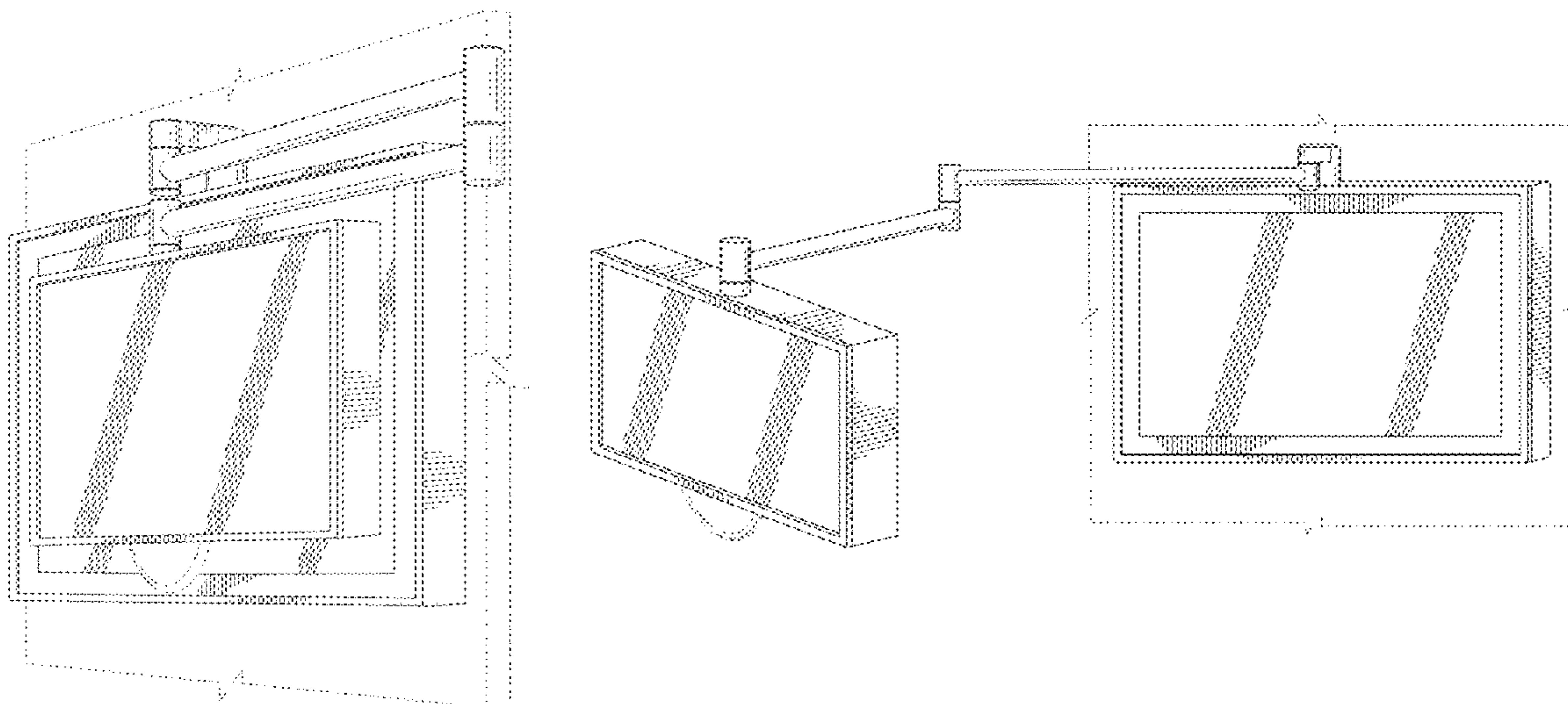
(57) **CLAIM**

The ornamental design for a mirror, as shown and described.

DESCRIPTION

FIG. 1 is a perspective view of a first embodiment of a mirror showing our new design in a closed position;
 FIG. 2 is a perspective view of the mirror in an open position;
 FIG. 3 is a front view of the mirror;
 FIG. 4 is a right side view of the mirror;
 FIG. 5 is a left side view of the mirror;
 FIG. 6 is a top plan view of the mirror; and,
 The portions of the mirror shown in broken lines illustrate portions of the mirror that form no part of the claimed design. The remaining broken lines illustrate the environment of the claimed design and form no part thereof.

1 Claim, 5 Drawing Sheets



(56)

References Cited

U.S. PATENT DOCUMENTS

D298,183	S	*	10/1988	Bruse	D6/300
4,775,231	A	*	10/1988	Granzow	A47G 1/04
						359/854
D307,678	S	*	5/1990	Lookerse	D6/312
D324,463	S	*	3/1992	Young	D6/300
D328,195	S	*	7/1992	Kotsuka	D6/324
D409,003	S	*	5/1999	Scavini	D6/300
6,565,220	B1	*	5/2003	Hayward	G02B 7/1824
						248/477
D555,657	S	*	11/2007	Loyd	D14/452
D556,205	S	*	11/2007	Wohlford	D14/452
7,300,169	B1	*	11/2007	Yue	A45D 42/18
						359/854
D670,087	S	*	11/2012	Walker	D6/309
D688,674	S	*	8/2013	Lau	D14/452
D737,580	S	*	9/2015	Tsai	D6/300
D751,829	S	*	3/2016	Yang	D6/309
2016/0051034	A1	*	2/2016	Nikolov	A47G 1/04
						359/860

* cited by examiner

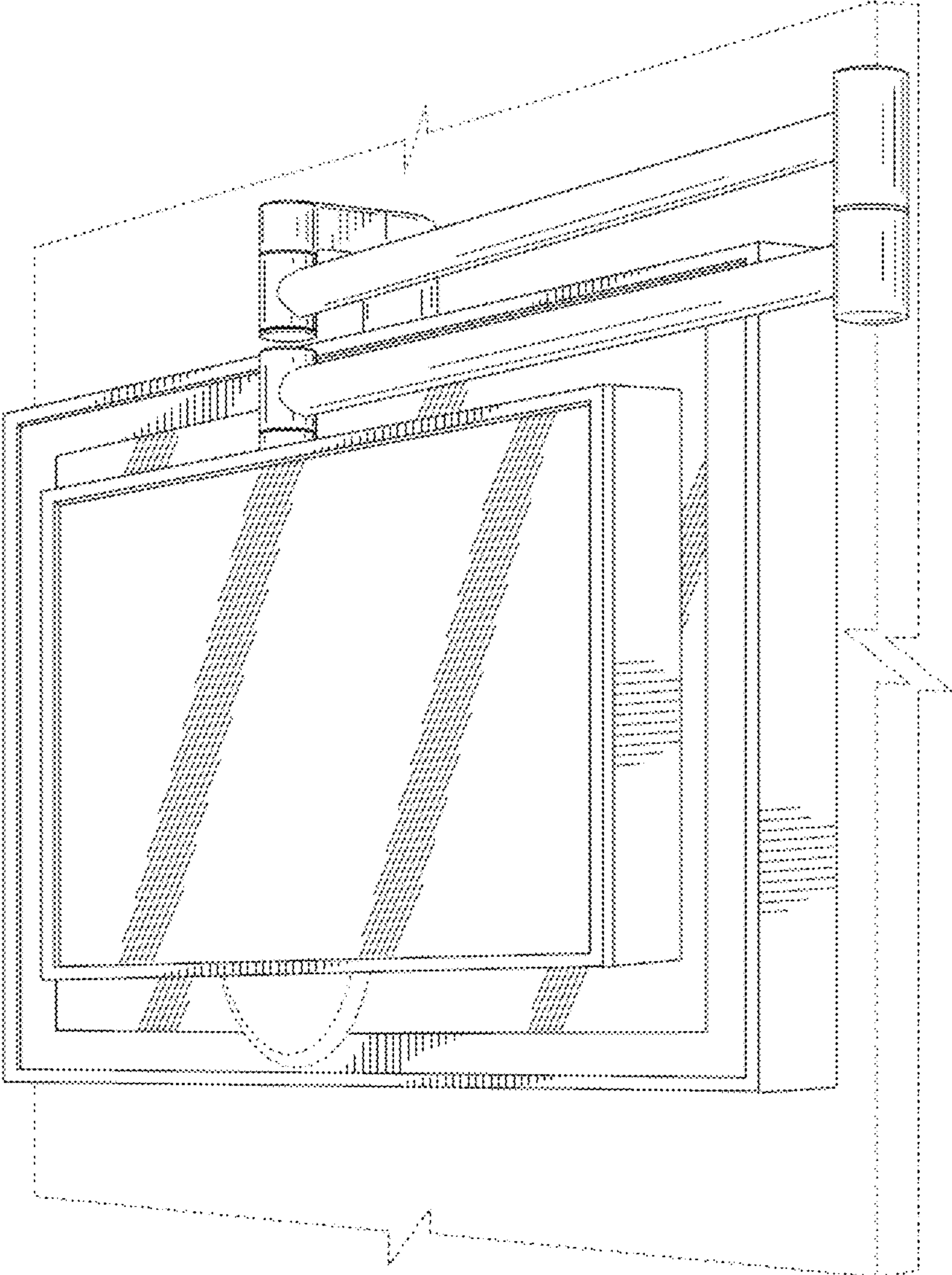


FIG. 1

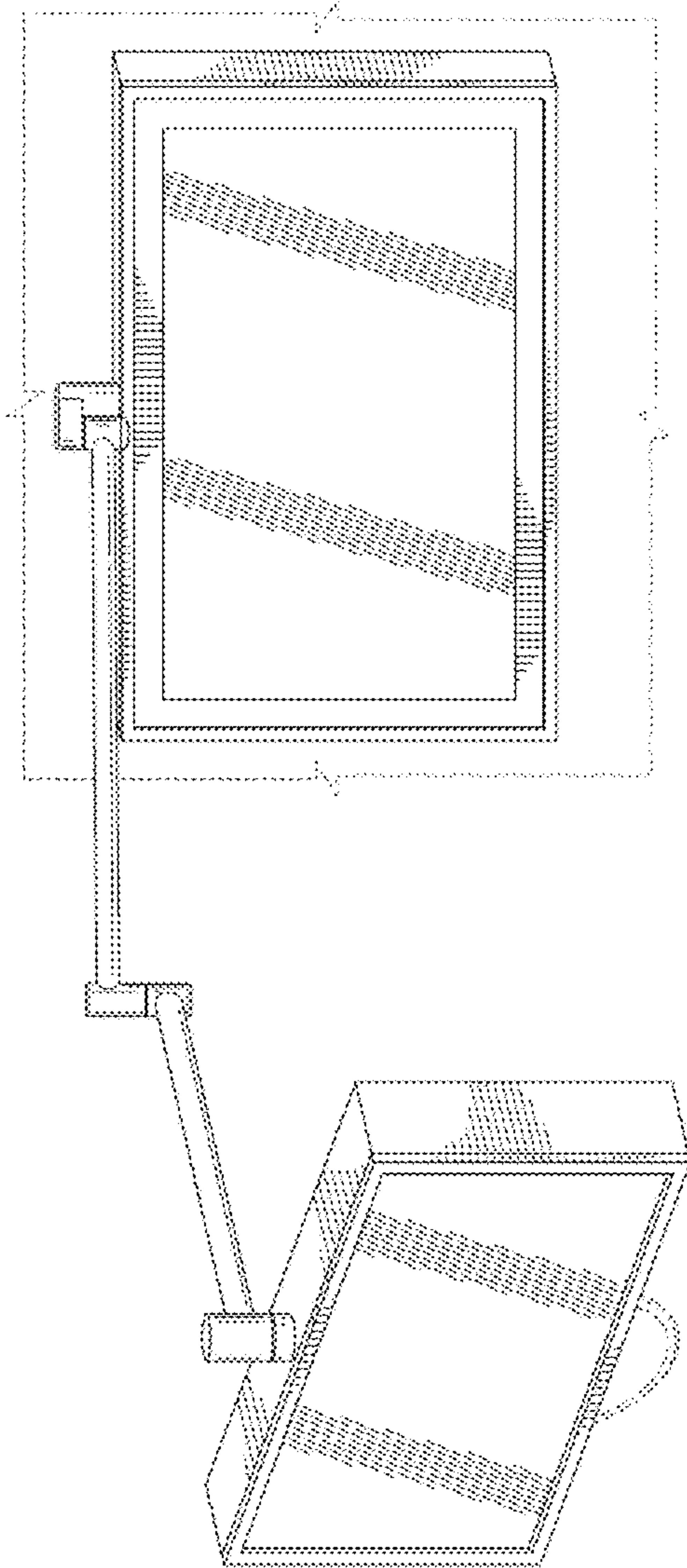


FIG 2

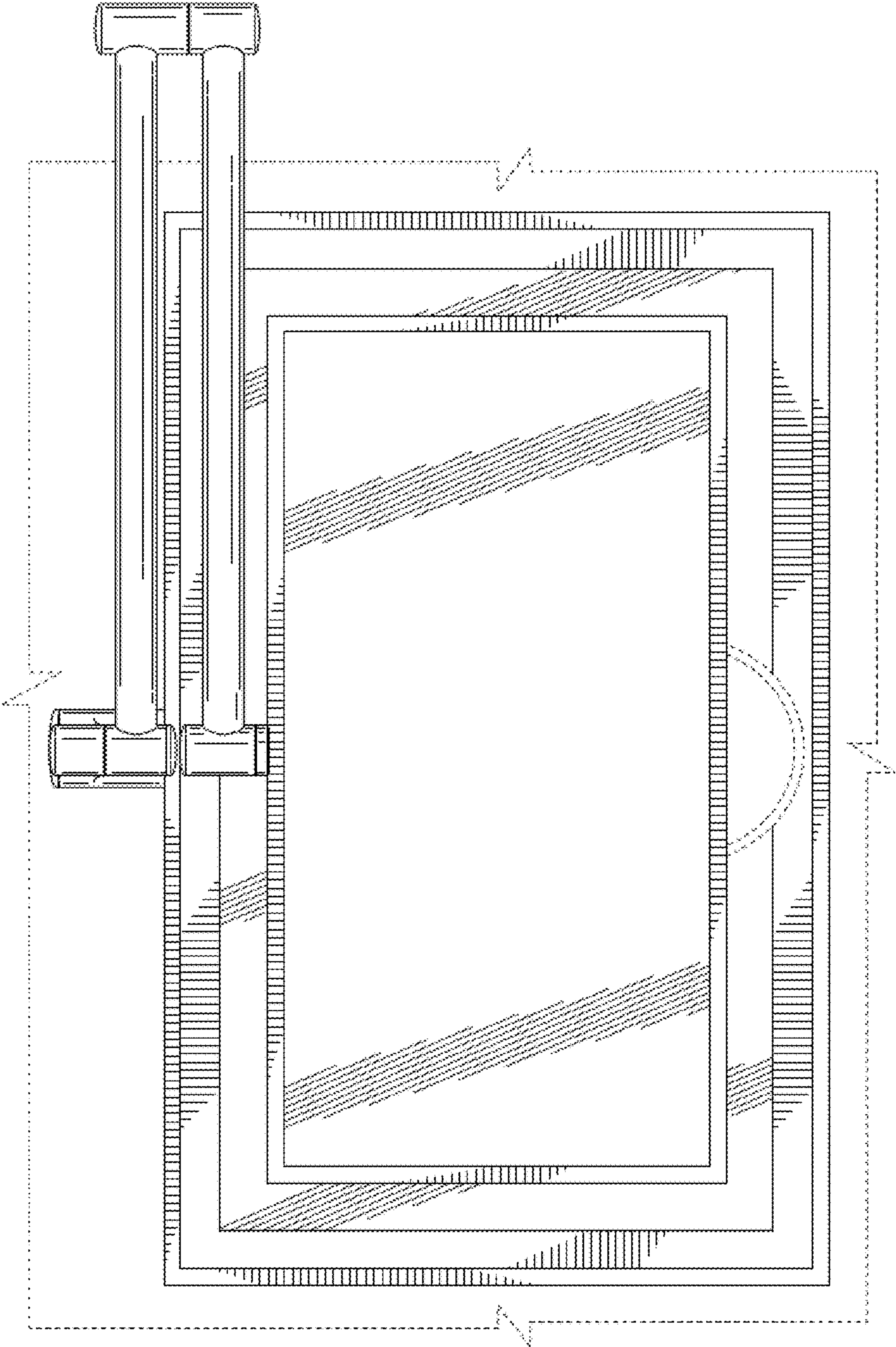


FIG. 3

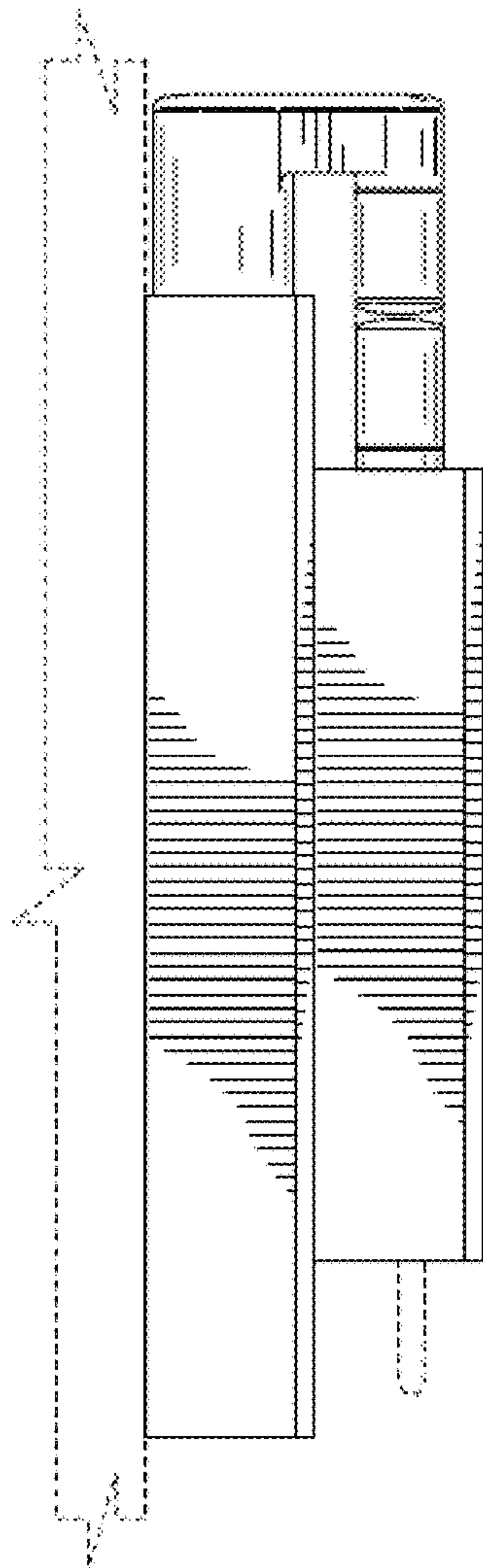


FIG. 4

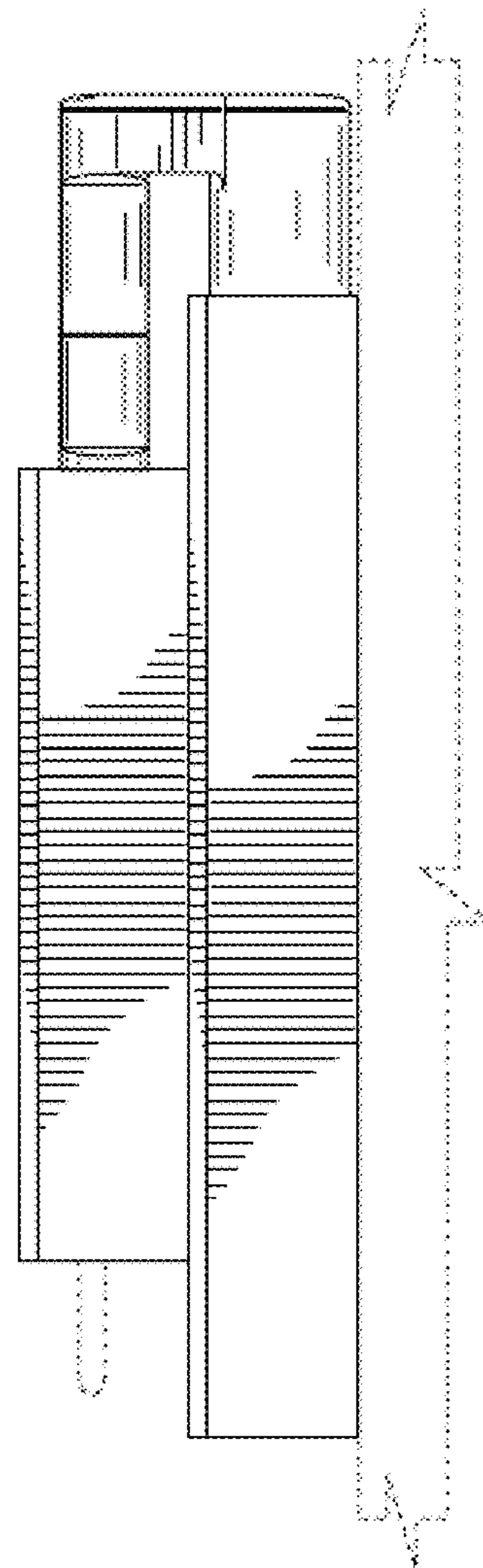


FIG. 5

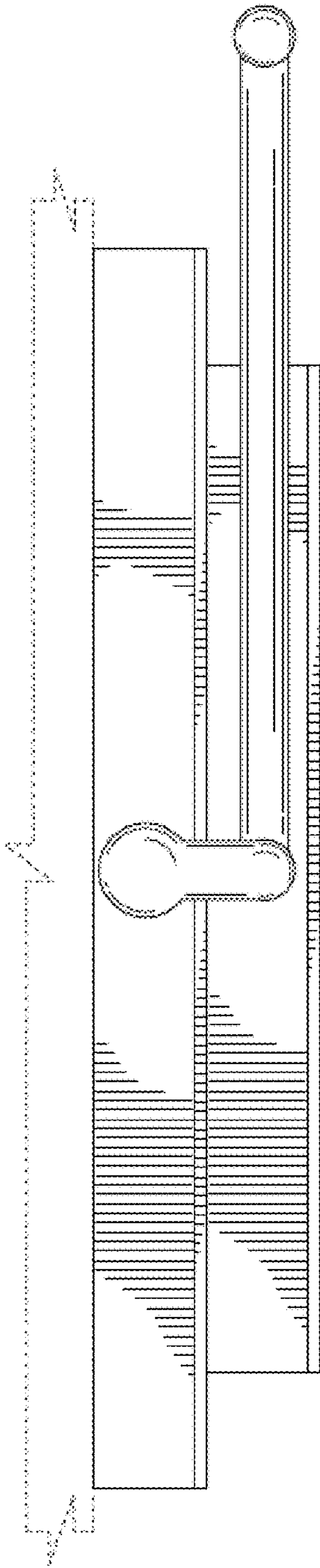


FIG. 6

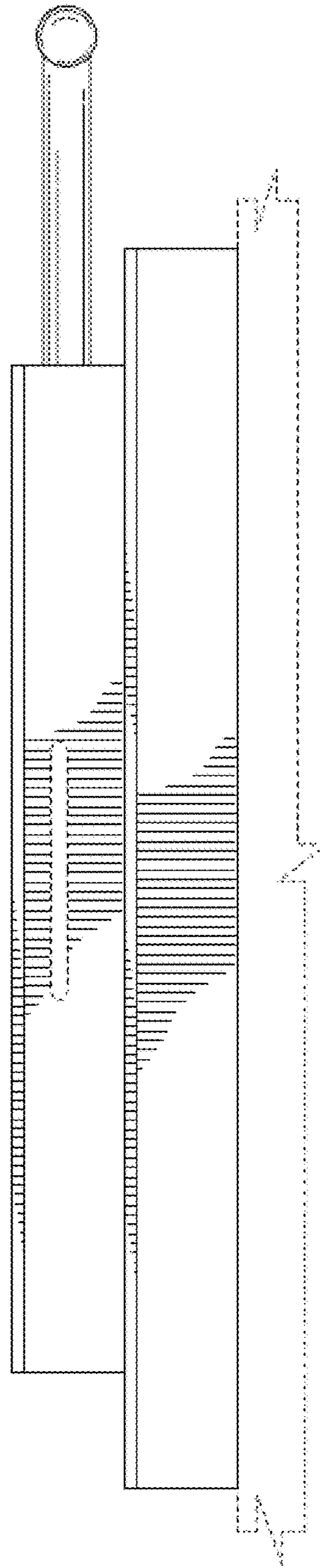


FIG. 7