



US00D802942S

(12) **United States Design Patent**
Nikolov et al.

(10) **Patent No.:** **US D802,942 S**

(45) **Date of Patent:** **** Nov. 21, 2017**

(54) **MIRROR**

(71) Applicant: **Synergy Products, Inc.**, Chicago, IL (US)

(72) Inventors: **Simeon Nikolov**, Chicago, IL (US);
Evan Ward, Chicago, IL (US)

(73) Assignee: **Synergy Products, Inc.**, Chicago, IL (US)

(**) Term: **15 Years**

(21) Appl. No.: **29/601,346**

(22) Filed: **Apr. 21, 2017**

381,452 A * 4/1888 Wiederer B60R 1/081
359/854
751,290 A * 2/1904 Jaeger A45D 42/18
359/860
763,380 A * 6/1904 Eble et al. F16C 11/106
160/335

(Continued)

Primary Examiner — Deanna L Pratt

(74) *Attorney, Agent, or Firm* — Stephen T. Scherrer;
Monique A. Morneault; Scherrer Patent & Trademark
Law, P.C.

(57) **CLAIM**

The ornamental design for a mirror, as shown and described.

DESCRIPTION

FIG. 1 is a perspective view of a first embodiment of a mirror showing our new design in a closed position; FIG. 2 is a perspective view of the mirror in an open position; FIG. 3 is a front view of the mirror; FIG. 4 is a right side view of the mirror; FIG. 5 is a left side view of the mirror; FIG. 6 is a top plan view of the mirror; and, FIG. 7 is a bottom plan view of the mirror. FIG. 8 is a perspective view of a second embodiment of a mirror showing our new design in a closed position; FIG. 9 is a perspective view of the mirror in an open position; FIG. 10 is a front view of the mirror; FIG. 11 is a right side view of the mirror; FIG. 12 is a left side view of the mirror; FIG. 13 is a top plan view of the mirror; and, FIG. 14 is a bottom plan view of the mirror.

The portions of the mirror shown in broken lines illustrate portions of the mirror that form no part of the claimed design. The remaining broken lines illustrate the environment of the claimed design and form no part thereof.

1 Claim, 10 Drawing Sheets

Related U.S. Application Data

(62) Division of application No. 29/564,303, filed on May 12, 2016.

(51) **LOC (10) Cl.** **06-07**

(52) **U.S. Cl.**
USPC **D6/300**

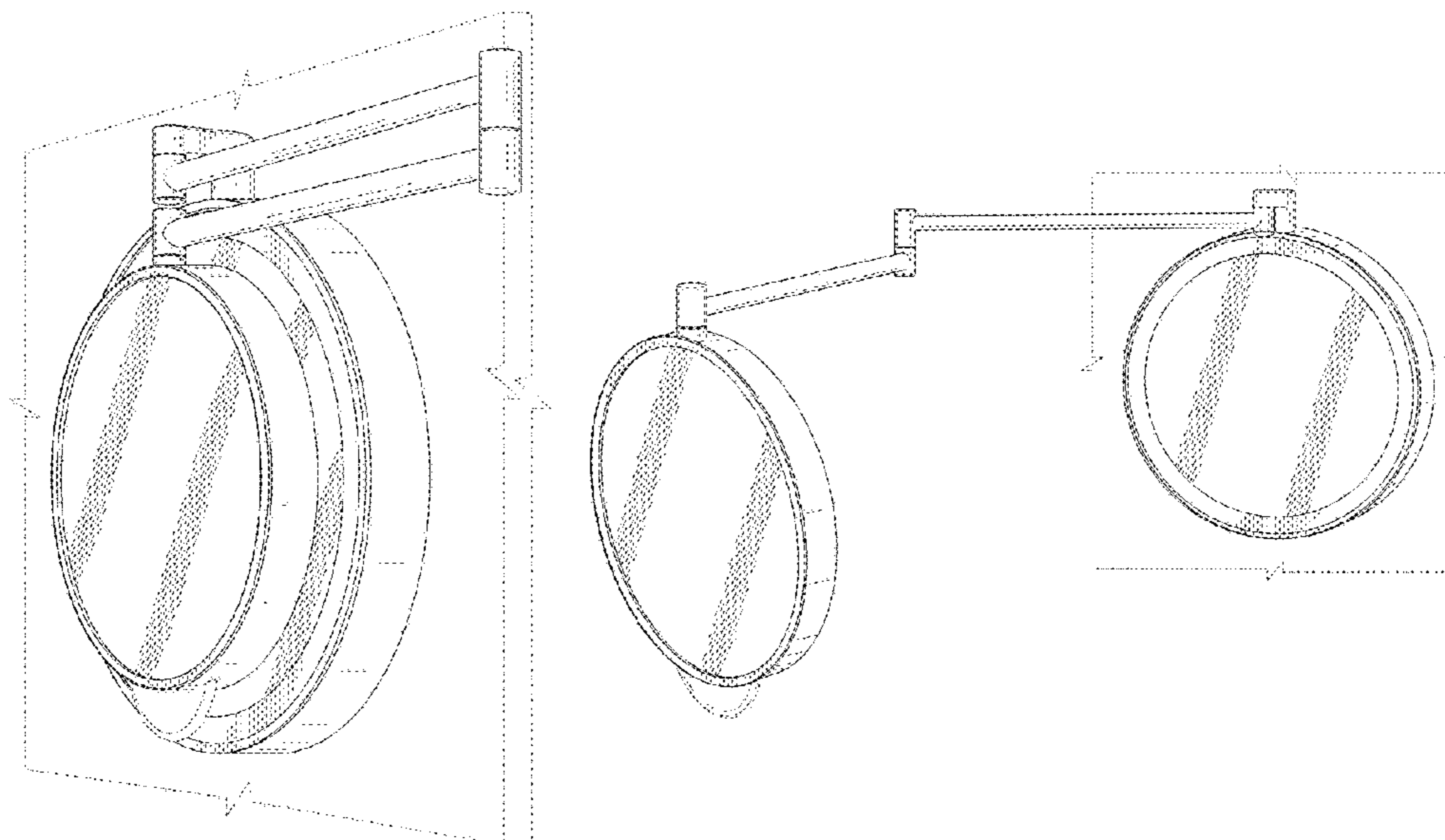
(58) **Field of Classification Search**

USPC D6/300–314
CPC A45D 42/00; A45D 42/08; A45D 42/16;
A45D 42/18; A47G 1/04; A47G 1/24
See application file for complete search history.

(56) **References Cited**

U.S. PATENT DOCUMENTS

71,320 A * 11/1867 Neagle A45D 42/18
359/860
84,943 A * 12/1868 Furber A45D 42/18
359/860
115,898 A * 6/1871 Roberts A45D 42/18
359/860
207,579 A * 8/1878 Wilcox A45D 42/18
359/860



(56)

References Cited

U.S. PATENT DOCUMENTS

878,098	A *	2/1908	Sutton	A47B 57/045 248/283.1
D95,698	S *	5/1935	Milliken	D6/309
2,489,506	A *	11/1949	Seutin	A45D 42/18 359/854
2,763,186	A *	9/1956	Barlow	A47G 1/04 160/220
D196,092	S *	8/1963	Tager	D6/309
D225,285	S *	11/1972	Heckathorn	D6/309
3,730,612	A *	5/1973	Arroyo	A45D 42/16 248/476
D298,183	S *	10/1988	Bruse	D6/300
4,775,231	A *	10/1988	Granzow	A47G 1/04 359/854
D307,678	S *	5/1990	Lookerse	D6/312
D324,463	S *	3/1992	Young	D6/300
D328,195	S *	7/1992	Kotsuka	D6/324
D409,003	S *	5/1999	Scavini	D6/300
6,565,220	B1 *	5/2003	Hayward	G02B 7/1824 248/477
D555,657	S *	11/2007	Loyd	D14/452
D556,205	S *	11/2007	Wohlford	D14/452
7,300,169	B1 *	11/2007	Yue	A45D 42/18 359/854
D670,087	S *	11/2012	Walker	D6/309
D688,674	S *	8/2013	Lau	D14/452
D737,580	S *	9/2015	Tsai	D6/300
D751,829	S *	3/2016	Yang	D6/309
2016/0051034	A1 *	2/2016	Nikolov	A47G 1/04 359/860

* cited by examiner

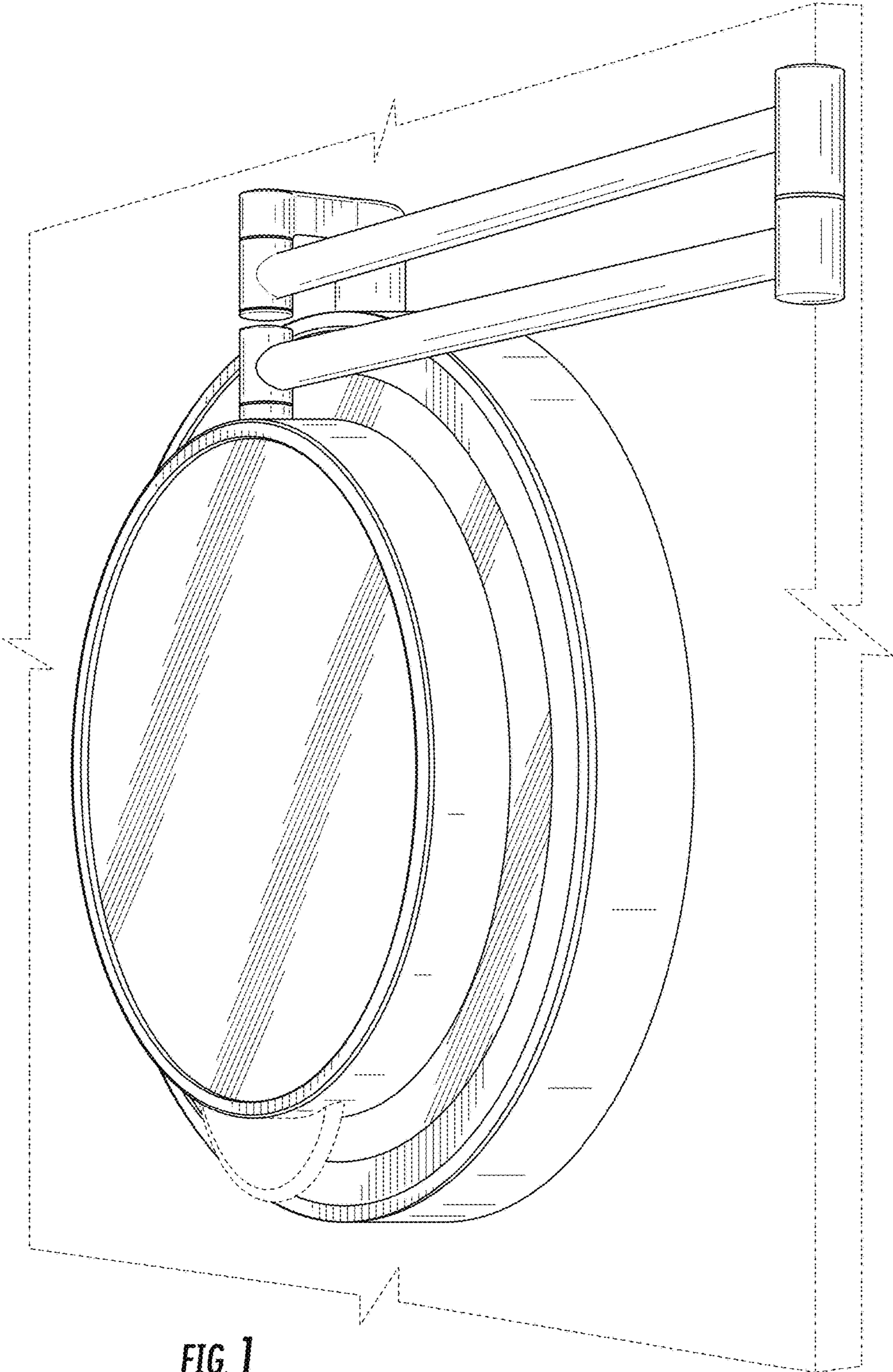


FIG. 1

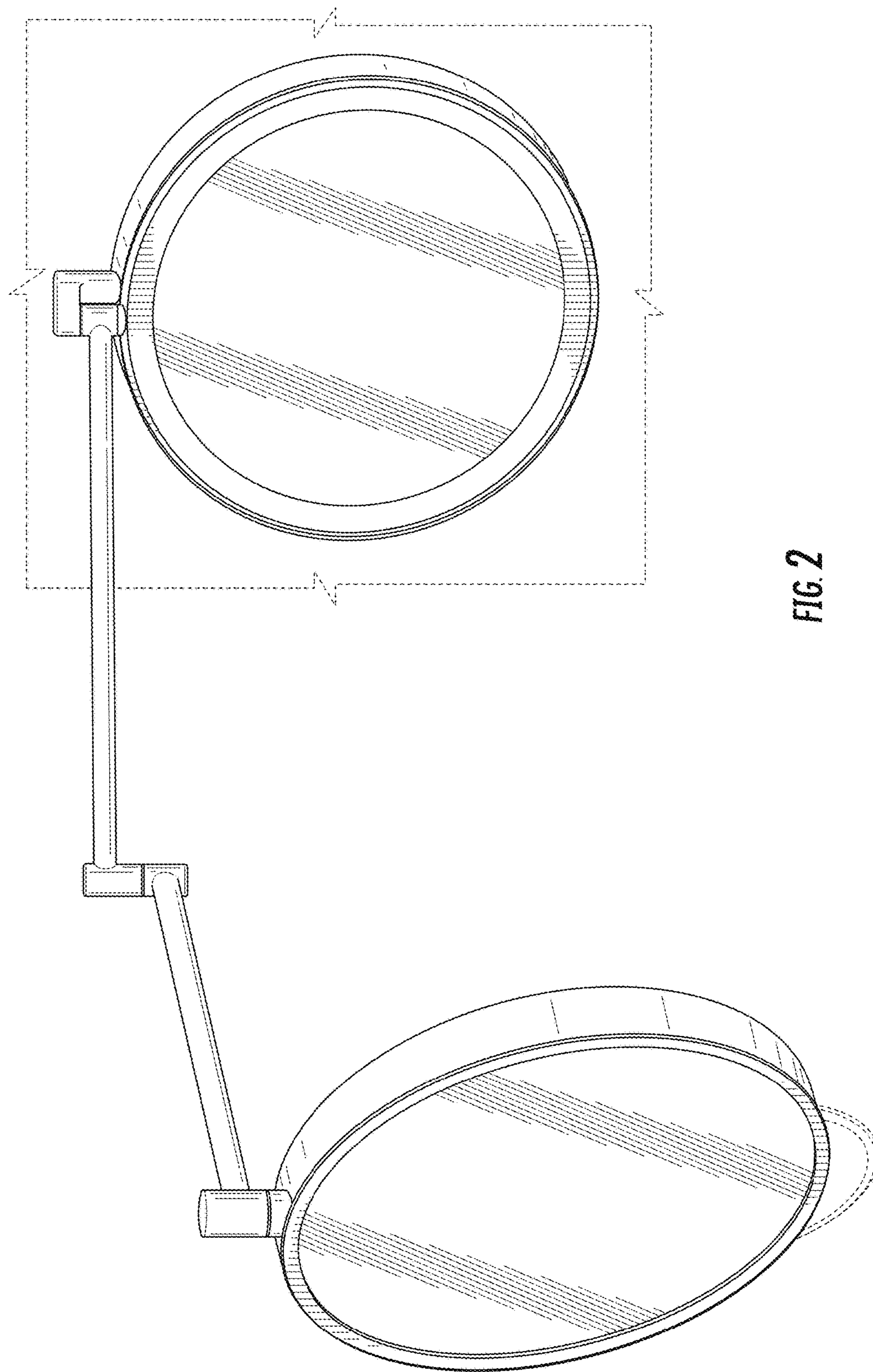


FIG. 2

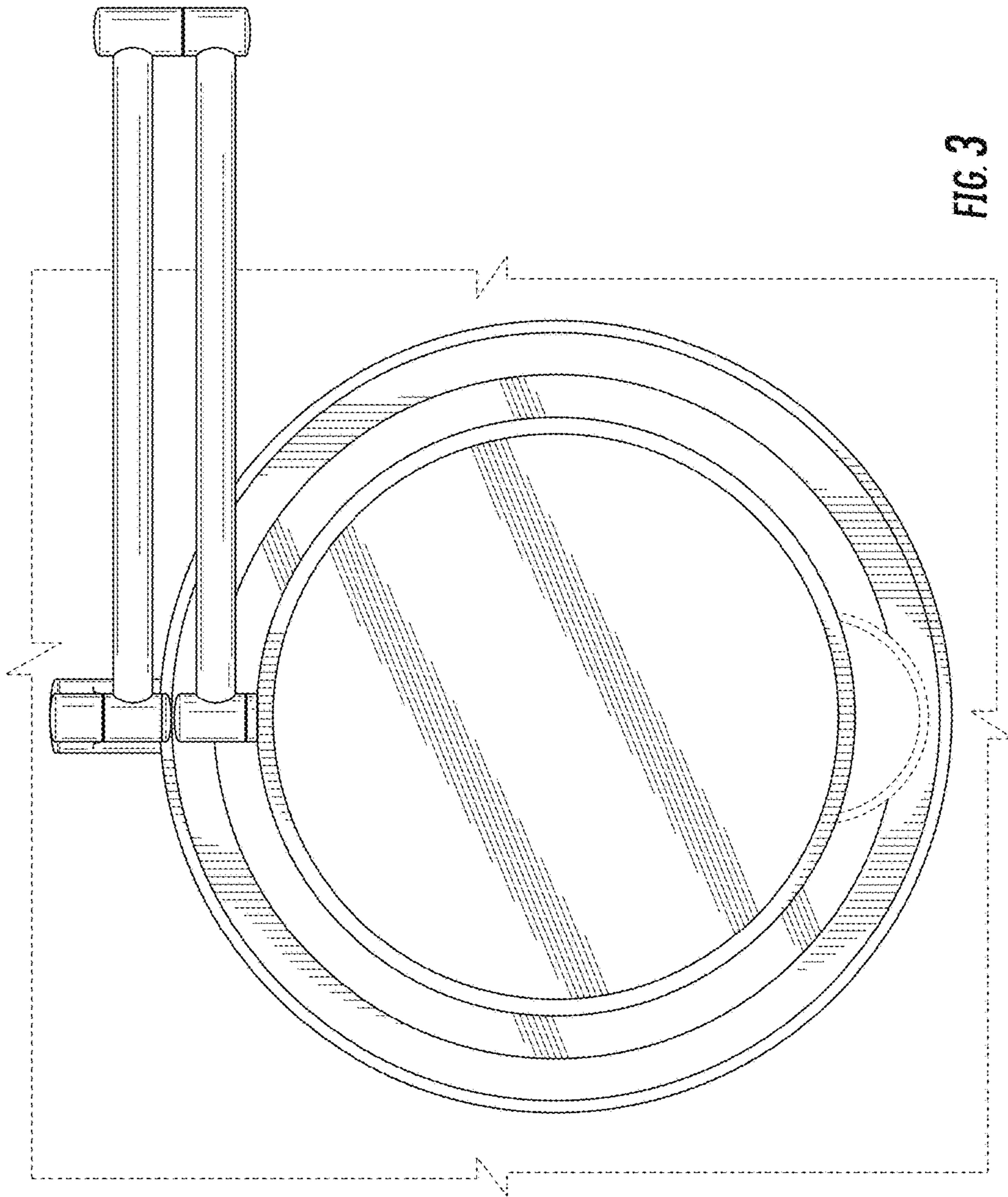


FIG. 3

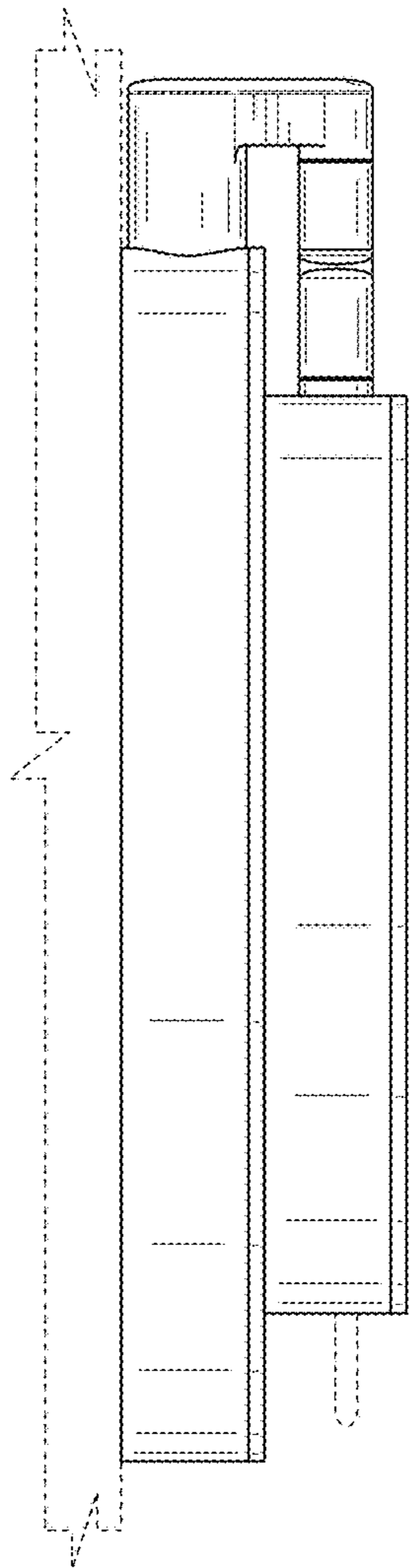


FIG. 4

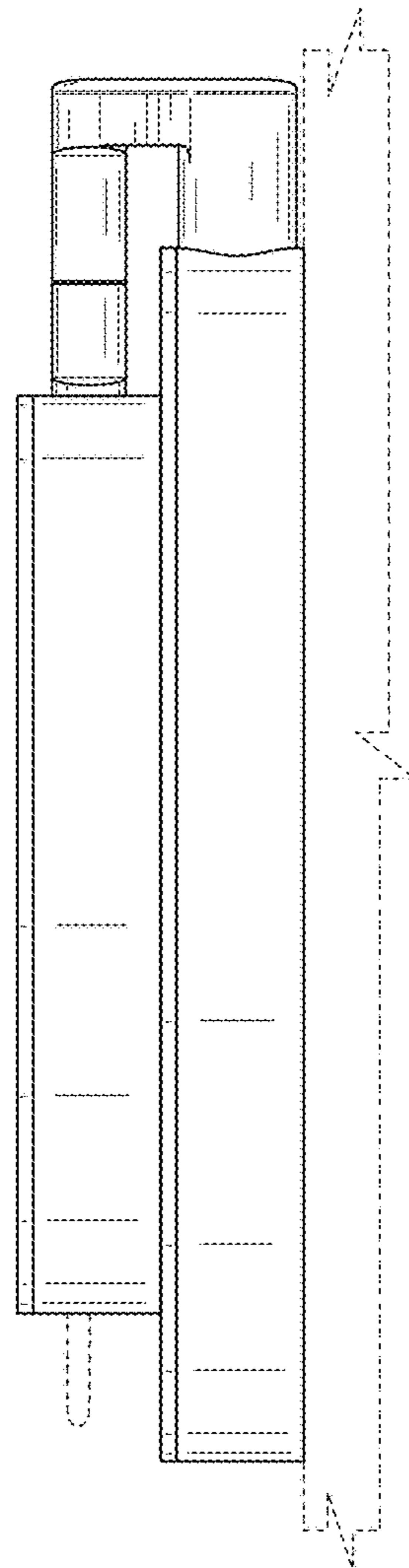


FIG. 5

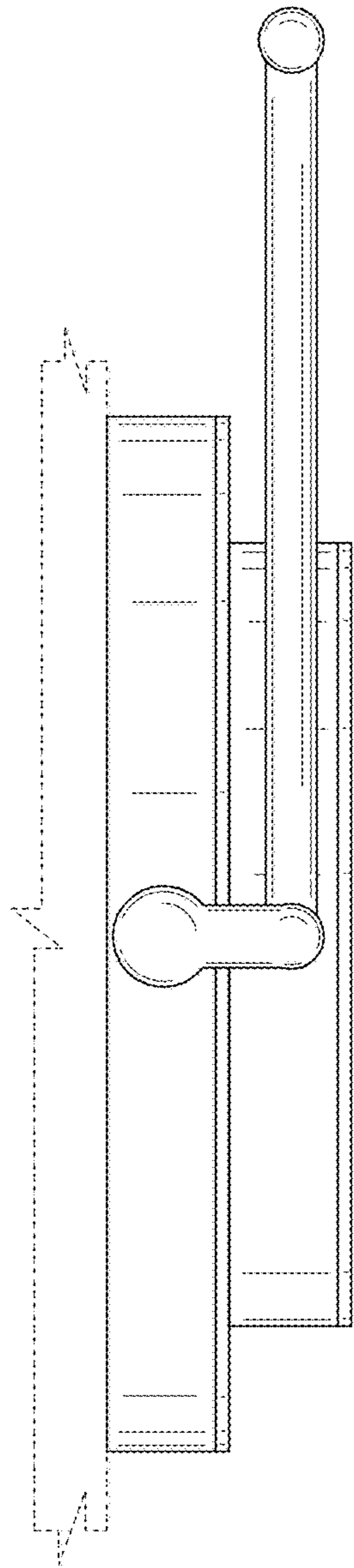


FIG. 6

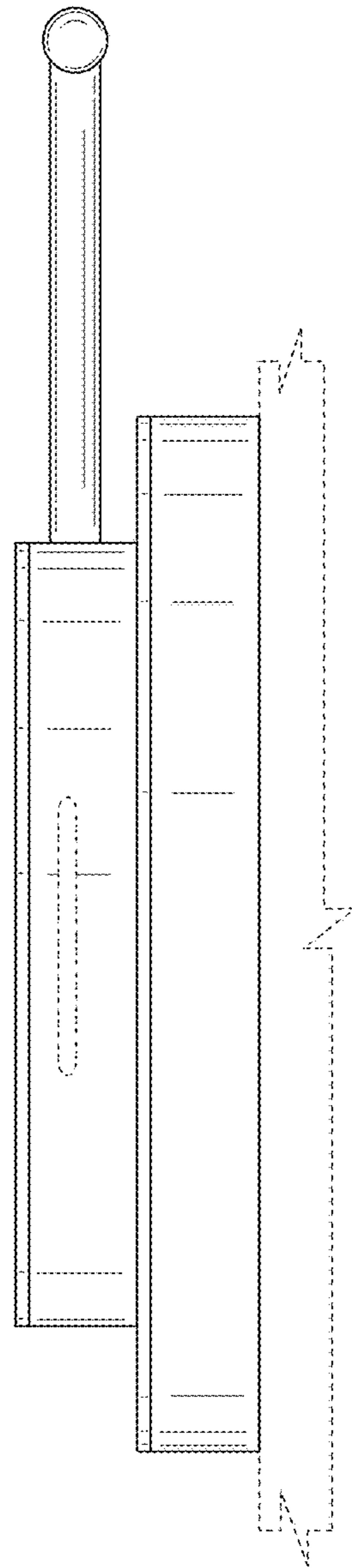


FIG. 7

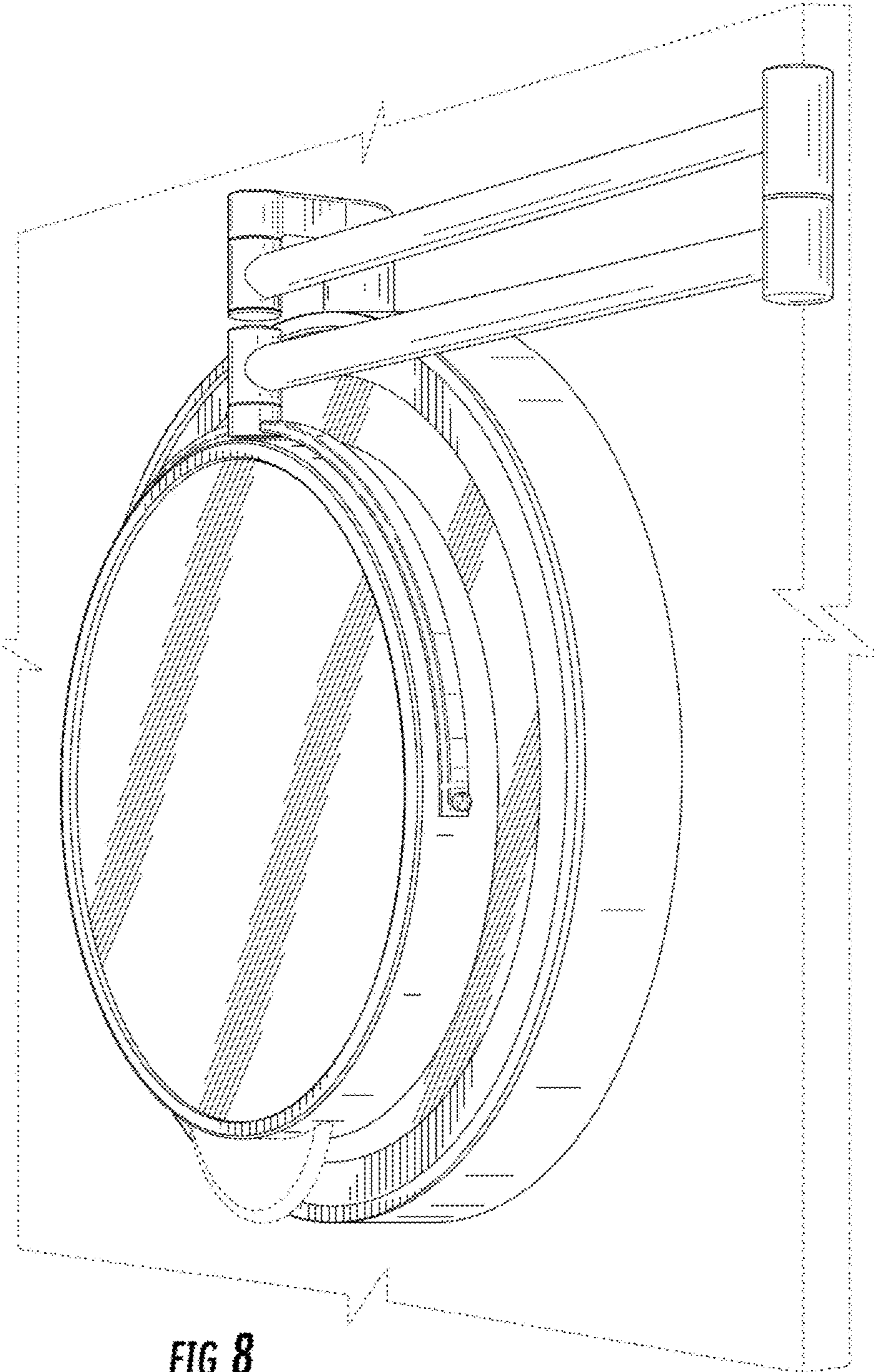


FIG. 8

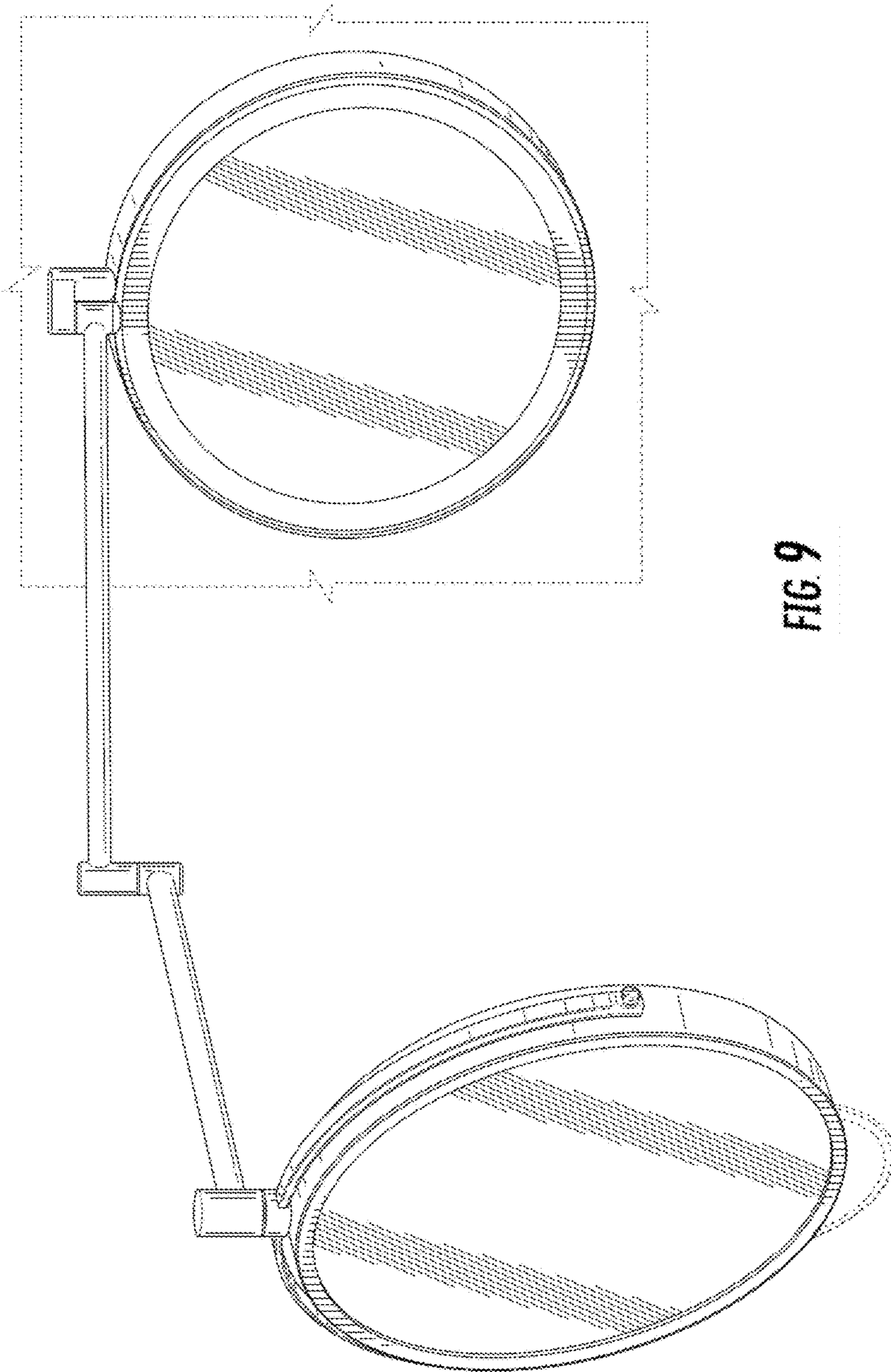


FIG. 9

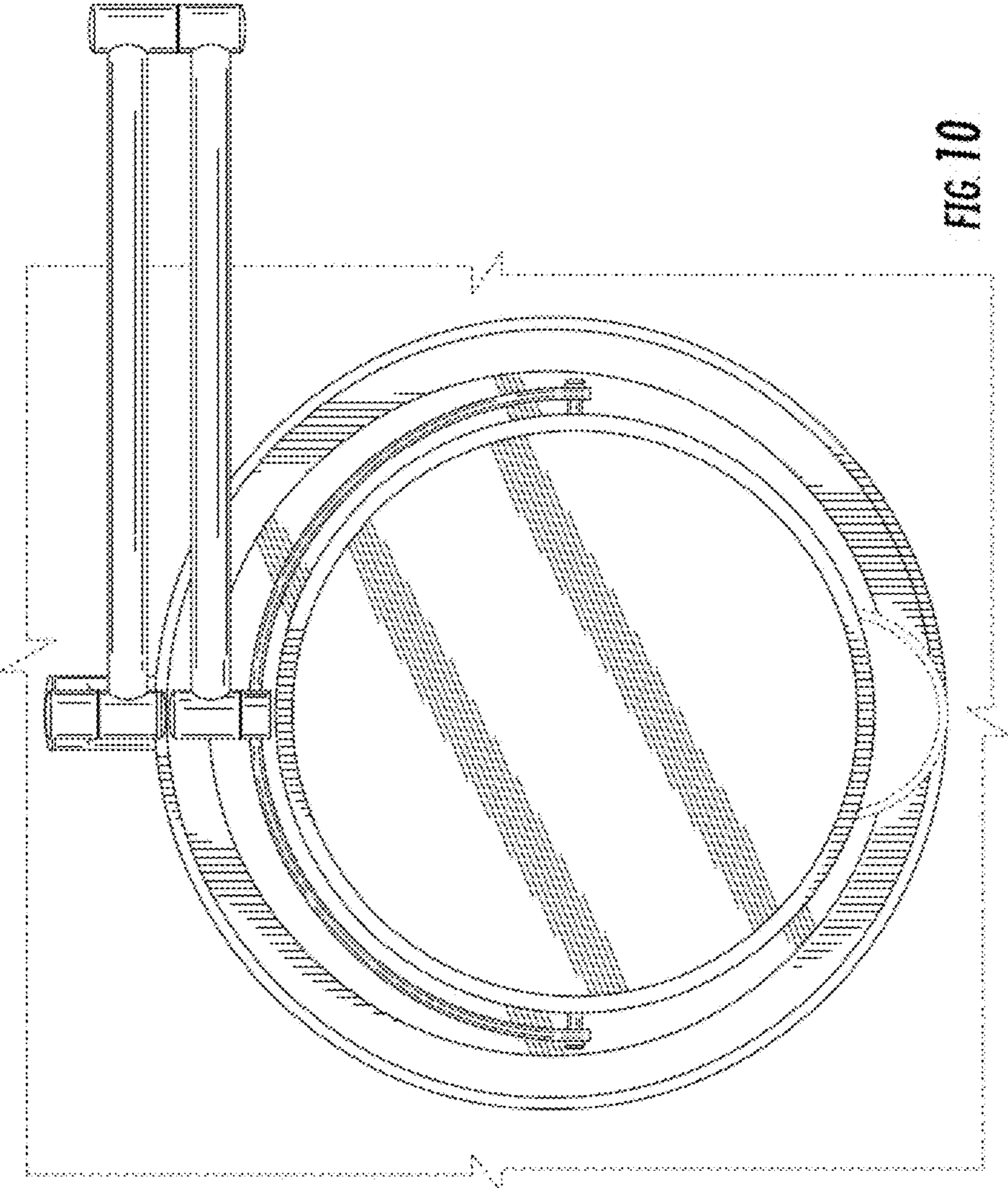


FIG. 10

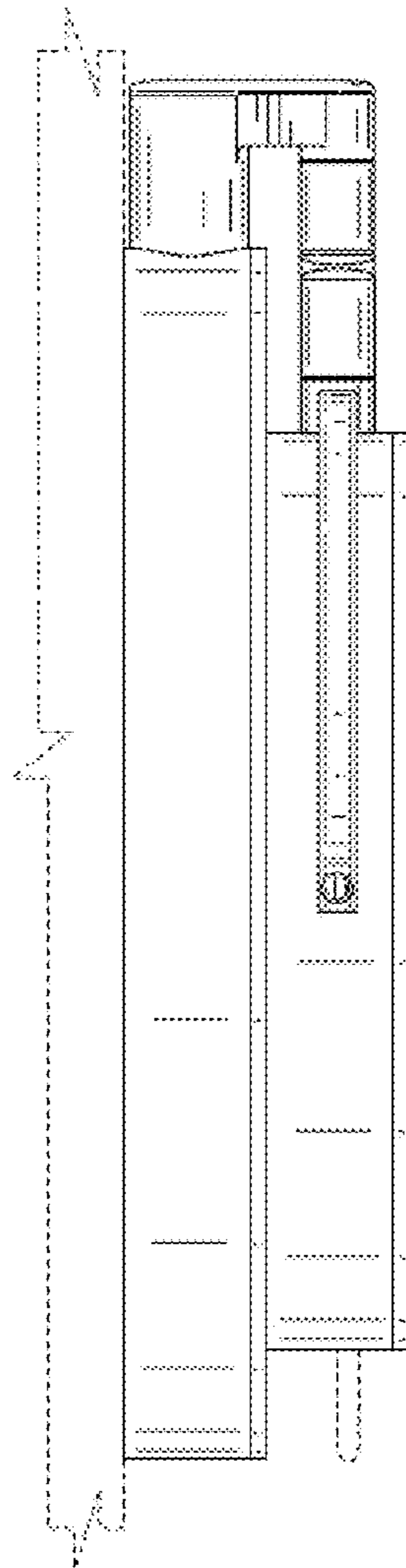


FIG. 11

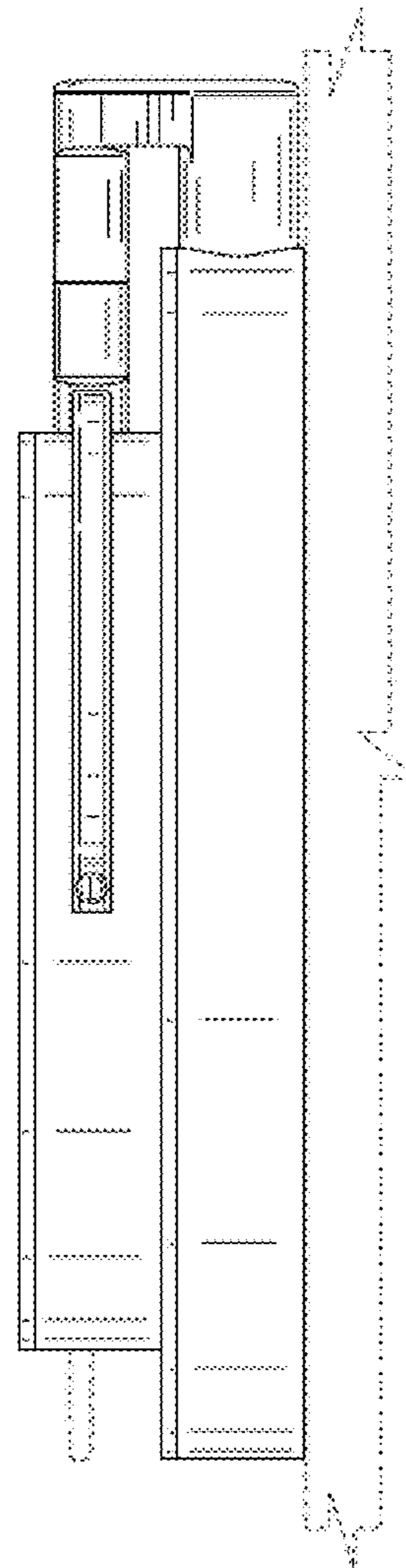


FIG. 12

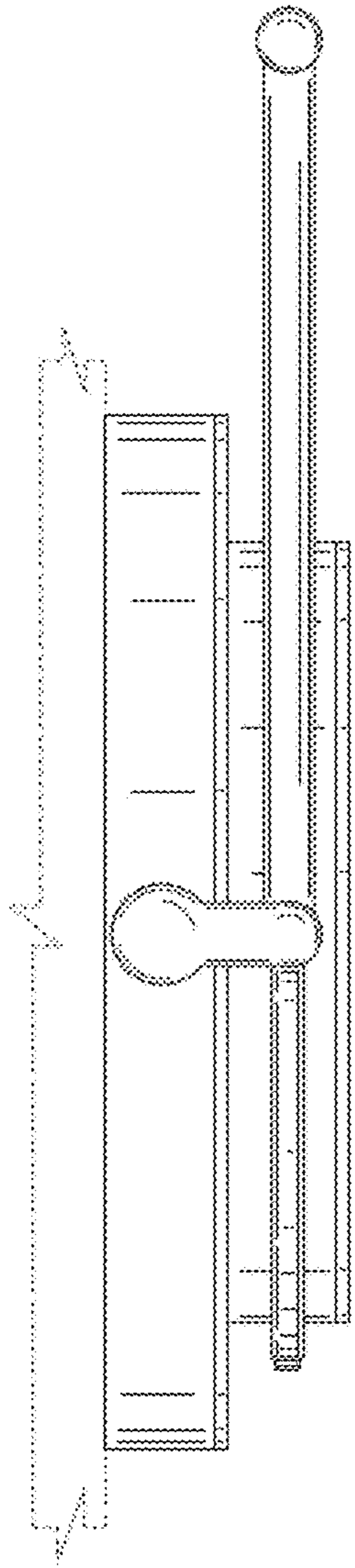


FIG. 13

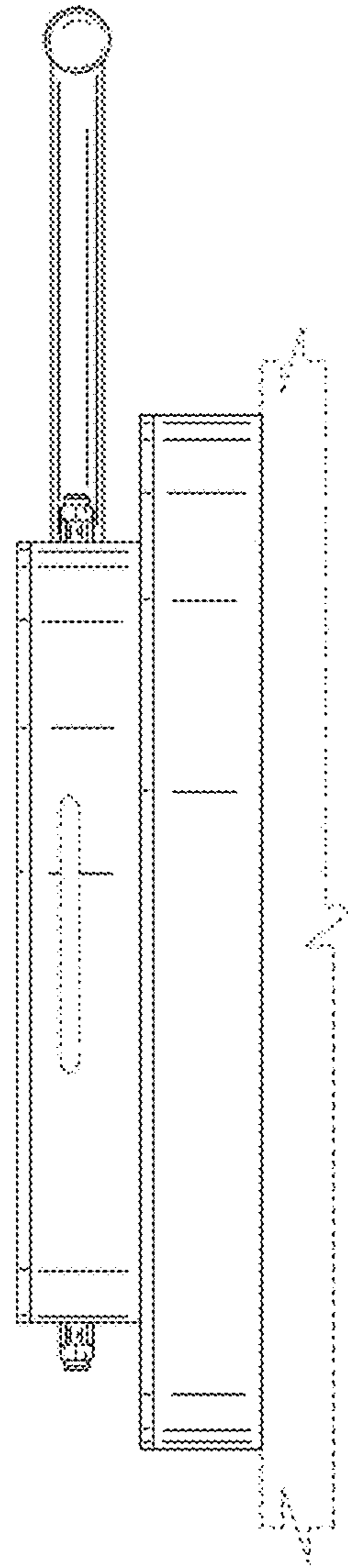


FIG. 14