



US00D802936S

(12) **United States Design Patent**
Nicoline

(10) **Patent No.:** **US D802,936 S**

(45) **Date of Patent:** **** Nov. 21, 2017**

(54) **MAKEUP BRUSH**

(71) Applicant: **Paris Presents Incorporated**, Gurnee, IL (US)

(72) Inventor: **Alyssa Carolyn Nicoline**, McHenry, IL (US)

(73) Assignee: **Paris Presents Incorporated**, Gurnee, IL (US)

(**) Term: **15 Years**

(21) Appl. No.: **29/596,179**

(22) Filed: **Mar. 6, 2017**

(51) **LOC (10) Cl.** **04-02**

(52) **U.S. Cl.**
USPC **D4/135**

(58) **Field of Classification Search**
USPC D4/121, 127, 135, 138; 15/106, 159.1, 15/160, 176.1, 184, 190-194; 132/289, 132/294, 298, 313, 317, 320; 401/123, 401/141, 175, 281
CPC A46B 7/026; A46B 5/005; A46B 17/04; A46B 2200/1046
See application file for complete search history.

(56) **References Cited**

U.S. PATENT DOCUMENTS

D30,616 S *	4/1899	Bentzinger	D4/135
1,500,925 A	7/1924	Coleman		
2,052,836 A	9/1936	Lowy		
D132,607 S	6/1942	Schwartz		
D147,406 S *	9/1947	Goeller	15/185
D158,728 S *	5/1950	Collins	D4/135
D183,913 S *	11/1958	Brands	D4/135
D205,127 S	6/1966	Dykes		
3,505,700 A	4/1970	Rodriguez		
D217,745 S	6/1970	Sitson		
D220,074 S	3/1971	Morris		
D251,159 S	2/1979	Tolliver		

D269,481 S	6/1983	Souza		
D278,951 S *	5/1985	Kalinsky	D28/7
4,617,694 A	10/1986	Bori		
D385,704 S *	11/1997	Williams	D4/114
D480,878 S	10/2003	Mastroianni		
D491,721 S	6/2004	Brattesani		
D562,005 S *	2/2008	King	D4/129

(Continued)

FOREIGN PATENT DOCUMENTS

DE	9315103	12/1993
WO	2010084870	7/2010

Primary Examiner — Austin Murphy

(74) *Attorney, Agent, or Firm* — Quarles & Brady LLP

(57) **CLAIM**

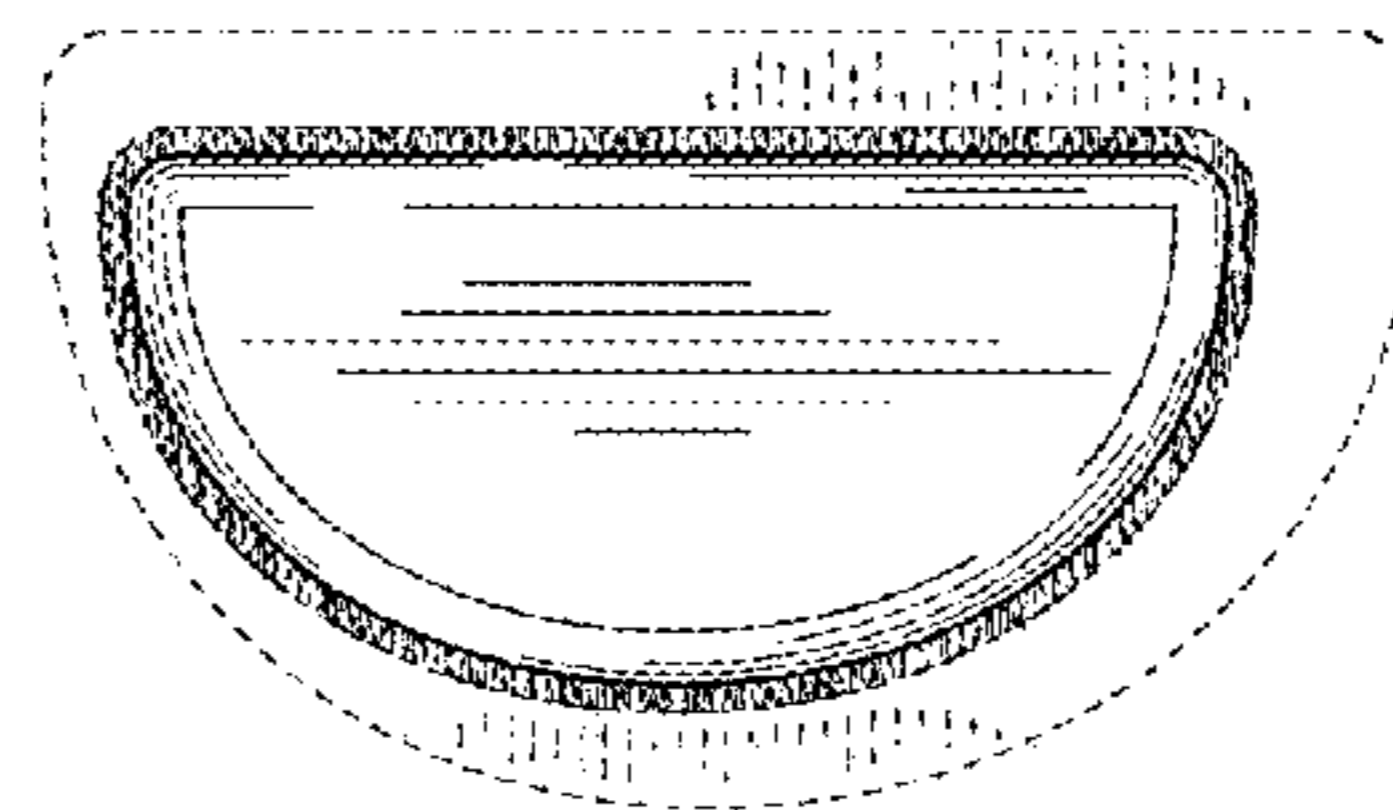
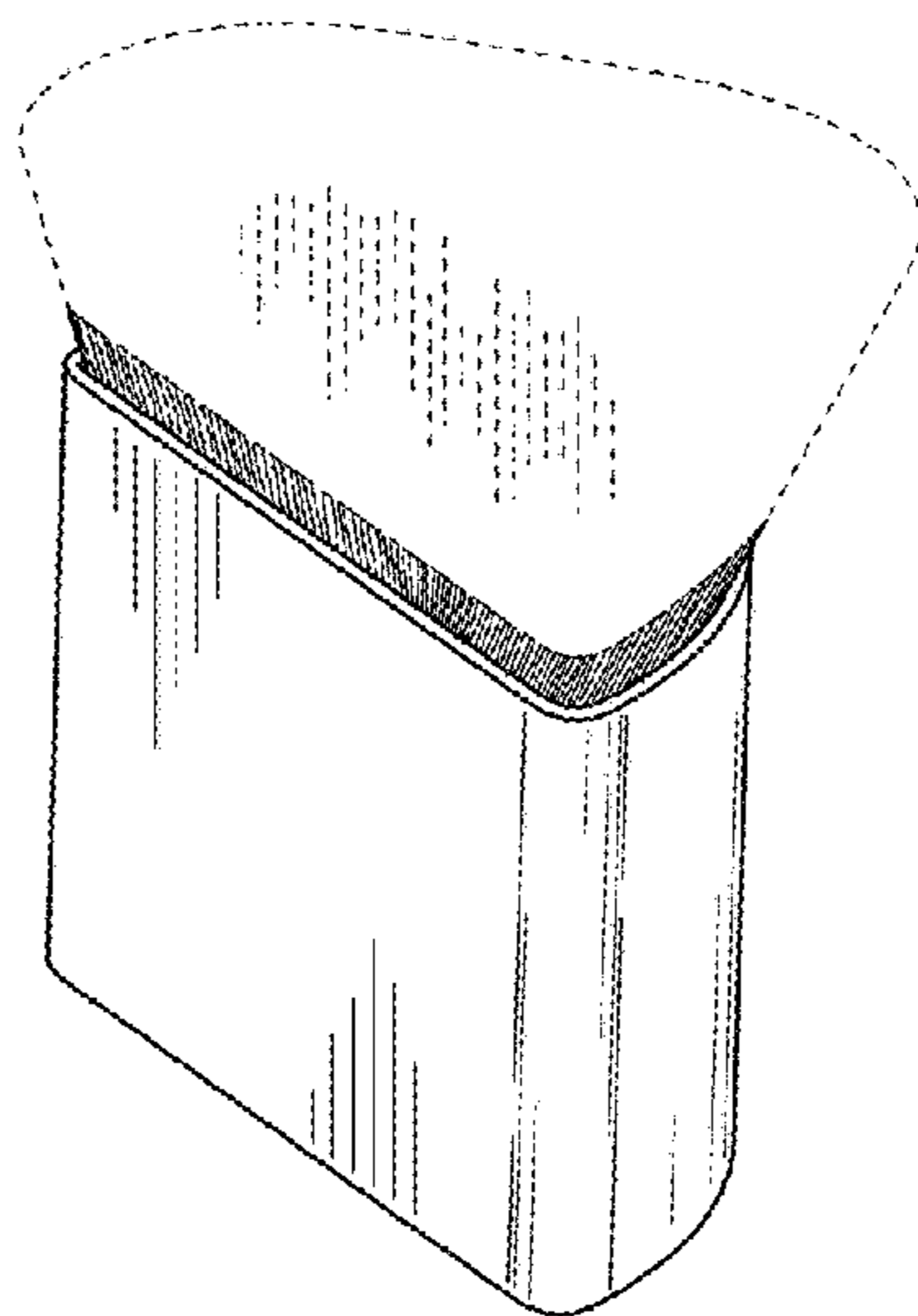
The ornamental design for a makeup brush, as shown and described.

DESCRIPTION

FIG. 1 is an isometric view of a front, top, and right side of an ornamental design for a makeup brush;
FIG. 2 is a front elevational view of the makeup brush of FIG. 1;
FIG. 3 is a rear elevational view of the makeup brush of FIG. 1;
FIG. 4 is a right side elevational view of the makeup brush of FIG. 1;
FIG. 5 is a left side elevational view of the makeup brush of FIG. 1;
FIG. 6 is a top plan view of the makeup brush of FIG. 1; and,
FIG. 7 is a bottom plan view of the makeup brush of FIG. 1.

The dash-dash-dash lines are for the purpose of illustrating environmental structure and form no part of the claimed design. The dash-dot-dash lines are for the purpose of illustrating a boundary line and form no part of the claimed design.

1 Claim, 2 Drawing Sheets



(56)

References Cited

U.S. PATENT DOCUMENTS

D576,804 S	9/2008	Pulfrey	
D601,804 S	10/2009	Hwang	
D660,600 S	5/2012	Pottes	
D688,465 S	8/2013	Khubani	
D697,314 S	1/2014	Tronconi	
D706,542 S *	6/2014	Lavigne	D4/135
D721,892 S *	2/2015	Ash	D4/114
D734,949 S	7/2015	Behnam	
D757,442 S	5/2016	Waitesmith	
D765,421 S *	9/2016	Cole	D4/135
D790,226 S *	6/2017	Grant	D4/136
2005/0273959 A1	12/2005	Dillon	
2008/0172816 A1	7/2008	Zhadanov	

* cited by examiner

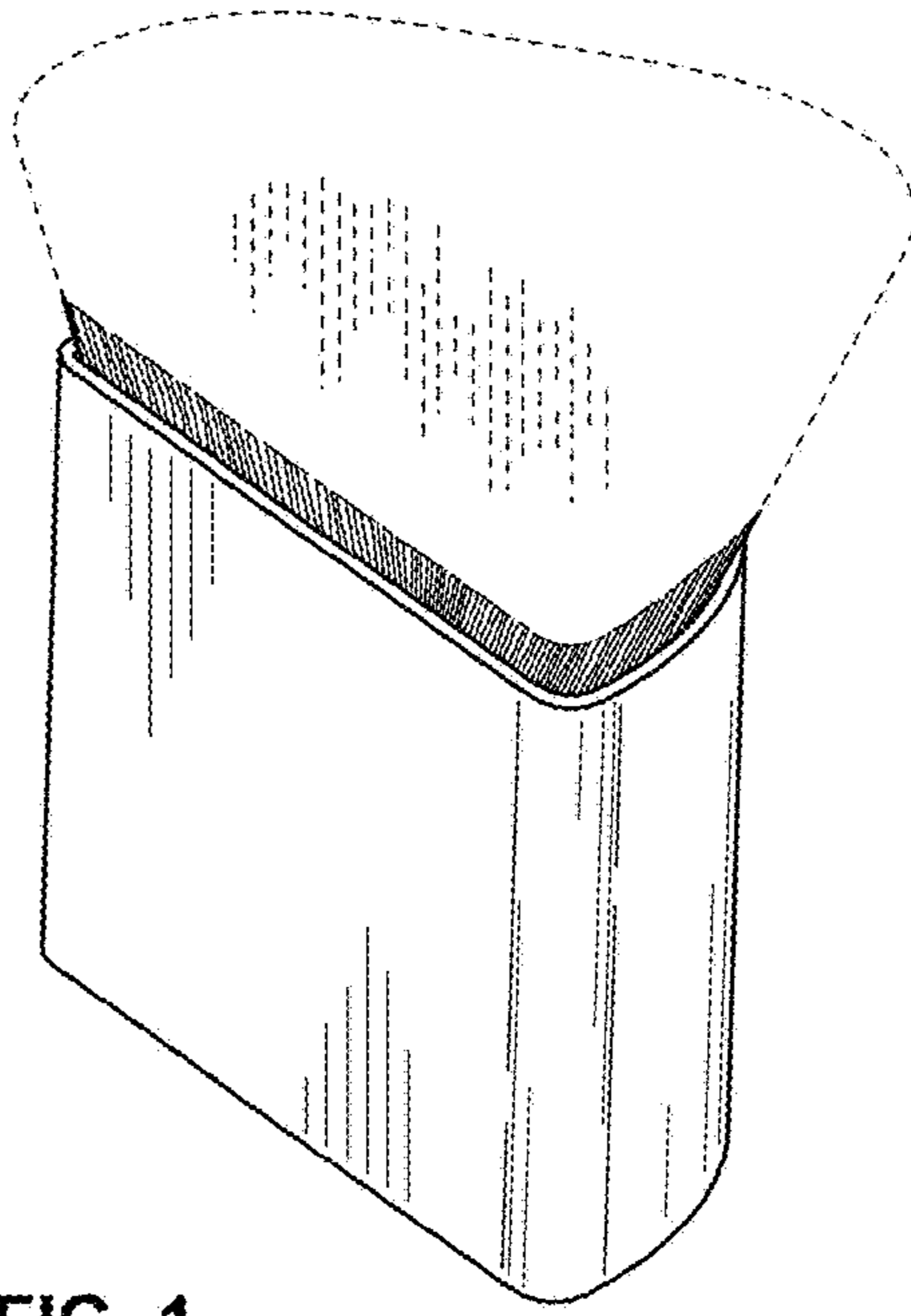


FIG. 1

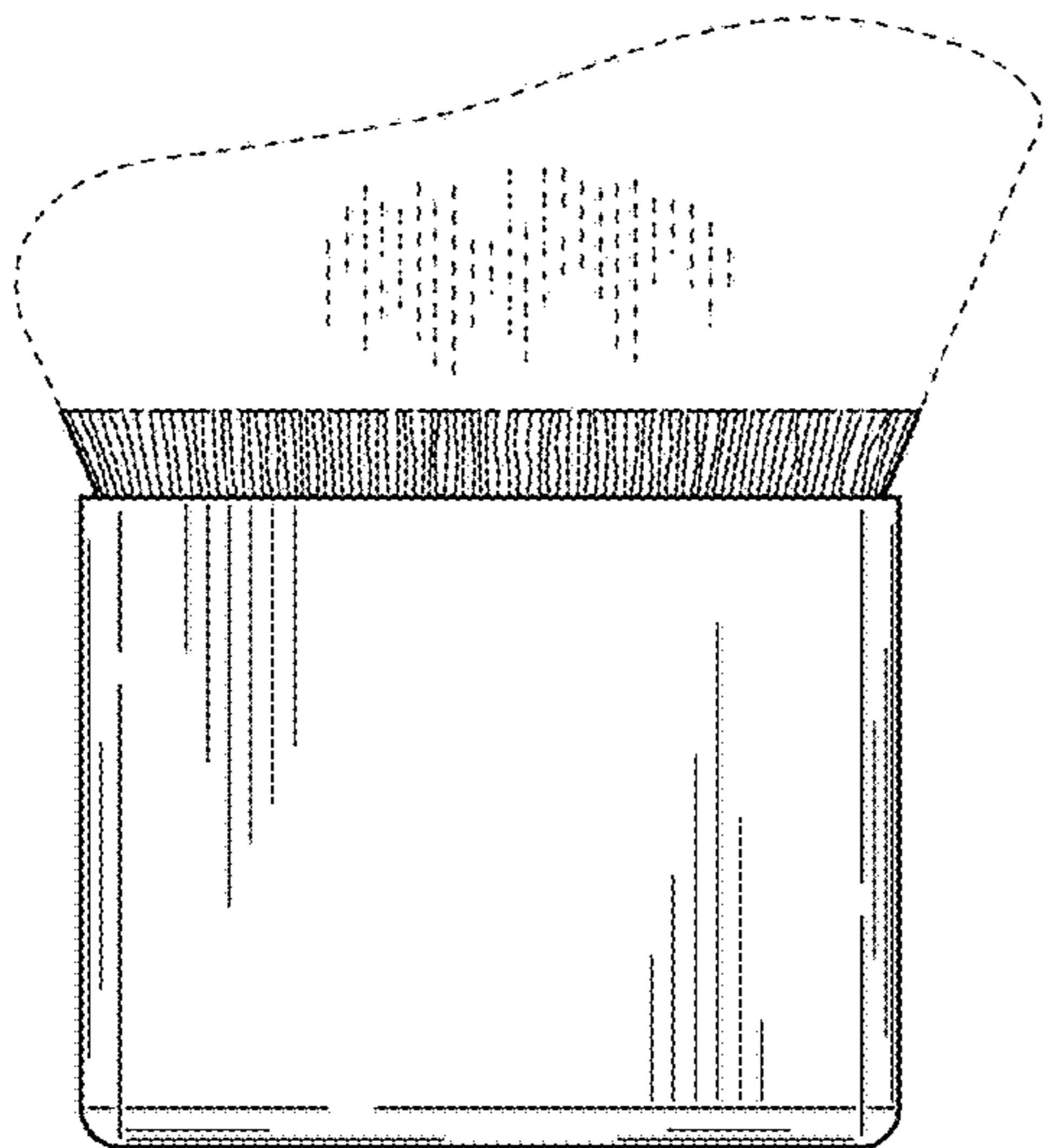


FIG. 2

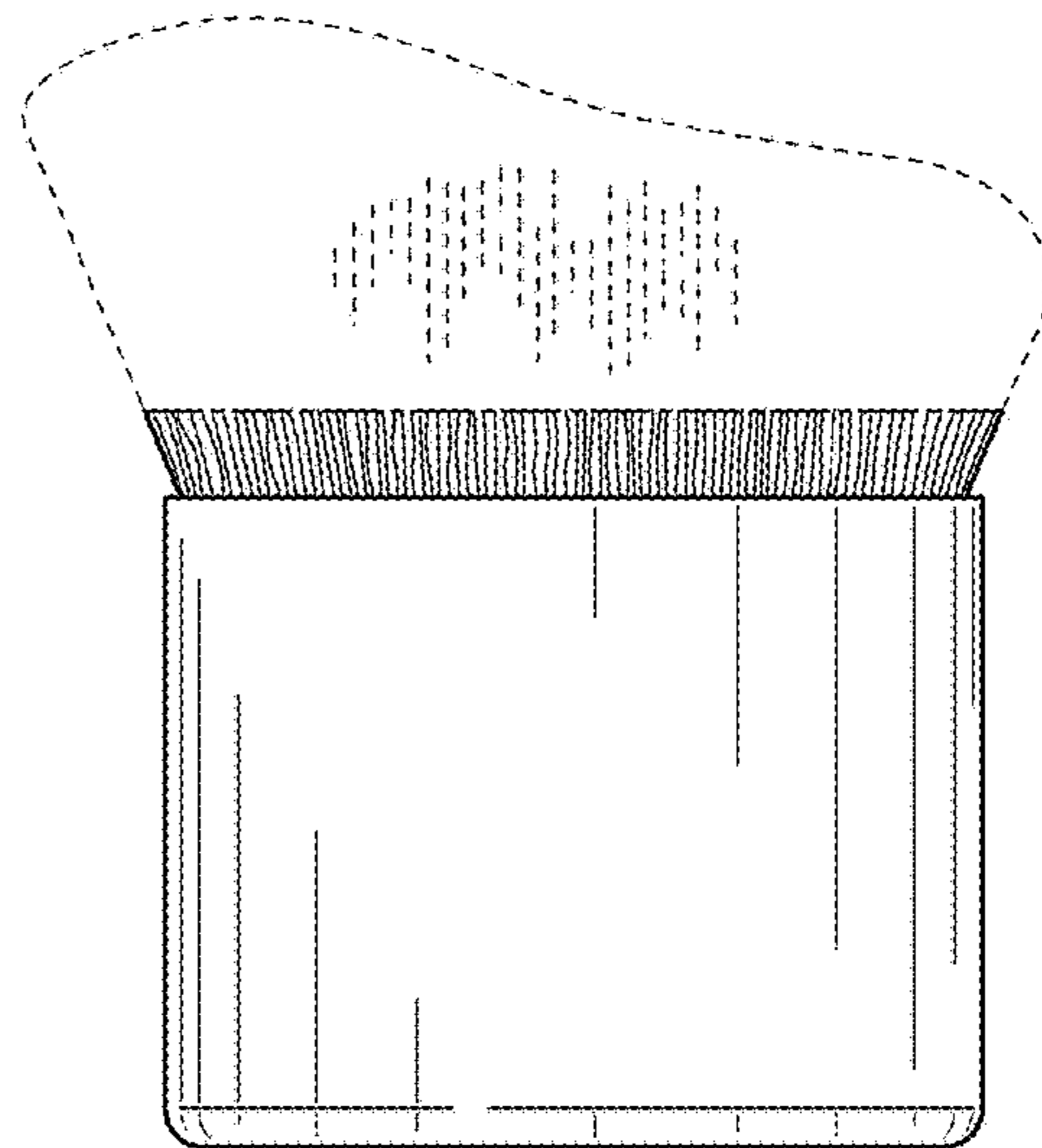


FIG. 3

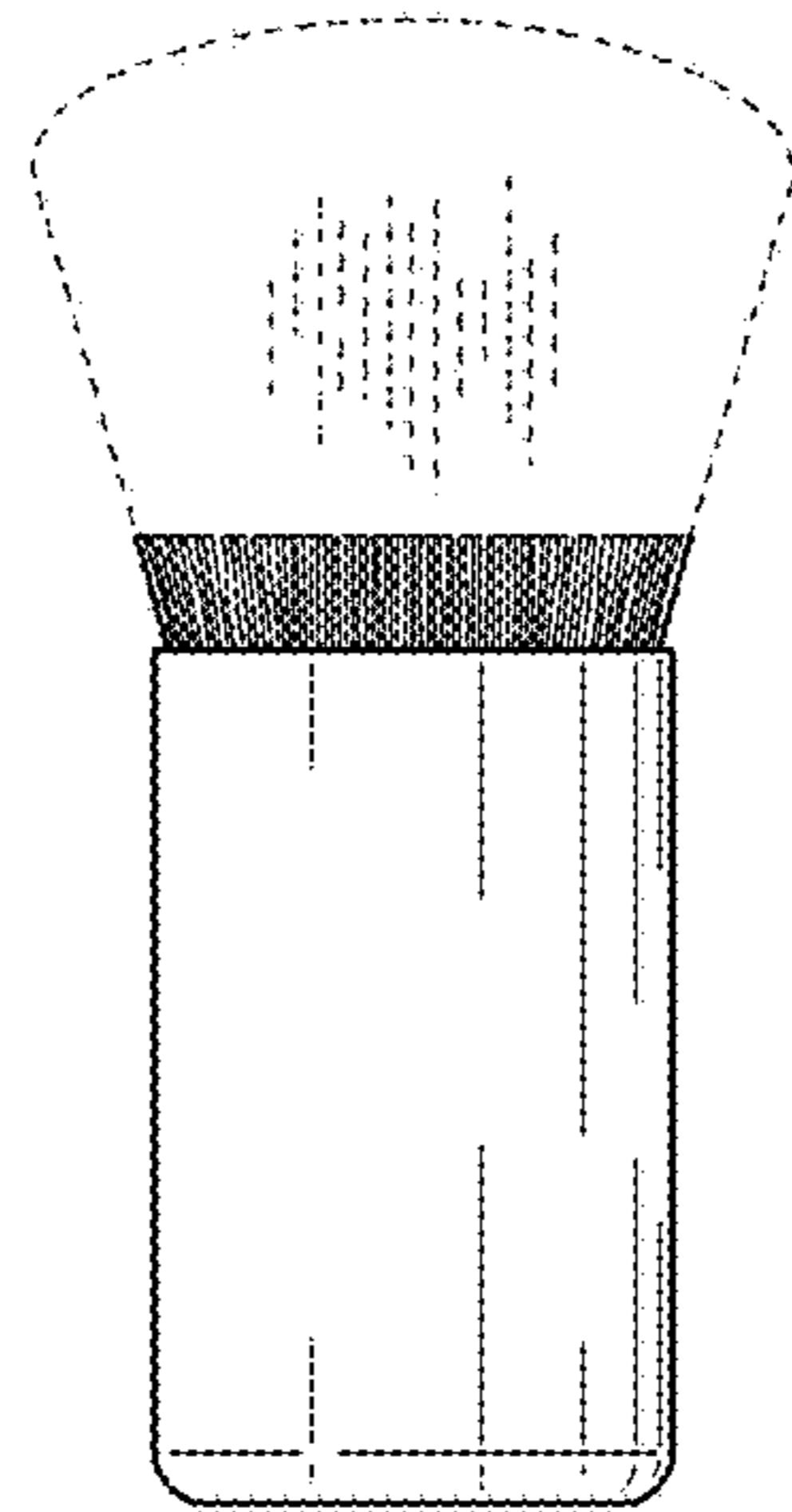


FIG. 4

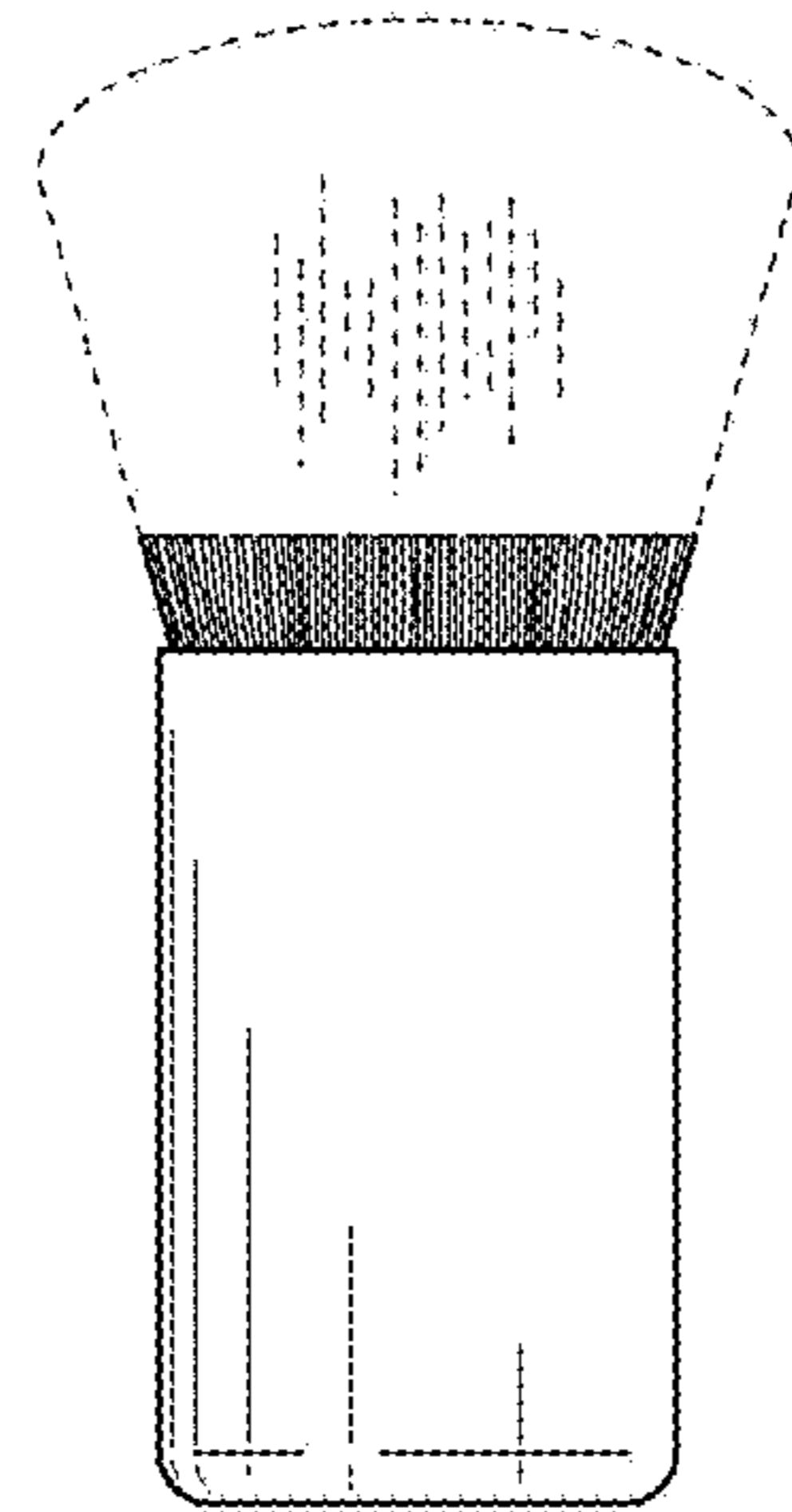


FIG. 5

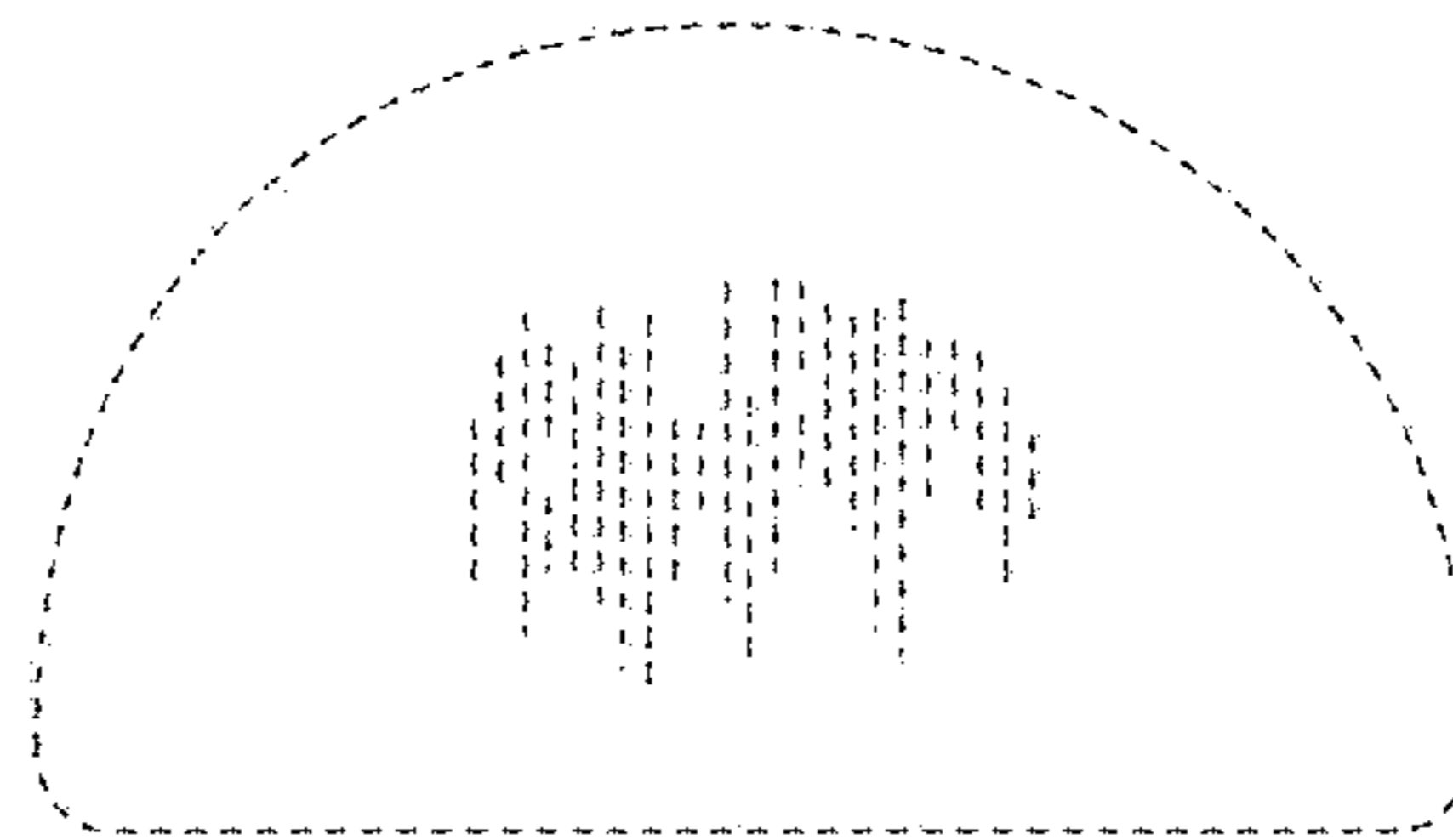


FIG. 6

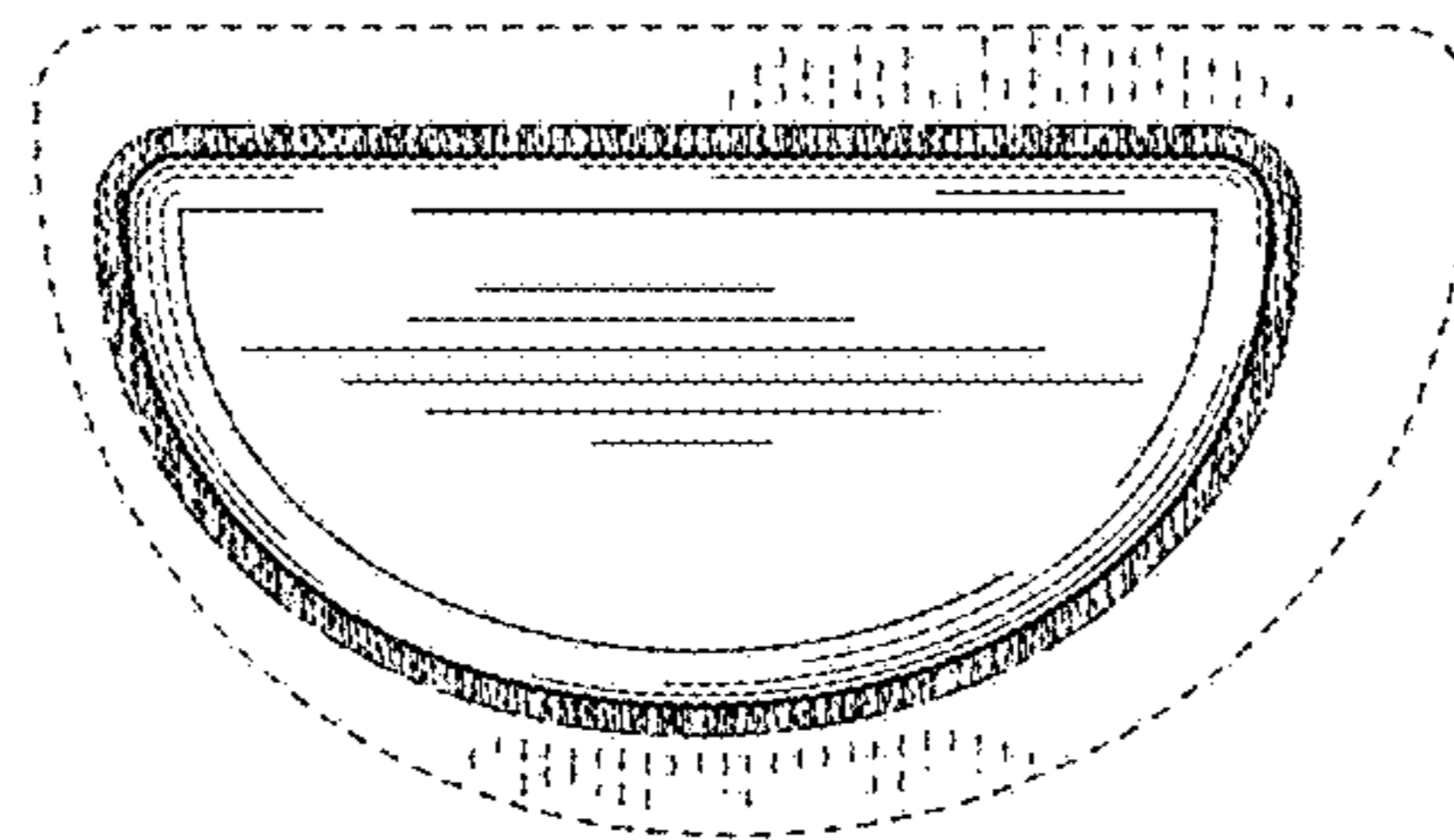


FIG. 7