



US00D802934S

(12) **United States Design Patent** (10) **Patent No.:** **US D802,934 S**  
**Jose** (45) **Date of Patent:** **\*\* Nov. 21, 2017**

- (54) **SUITCASE LID WITH A HATCH**
- (71) Applicant: **Boban Jose**, San Ramon, CA (US)
- (72) Inventor: **Boban Jose**, San Ramon, CA (US)
- (\*\*) Term: **15 Years**
- (21) Appl. No.: **29/553,766**
- (22) Filed: **Feb. 4, 2016**
- (51) **LOC (10) Cl.** ..... **03-01**
- (52) **U.S. Cl.**  
 USPC ..... **D3/321; D3/273**
- (58) **Field of Classification Search**  
 USPC ..... D3/201, 204, 216, 272-275, 279, 280,  
 D3/282, 283, 284, 288, 289, 294, 309,  
 D3/315, 318, 321, 322, 323, 902; D5/1,  
 D5/2, 4, 47, 54, 58, 59, 62; D9/430-433;  
 D10/49, 50, 60, 103, 125, 132; D12/406,  
 D12/409, 410, 412, 413; D14/341, 443,  
 D14/448, 451; D24/185; D25/48.8, 141,  
 D25/152, 153; D34/25  
 CPC ..... A45C 5/00; A45C 5/03; A45C 2005/032;  
 A45C 2005/035; A45C 2005/037  
 See application file for complete search history.

(56) **References Cited**

**U.S. PATENT DOCUMENTS**

D79,531 S *	10/1929	Schleicher	.....	229/163
D336,875 S *	6/1993	Cox	.....	D12/413
D342,193 S *	12/1993	Smith	.....	D7/629
D344,832 S *	3/1994	Cyphers	.....	D34/24
D392,563 S *	3/1998	Iwanaga	.....	D9/422
D437,110 S *	2/2001	Ivarson	.....	D3/216
D507,176 S *	7/2005	Abgarian	.....	D9/416
D525,031 S *	7/2006	Miles	.....	D3/279
D550,964 S *	9/2007	Bettua	.....	D3/321
D592,050 S *	5/2009	Casebasse	.....	D9/431

D630,426 S *	1/2011	Wilfer	.....	D3/204
D637,138 S *	5/2011	Ehrat	.....	D12/413
D645,341 S *	9/2011	Bhattacharya	.....	D9/430
D660,584 S *	5/2012	Cross	.....	D3/216
D669,018 S *	10/2012	Ehrat	.....	D12/413
D672,955 S *	12/2012	Benshetrit	.....	D3/279
D705,813 S *	5/2014	Deguchi	.....	D14/498
D710,608 S *	8/2014	Yoneno	.....	D3/279
D719,736 S *	12/2014	Blount	.....	D3/318
D726,405 S *	4/2015	Nassanian	.....	D3/216
D743,168 S *	11/2015	Niu	.....	D3/279
D743,698 S *	11/2015	Della Vecchia	.....	D3/273
D753,537 S *	4/2016	Modi	.....	D11/90

\* cited by examiner

*Primary Examiner* — Susan E Krakower  
*Assistant Examiner* — L. A. Grabenstetter  
 (74) *Attorney, Agent, or Firm* — Law Office of Ilya Libenzon

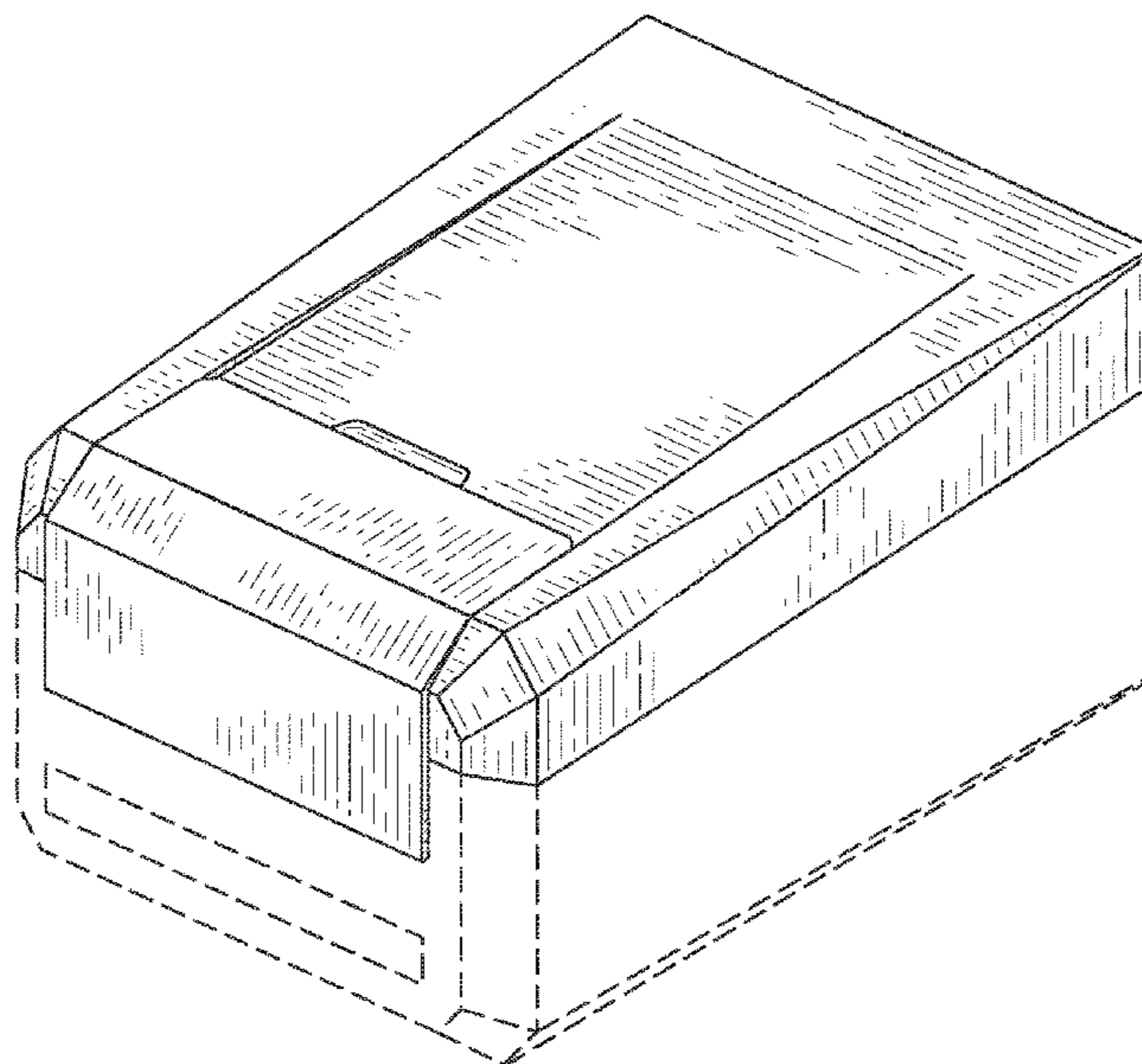
(57) **CLAIM**

What is claimed is the ornamental design for a suitcase lid with a hatch, as shown and described.

**DESCRIPTION**

FIG. 1 is a perspective view of a suitcase lid with a hatch according to the present invention;  
 FIG. 2 is a front view of the suitcase lid according to the present invention;  
 FIG. 3 is a side view of the suitcase lid according to the present invention;  
 FIG. 4 is an opposite side view of the suitcase lid according to the present invention; and,  
 FIG. 5 is a top view of the suitcase lid according to the present invention.  
 The broken lines depict unclaimed portions of the suitcase lid, which form no part of the claimed design.

**1 Claim, 5 Drawing Sheets**



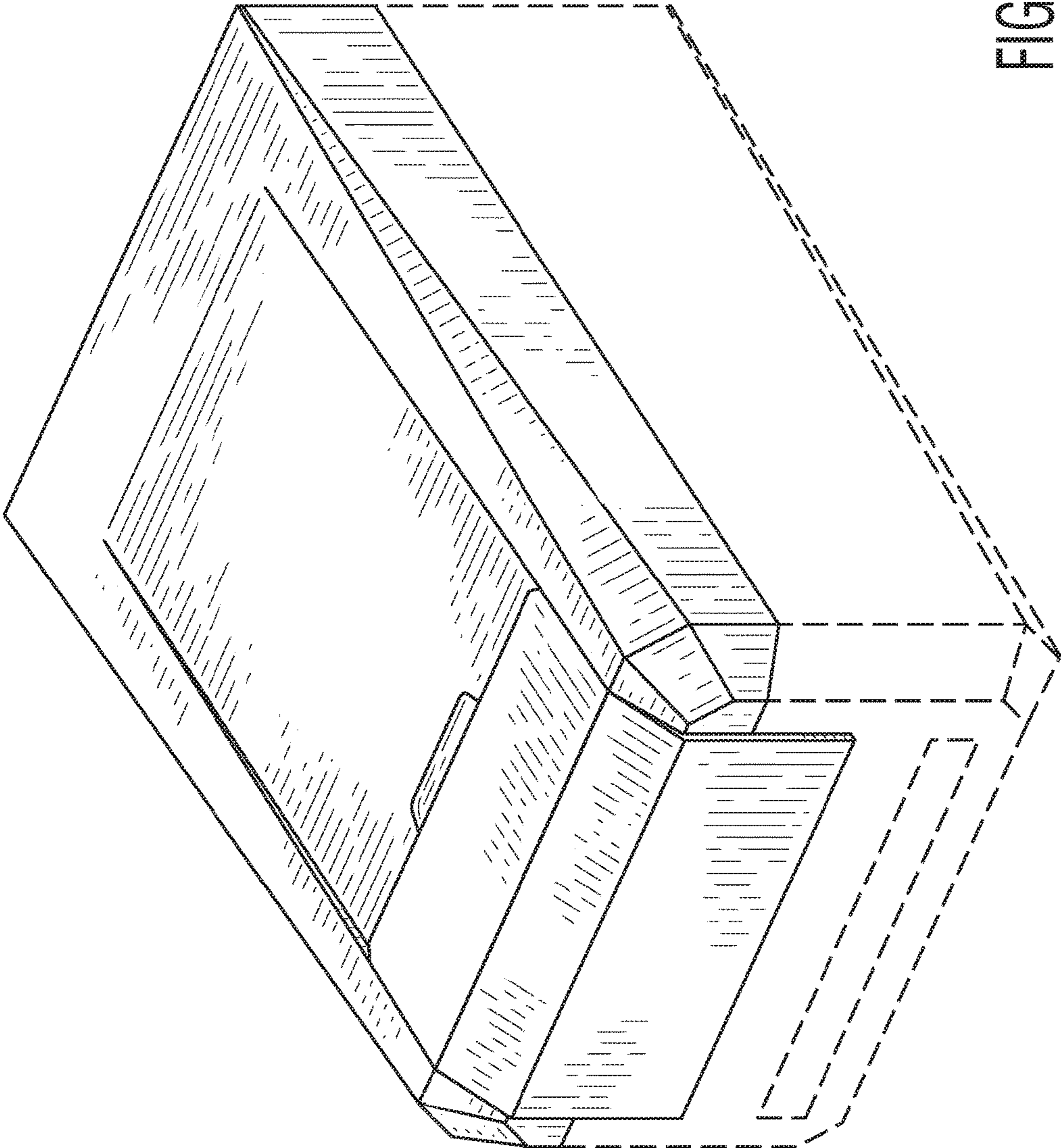


FIG. 1

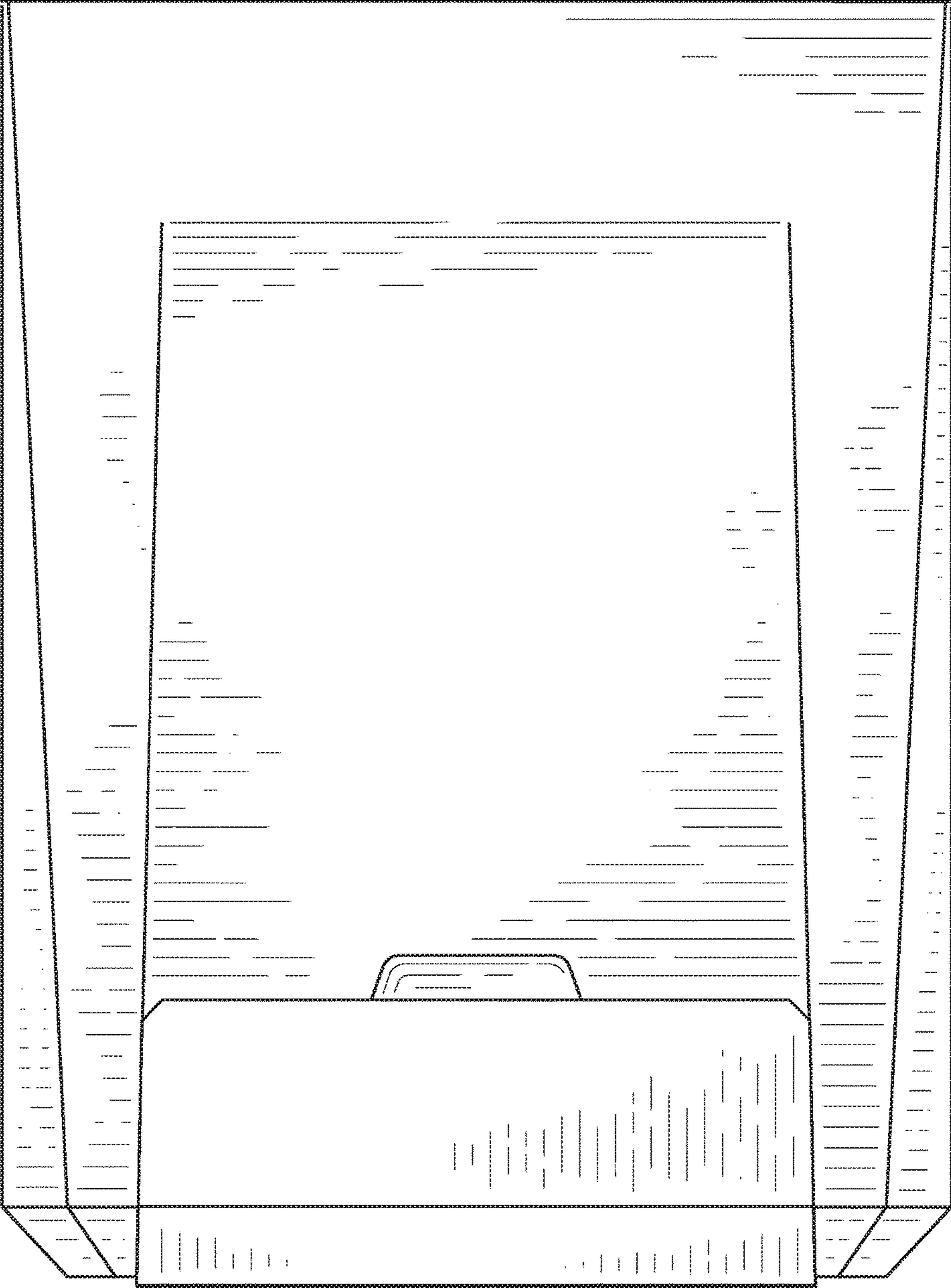


FIG. 2

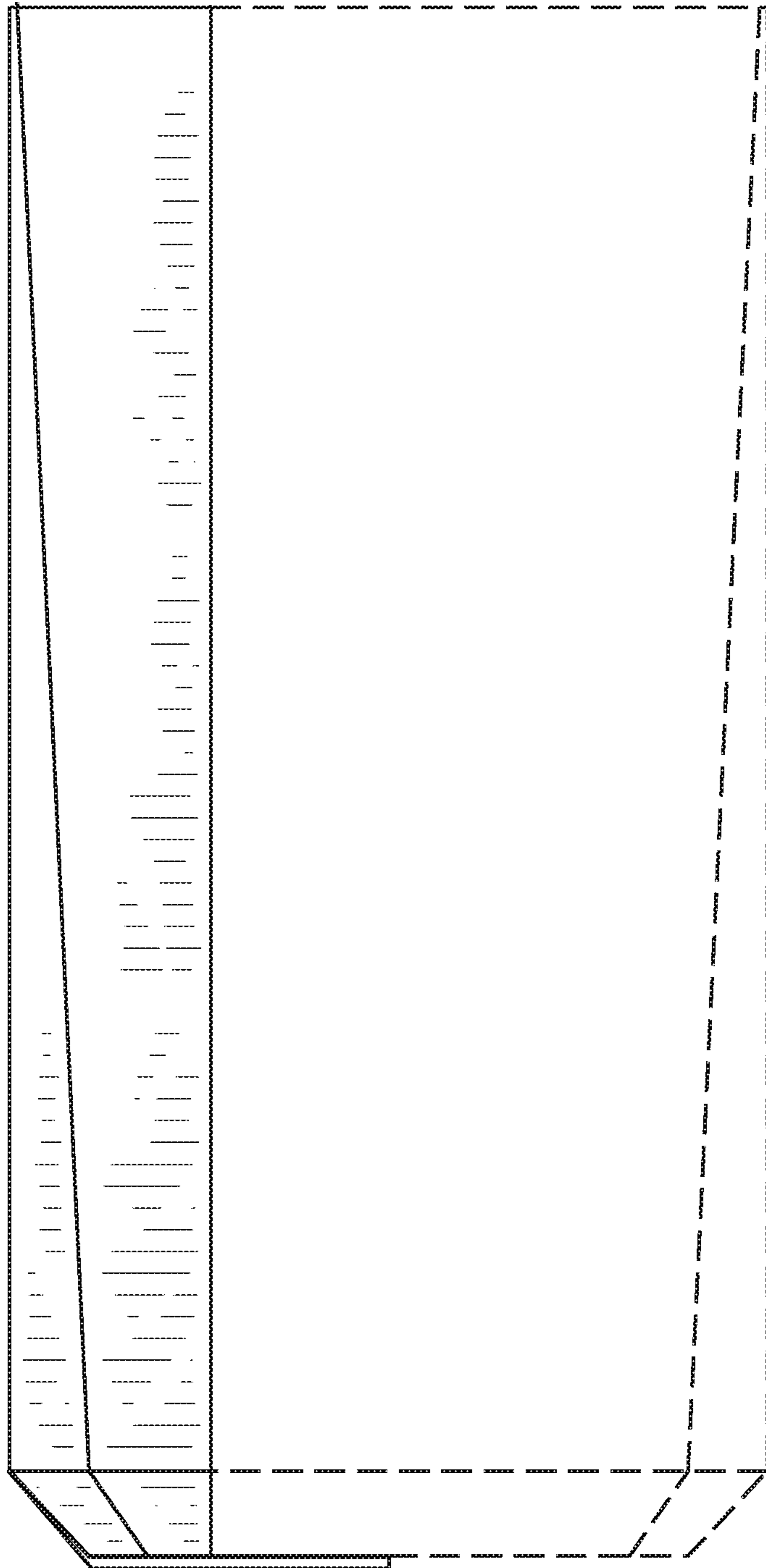


FIG. 3

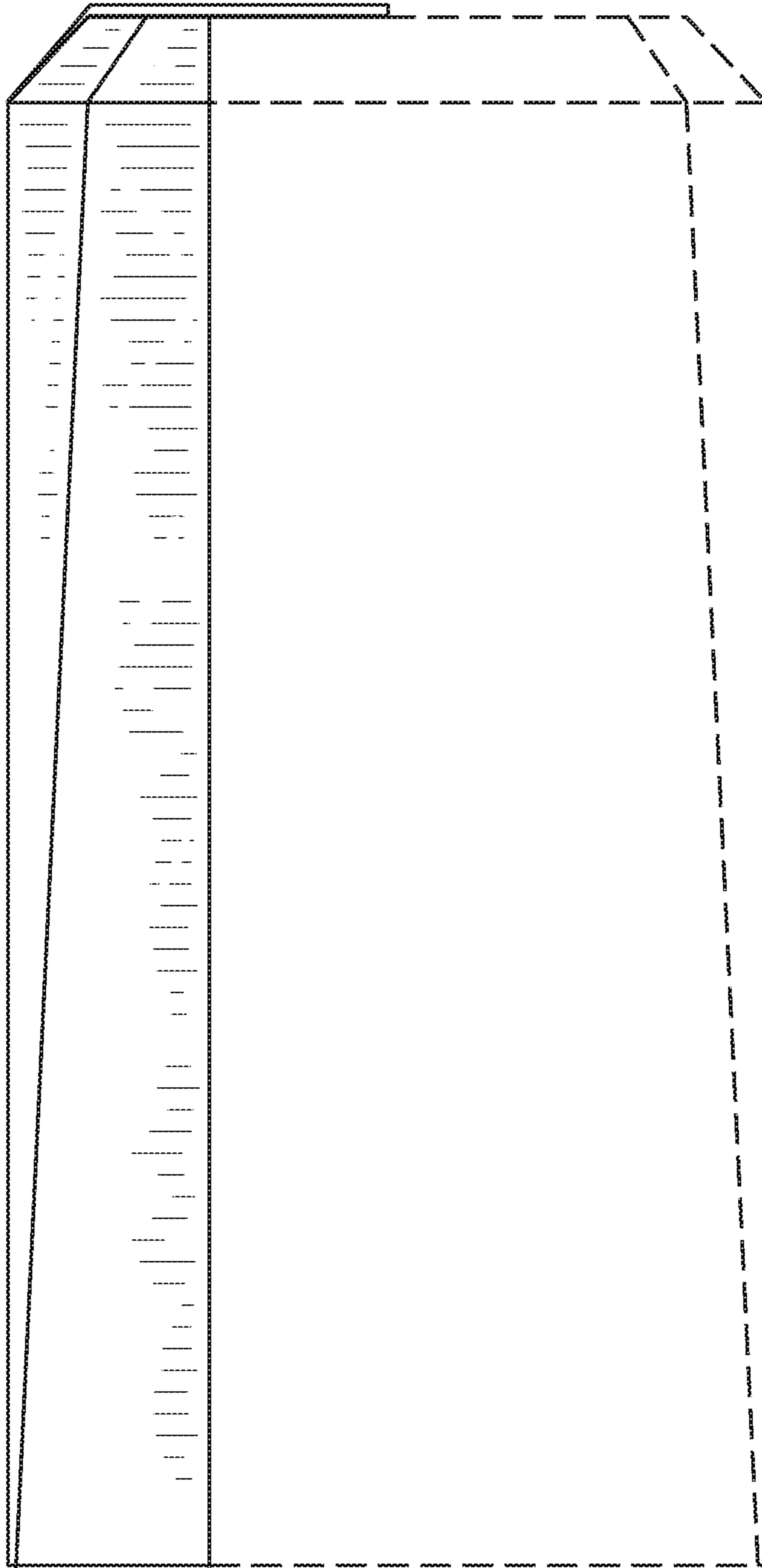


FIG. 4

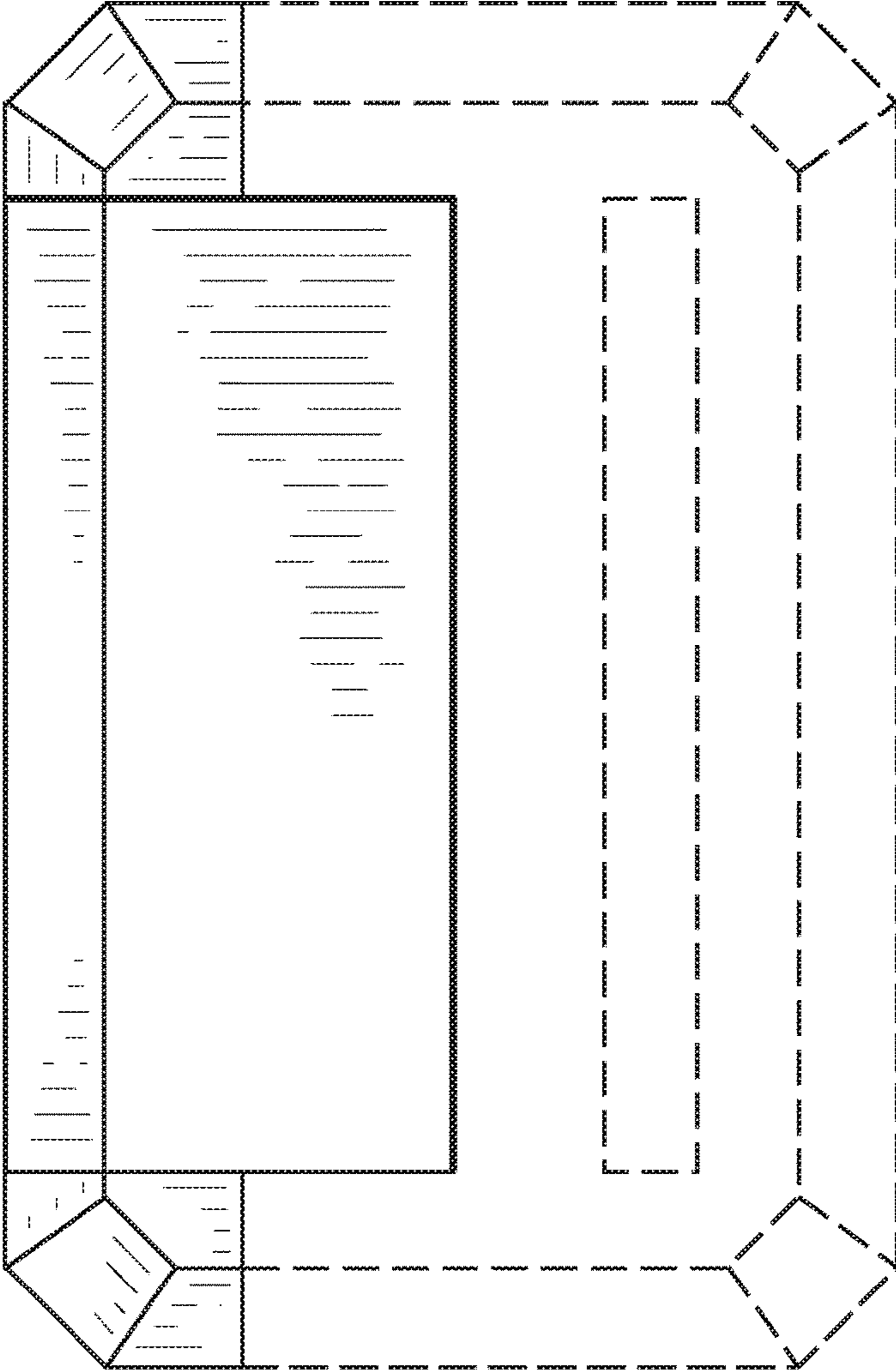


FIG. 5