



US00D802933S

(12) **United States Design Patent**
Morszeck

(10) **Patent No.:** **US D802,933 S**

(45) **Date of Patent:** **** Nov. 21, 2017**

(54) **WHEEL**

(71) Applicant: **Rimowa GmbH**, Cologne (DE)

(72) Inventor: **Dieter Morszeck**, Cologne (DE)

(73) Assignee: **Rimowa GmbH**, Cologne (DE)

(**) Term: **15 Years**

(21) Appl. No.: **29/568,807**

(22) Filed: **Jun. 21, 2016**

(30) **Foreign Application Priority Data**

Dec. 23, 2015 (EM) 002922237

(51) **LOC (10) Cl.** **03-01**

(52) **U.S. Cl.**

USPC **D3/318; D8/375**

(58) **Field of Classification Search**

USPC **D3/318; D8/375**

CPC .. **B60B 33/00; B60B 33/0002; B60B 33/0028**

See application file for complete search history.

(56) **References Cited**

U.S. PATENT DOCUMENTS

D556,555 S * 12/2007 Tamara D8/375

D556,556 S * 12/2007 Tamara D8/375

D703,442 S * 4/2014 Parker D3/318

D721,497 S * 1/2015 Parker D3/318

D728,354 S * 5/2015 Fan D8/375

D729,051 S * 5/2015 Fan D8/375

D732,293 S * 6/2015 Parker D3/318

D735,022 S * 7/2015 Fan D8/375

* cited by examiner

Primary Examiner — Holly H Baynham

(74) *Attorney, Agent, or Firm* — BainwoodHuang

(57) **CLAIM**

The ornamental design for a wheel, as shown.

DESCRIPTION

FIG. 1 is a perspective front view of a wheel according to my new design;

FIG. 2 is a front view thereof;

FIG. 3 is a rear view thereof;

FIG. 4 is a left side view thereof;

FIG. 5 is a right side view thereof;

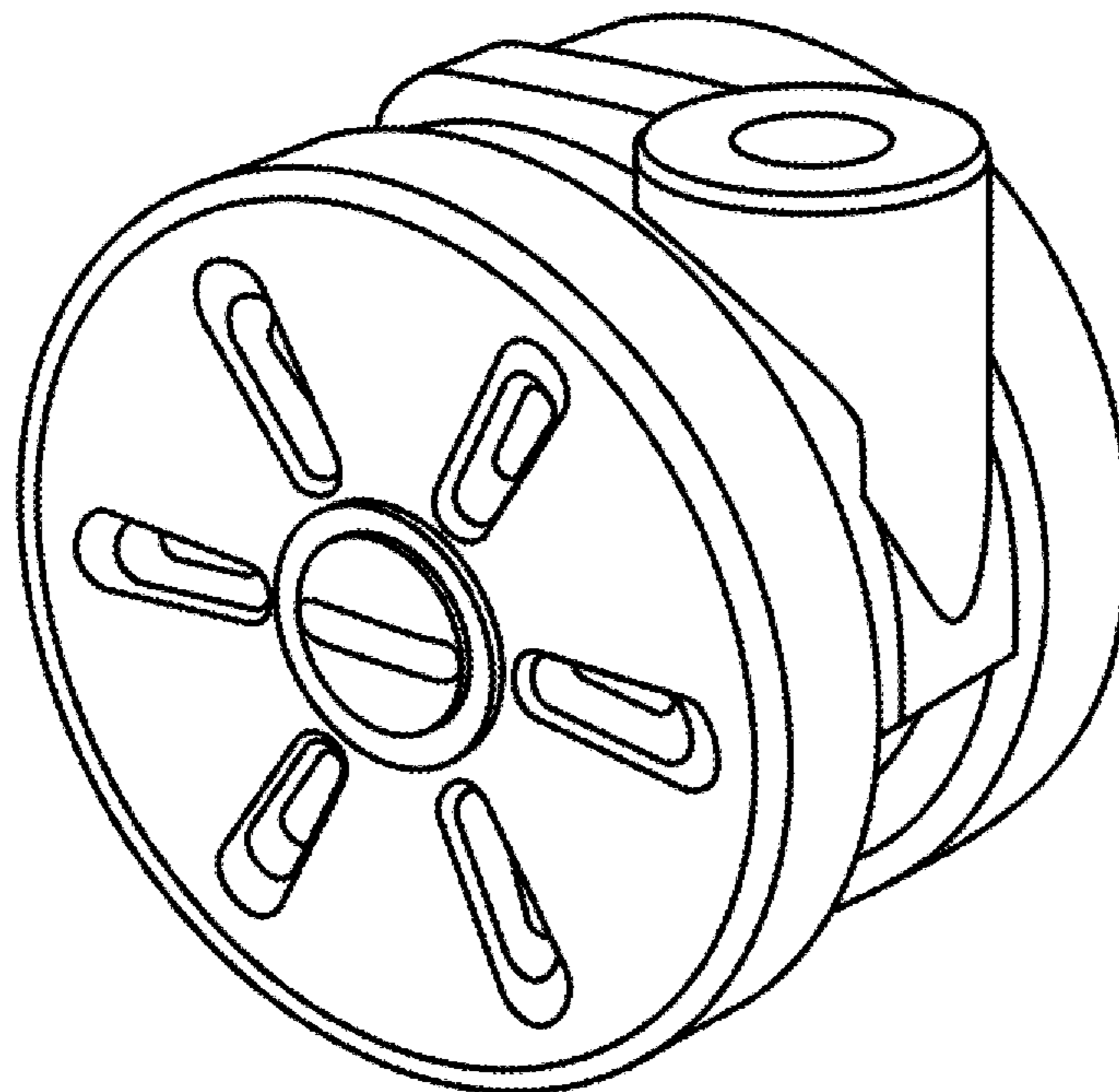
FIG. 6 is a top view thereof;

FIG. 7 is a bottom view thereof; and,

FIG. 8 is a reduced-scale, environmental perspective view thereof.

The broken lines showing a suitcase, rear element and two wheels are for the purposes of illustrating environment and form no part of the claimed design.

1 Claim, 8 Drawing Sheets



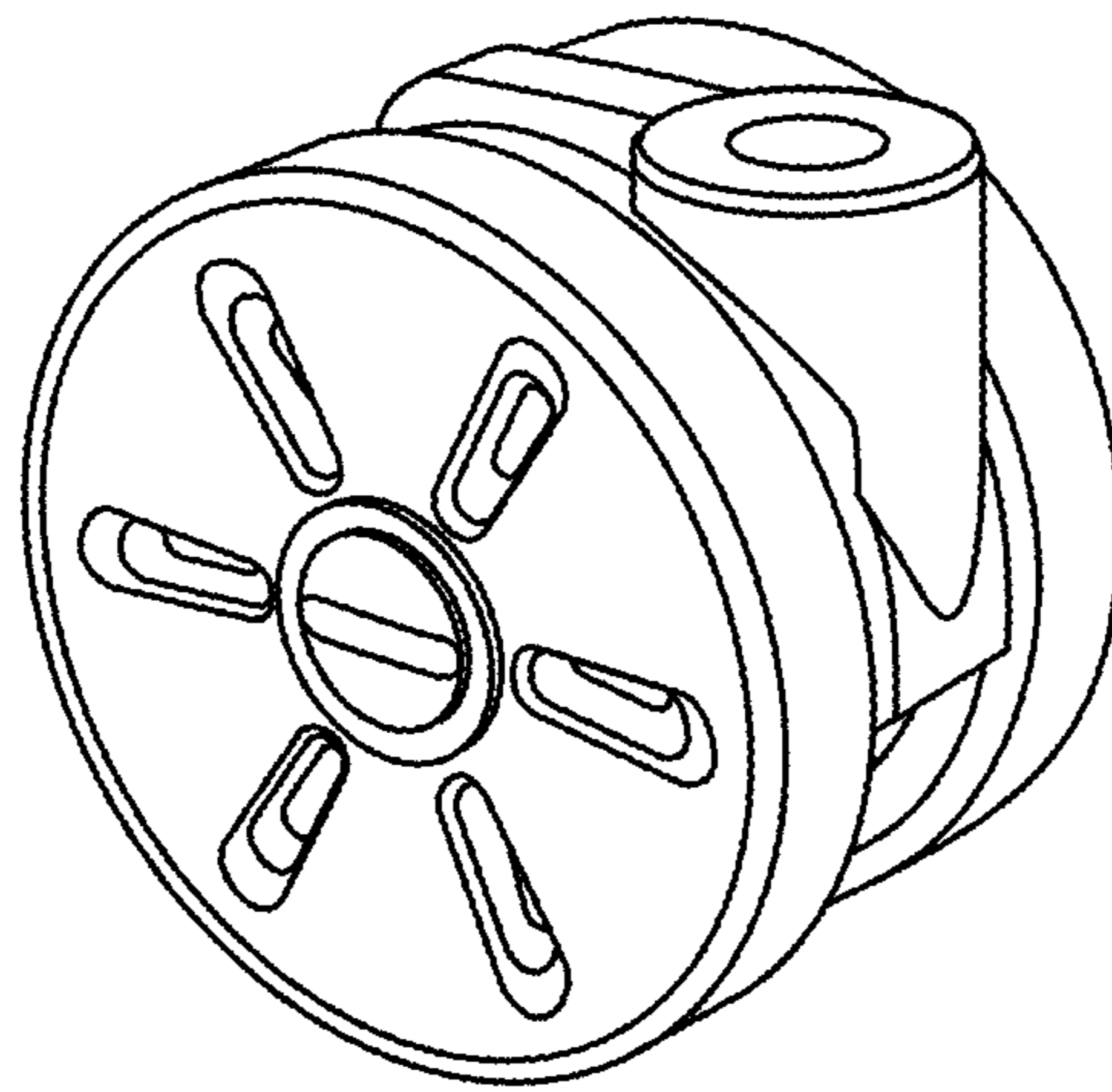


FIG. 1

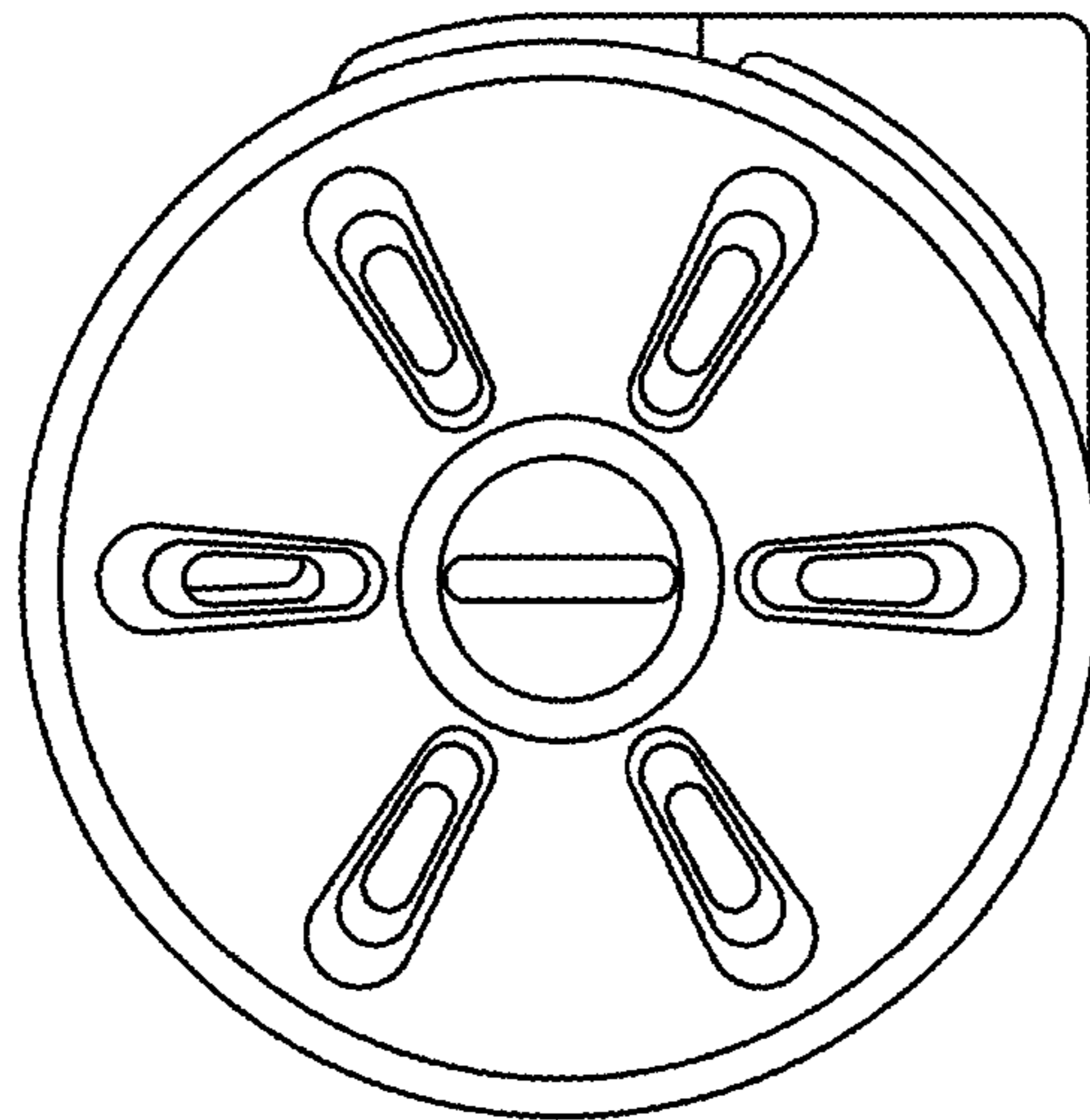


FIG. 2

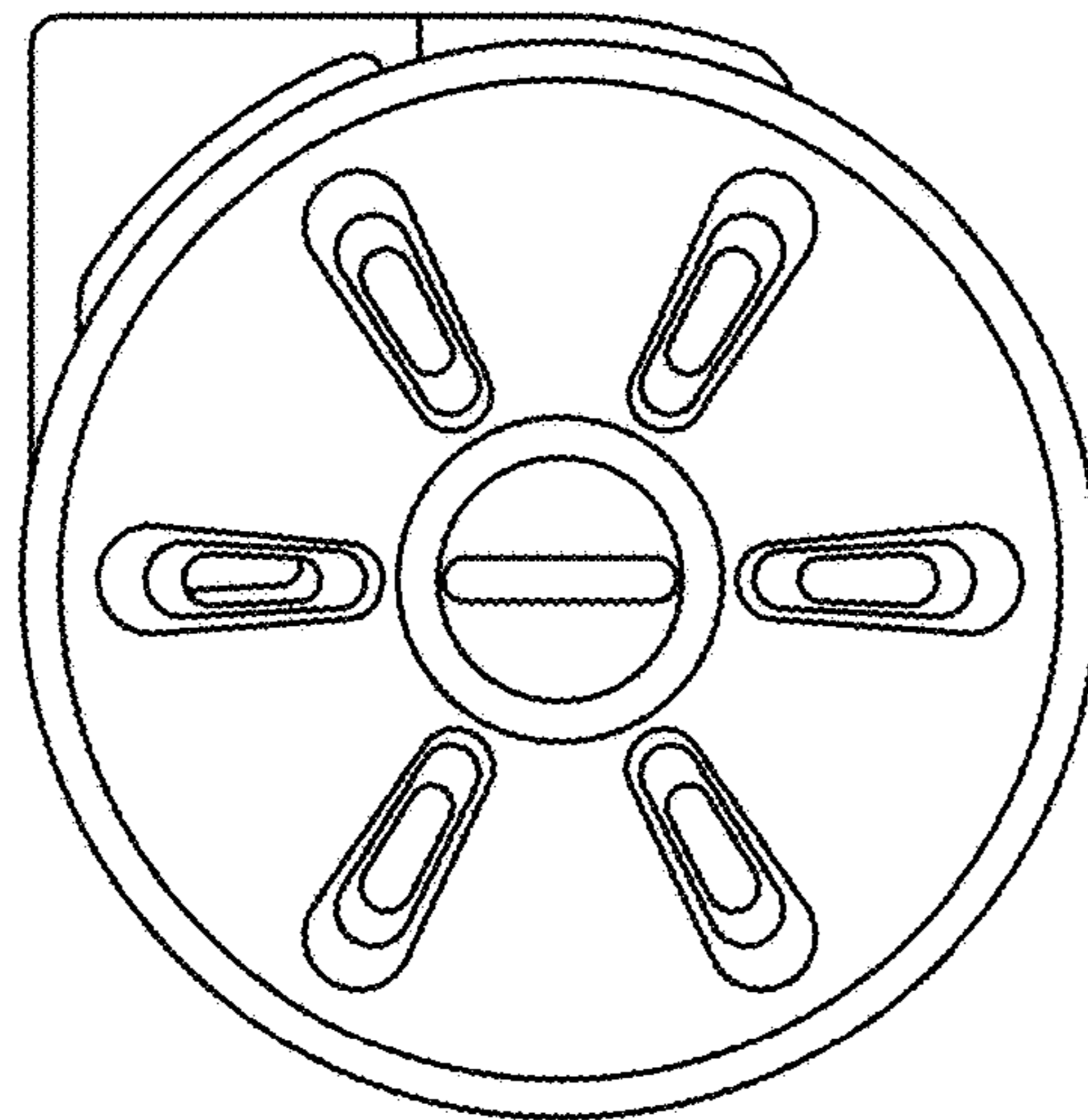


FIG. 3

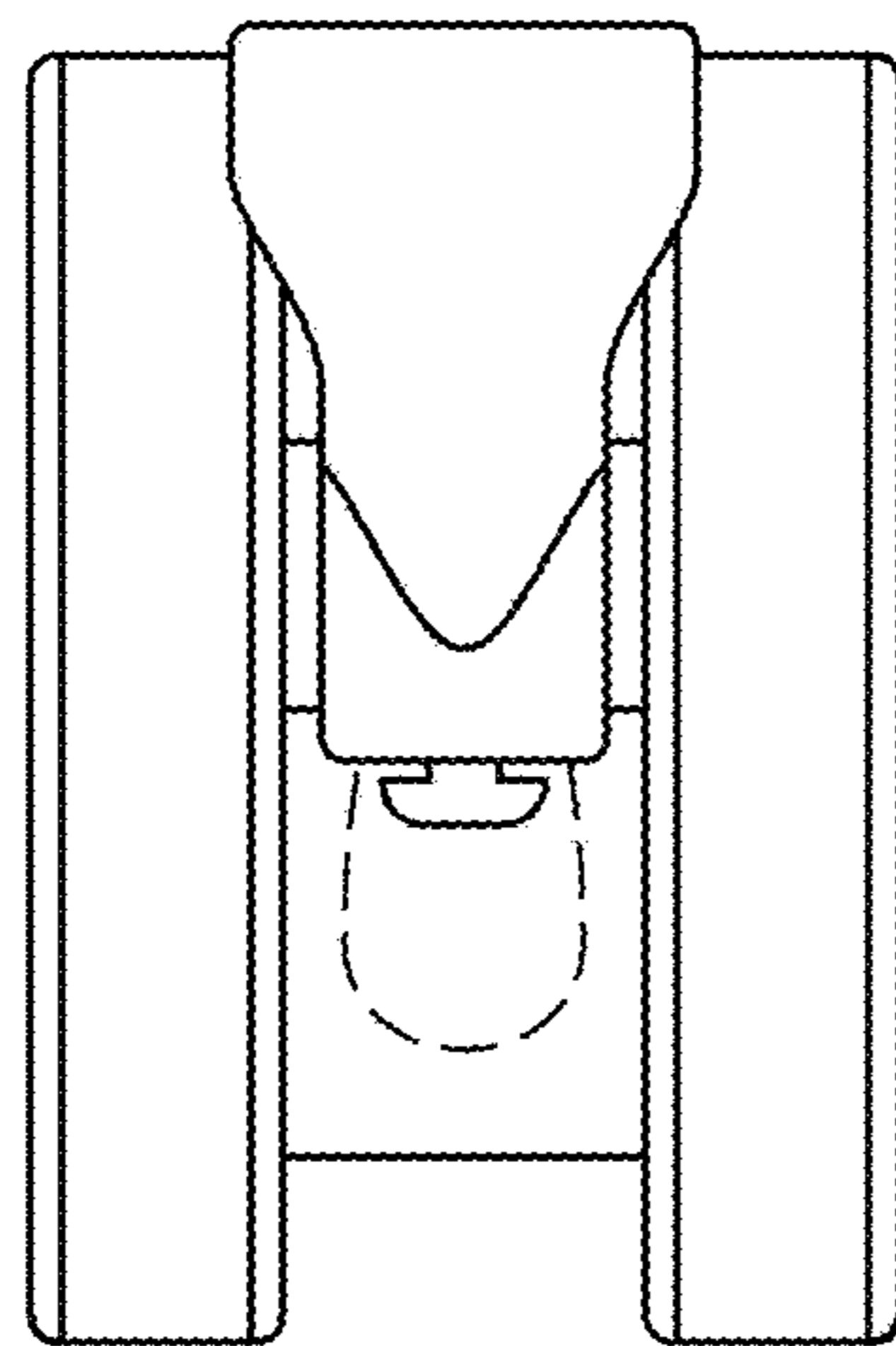


FIG. 4

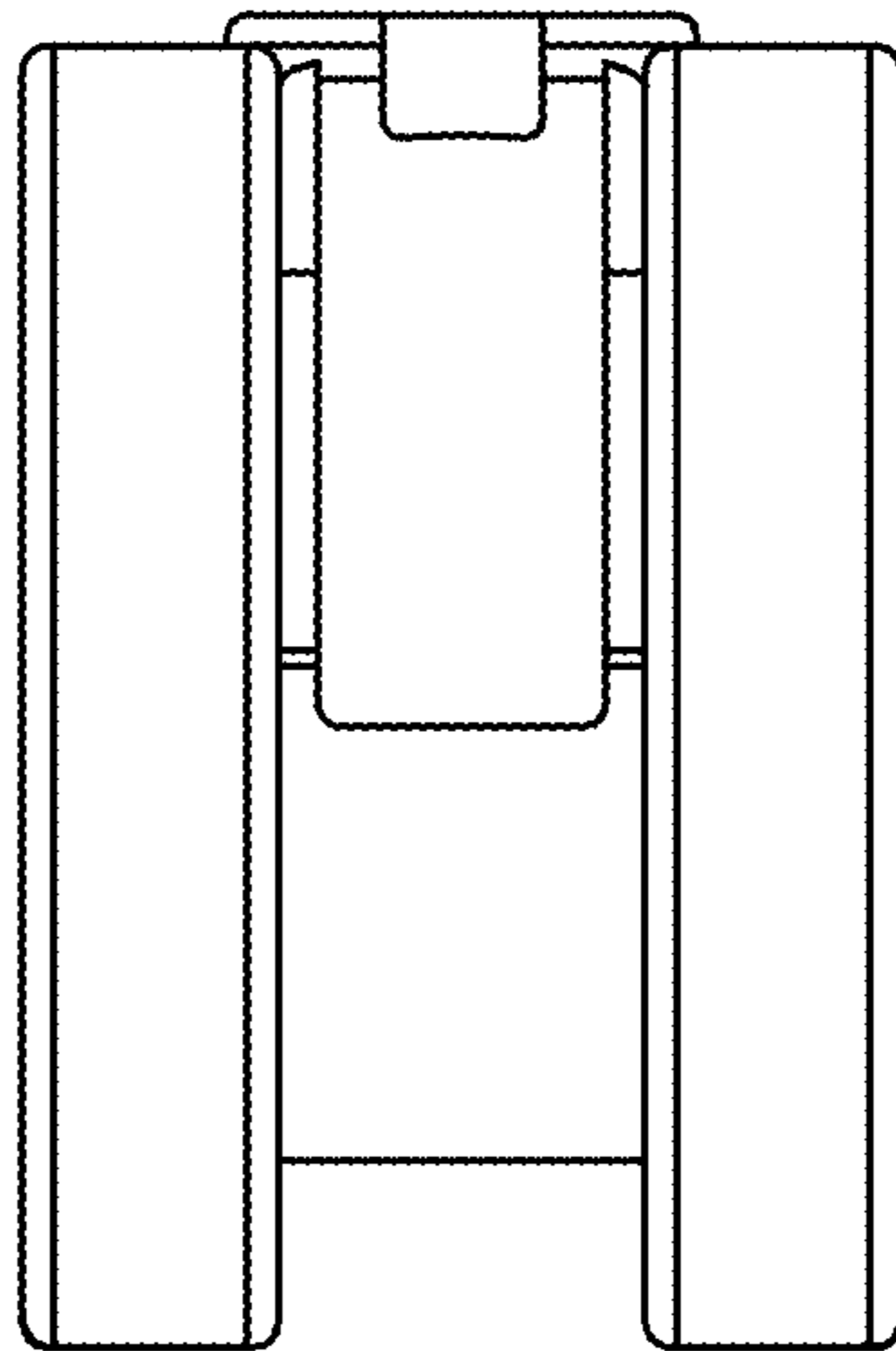


FIG. 5

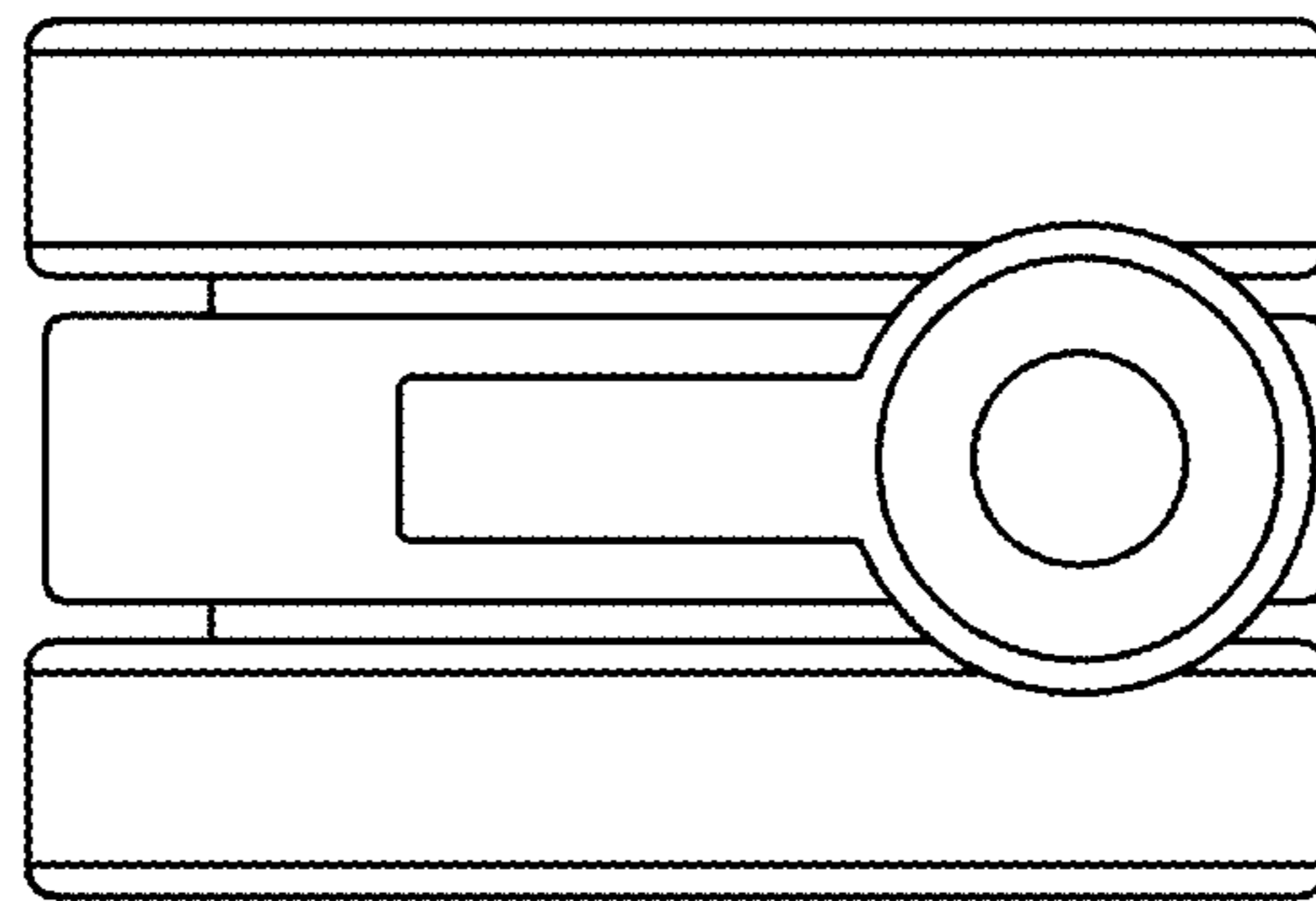


FIG. 6

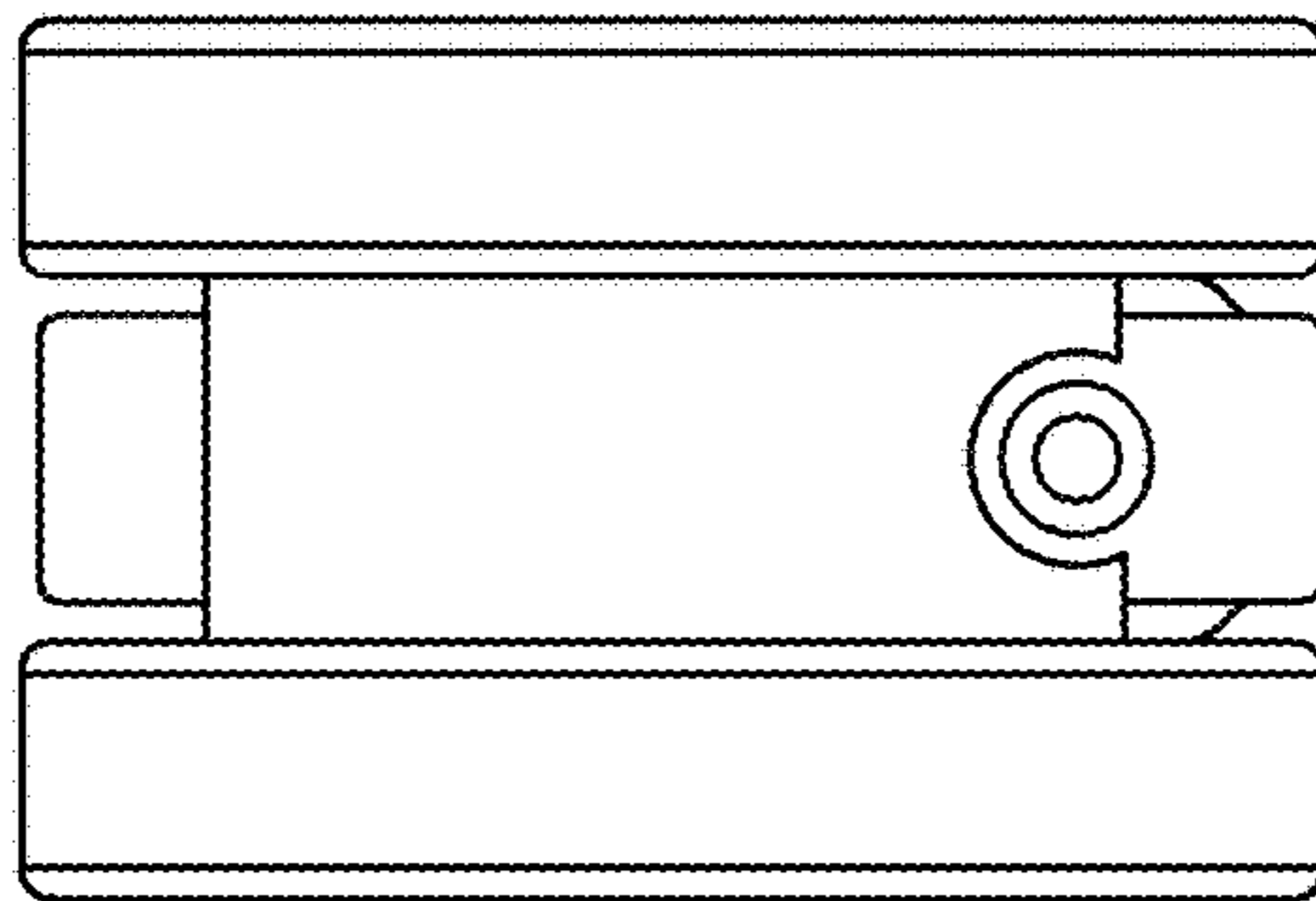


FIG. 7

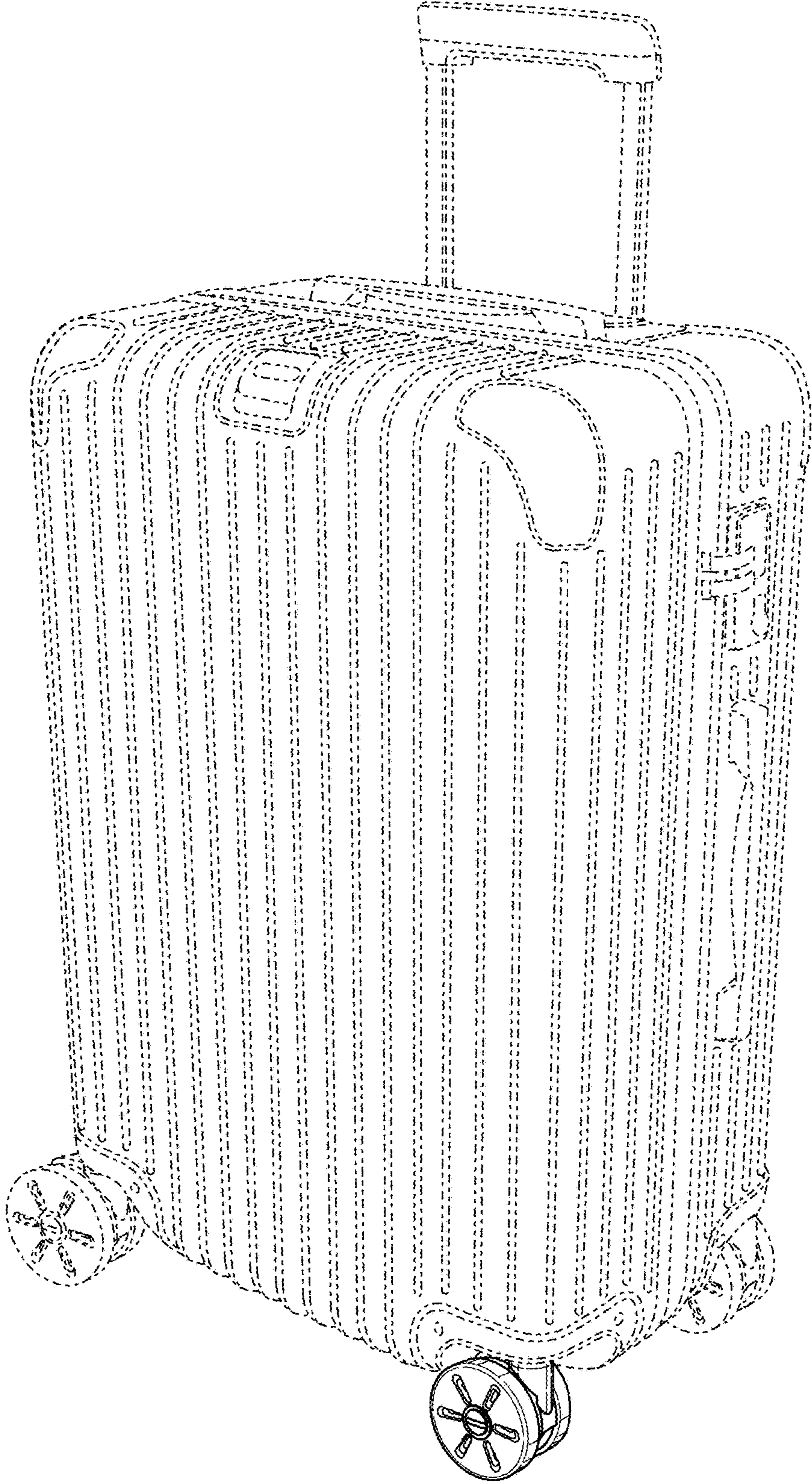


FIG. 8