



US00D802929S

(12) **United States Design Patent** (10) **Patent No.:** **US D802,929 S**
Morszeck (45) **Date of Patent:** **** Nov. 21, 2017**

(54) **BUCKLE**

(71) Applicant: **Rimowa GmbH**, Cologne (DE)

(72) Inventor: **Dieter Morszeck**, Cologne (DE)

(73) Assignee: **Rimowa GmbH**, Cologne (DE)

(**) Term: **15 Years**

(21) Appl. No.: **29/567,627**

(22) Filed: **Jun. 10, 2016**

(30) **Foreign Application Priority Data**

Dec. 29, 2015 (EM) 002928051

(51) **LOC (10) Cl.** **03-01**

(52) **U.S. Cl.**
USPC **D3/318**

(58) **Field of Classification Search**
USPC D3/318; D11/218
CPC A45C 11/18
See application file for complete search history.

(56) **References Cited**

U.S. PATENT DOCUMENTS

D426,952 S * 6/2000 Zebe, Jr. D3/232
D696,017 S * 12/2013 Lagerfeld D3/318

* cited by examiner

Primary Examiner — Holly H Baynham

(74) *Attorney, Agent, or Firm* — BainwoodHuang

(57) **CLAIM**

The ornamental design for buckle, as shown.

DESCRIPTION

FIG. 1 is a perspective front view of a first buckle according to my new design;

FIG. 2 is a front view thereof;

FIG. 3 is a rear view thereof;

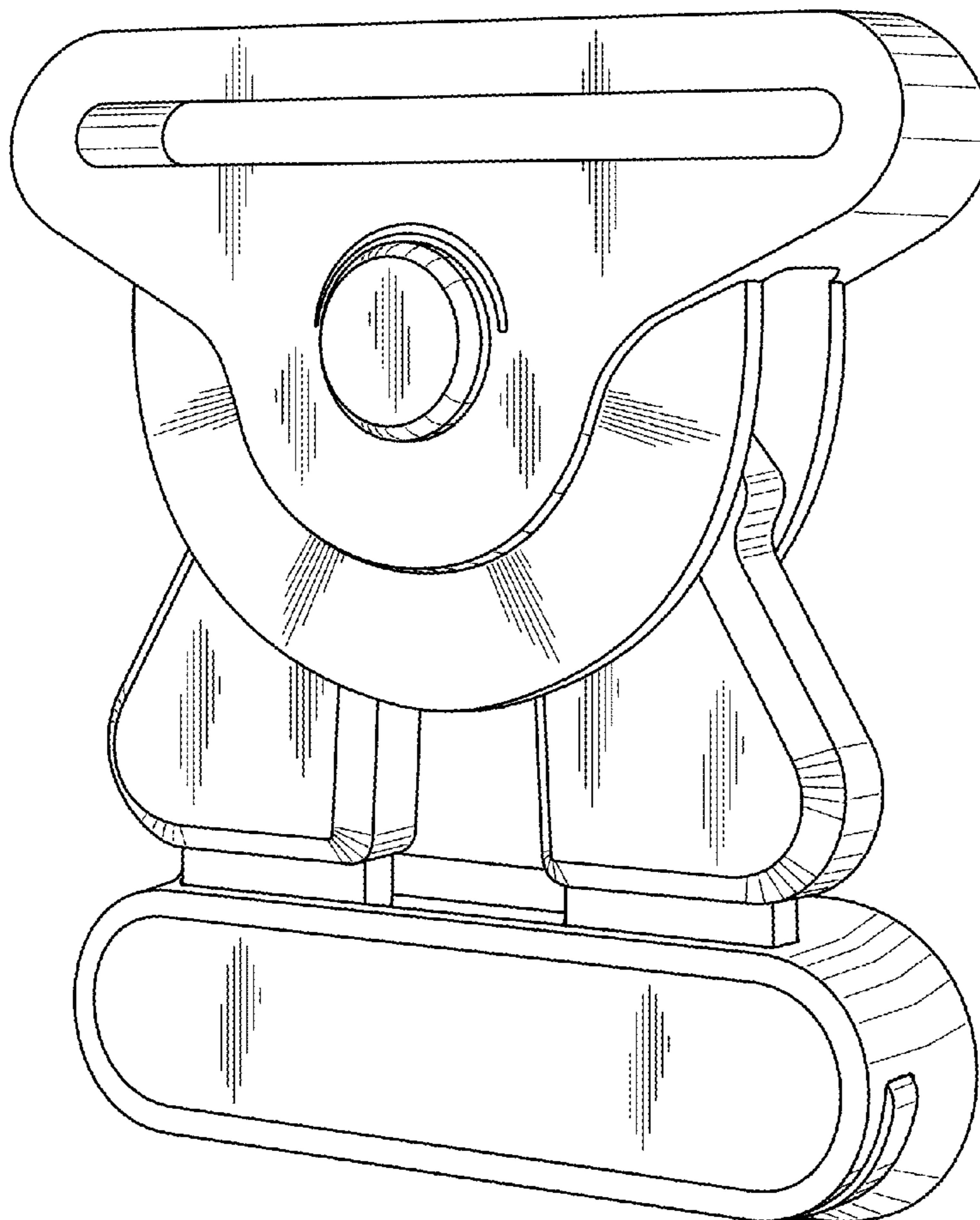
FIG. 4 is a left side view thereof;

FIG. 5 is a right side view thereof;

FIG. 6 is a bottom view thereof; and,

FIG. 7 is a top view thereof.

1 Claim, 7 Drawing Sheets



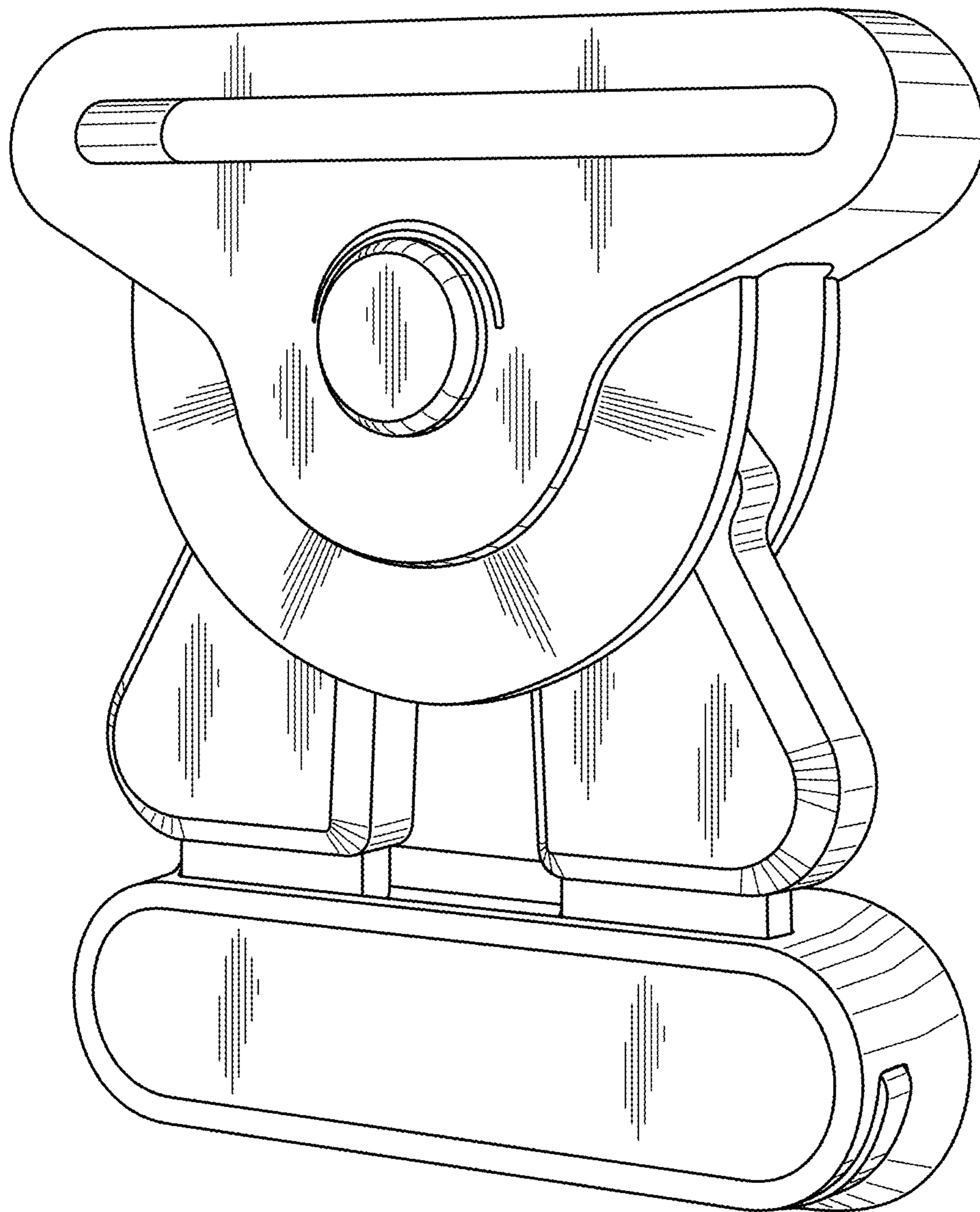


FIG. 1

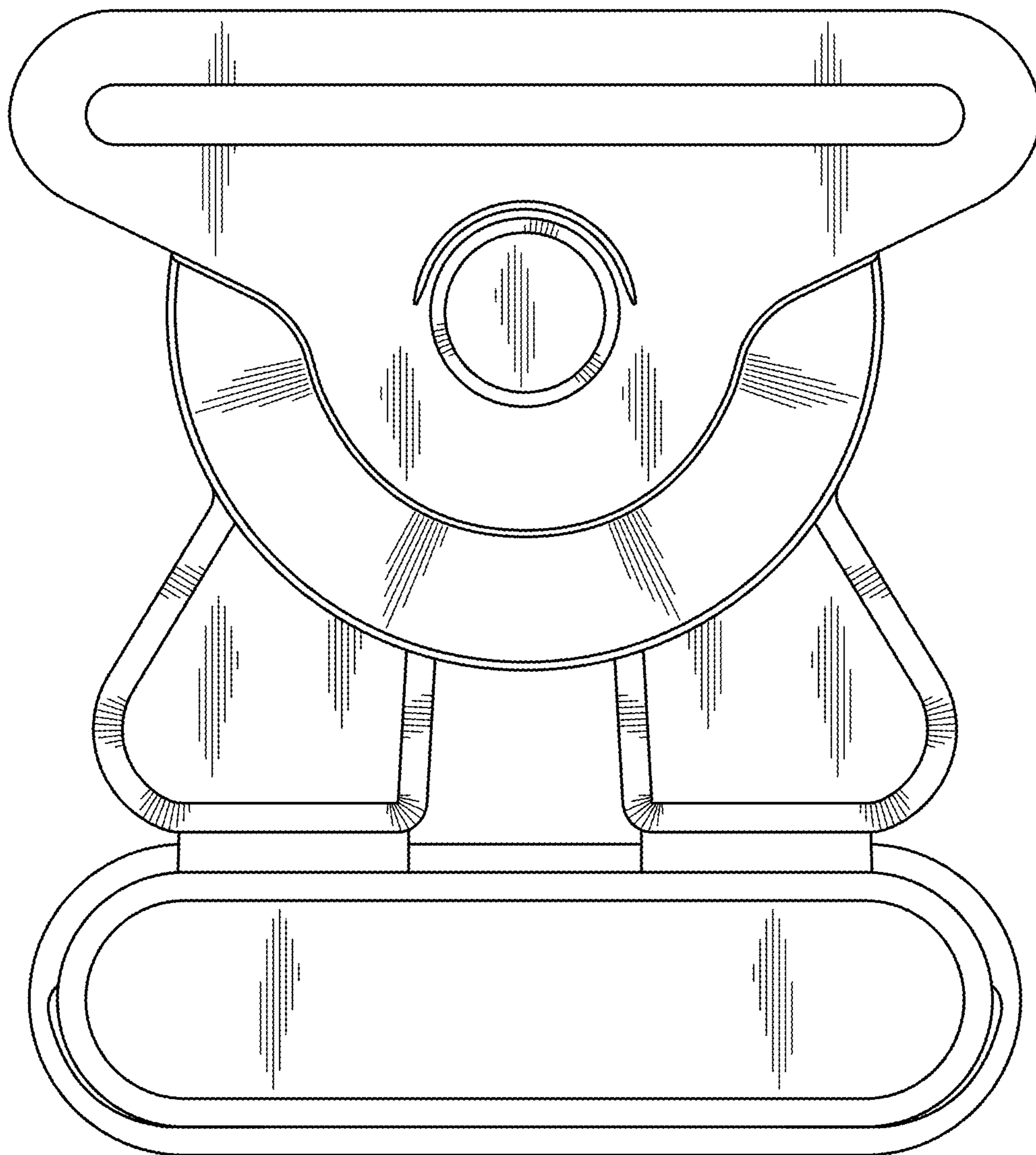


FIG. 2

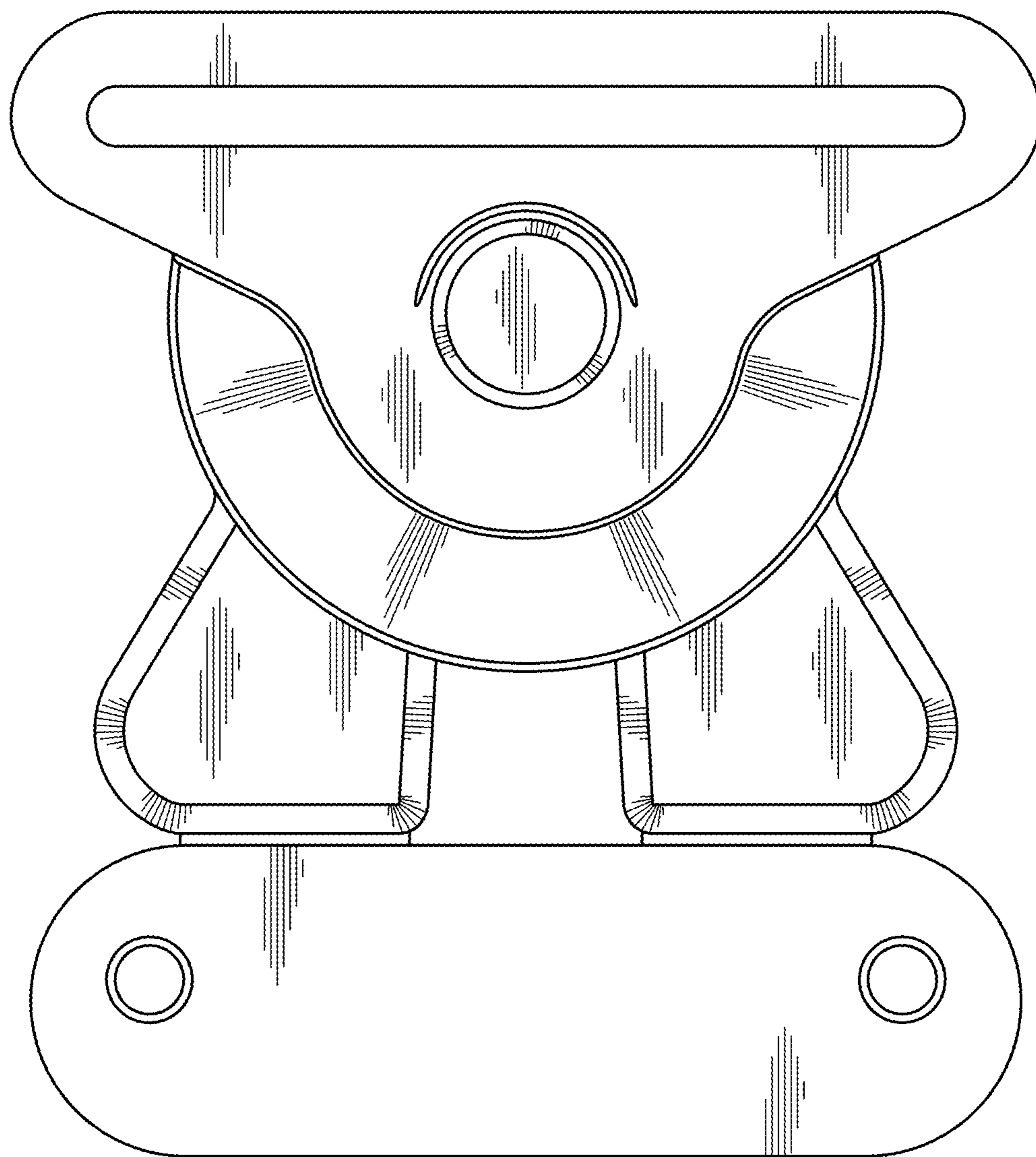


FIG. 3

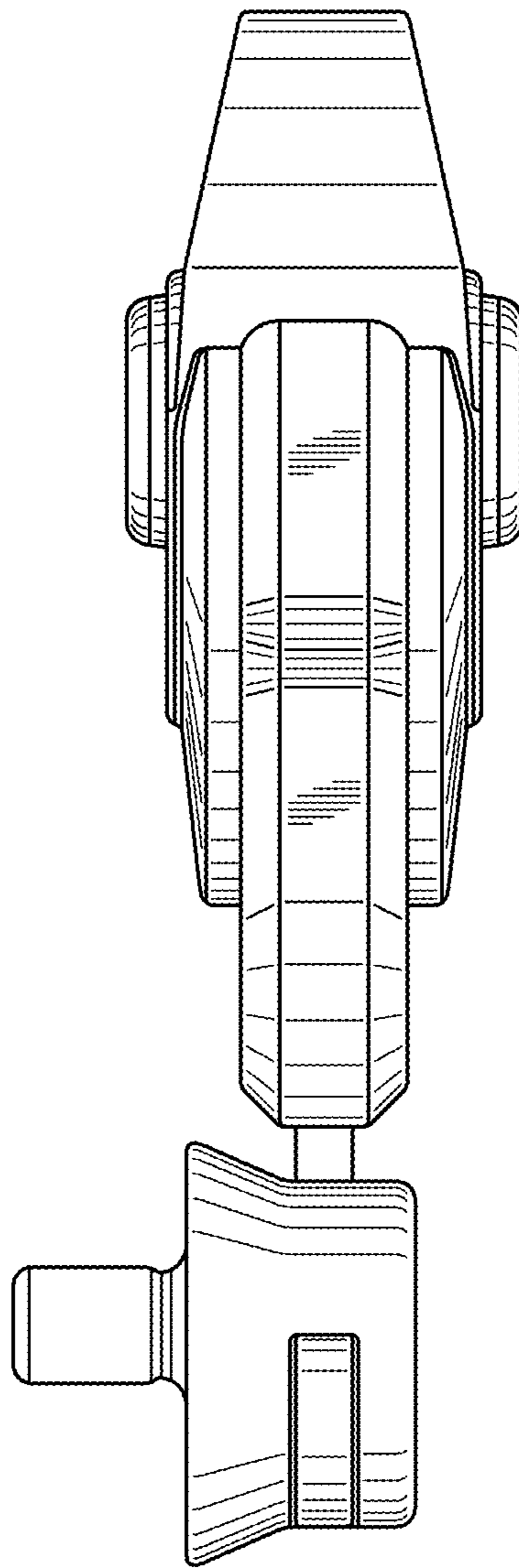


FIG. 4

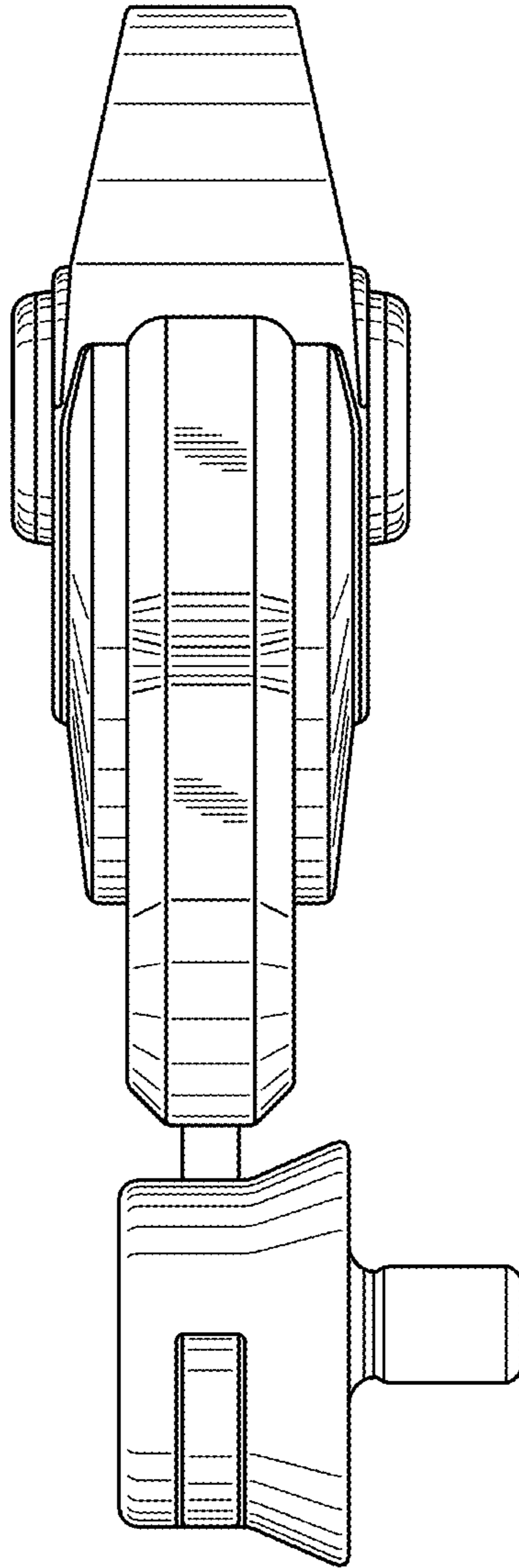


FIG. 5

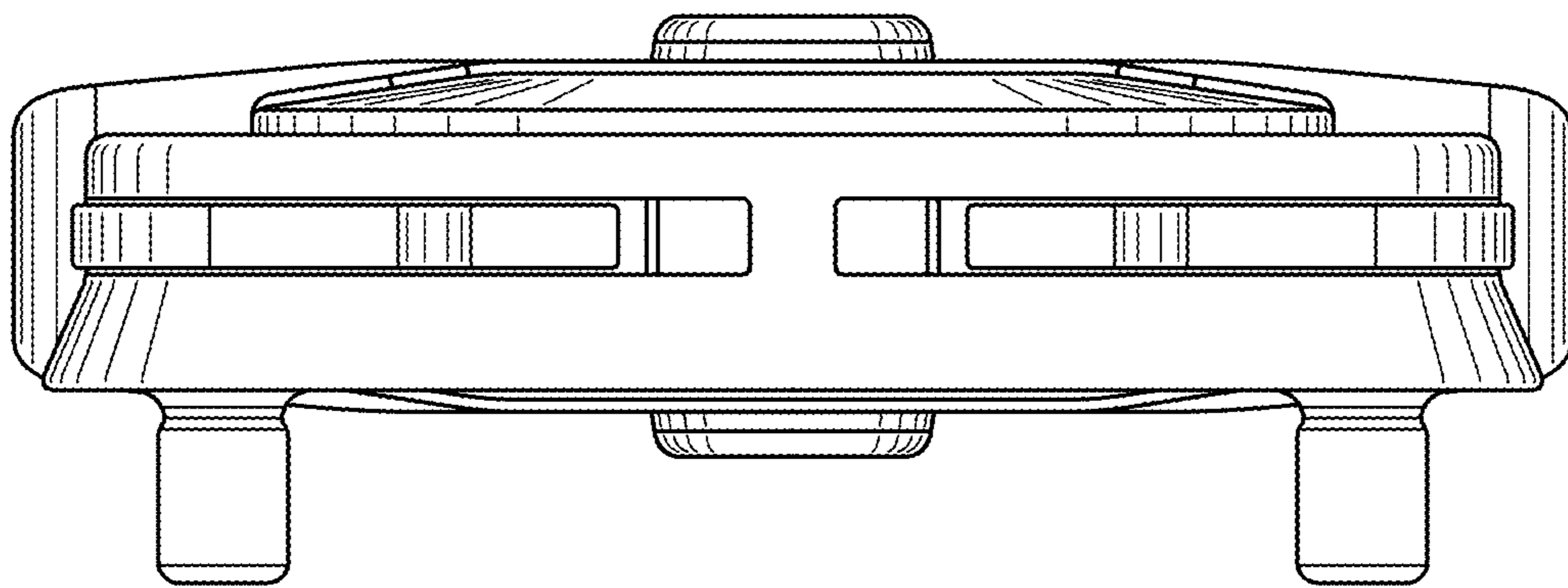


FIG. 6

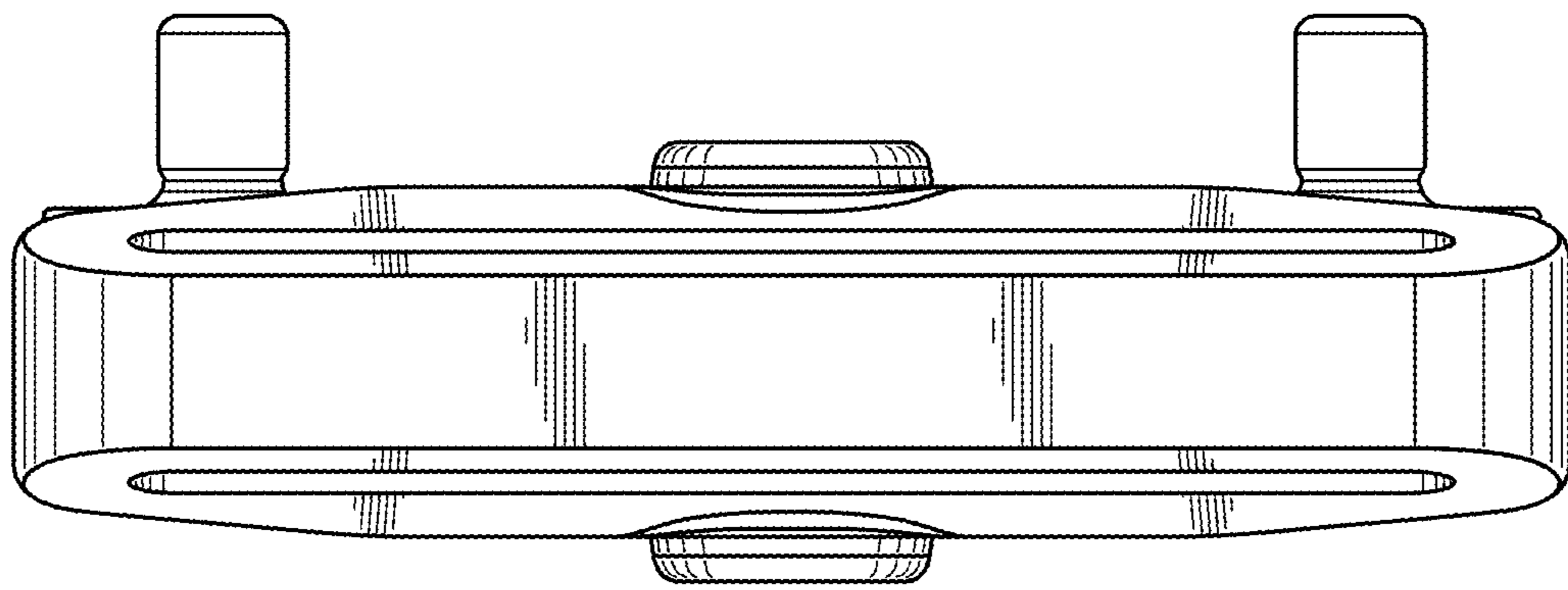


FIG. 7