



US00D802927S

(12) **United States Design Patent** (10) **Patent No.:** **US D802,927 S**
Thoma et al. (45) **Date of Patent:** **** Nov. 21, 2017**

(54) **PLASTIC BASKET** D416,683 S * 11/1999 Lacy D3/306
 D426,956 S 6/2000 Lacy
 D458,753 S * 6/2002 Overholt D3/304
 D466,301 S * 12/2002 Sofy D3/307
 D467,696 S 12/2002 Rashid
 D470,639 S 2/2003 Quan
 D471,015 S 3/2003 Lacy
 D480,193 S 9/2003 Wang
 D503,021 S 3/2005 Yang
 D504,017 S * 4/2005 Zimmerman D3/309
 D544,671 S 6/2007 Saunders
 D552,321 S 10/2007 Yang
 D564,723 S 3/2008 Yang
 D628,801 S * 12/2010 Talbot Pouliot D3/304
 D631,222 S * 1/2011 Gimeno B62B 1/006
 D34/24
 D643,584 S * 8/2011 Duvigneau D32/37
 D643,585 S 8/2011 Duvigneau
 D659,399 S * 5/2012 Kraemer D3/304
 D672,112 S * 12/2012 Bizzarri D34/24
 D673,367 S * 1/2013 Duvigneau D3/304

(71) Applicant: **Rotho Kunststoff AG**, Würenlingen (CH)

(72) Inventors: **Christian Thoma**, Albrück (DE);
Markus Brunner, Hilfikon (CH);
Bruno Meier, Untersiggenthal (CH)

(73) Assignee: **Rotho Kunststoff AG**, Würenlingen (CH)

(**) Term: **15 Years**

(21) Appl. No.: **29/564,373**

(22) Filed: **May 12, 2016**

Related U.S. Application Data

(62) Division of application No. 29/531,530, filed on Jun. 26, 2015, now Pat. No. Des. 787,828.

(51) **LOC (10) Cl.** **03-01**

(52) **U.S. Cl.**
USPC **D3/307**

(58) **Field of Classification Search**
USPC D3/304-315; D6/511, 424-425; D32/37
CPC ... B65D 43/162; B65D 81/02; B65D 81/3813
See application file for complete search history.

References Cited

U.S. PATENT DOCUMENTS

512,404 A	1/1894	Springer et al.
1,173,746 A	2/1916	Sargent
D271,247 S	11/1983	Lee
D305,274 S	12/1989	Yoshikawa
D326,552 S	5/1992	Goodell
D347,098 S	5/1994	Hummel
D400,711 S	11/1998	Hwang
D404,571 S	1/1999	Evans

Primary Examiner — Kelley Donnelly
(74) *Attorney, Agent, or Firm* — Volpe and Koenig, P.C.

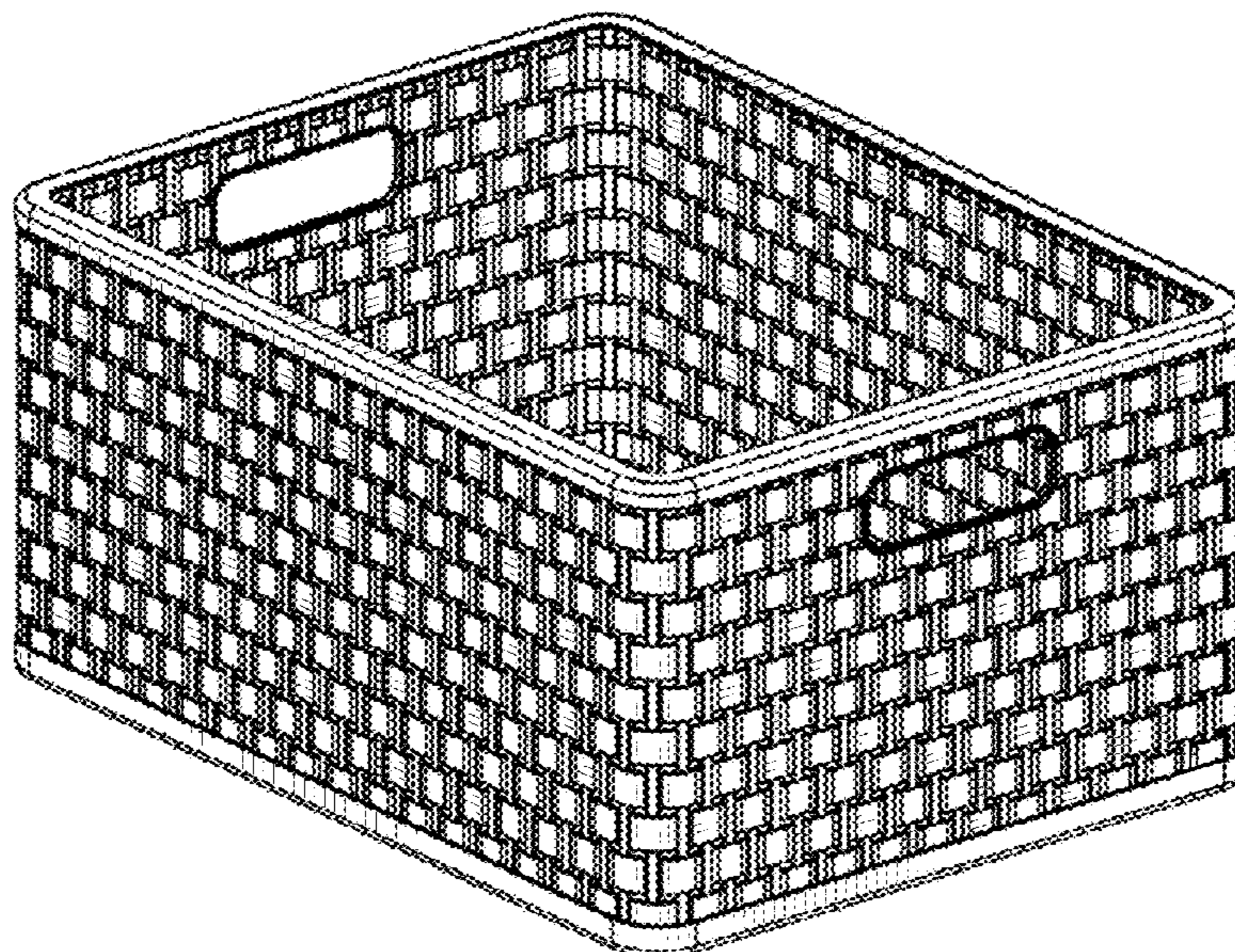
(57) **CLAIM**

We claim the ornamental design for a plastic basket, as shown and described.

DESCRIPTION

FIG. 1 is a front, top, right perspective view of a plastic basket according to our design;
FIG. 2 is a front elevational view thereof;
FIG. 3 is a rear elevational view thereof;
FIG. 4 is a right side elevational view thereof;
FIG. 5 is a left side elevational view thereof;
FIG. 6 is a top plan view thereof; and,
FIG. 7 is a bottom view thereof.
The broken lines represent unclaimed portions of the plastic basket and do not form part of the claimed design.

1 Claim, 6 Drawing Sheets



(56)

References Cited

U.S. PATENT DOCUMENTS

D683,963	S	6/2013	Tsai	
D706,508	S	6/2014	Duvigneau	
D709,662	S	7/2014	Yang	
D728,939	S	5/2015	Suomela	
D730,008	S	5/2015	Yang	
D734,912	S	7/2015	Ho	
D735,602	S	8/2015	Anderson	
D736,489	S	8/2015	Wall	
D738,624	S	9/2015	Kolste	
D746,593	S *	1/2016	Kroll	D3/307
D752,345	S *	3/2016	Szucs	D3/305
D752,864	S	4/2016	Levie	
D753,393	S	4/2016	Haas	
D753,918	S	4/2016	Lindsay	
D756,167	S *	5/2016	Dudek	D7/584
D773,770	S *	12/2016	Olmos	D34/17
2008/0237234	A1	10/2008	Yang	
2011/0220655	A1	9/2011	Yang	
2013/0098913	A1	4/2013	Yang	
2015/0321688	A1 *	11/2015	Morcillo Barjola	B62B 3/165 280/33.998

* cited by examiner

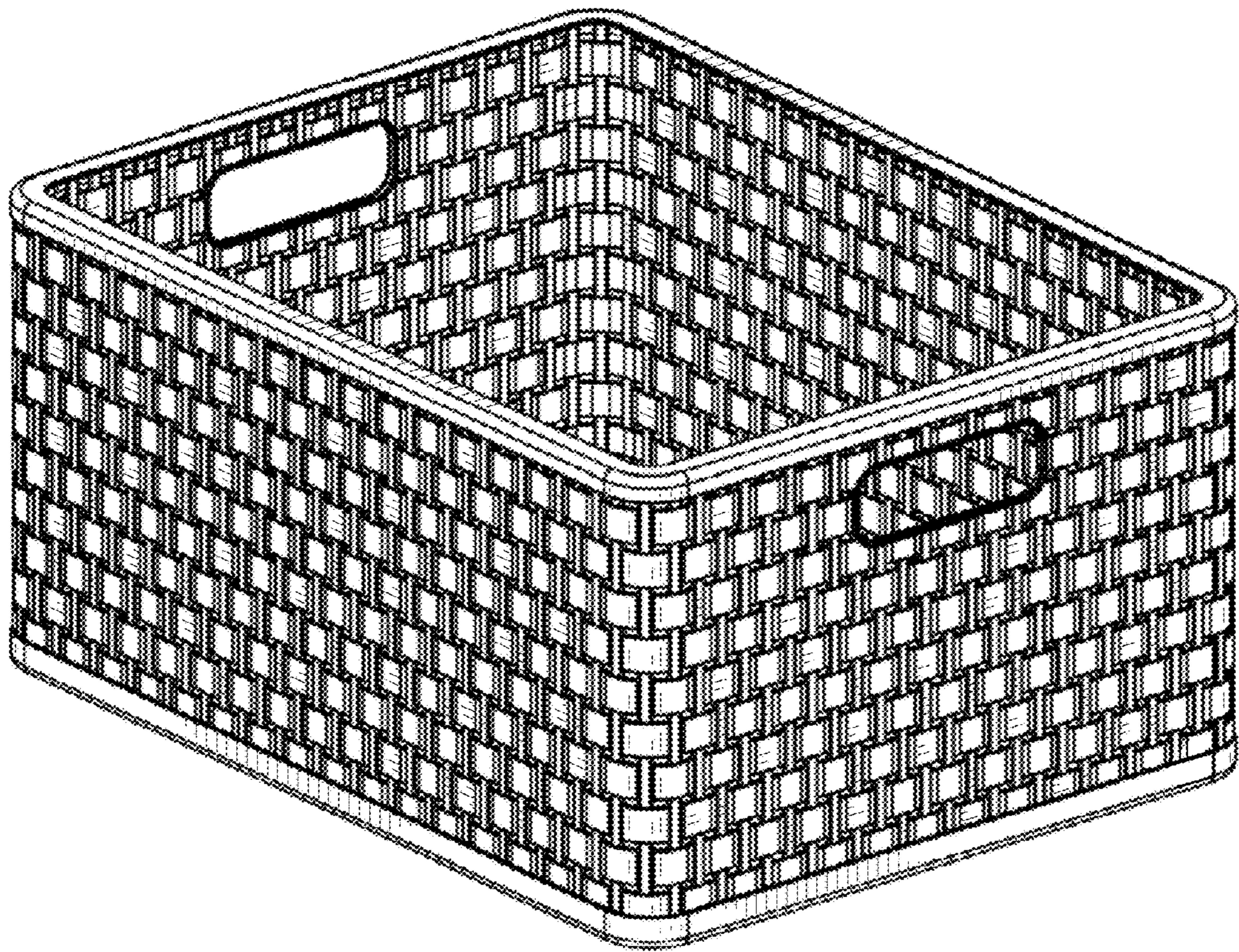


FIG. 1

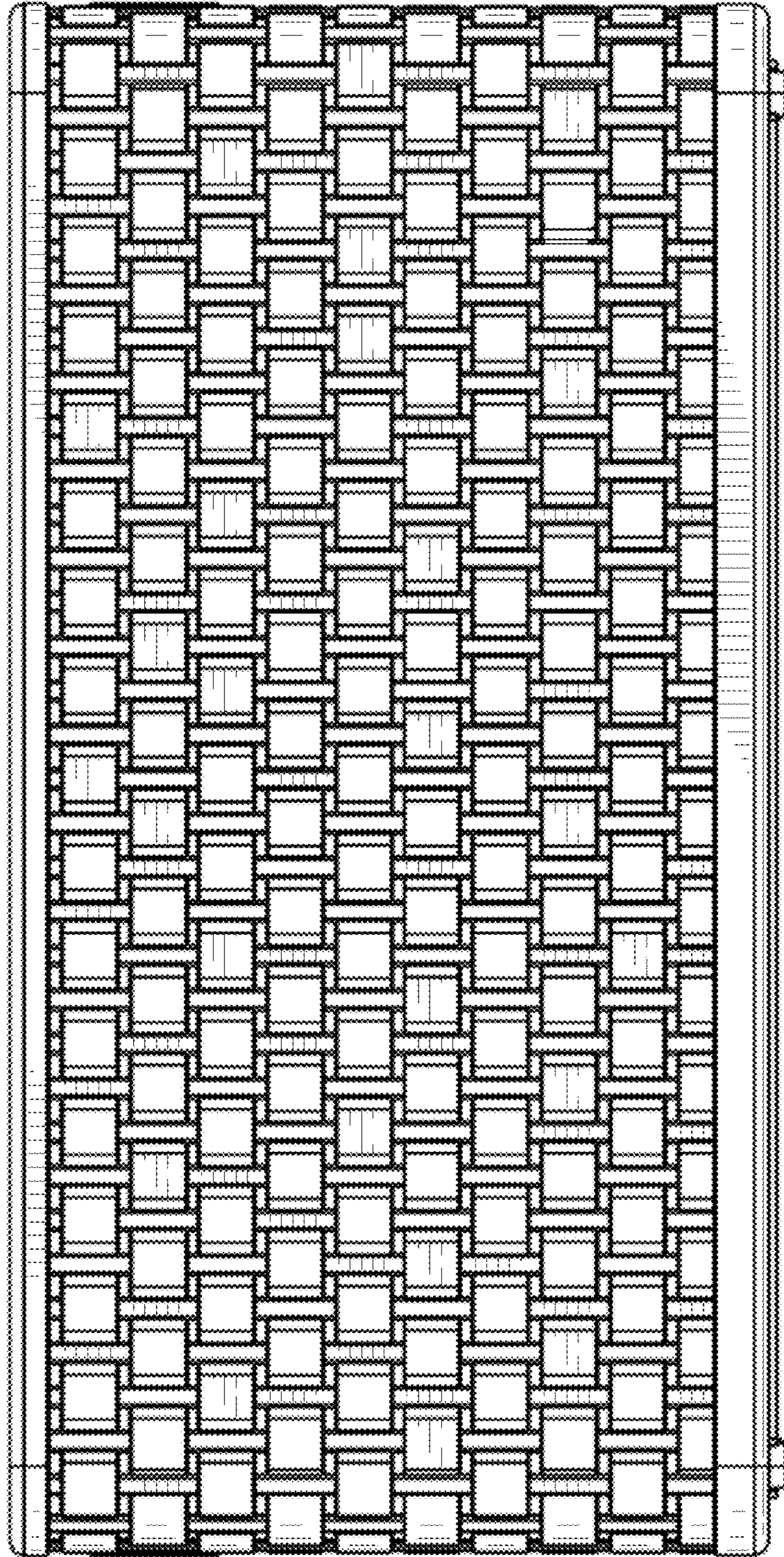


FIG. 2

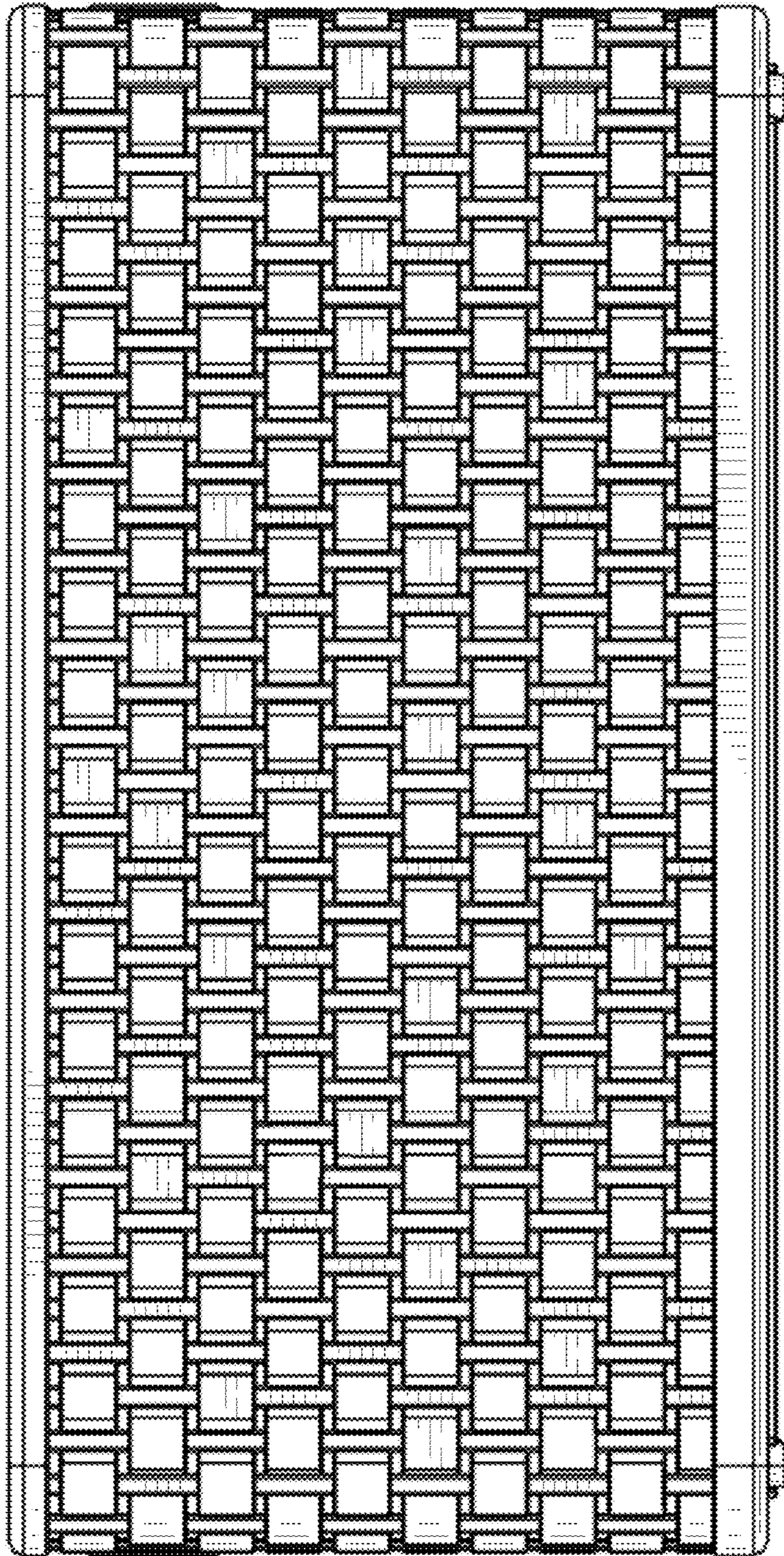


FIG. 3

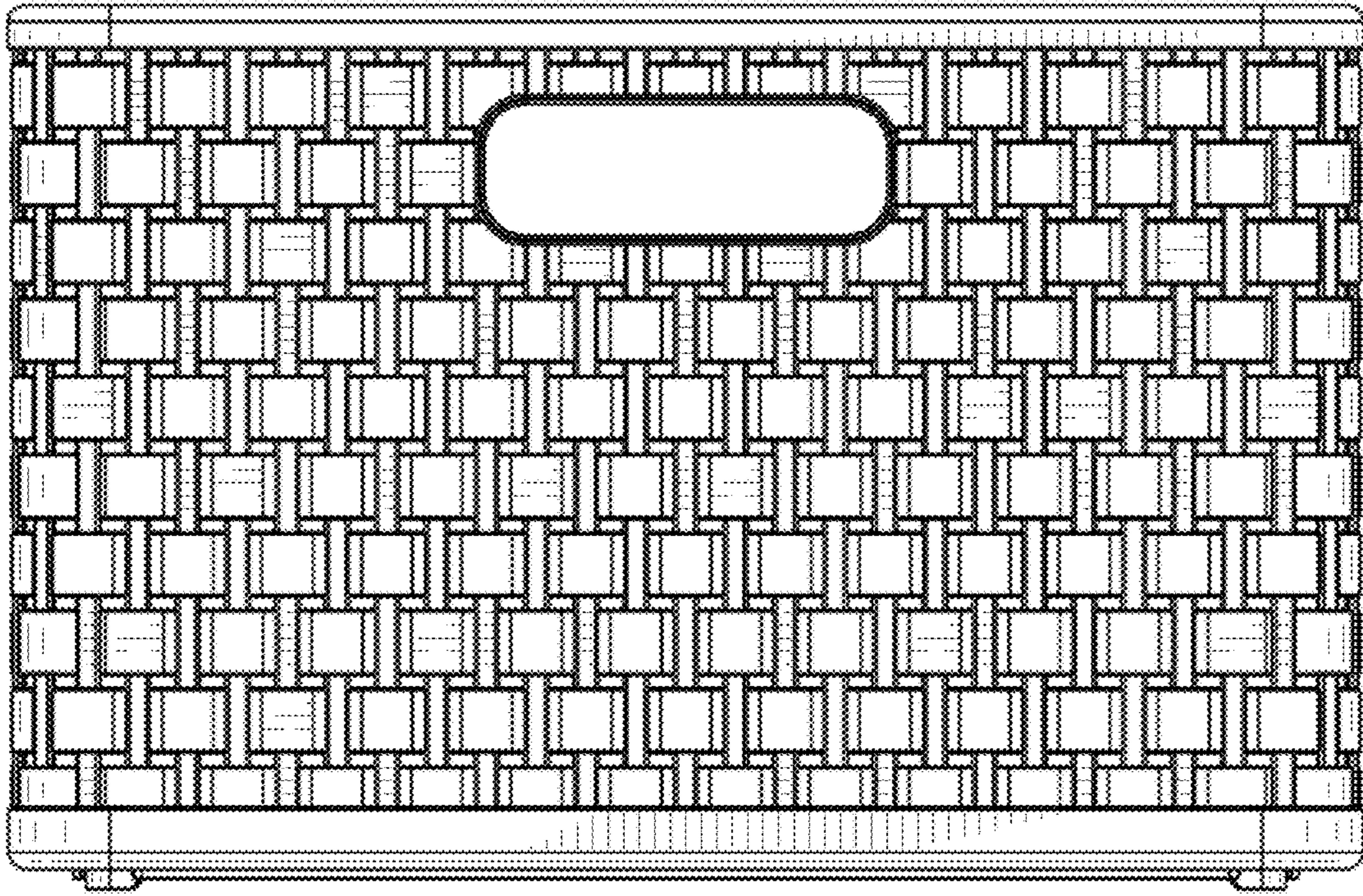


FIG. 4

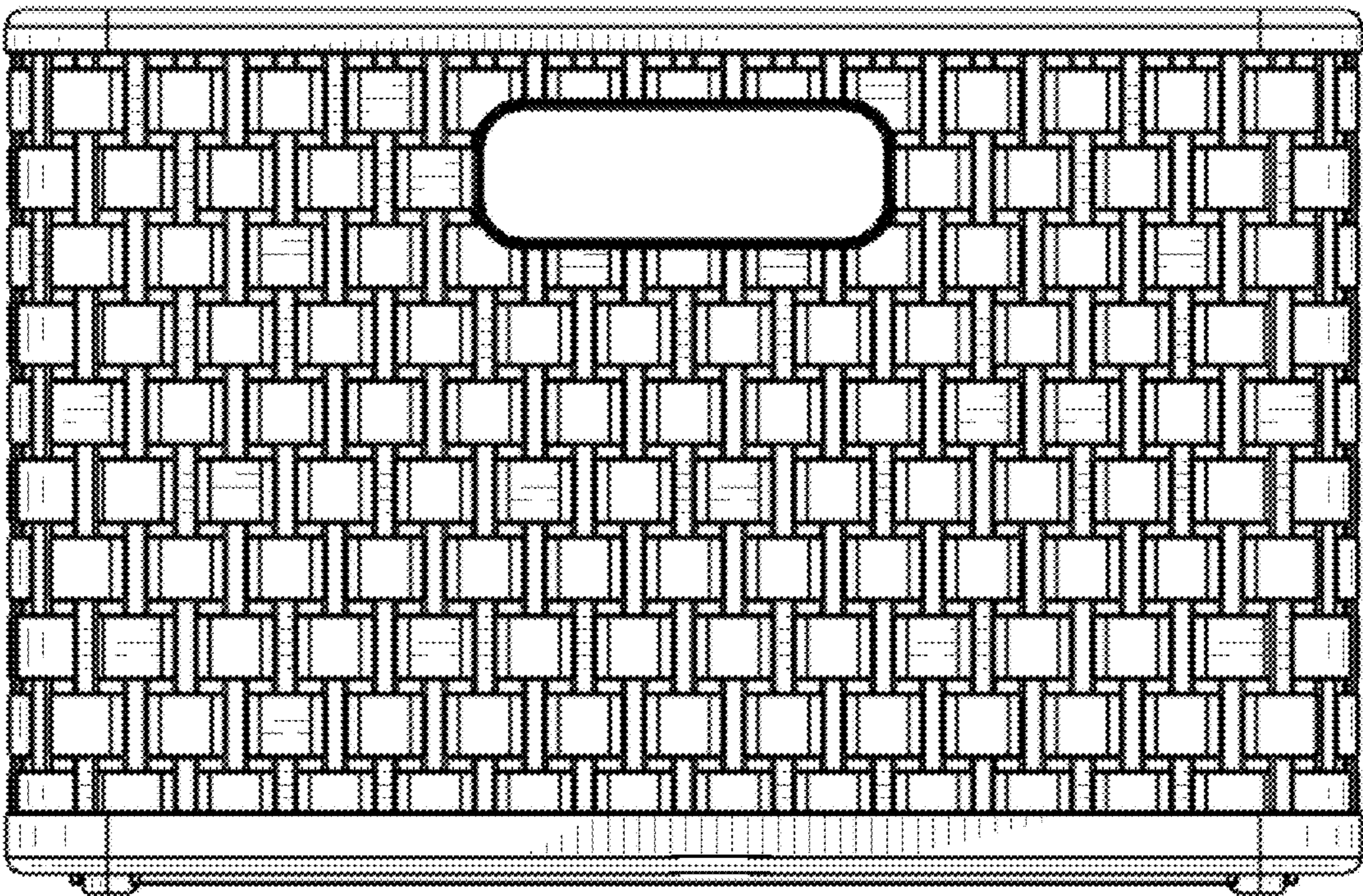


FIG. 5

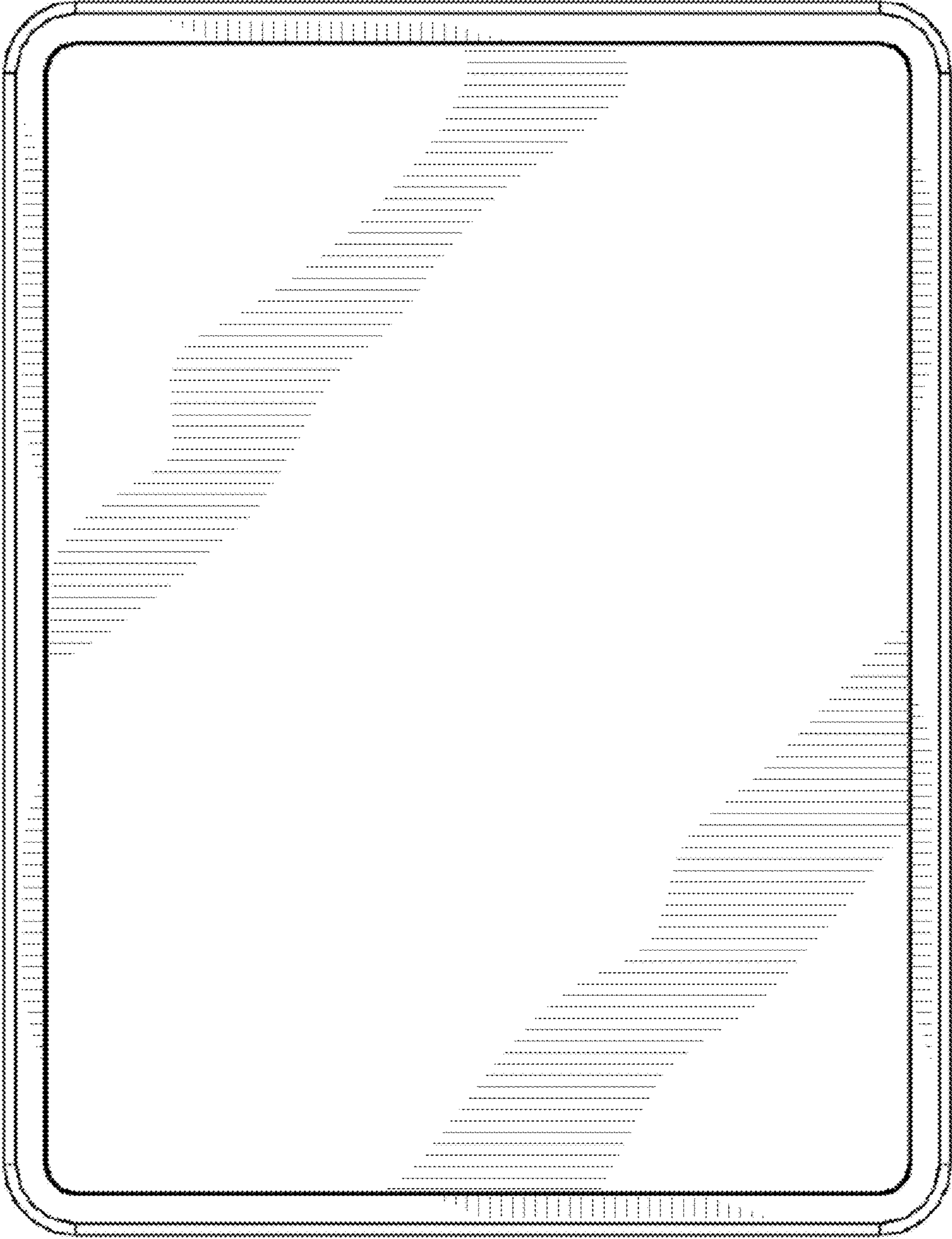


FIG. 6

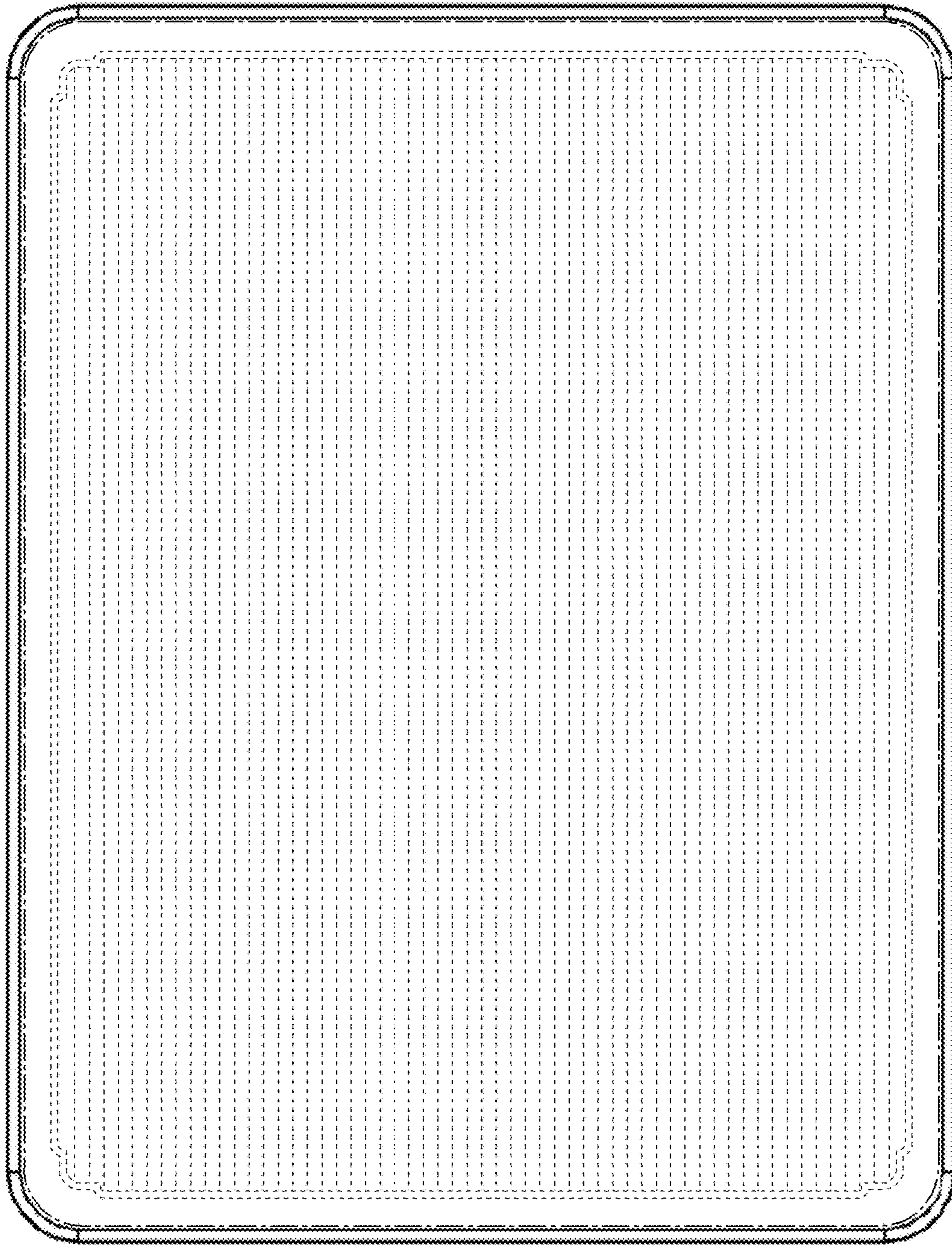


FIG. 7