



US00D802924S

(12) **United States Design Patent**
Mahanavanont

(10) **Patent No.:** **US D802,924 S**

(45) **Date of Patent:** **** Nov. 21, 2017**

(54) **SUITCASE**

(71) Applicant: **THOMAS MENDOZA INTERNATIONAL CO., LTD.**, Hong Kong (CN)

(72) Inventor: **Thavisak Mahanavanont**, Hong Kong (CN)

(73) Assignee: **THOMAS MENDOZA INTERNATIONAL CO., LTD.**, Kwai Chung, N.T. (HK)

(**) Term: **15 Years**

(21) Appl. No.: **29/578,633**

(22) Filed: **Sep. 22, 2016**

(51) **LOC (10) Cl.** **03-01**

(52) **U.S. Cl.**
USPC **D3/279; D3/281**

(58) **Field of Classification Search**
USPC D3/269, 272, 273, 274, 276, 279, 281, D3/282, 283, 288, 290, 294, 298, 299, D3/905, 217; D34/12, 14, 17, 19, 20, 18, D34/23, 24, 25, 27

CPC .. B62B 1/00; B65B 3/00; B25H 3/003; B25H 3/00; B25H 3/02; A45C 7/00; A45C 5/00; A45C 5/005; A45C 2005/037; A45C 5/04; A45C 5/14; A45C 2007/0004; A45C 7/0018; A45C 2009/002

See application file for complete search history.

(56) **References Cited**

U.S. PATENT DOCUMENTS

D234,273 S * 2/1975 Wilson D3/272
D294,080 S * 2/1988 Golia D15/66

D328,188 S * 7/1992 Jacobsen D3/270
D402,462 S * 12/1998 Sanderson D3/276
D416,384 S * 11/1999 Bell D3/272
D471,710 S * 3/2003 Rushworth D3/276
D607,207 S * 1/2010 Horiyama D3/279
D690,510 S * 10/2013 Fux B62B 1/18
D3/270
D793,086 S * 8/2017 Mahanavanont D3/279
2003/0079949 A1 * 5/2003 Harvey A45C 5/04
190/18 A
2005/0199459 A1 * 9/2005 Harvey A45C 5/14
190/108
2008/0308568 A1 * 12/2008 Grenier A45C 13/1084
220/810
2009/0078593 A1 * 3/2009 Patstone A45C 9/00
206/216

* cited by examiner

Primary Examiner — Jennifer Rivard

Assistant Examiner — April Rivas

(74) *Attorney, Agent, or Firm* — Leong C. Lei

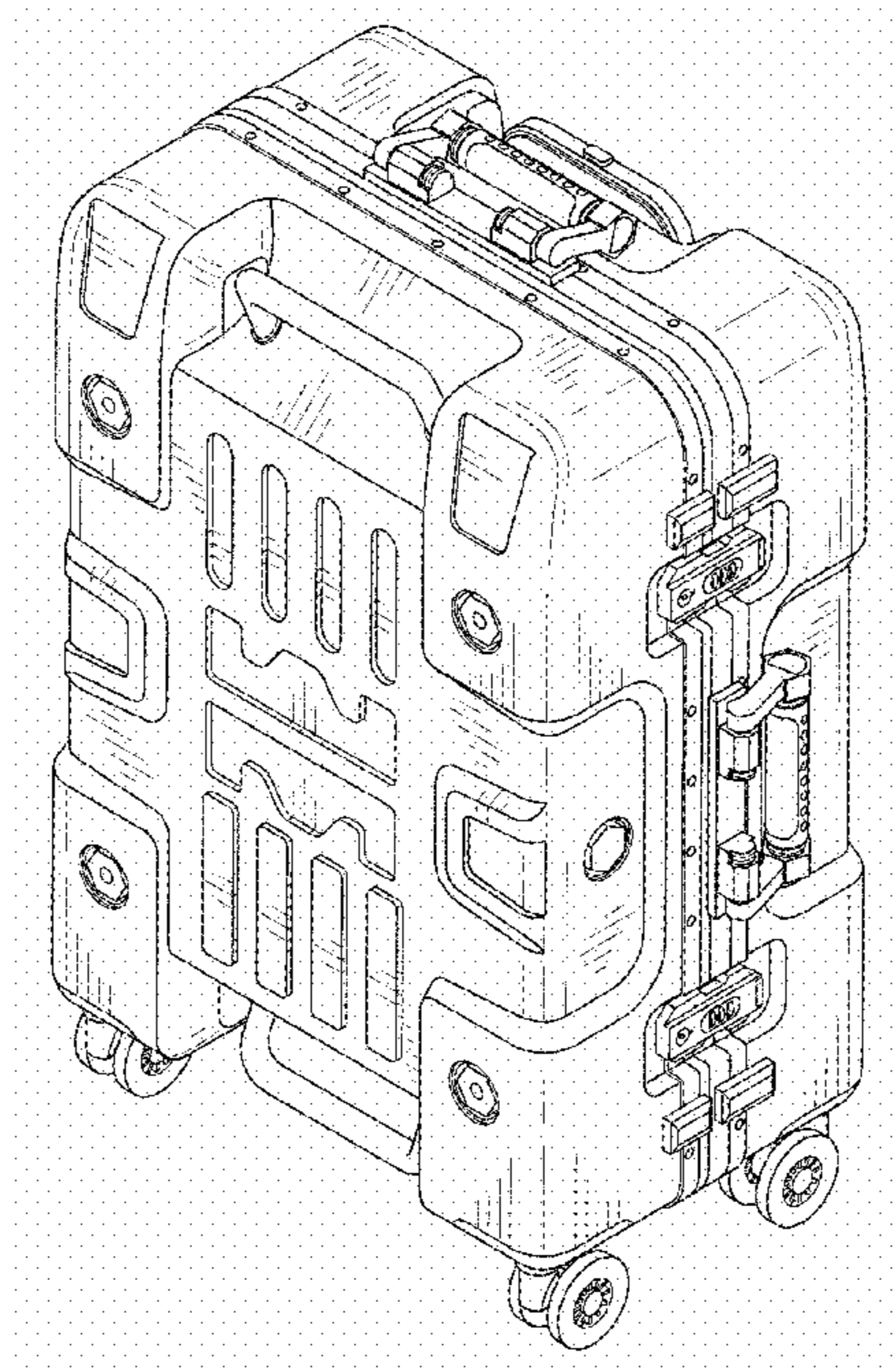
(57) **CLAIM**

The ornamental design for a suitcase, as shown and described.

DESCRIPTION

FIG. 1 is a front perspective view of a suitcase showing my new design;
FIG. 2 is a front elevational view thereof;
FIG. 3 is a rear elevational view thereof;
FIG. 4 is a left elevational view thereof;
FIG. 5 is a right elevational view thereof;
FIG. 6 is a top plan view thereof; and,
FIG. 7 is a bottom plan view thereof.

1 Claim, 5 Drawing Sheets



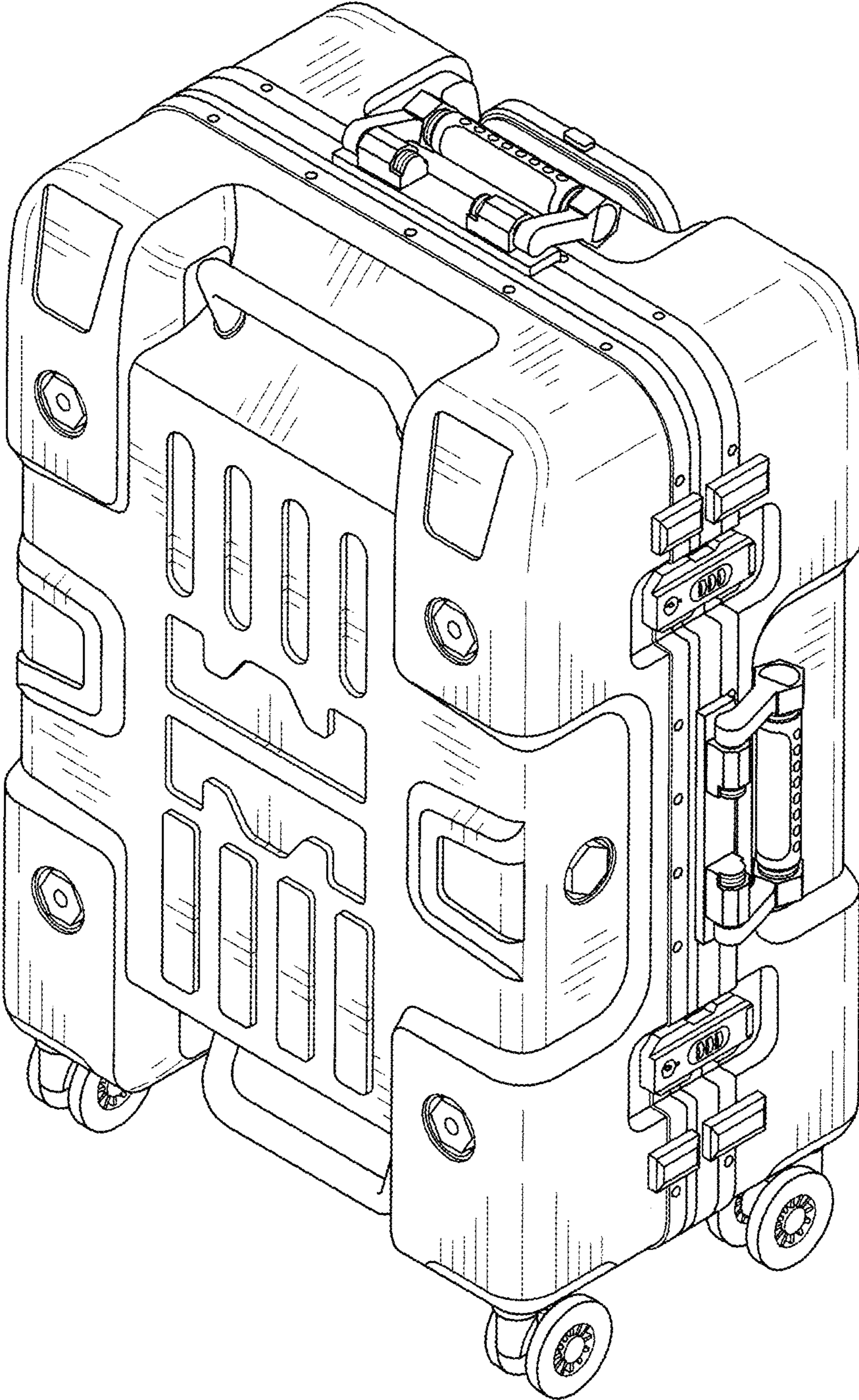


FIG. 1

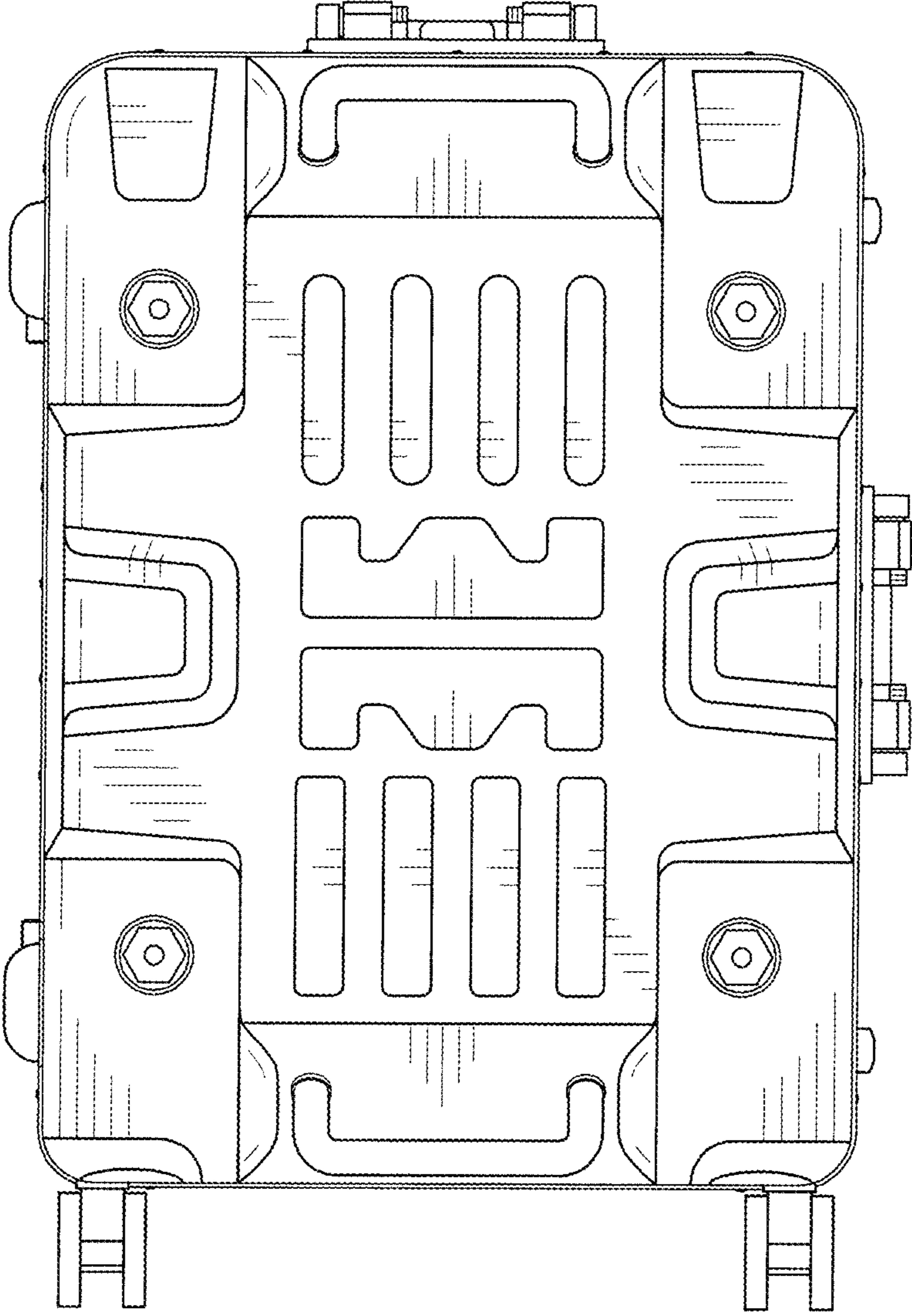


FIG. 2

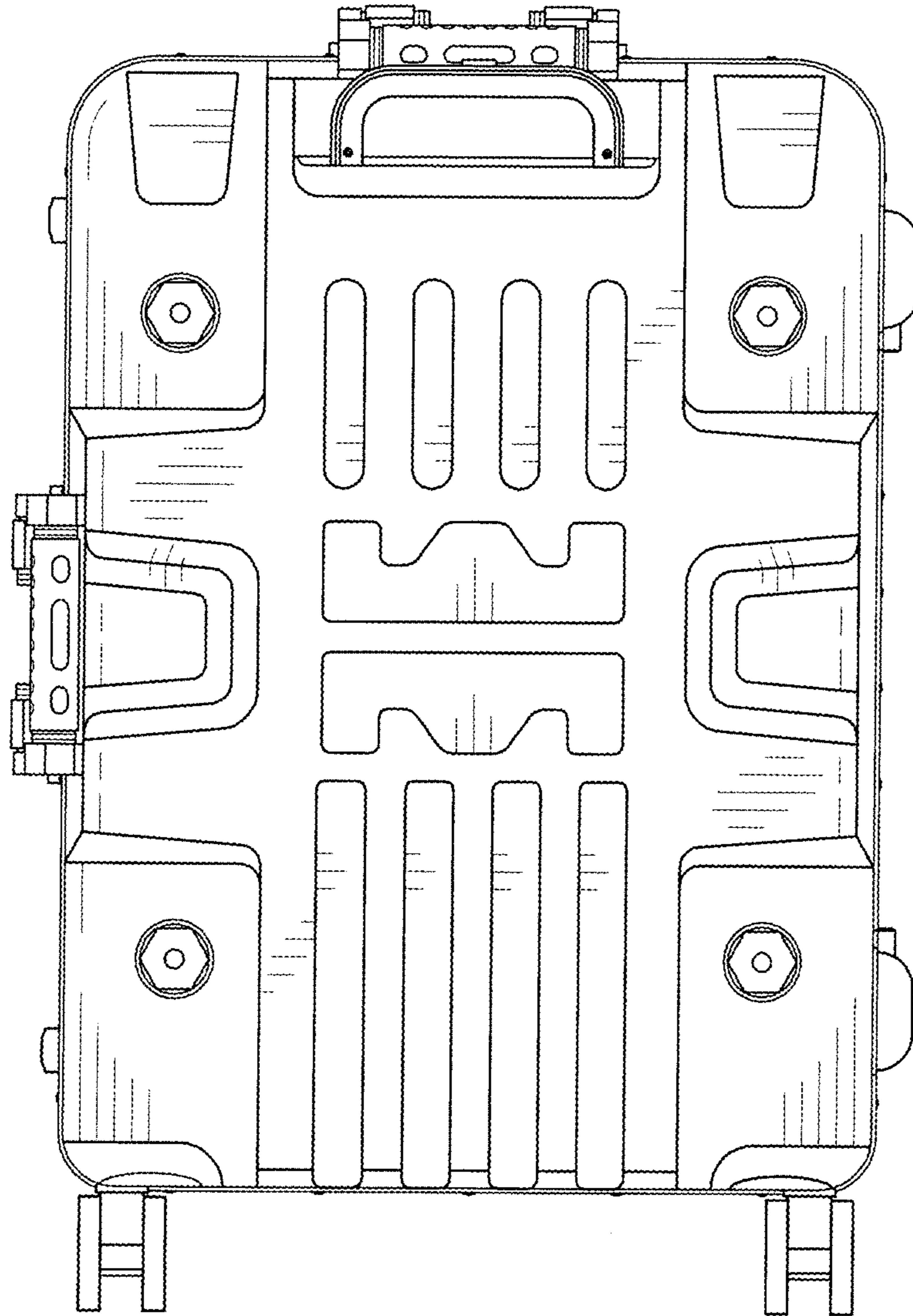


FIG. 3

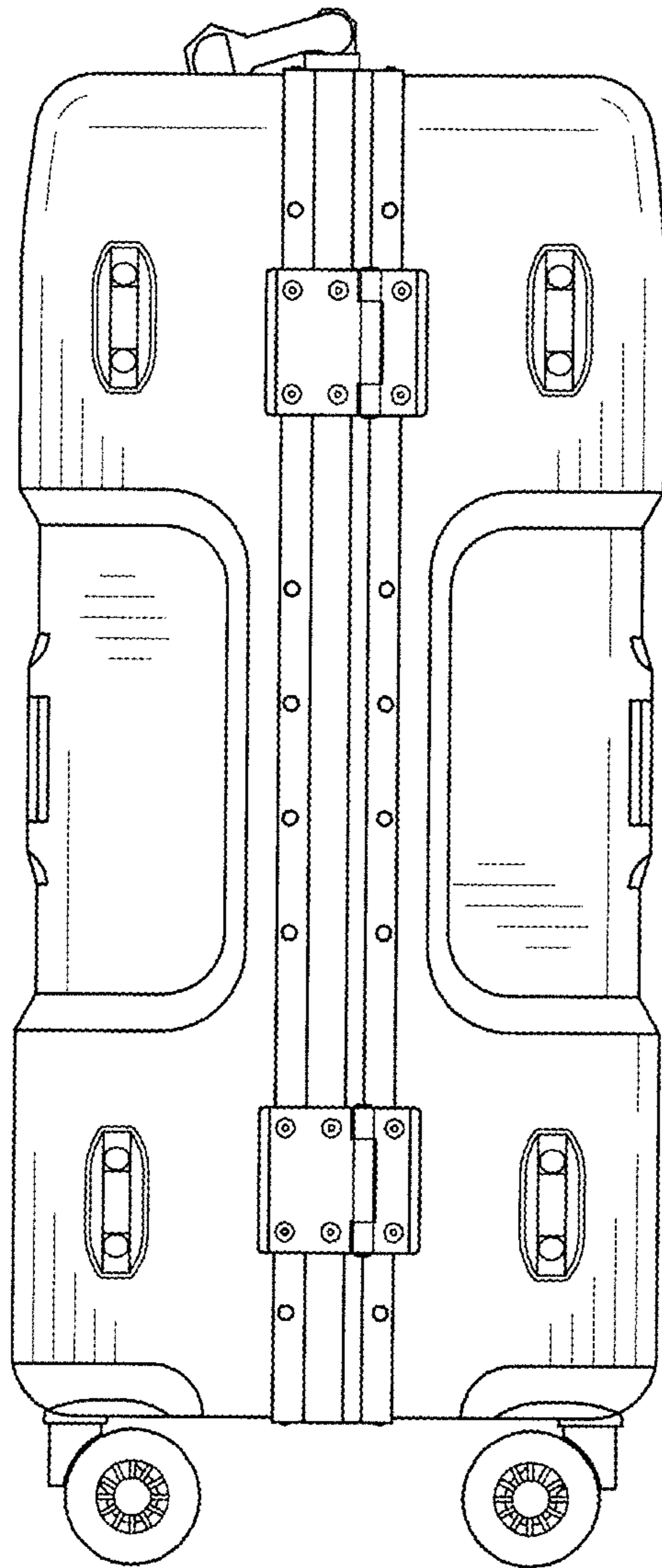


FIG. 4

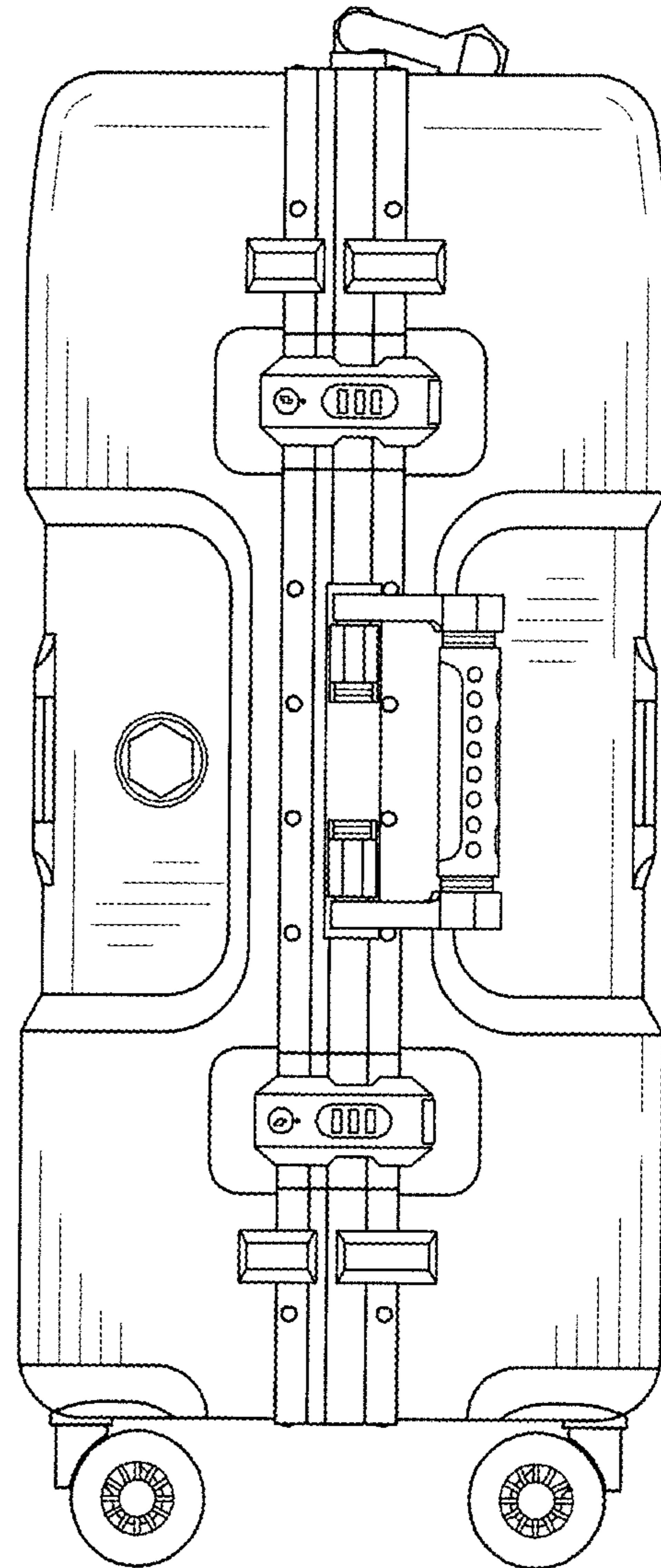


FIG. 5

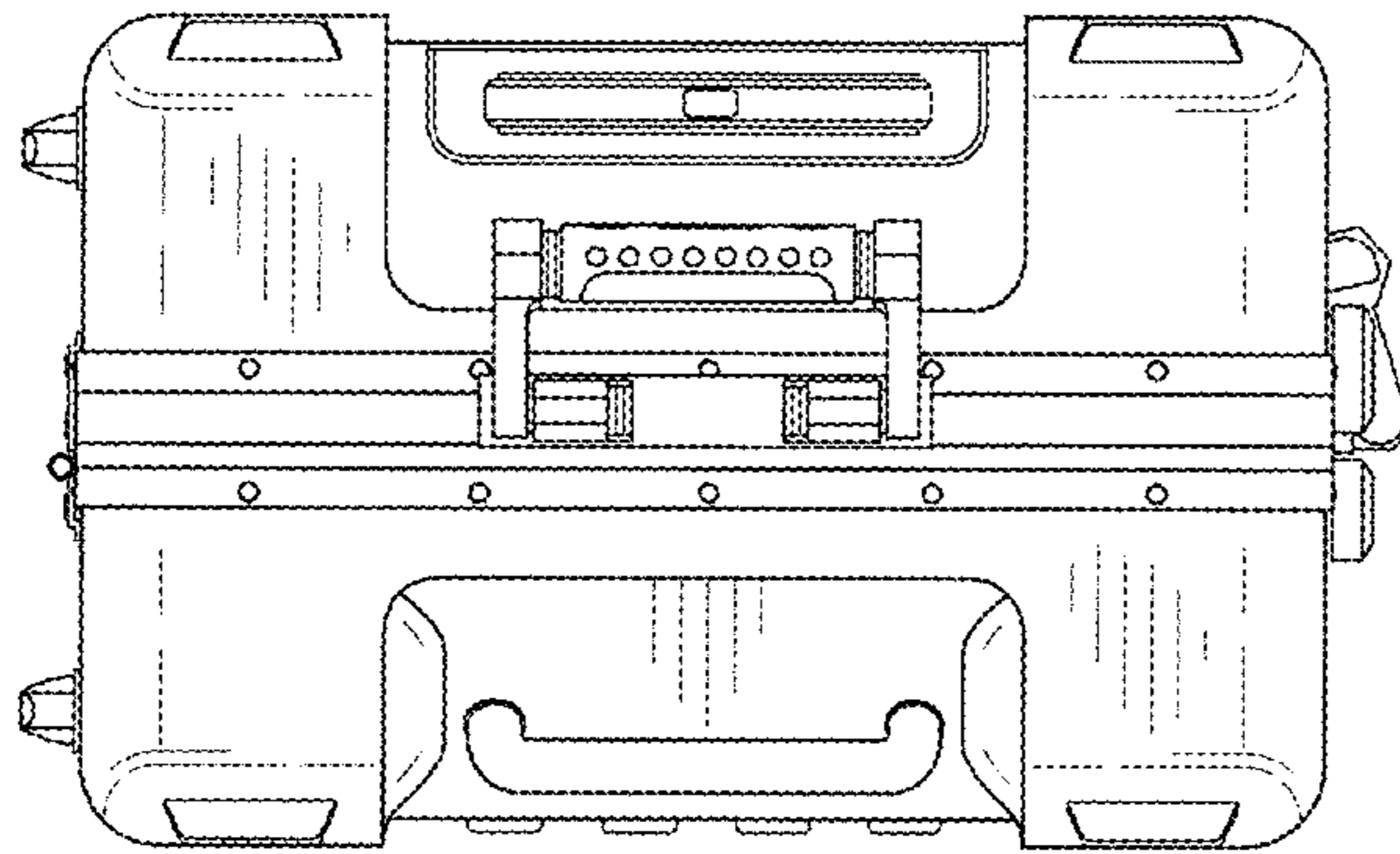


FIG. 6

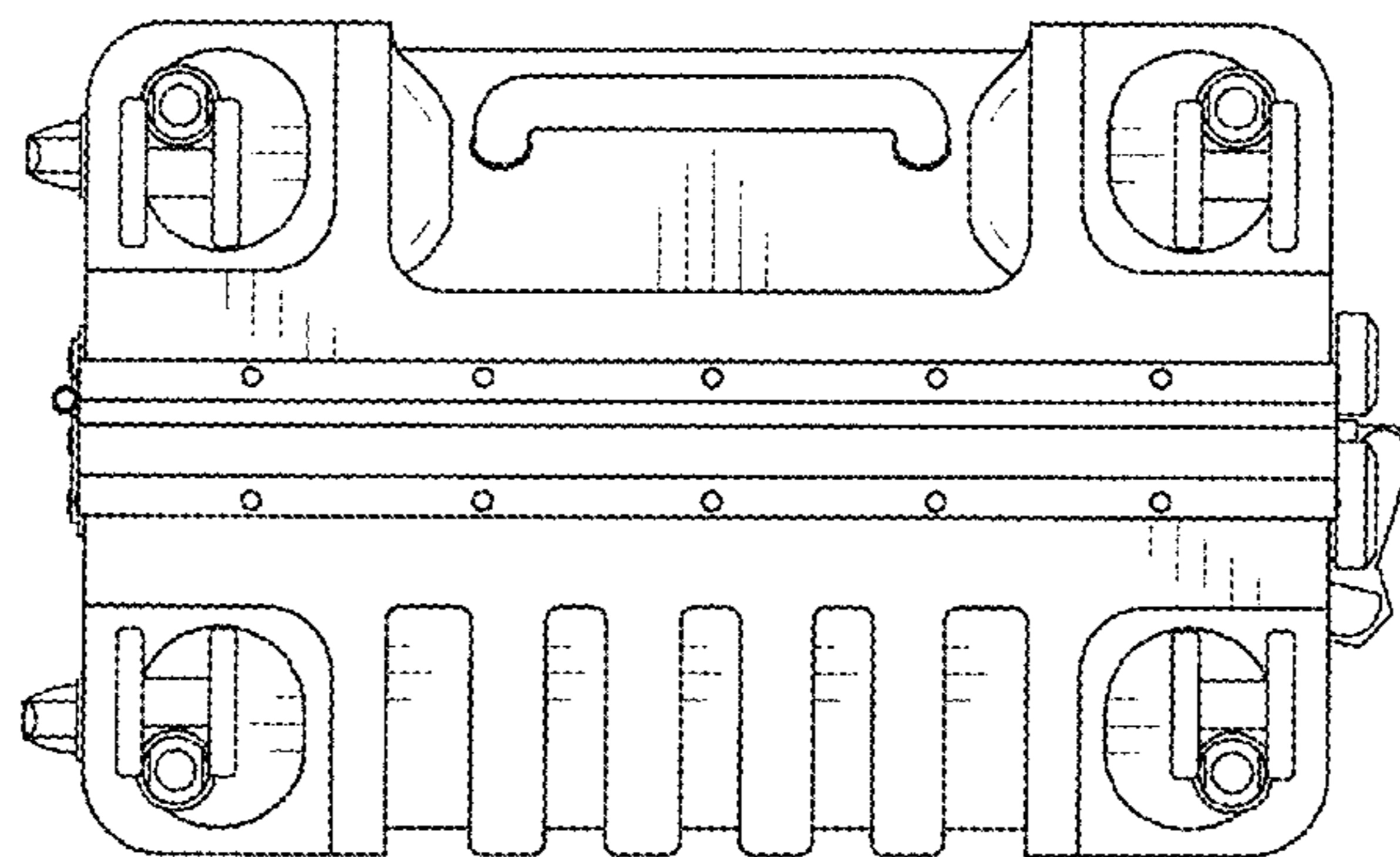


FIG. 7