



US00D802923S

(12) **United States Design Patent** (10) **Patent No.:** **US D802,923 S**
Helweg (45) **Date of Patent:** **** Nov. 21, 2017**

(54) **COMBINED PEDAL BOARD AND CASE**

D596,399 S * 7/2009 Decarlo D3/291
D625,517 S * 10/2010 Rossi D3/272
D642,373 S * 8/2011 Decarlo D3/204

(71) Applicant: **Helweg Design**, Lawrence, KS (US)

(Continued)

(72) Inventor: **Michael Helweg**, Lawrence, KS (US)

(73) Assignee: **Helweg Design**, Lawrence, KS (US)

(**) Term: **15 Years**

(21) Appl. No.: **29/537,373**

(22) Filed: **Aug. 25, 2015**

(51) **LOC (10) Cl.** **03-01**

(52) **U.S. Cl.**

USPC **D3/274; D3/900**

(58) **Field of Classification Search**

USPC D3/273, 276, 279, 281, 282, 283, 284,
D3/291, 294, 296, 297, 905, 900

CPC G10H 1/32; G10G 7/005; G10G 5/00

See application file for complete search history.

(56) **References Cited**

U.S. PATENT DOCUMENTS

1,093,484 A * 4/1914 Schwarzrock A45C 5/02
190/125
D129,108 S * 8/1941 Sprague D3/268
2,268,450 A * 12/1941 Haggett G03B 29/00
206/316.2
4,488,468 A * 12/1984 Peterson G10H 1/34
200/86.5
D308,137 S * 5/1990 Grecchi D3/292
5,866,829 A * 2/1999 Pecoraro G10H 1/32
84/177
D414,037 S * 9/1999 Akaike D3/272
6,462,260 B2 * 10/2002 Fediakov G10G 7/005
206/14
6,723,909 B1 * 4/2004 Hooper, II G10G 5/00
84/177
D497,252 S * 10/2004 Perella D3/272
D521,730 S * 5/2006 Lang D3/273

OTHER PUBLICATIONS

West Coast Pedal Board, "West Coast PedalBoard—Flat Series",
Caught page from Jun. 9, 2014. Accessed Feb. 8, 2017. (<http://shop.westcoastpedalboard.com/West-Coast-Standard-Flat-Series-Pedalboards-p/pedal-board-standard-flat.htm>).*

(Continued)

Primary Examiner — Jennifer Rivard

Assistant Examiner — April Rivas

(74) *Attorney, Agent, or Firm* — Hovey Williams LLP

(57) **CLAIM**

The ornamental design for a combined pedal board and case,
as shown and described.

DESCRIPTION

FIG. 1 is a top left front isometric view of an embodiment
of a combined pedal board and case according to my new
design;

FIG. 2 is a bottom right rear isometric view of the combined
pedal board and case of FIG. 1;

FIG. 3 is a front elevational view of the combined pedal
board and case of FIGS. 1-2;

FIG. 4 is a right side elevational view of the combined pedal
board and case of FIGS. 1-3;

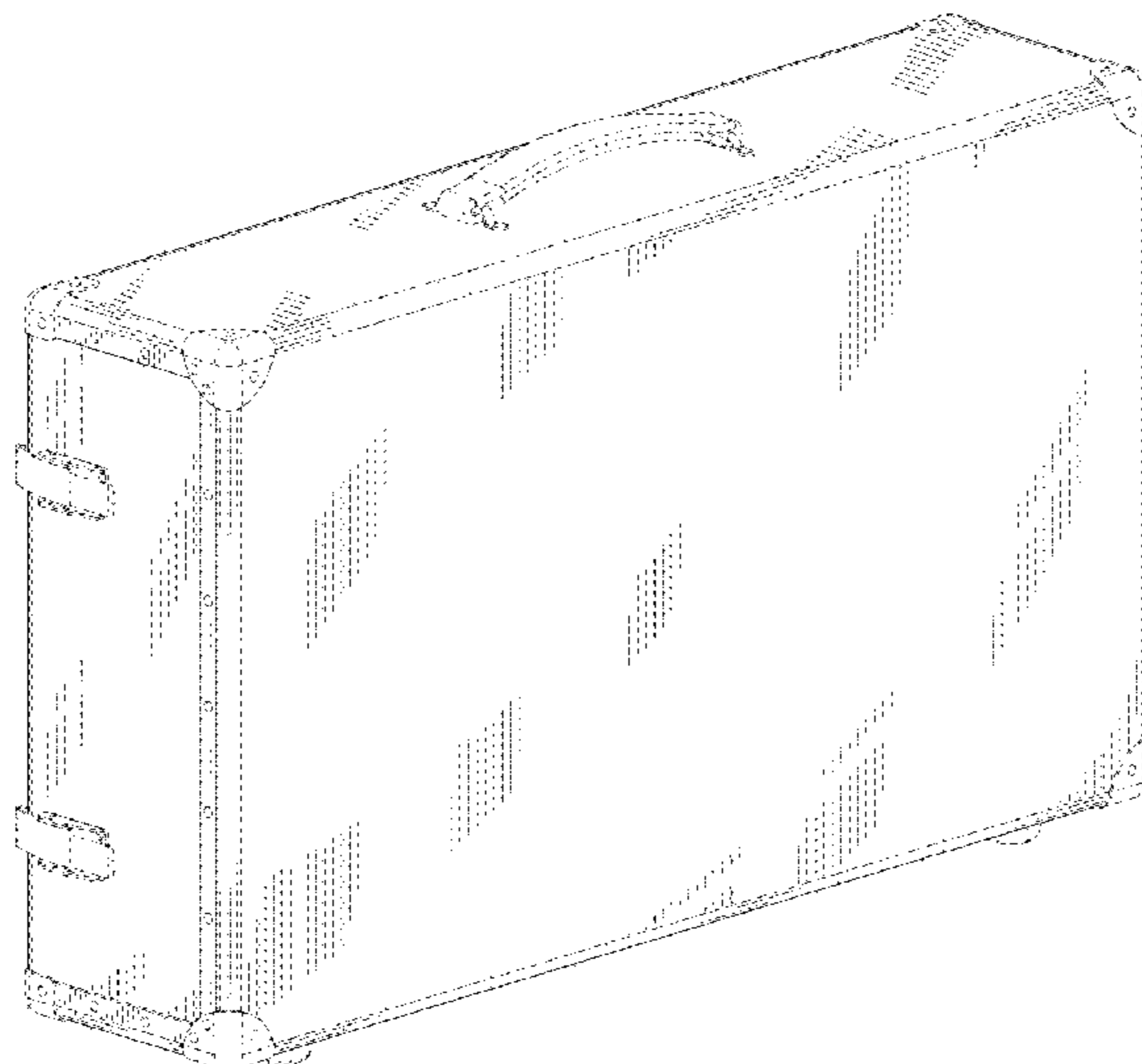
FIG. 5 is a rear elevational view of the combined pedal board
and case of FIGS. 1-4;

FIG. 6 is a top plan view of the combined pedal board and
case of FIGS. 1-5; and,

FIG. 7 is a bottom plan view of the combined pedal board
and case of FIGS. 1-6.

The relatively thin lines are included to illustrate contour
and not surface ornamentation. The broken lines shown in
the various Figures illustrate portions of the combined pedal
board and case that form no part of the claimed design.

1 Claim, 6 Drawing Sheets



(56)

References Cited

U.S. PATENT DOCUMENTS

D643,623 S * 8/2011 Chin D3/272
D677,465 S * 3/2013 Cenzano D3/276

OTHER PUBLICATIONS

Helweg Custom PedalBoards, "Photos", Caught page from Nov. 4, 2012. Accessed Feb. 8, 2017. (<http://www.helwegpedalboards.com/photos.html>).*

Road Cases USA, "Effects Pedal— $\frac{3}{8}$ " Heavy Duty—Choose from 9 sizes", Accessed Feb. 8, 2017. (<https://www.roadcasesusa.com/effects-pedal-cases-3-8-heavy-duty-choose-from-9-sizes/>).*

* cited by examiner

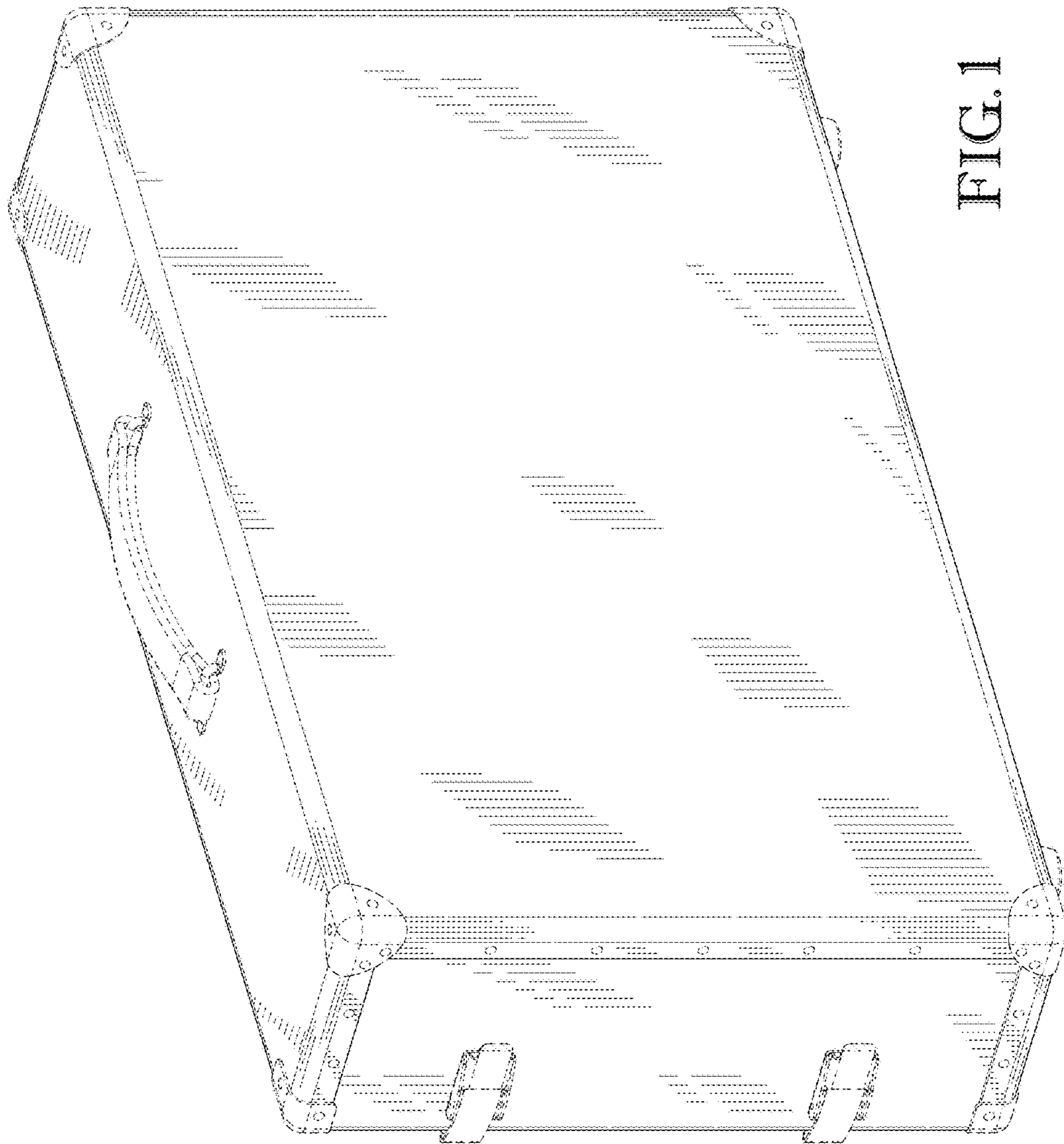


FIG. 1

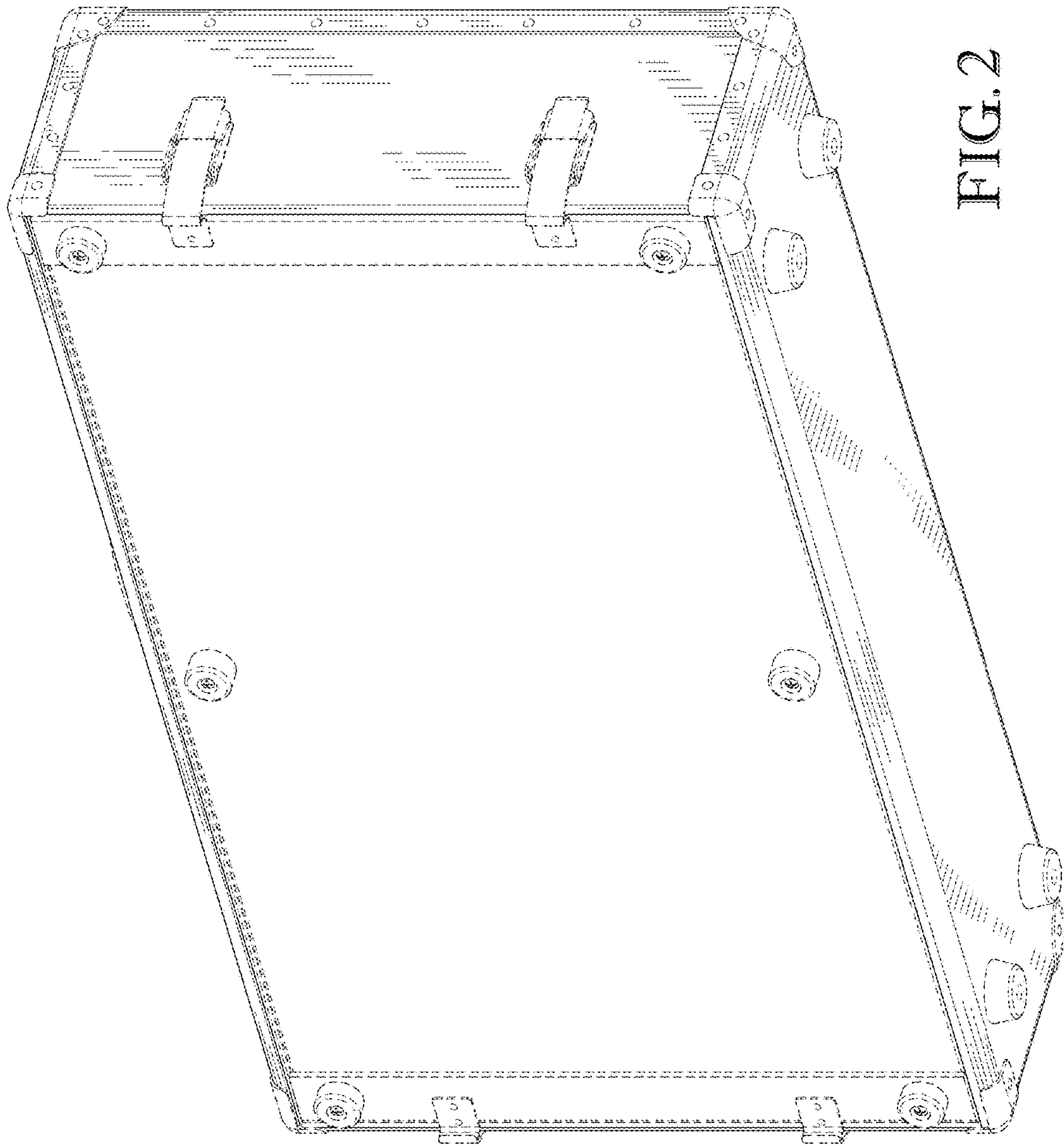


FIG. 2

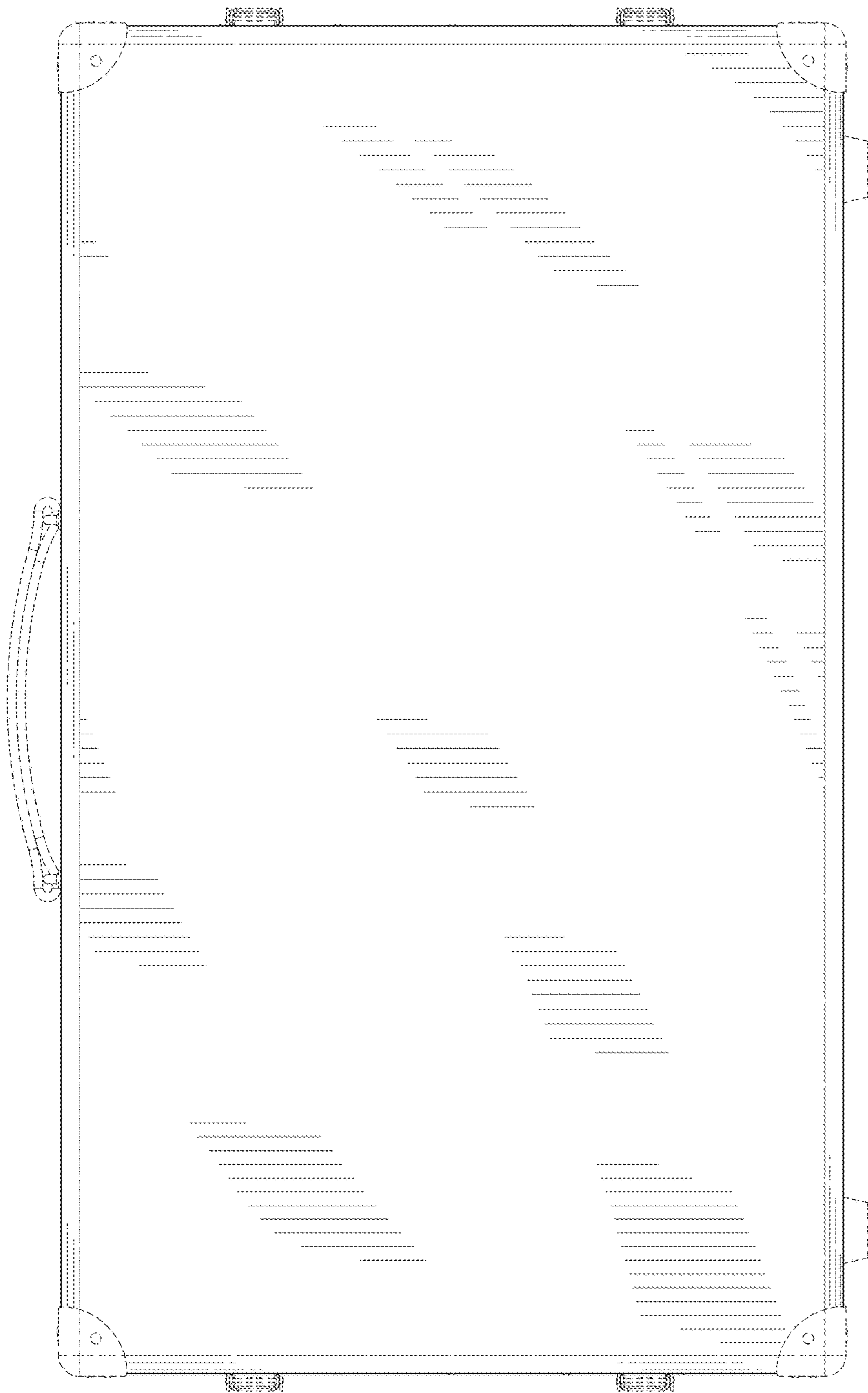


FIG. 3

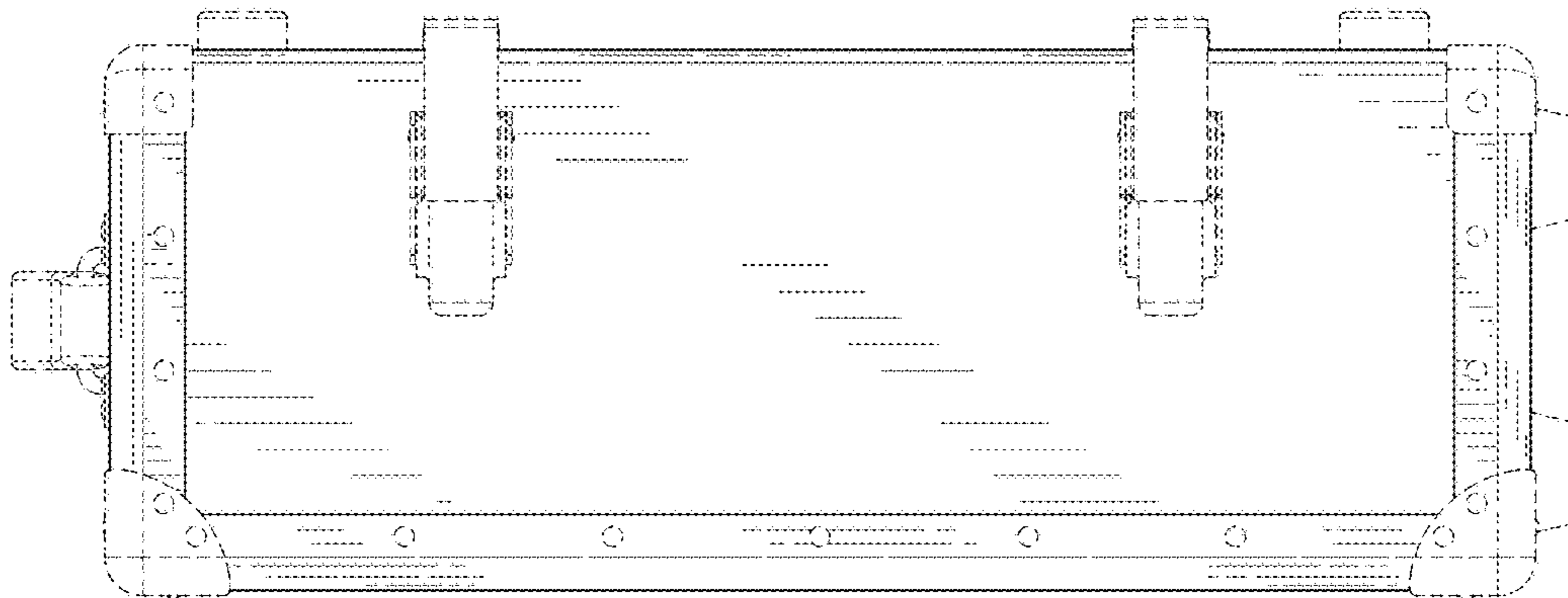


FIG. 4

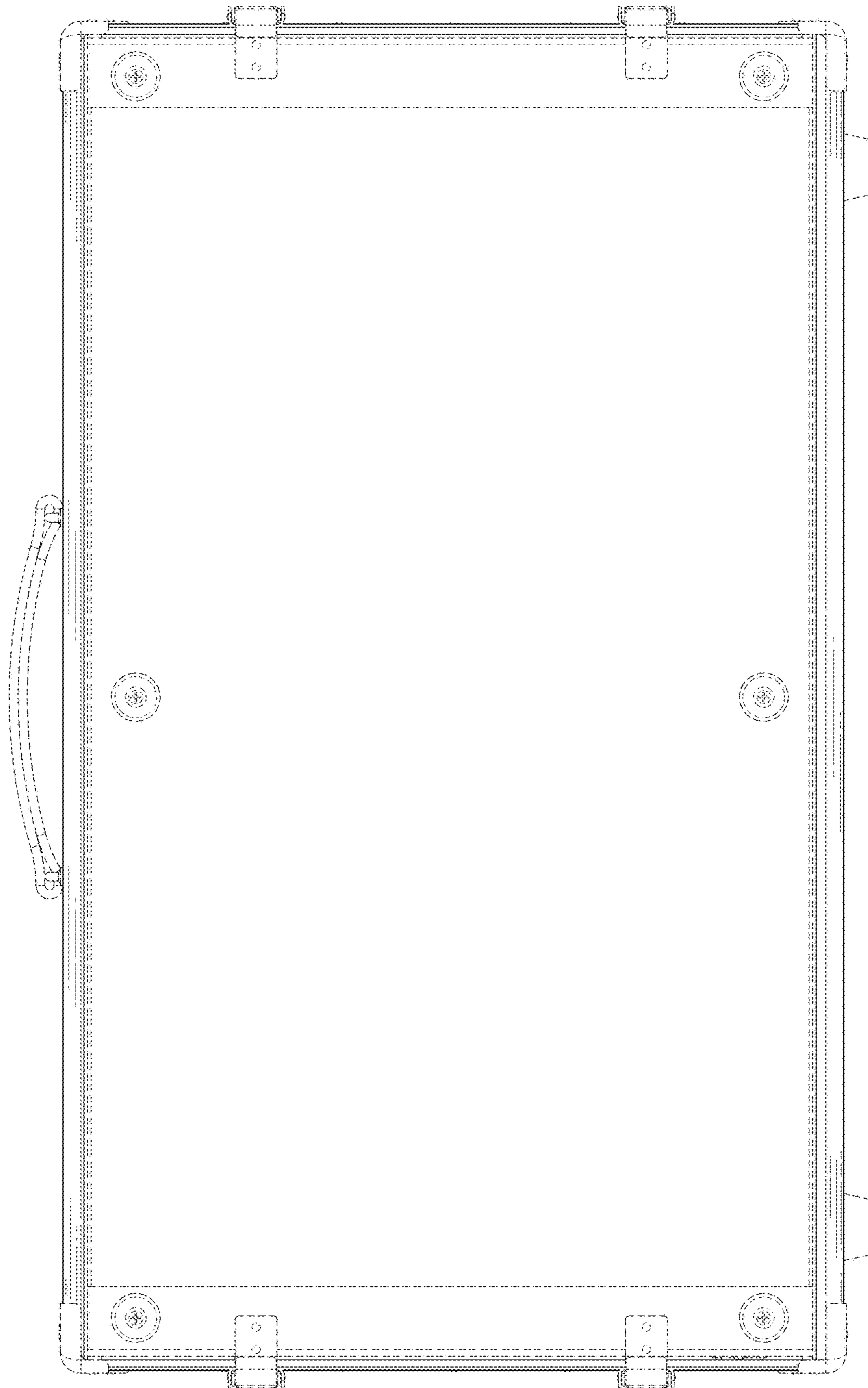


FIG. 5

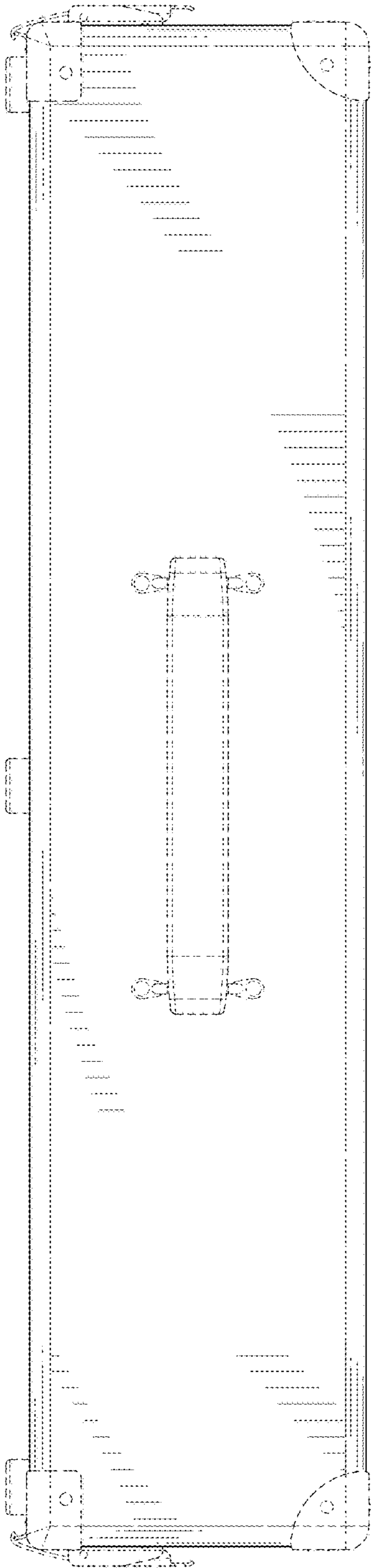


FIG. 6

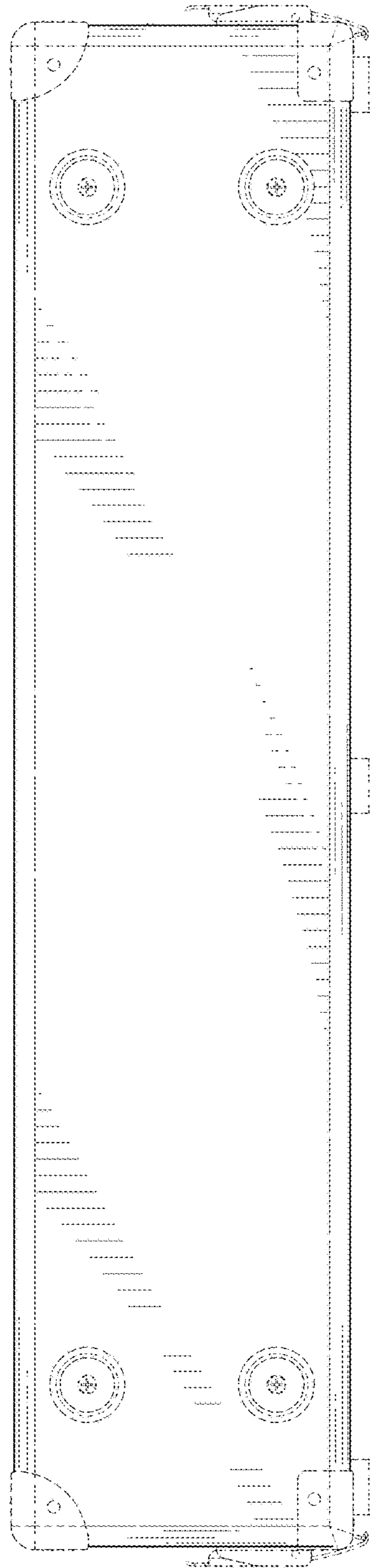


FIG. 7