



US00D802922S

(12) **United States Design Patent** (10) **Patent No.:** **US D802,922 S**
Pearson (45) **Date of Patent:** **** Nov. 21, 2017**

(54) **STORAGE DEVICE**
(71) Applicant: **Eric Pearson**, Alpine Meadows, CA (US)
(72) Inventor: **Eric Pearson**, Alpine Meadows, CA (US)
(73) Assignee: **Pearson Enterprises LLC**, Olympic Valley, CA (US)
(**) Term: **15 Years**
(21) Appl. No.: **29/551,809**

D367,357 S * 2/1996 Vincent D3/254
D367,358 S * 2/1996 Vincent D3/254
5,507,121 A * 4/1996 Taylor E04H 6/005
49/40
D502,807 S * 3/2005 Jaron D3/273
7,051,481 B2 * 5/2006 Delavega E04H 15/38
135/133
7,096,628 B2 * 8/2006 Millward E04H 6/04
296/136.02
D627,480 S * 11/2010 Pinke D25/18
D691,549 S * 10/2013 Kara D12/402
D707,966 S * 7/2014 Settelmayer D3/276
D708,849 S * 7/2014 Armstrong D3/276
D760,148 S * 6/2016 Zwetzig D12/407
2010/0230311 A1 * 9/2010 Jacques A45C 11/00
206/335

(22) Filed: **Jan. 16, 2016**
(51) **LOC (10) Cl.** **03-01**
(52) **U.S. Cl.**
USPC **D3/254**
(58) **Field of Classification Search**
USPC D3/201, 254, 269, 273; D12/402, 409,
D12/410; D25/18
CPC B62H 3/00; E04H 6/005; E04H 15/42;
E04H 15/36
See application file for complete search history.

FOREIGN PATENT DOCUMENTS

DE 4310487 A1 10/1994
* cited by examiner

Primary Examiner — Mitchell Siegel
(74) *Attorney, Agent, or Firm* — Equip Law Group;
Christopher Quan

(57) **CLAIM**

The ornamental design for a storage device, as shown and described.

(56) **References Cited**

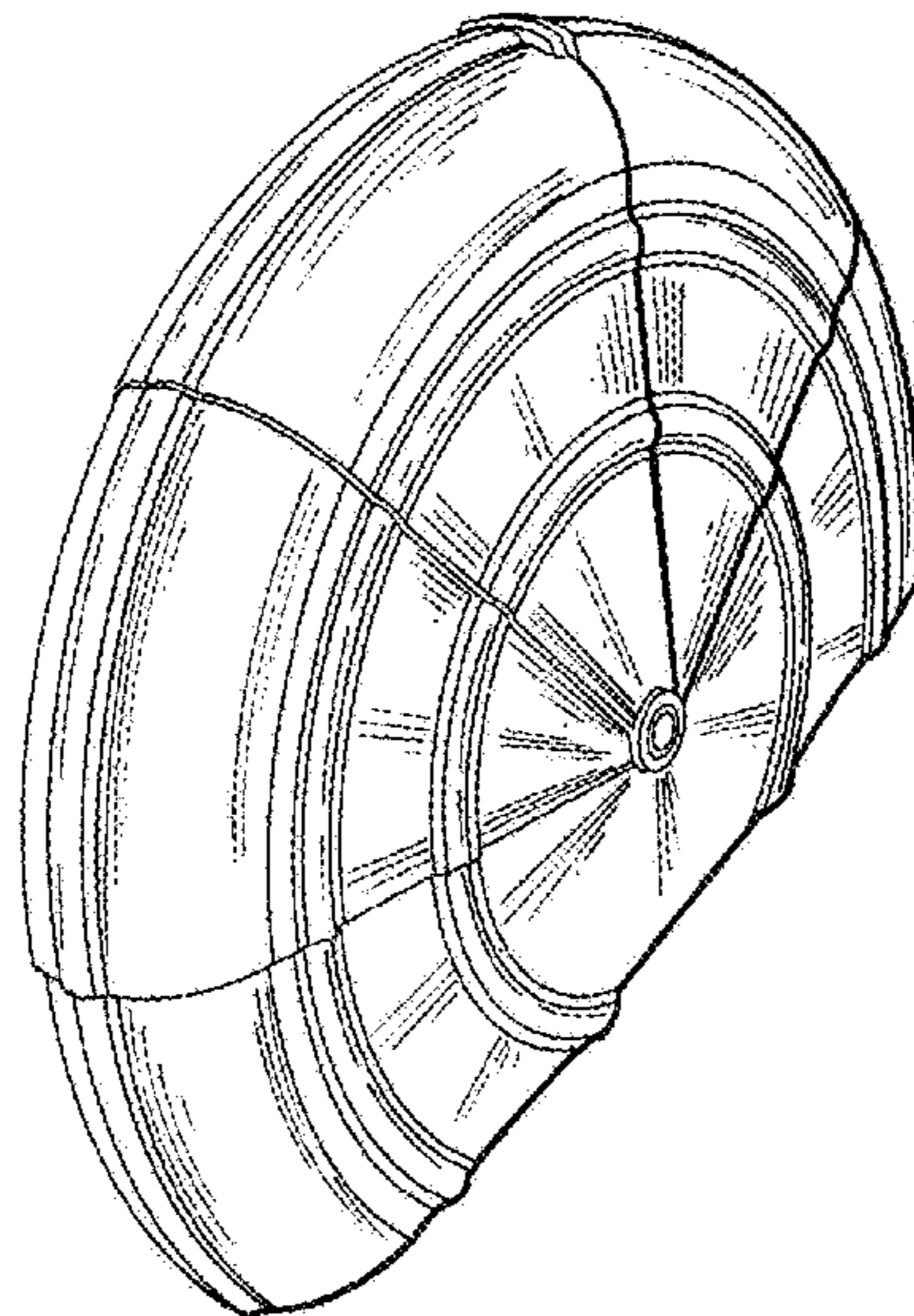
U.S. PATENT DOCUMENTS

4,227,542 A * 10/1980 Bonfilio E04H 4/108
135/118
4,306,390 A * 12/1981 Brown A63G 25/00
52/64
D279,369 S * 6/1985 Van Vlandren D12/410
D282,061 S * 1/1986 Abe D12/410
4,792,039 A * 12/1988 Dayton A45C 5/14
206/304
4,991,715 A * 2/1991 Williams B62J 99/00
206/335
D341,349 S * 11/1993 Sthrowise D12/410
D352,117 S * 11/1994 Taylor D25/16

DESCRIPTION

FIG. 1 is a back view of a storage device embodying my new design;
FIG. 2 is a front view thereof;
FIG. 3 is a left side view thereof;
FIG. 4 is a right side view thereof;
FIG. 5 is a top view thereof;
FIG. 6 is a bottom view thereof; and,
FIG. 7 is a back and right side perspective view thereof.

1 Claim, 3 Drawing Sheets



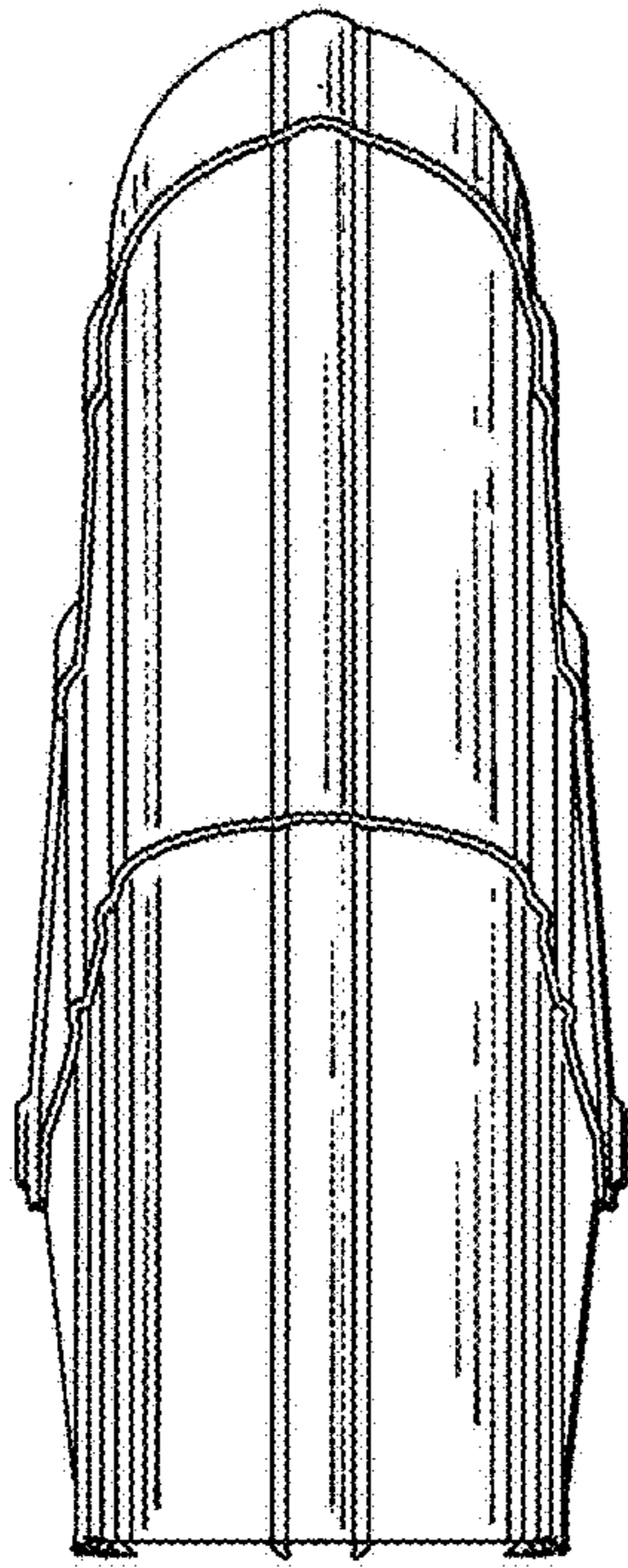


Fig. 1

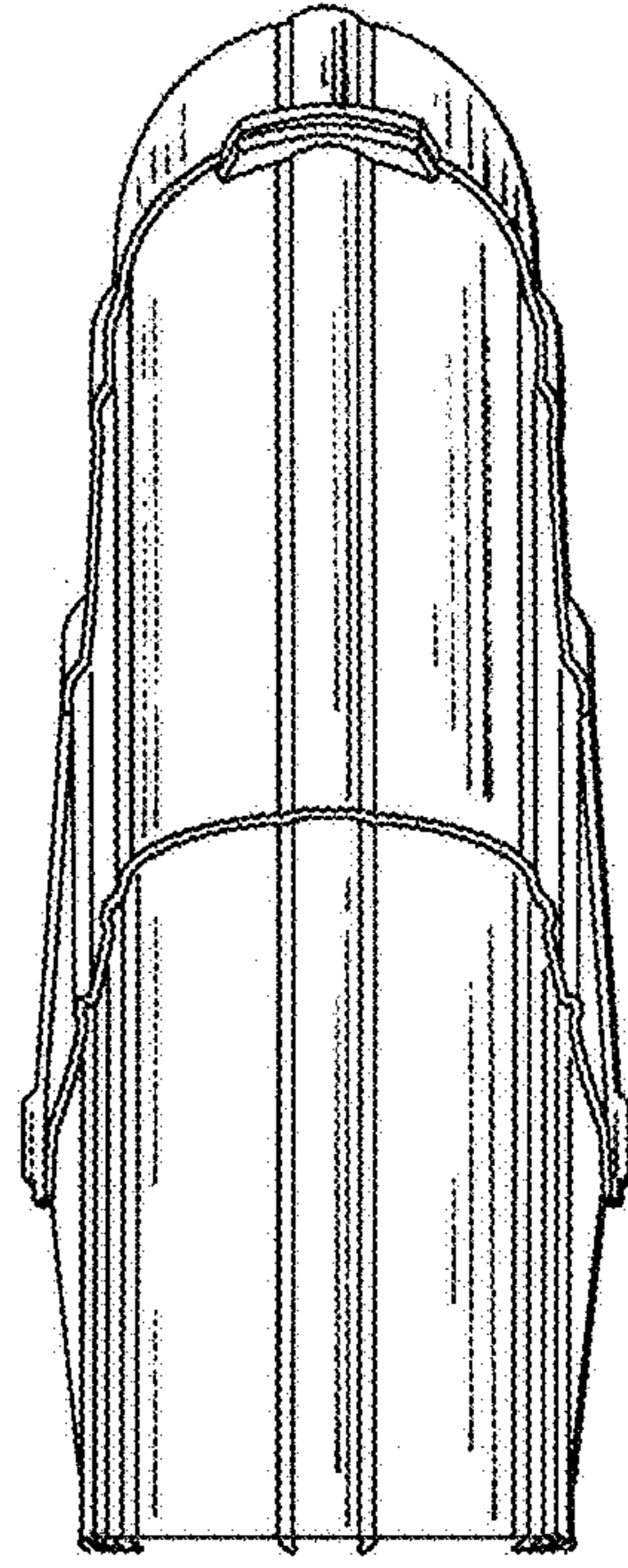


Fig. 2

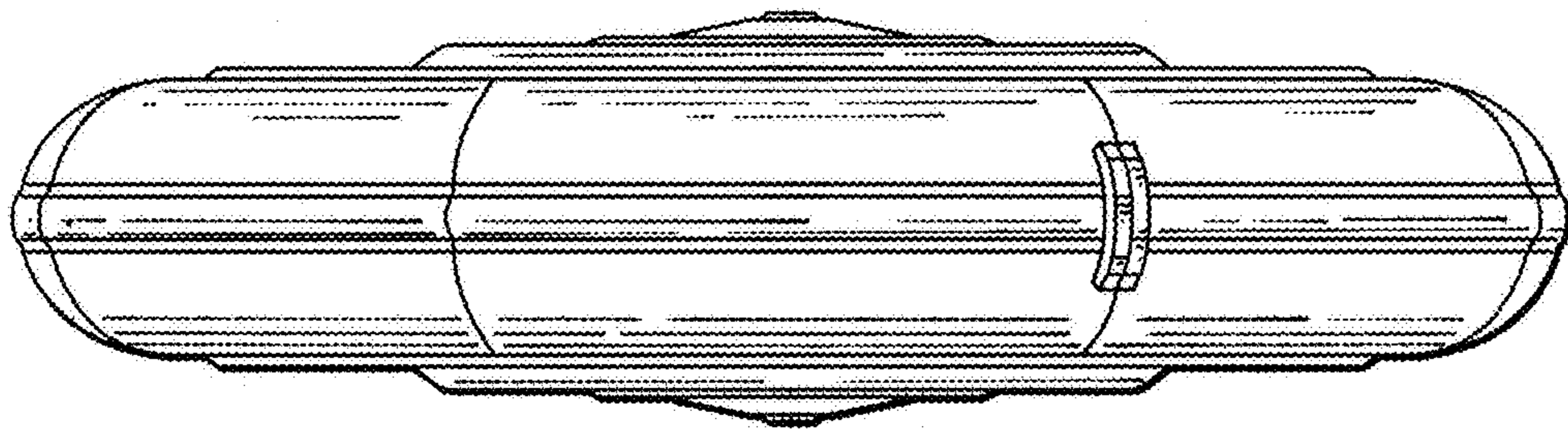


Fig. 5

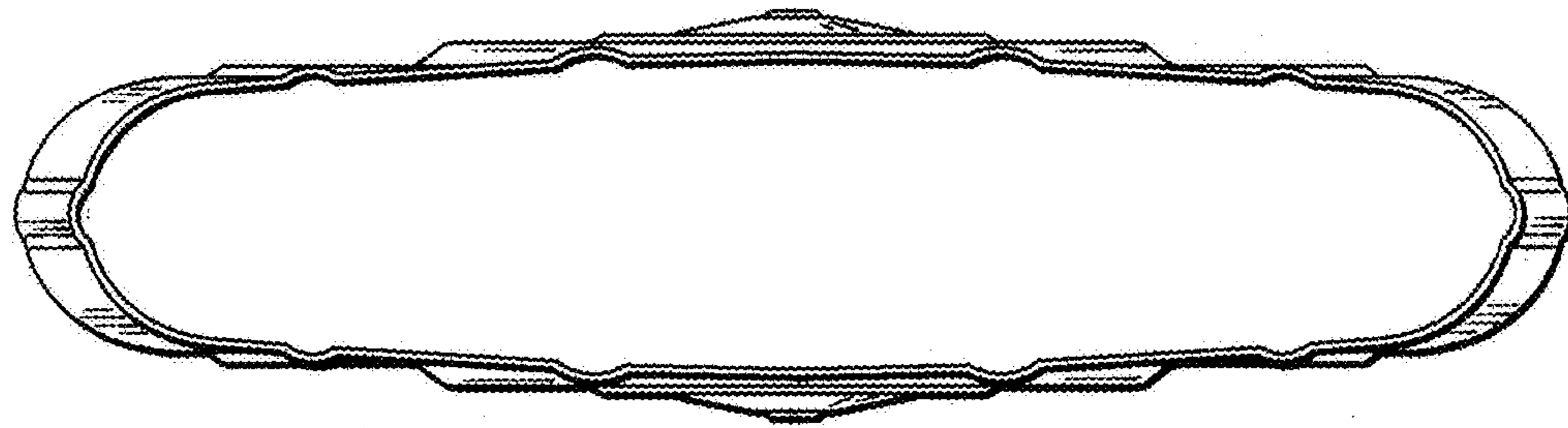


Fig. 6

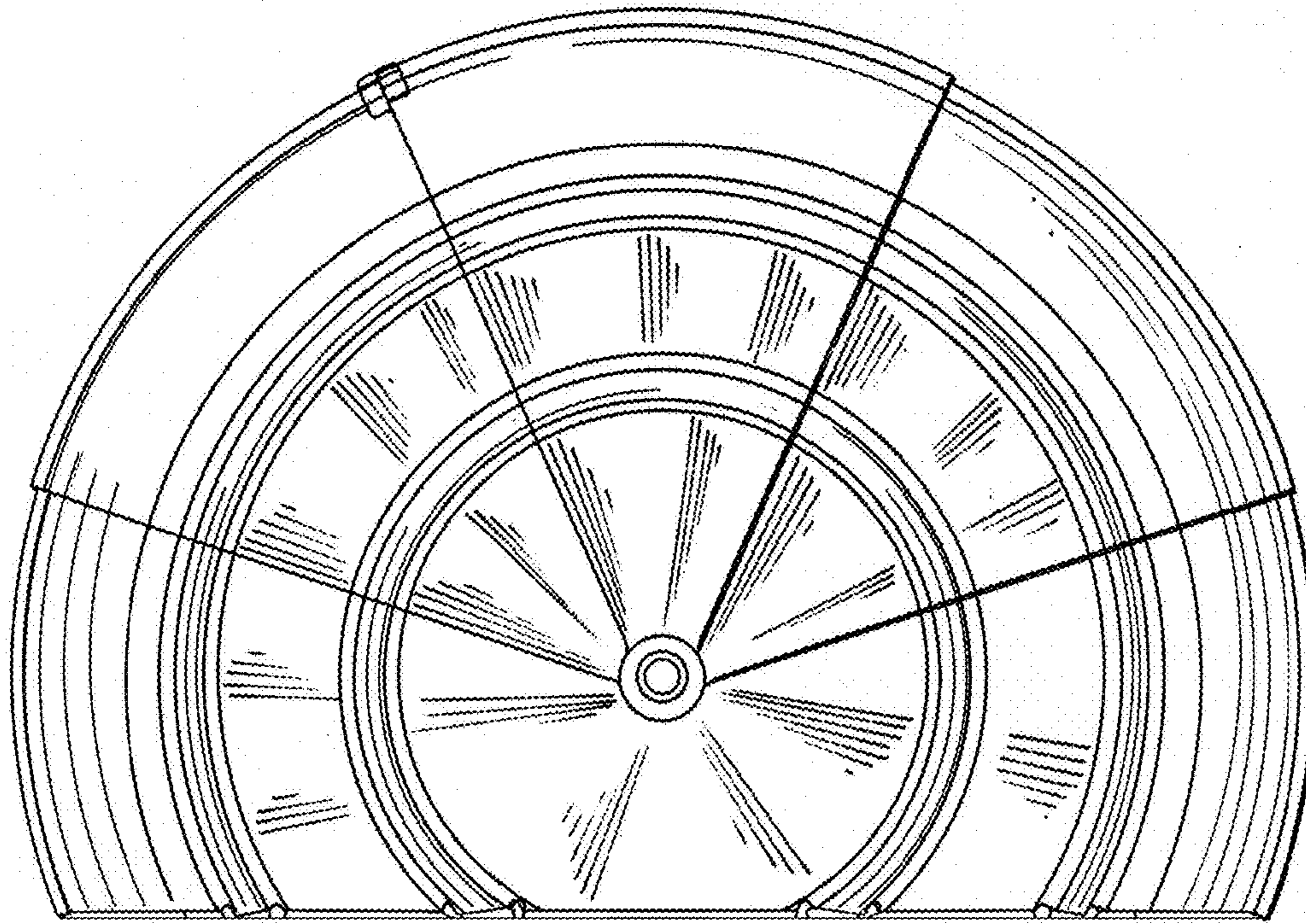


Fig. 3

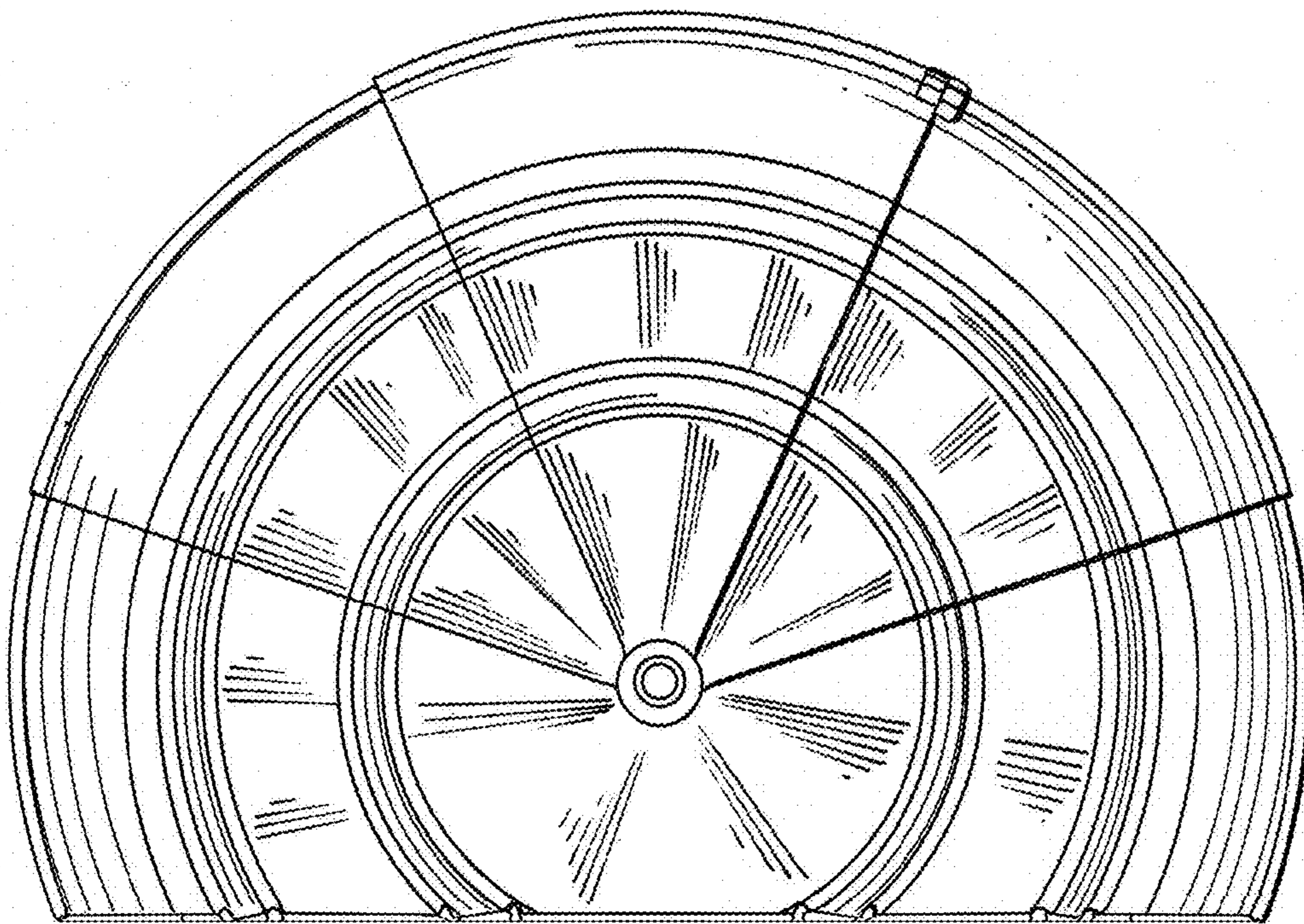


Fig. 4

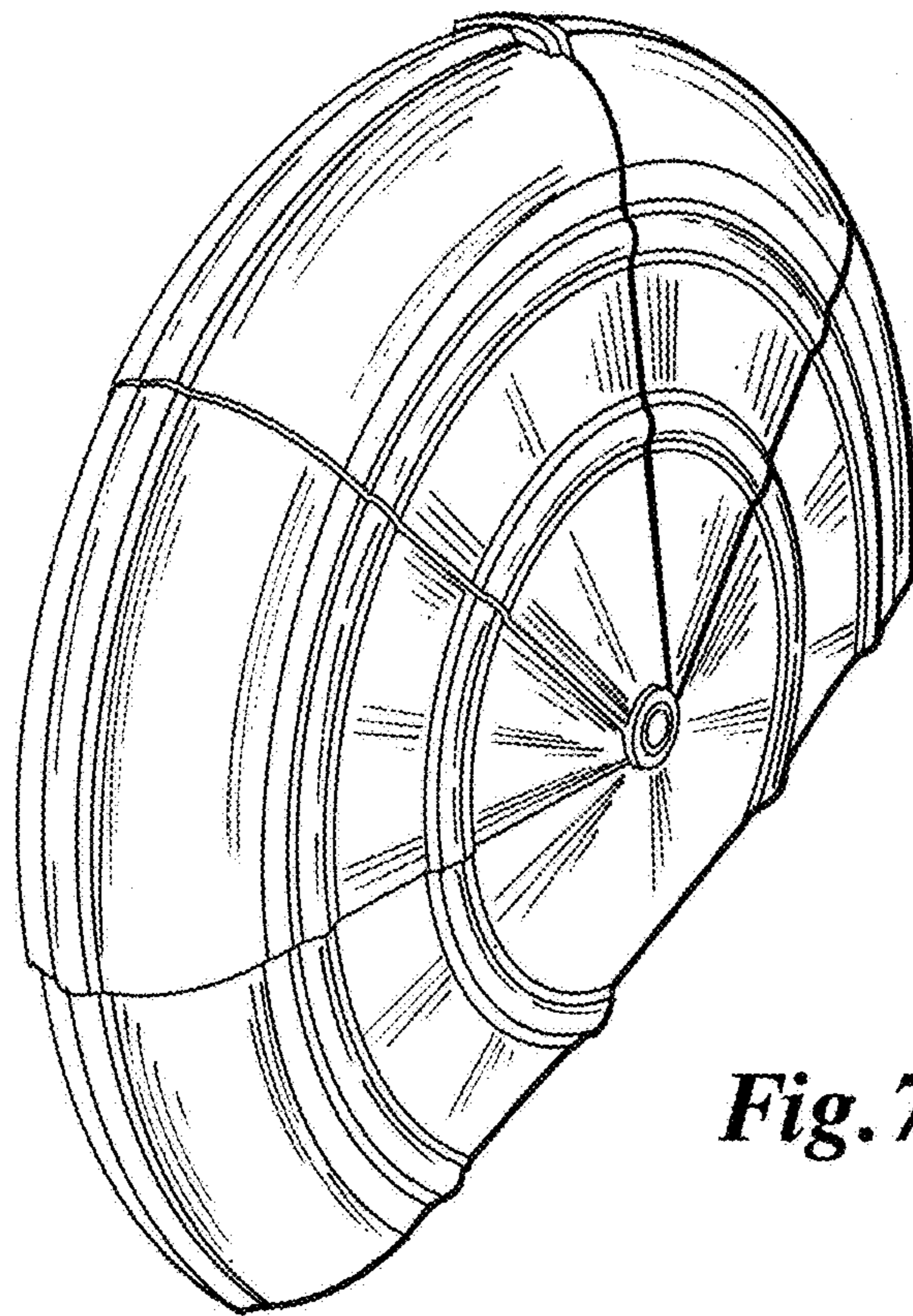


Fig. 7