



US00D802918S

(12) **United States Design Patent**
Vevers et al.

(10) **Patent No.:** **US D802,918 S**

(45) **Date of Patent:** **** Nov. 21, 2017**

(54) **HAND BAG**

- (71) Applicant: **Coach, Inc.**, New York, NY (US)
- (72) Inventors: **Stuart Vevers**, New York, NY (US);
Stacey Bearden, New York, NY (US);
Mary Helen Muldoon, New York, NY (US)
- (73) Assignee: **Coach, Inc.**, New York, NY (US)
- (**) Term: **15 Years**
- (21) Appl. No.: **29/568,535**
- (22) Filed: **Jun. 20, 2016**
- (51) **LOC (10) Cl.** **03-01**
- (52) **U.S. Cl.**
USPC **D3/243**
- (58) **Field of Classification Search**
USPC D3/232-233, 240-243, 245-246
CPC A45C 1/024; A45C 3/06
See application file for complete search history.

(56) **References Cited**

U.S. PATENT DOCUMENTS

2,784,756 A *	3/1957	Resnick	A45C 3/06 150/103
D263,649 S *	4/1982	Schimmel	D3/243
D447,336 S *	9/2001	Bergkvist	D3/242
D756,632 S *	5/2016	Frisoni	D3/243
9,375,061 B2 *	6/2016	Mosee	A45C 1/02
D762,061 S *	7/2016	Serrano	D3/243
D764,793 S *	8/2016	Dumas	D3/243

* cited by examiner

Primary Examiner — Holly H Baynham

(74) *Attorney, Agent, or Firm* — Honigman Miller Schwartz and Cohn LLP

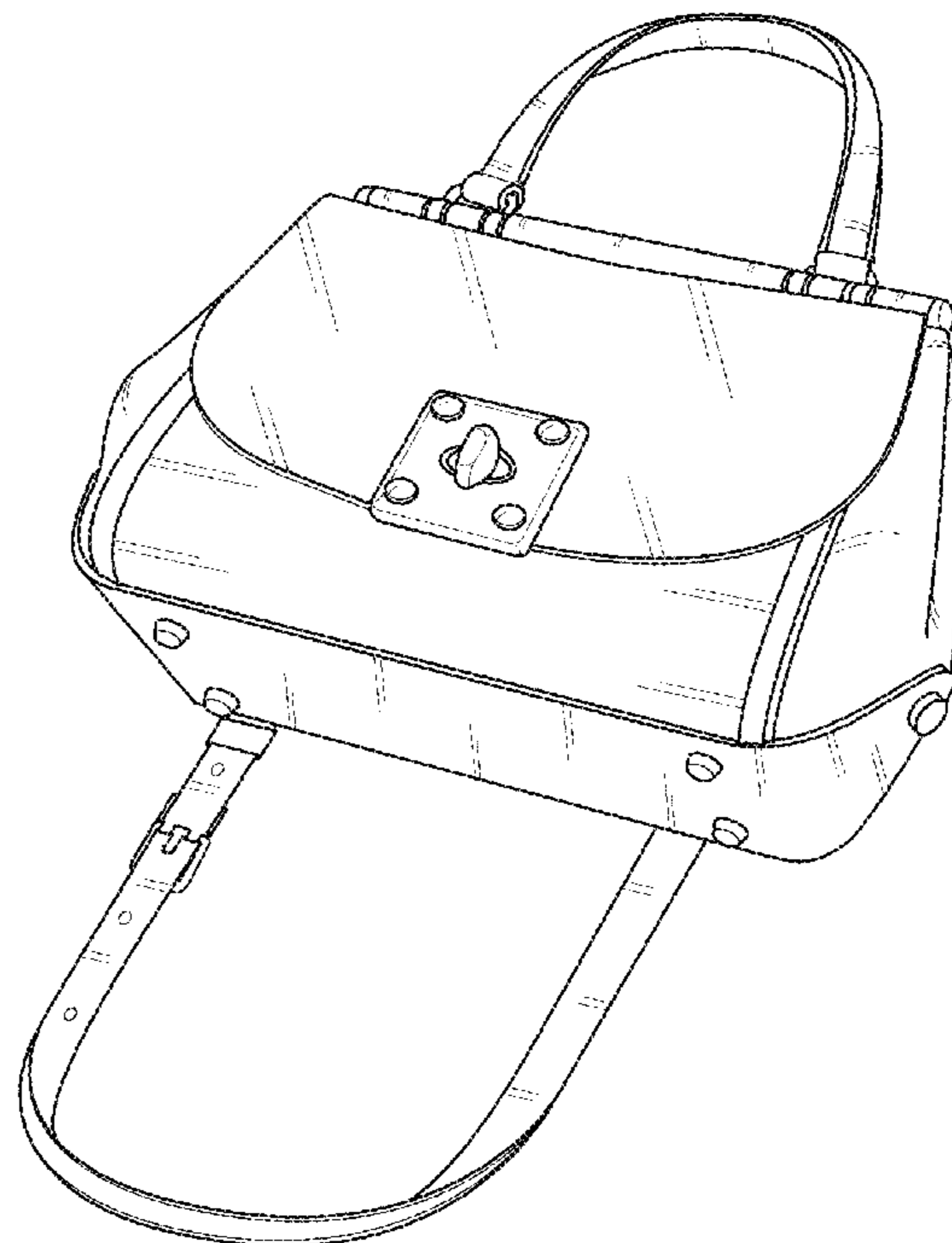
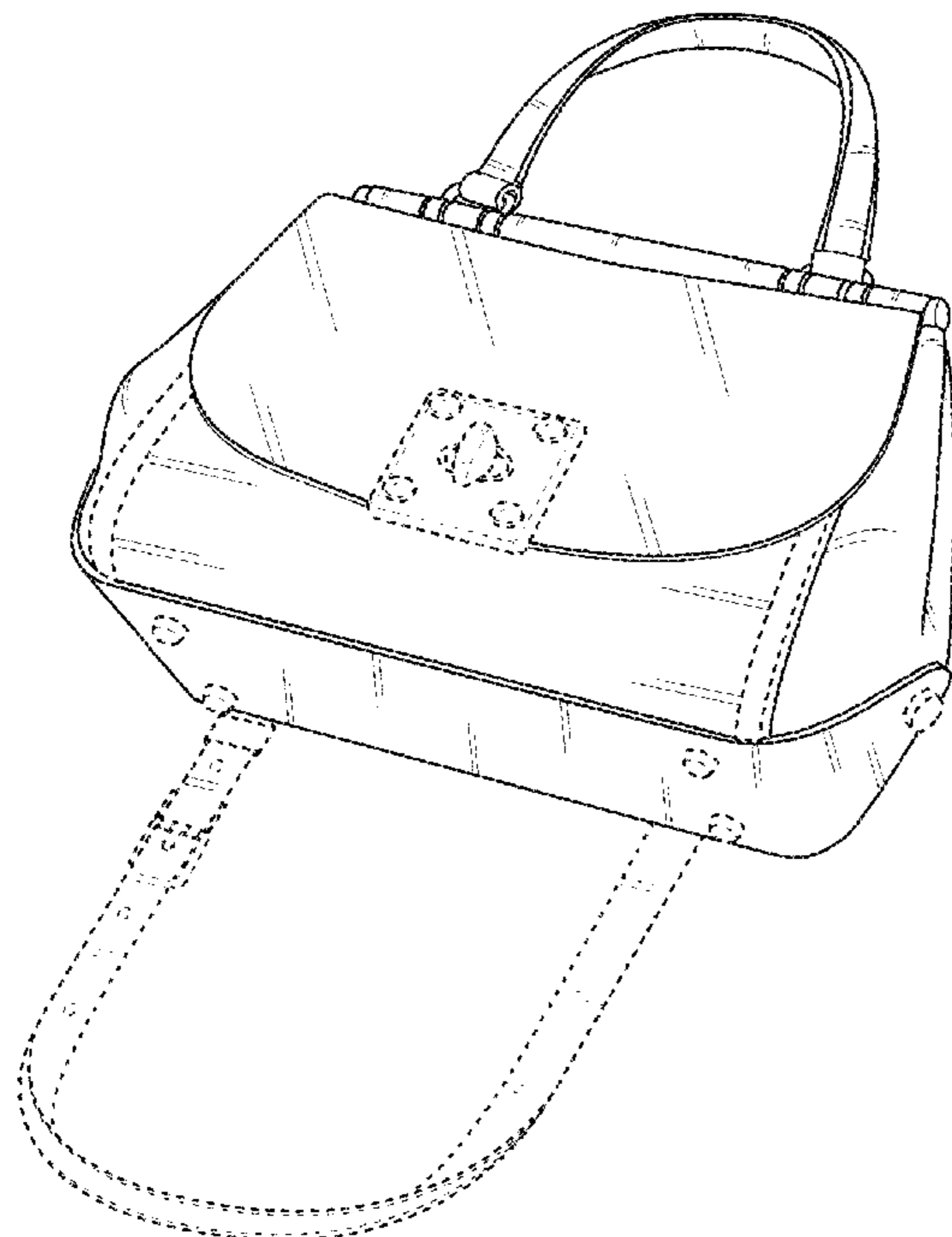
(57) **CLAIM**

The ornamental design for a hand bag, as shown and described.

DESCRIPTION

FIG. 1 is an elevated perspective view of a hand bag, showing our new design;
 FIG. 2 is a top perspective thereof;
 FIG. 3 is a front view thereof;
 FIG. 4 is a rear view thereof.
 FIG. 5 is a top plan view thereof;
 FIG. 6 is a bottom plan view thereof;
 FIG. 7 is a right side view thereof; and
 FIG. 8 is a left side view thereof.
 FIG. 9 is an elevated perspective view of another embodiment of the hand bag;
 FIG. 10 is a top perspective thereof;
 FIG. 11 is a front view thereof;
 FIG. 12 is a rear view thereof.
 FIG. 13 is a top plan view thereof;
 FIG. 14 is a bottom plan view thereof;
 FIG. 15 is a right side view thereof; and
 FIG. 16 is a left side view thereof.
 The dashed lines in the drawings depict portions of the design that form no part of the claim.

1 Claim, 16 Drawing Sheets



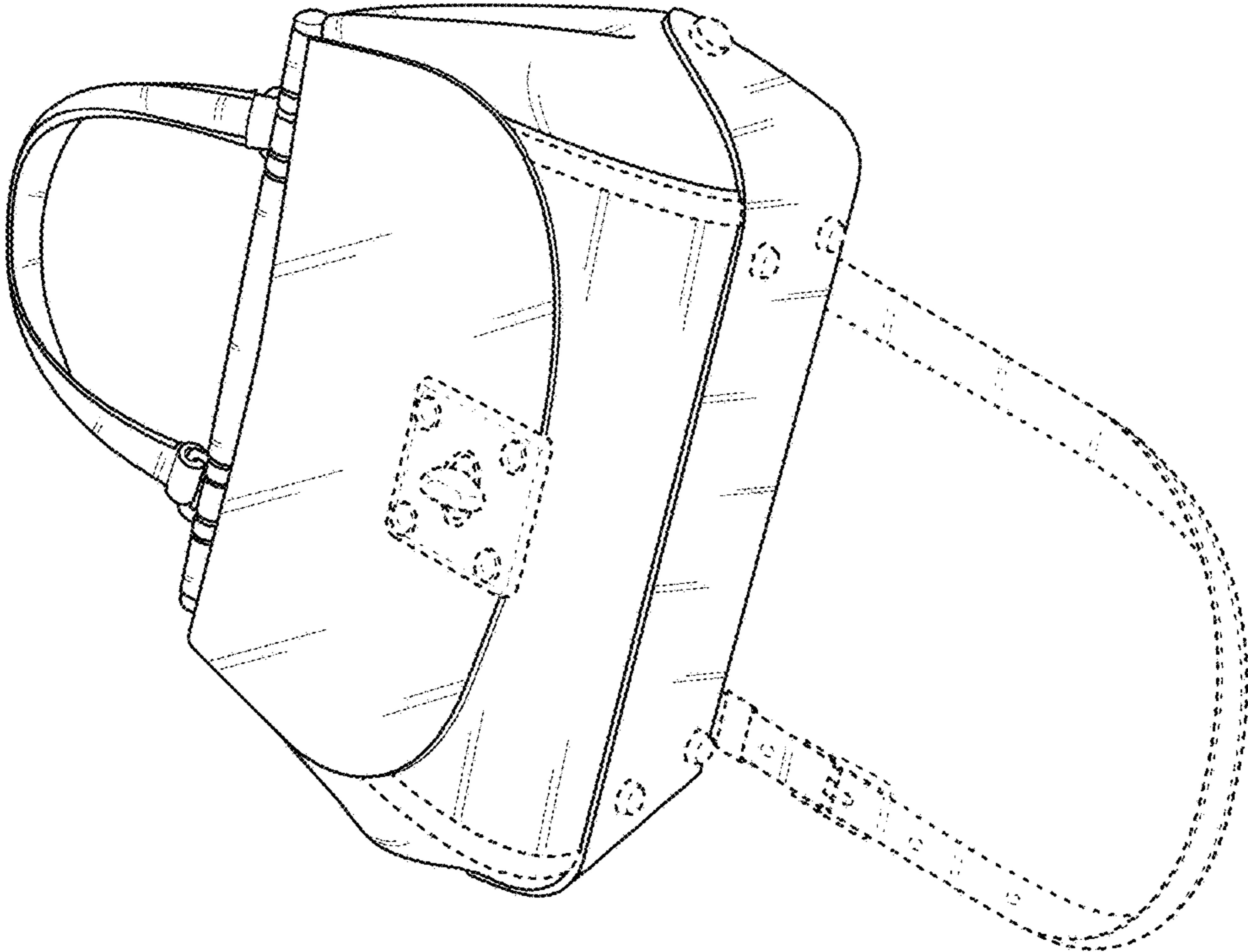


FIG. 1

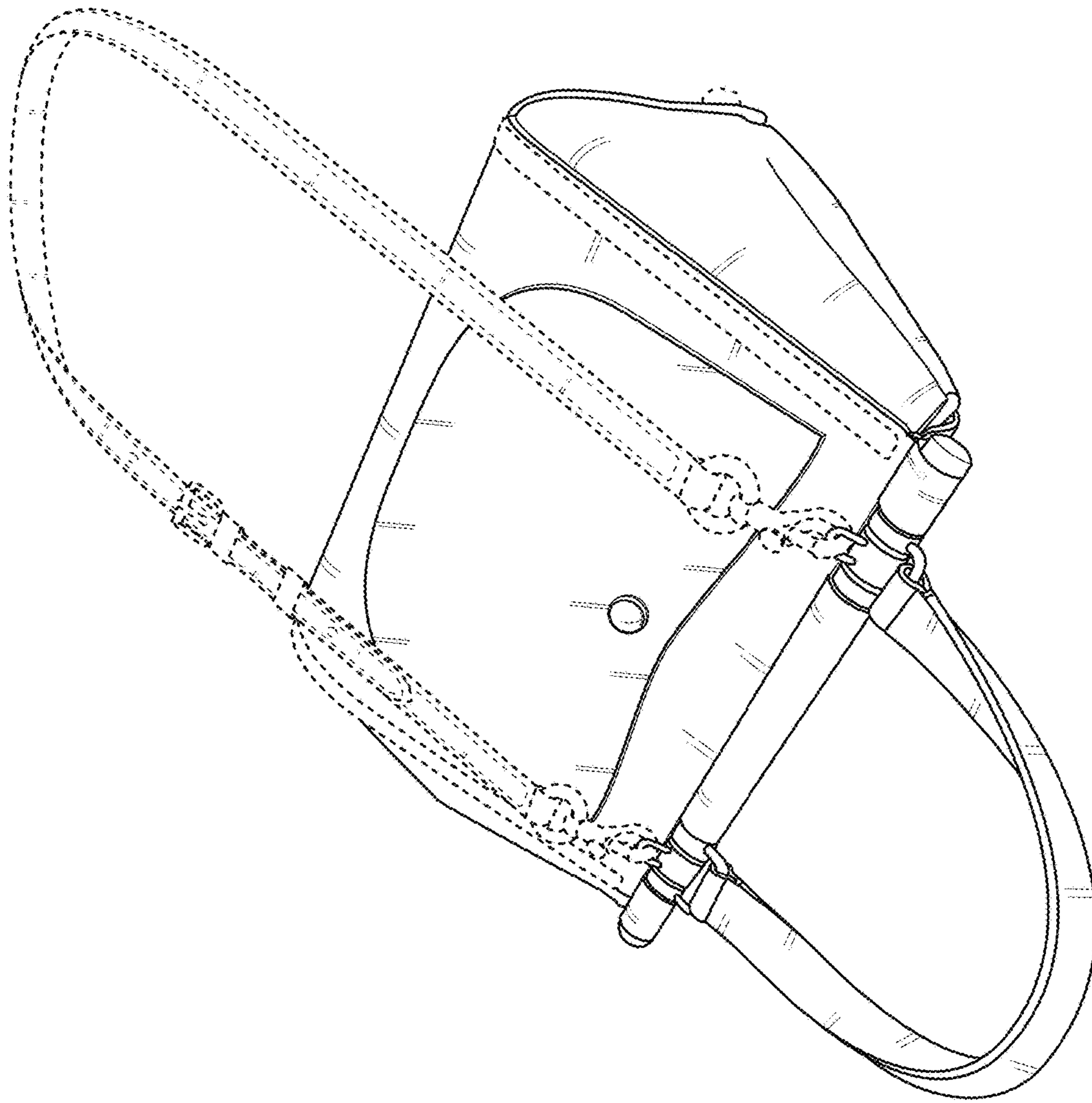


FIG. 2

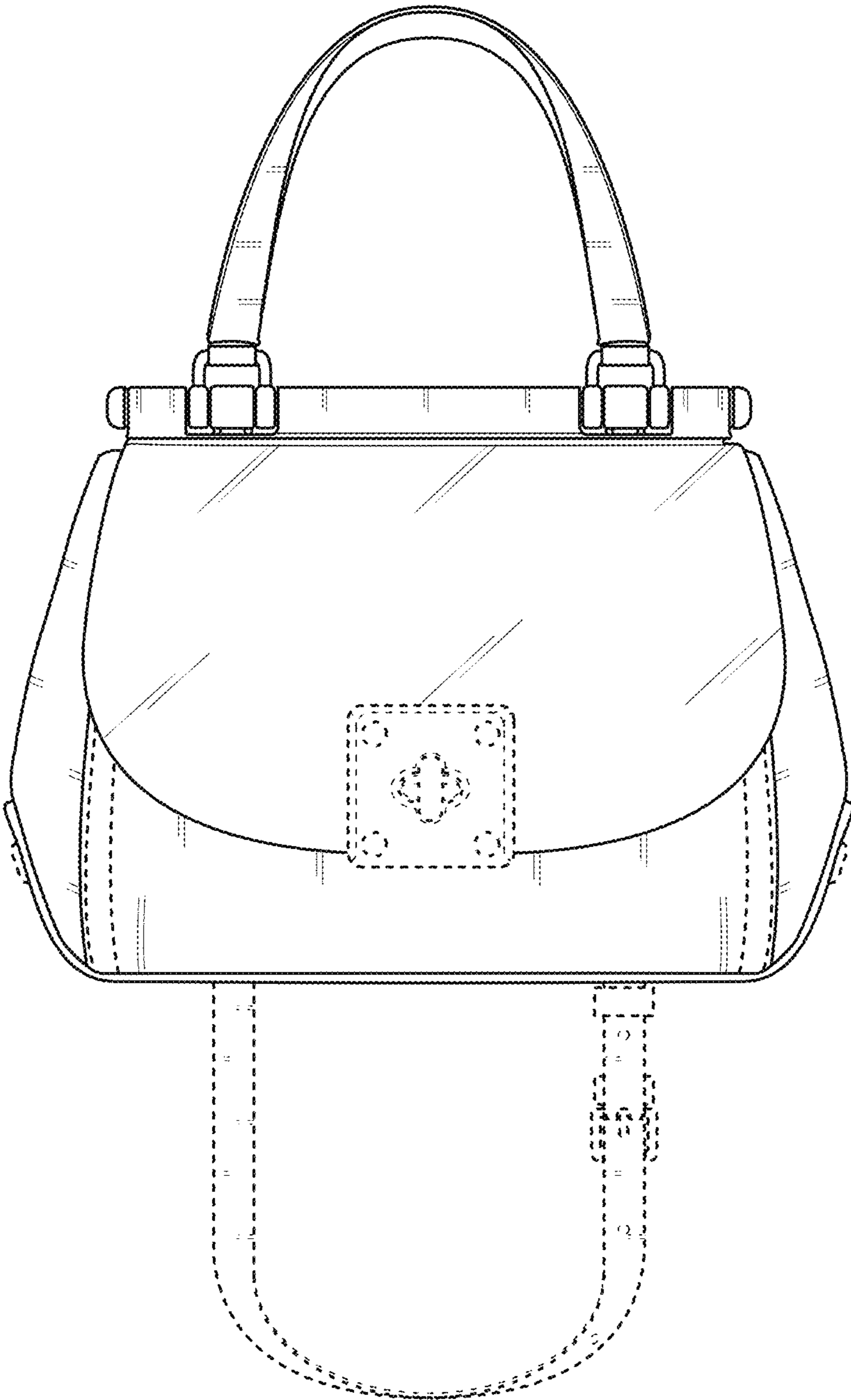


FIG. 3



FIG. 4

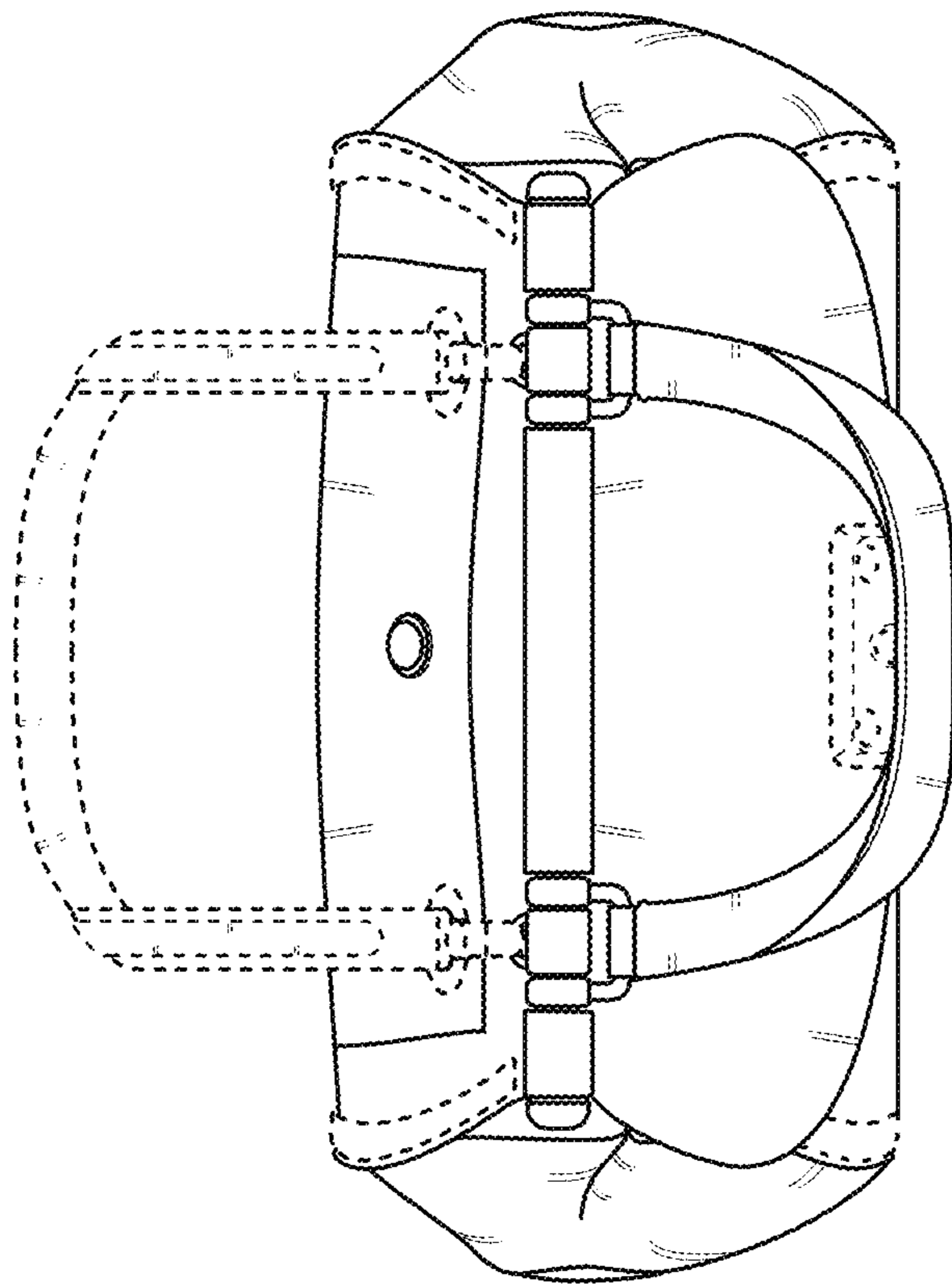


FIG. 5

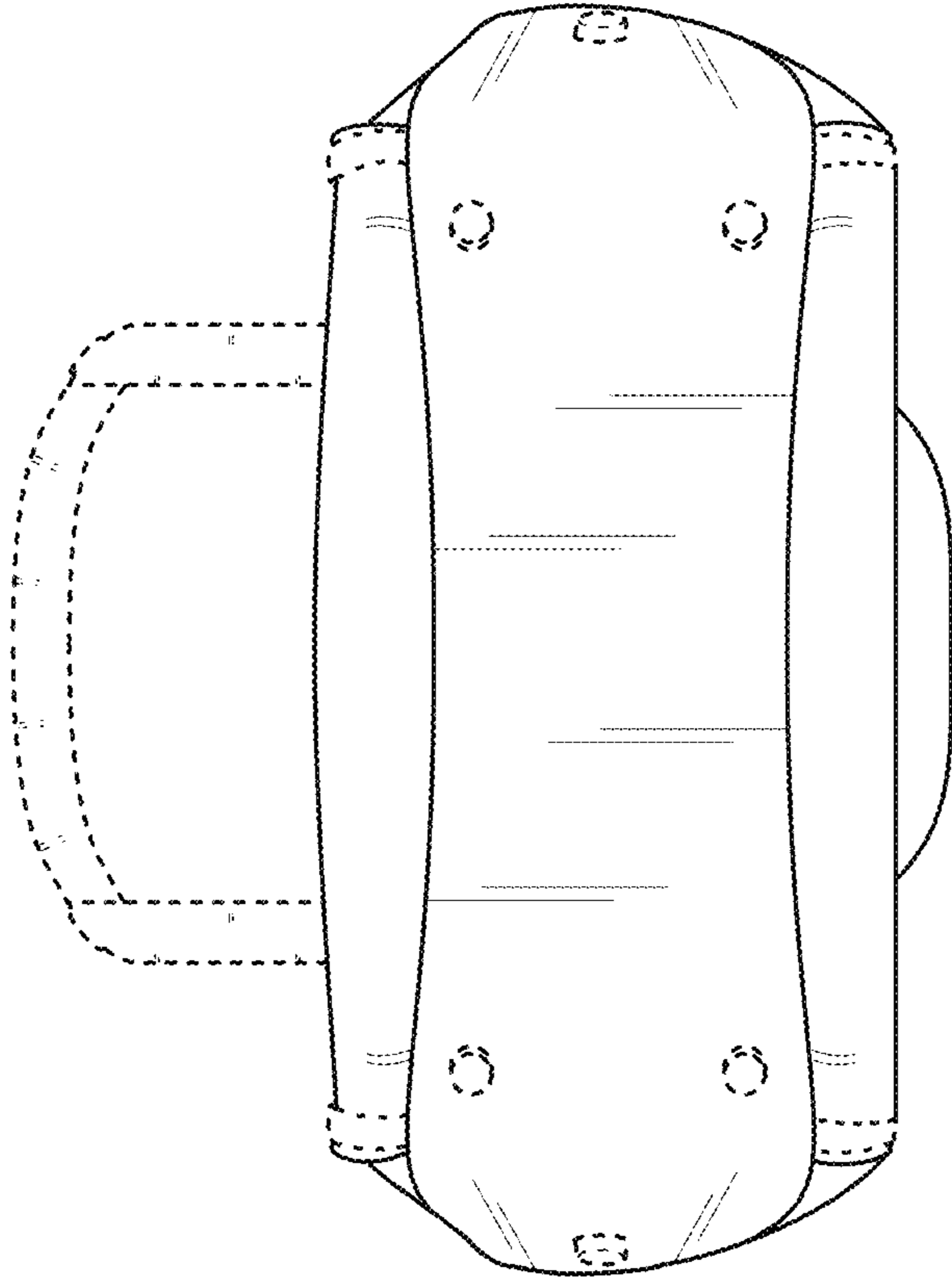


FIG. 6

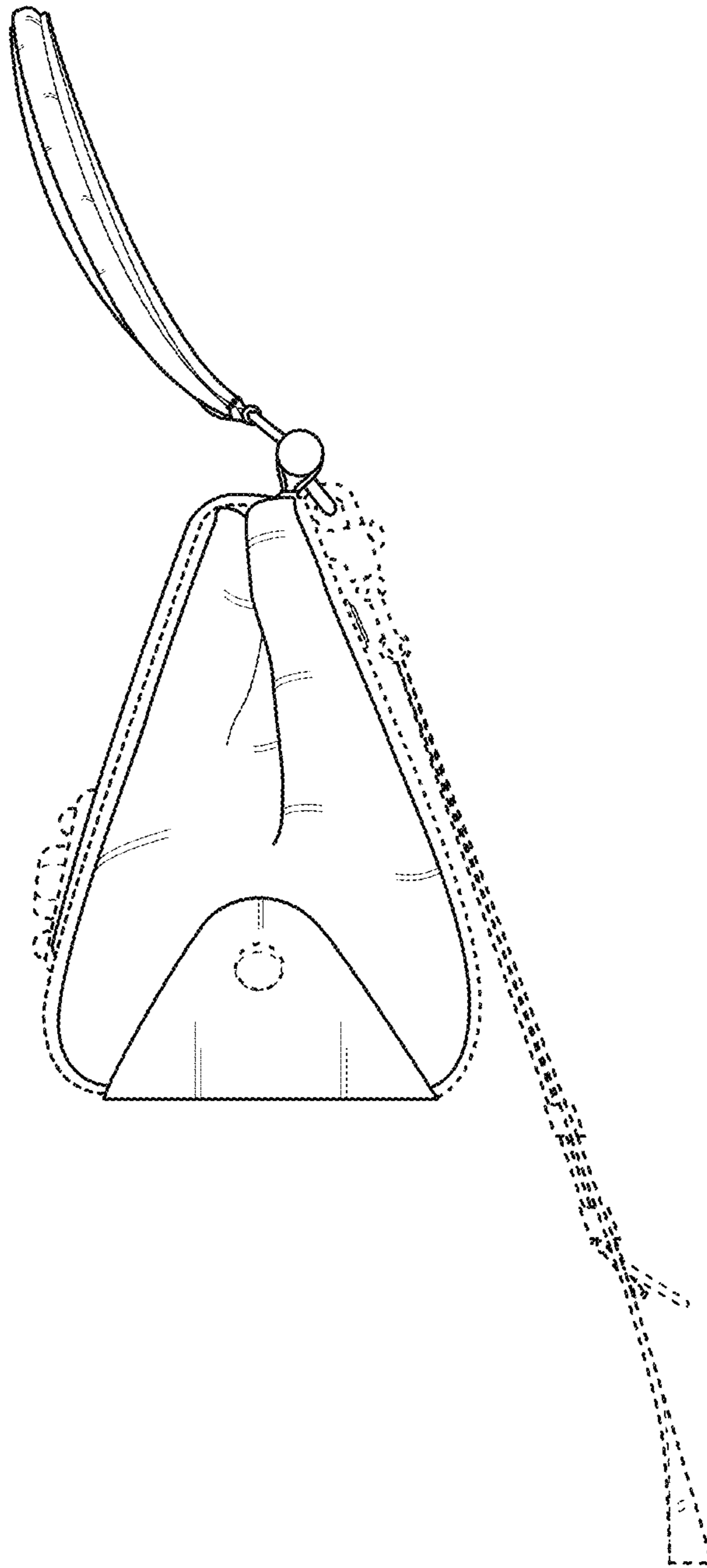


FIG. 7

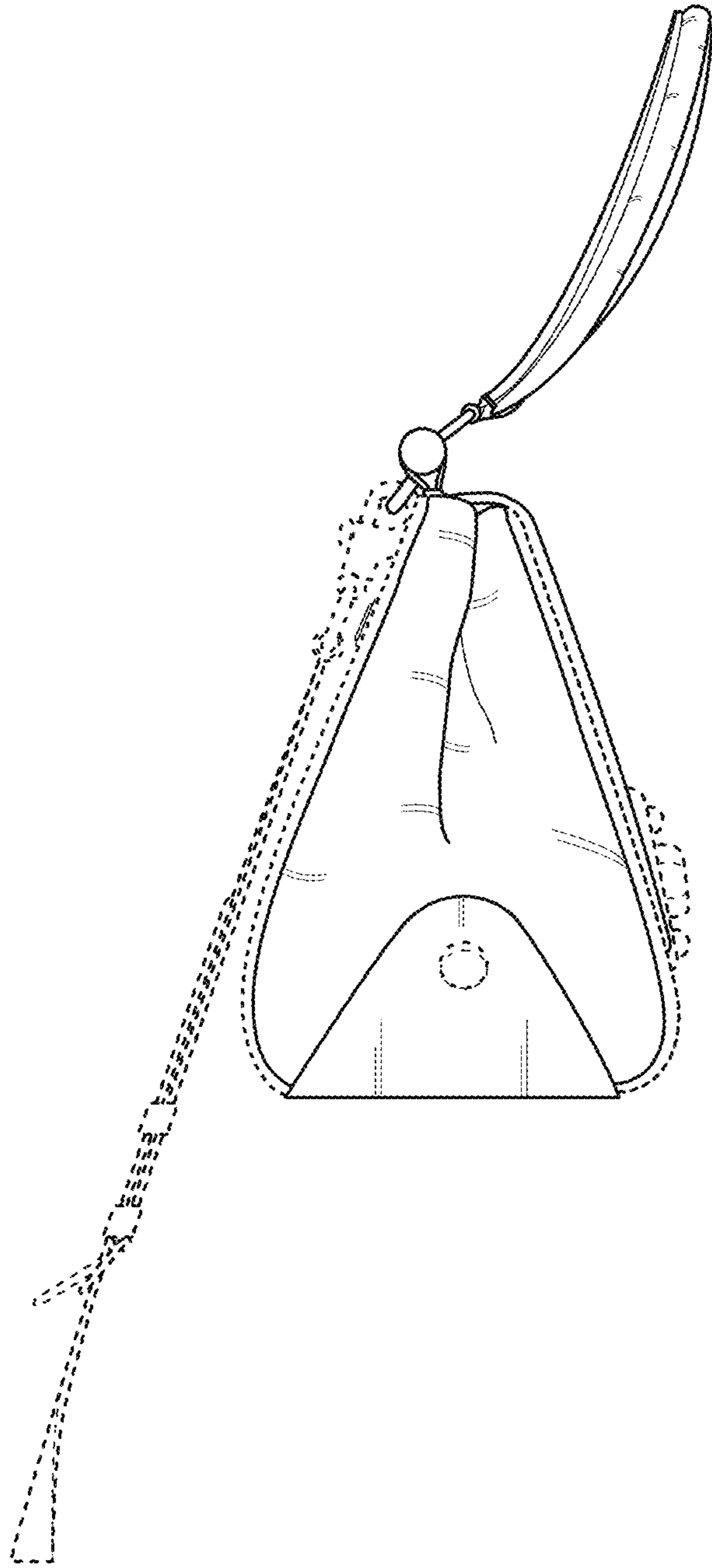


FIG. 8

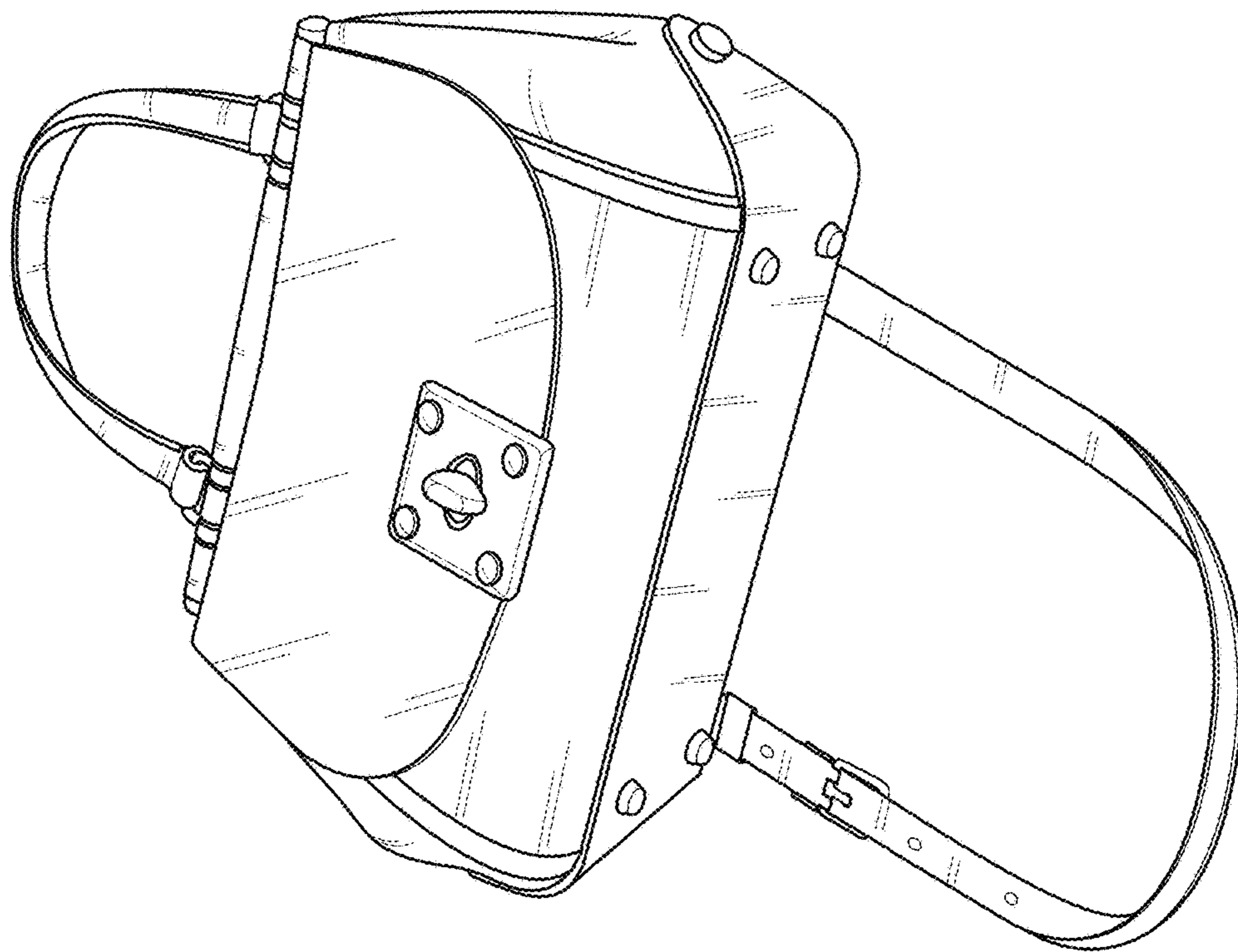


FIG. 9

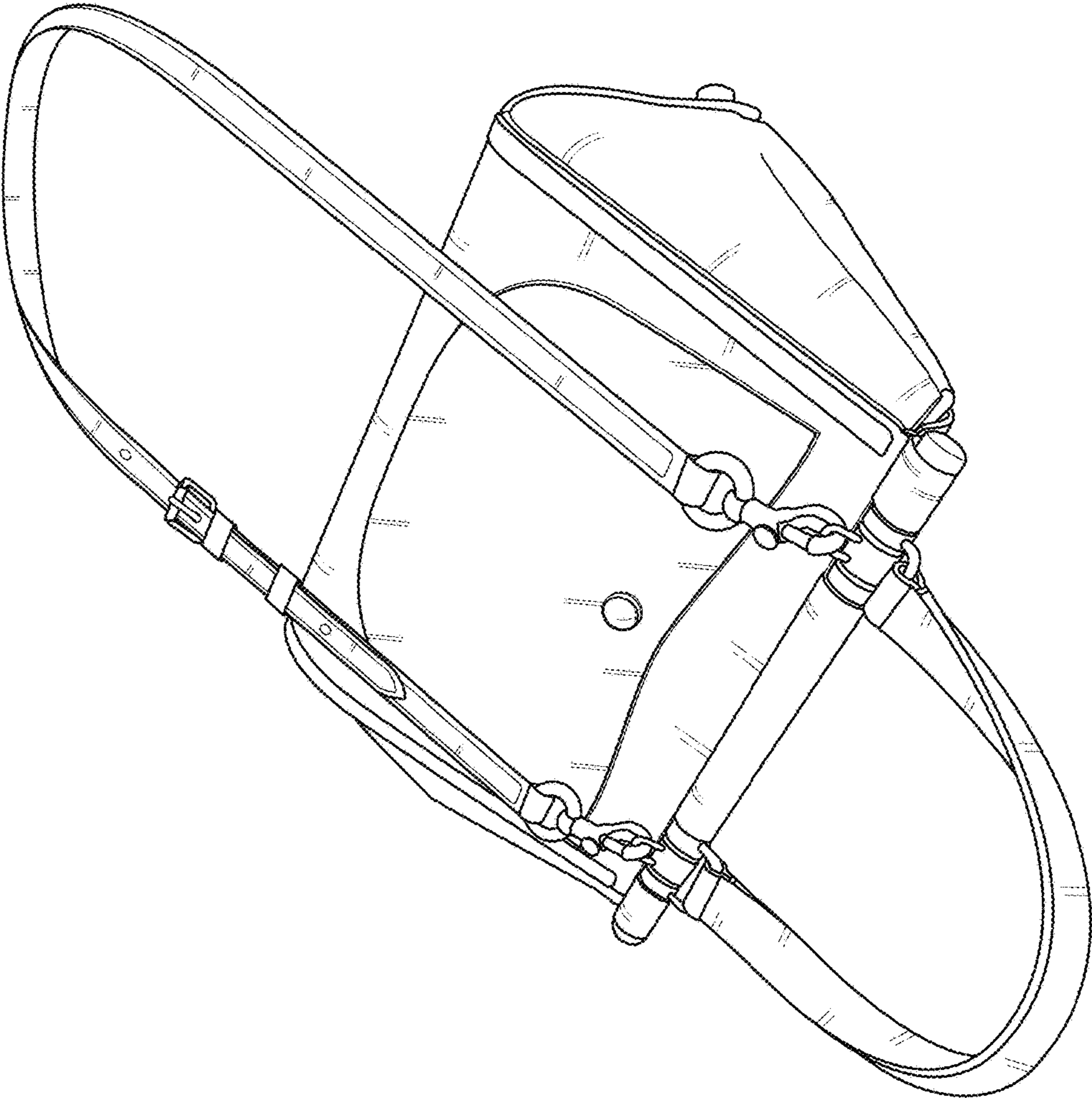


FIG. 10

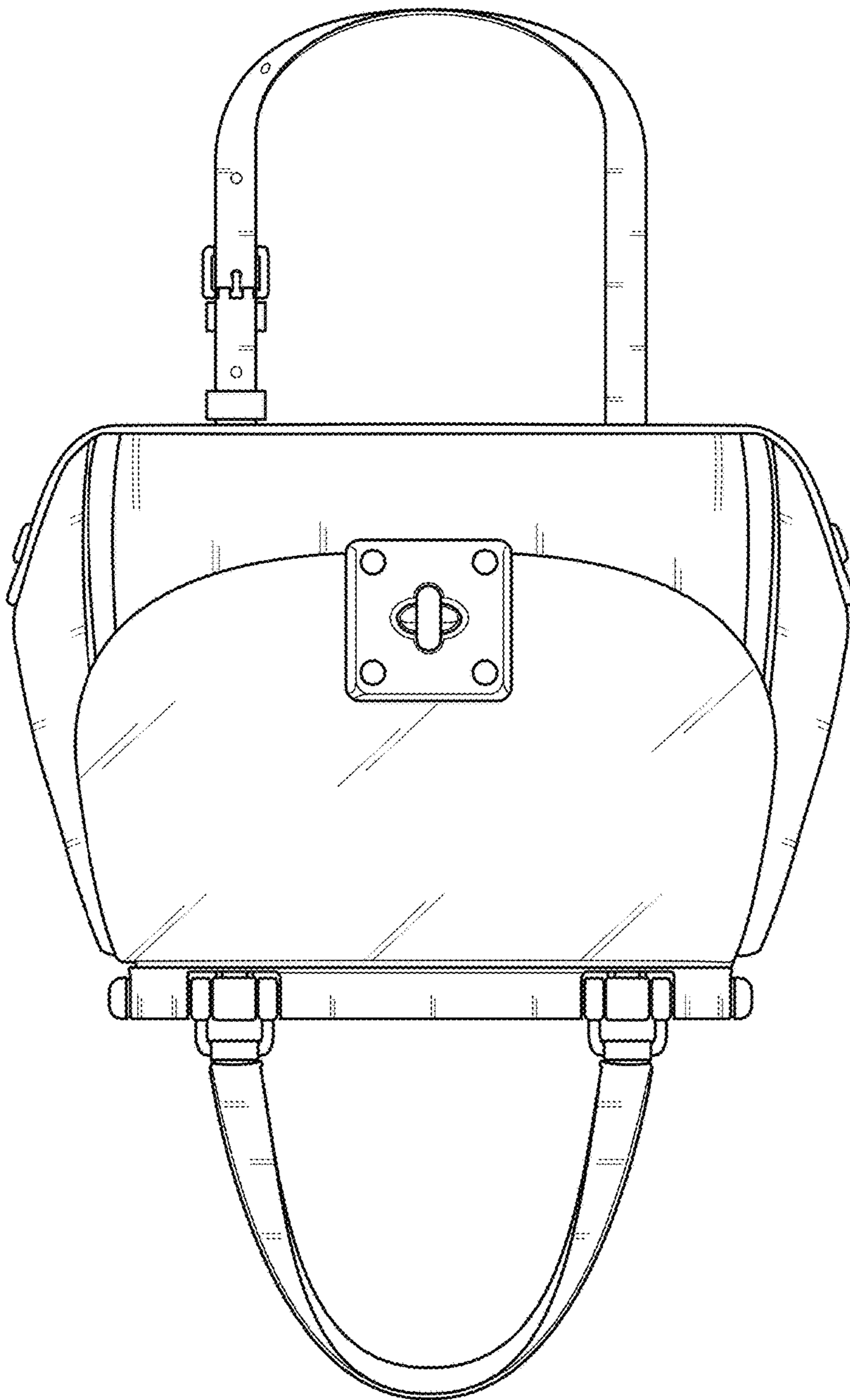


FIG. 11

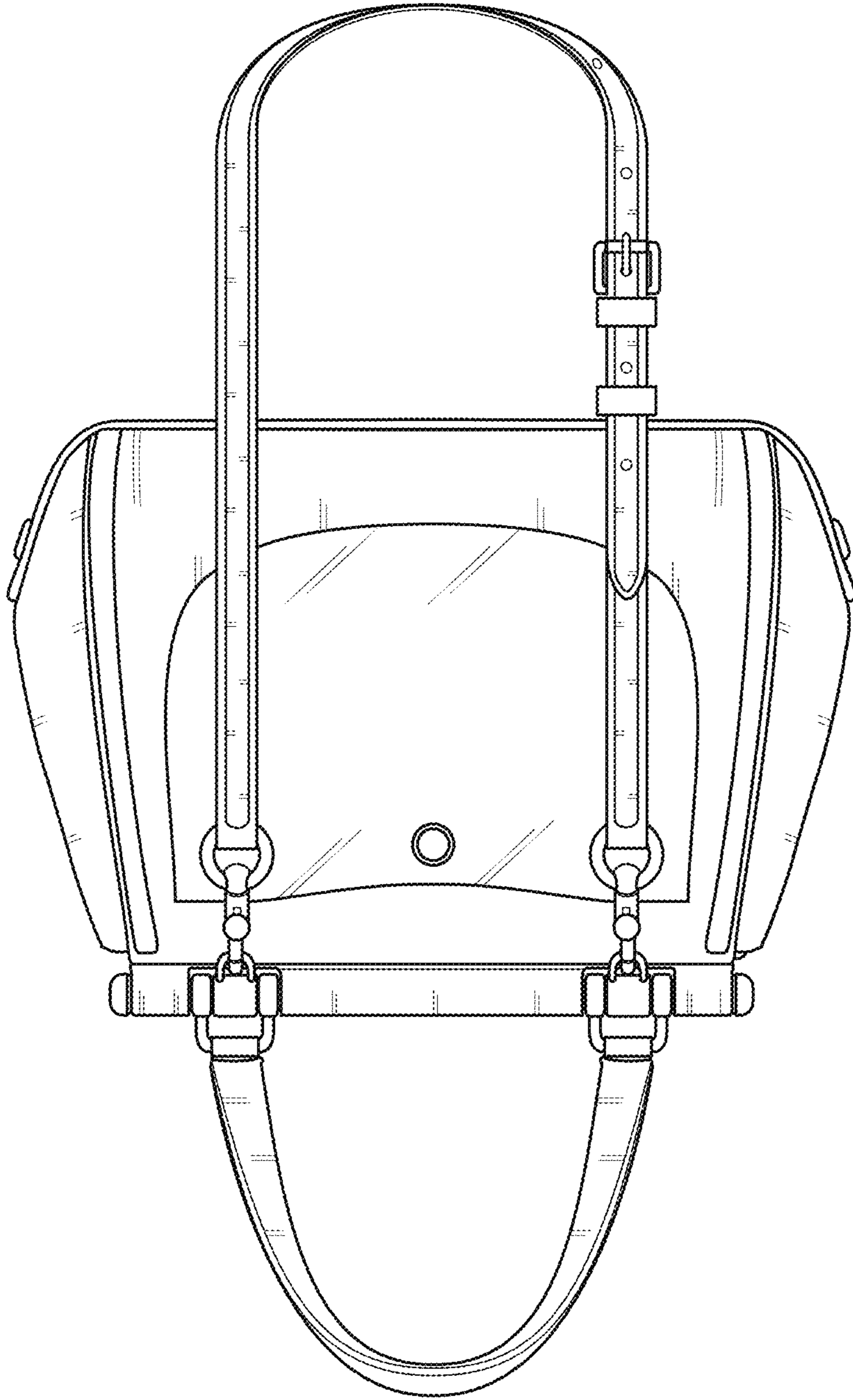


FIG. 12

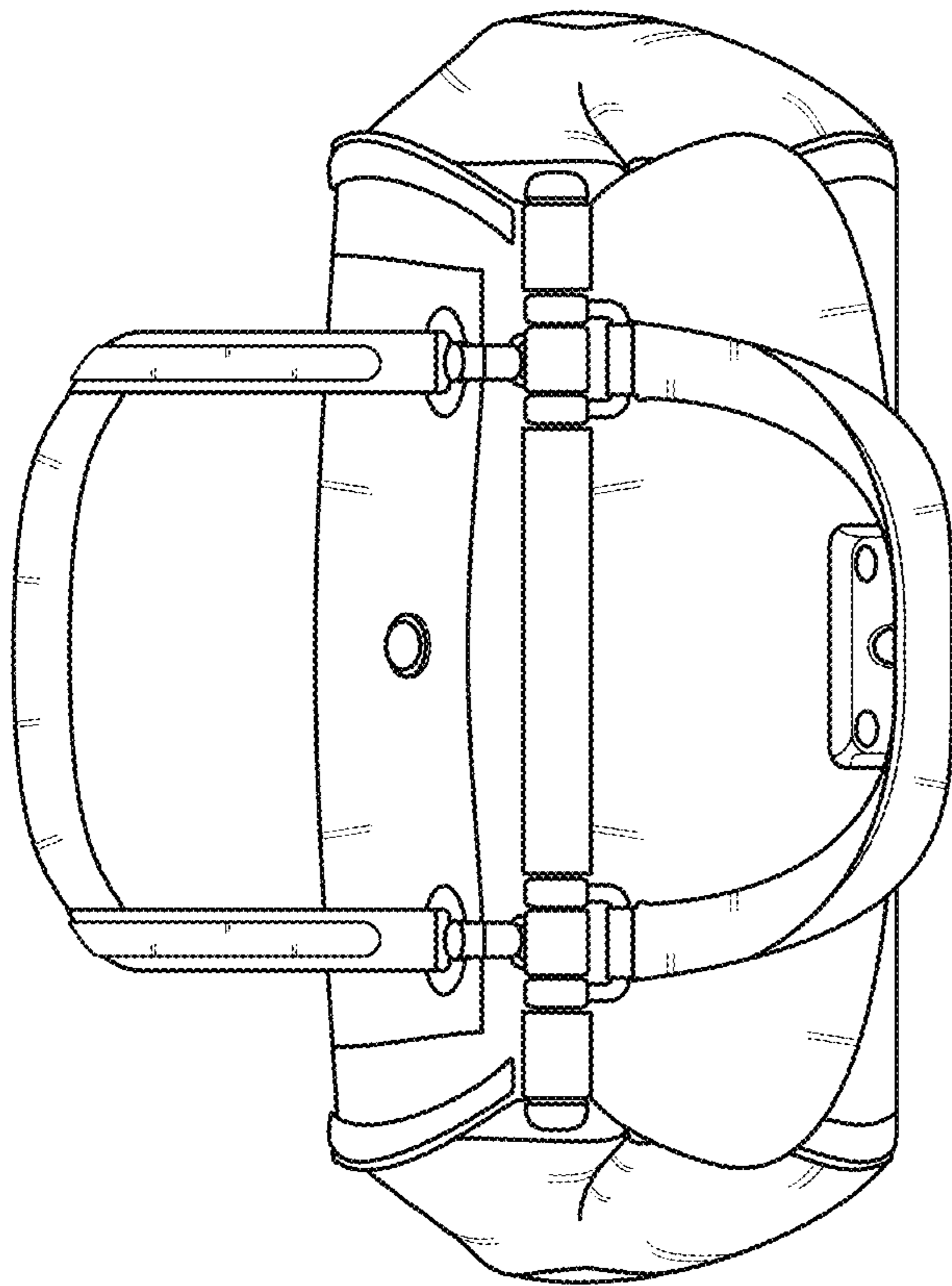


FIG. 13

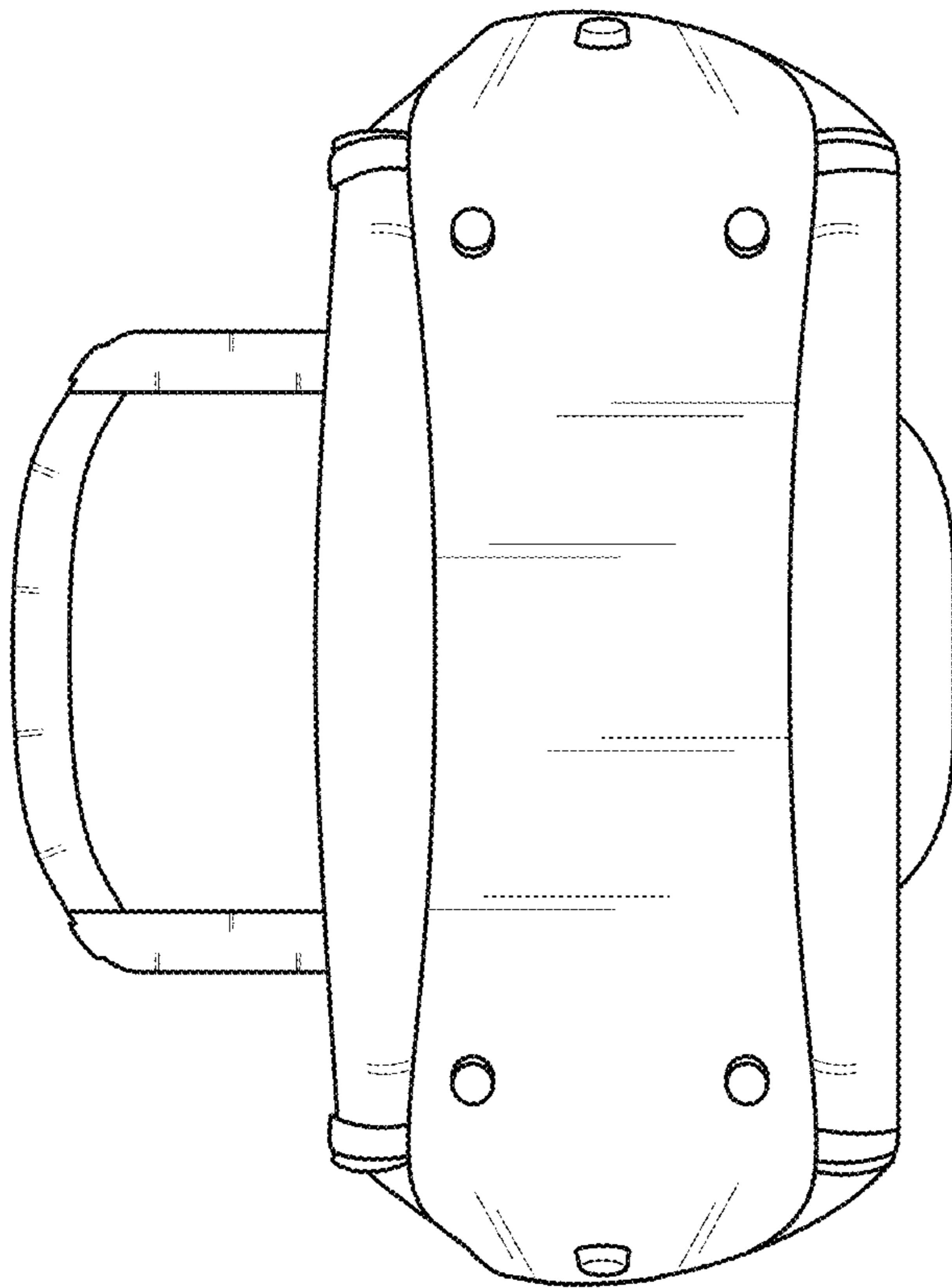


FIG. 14

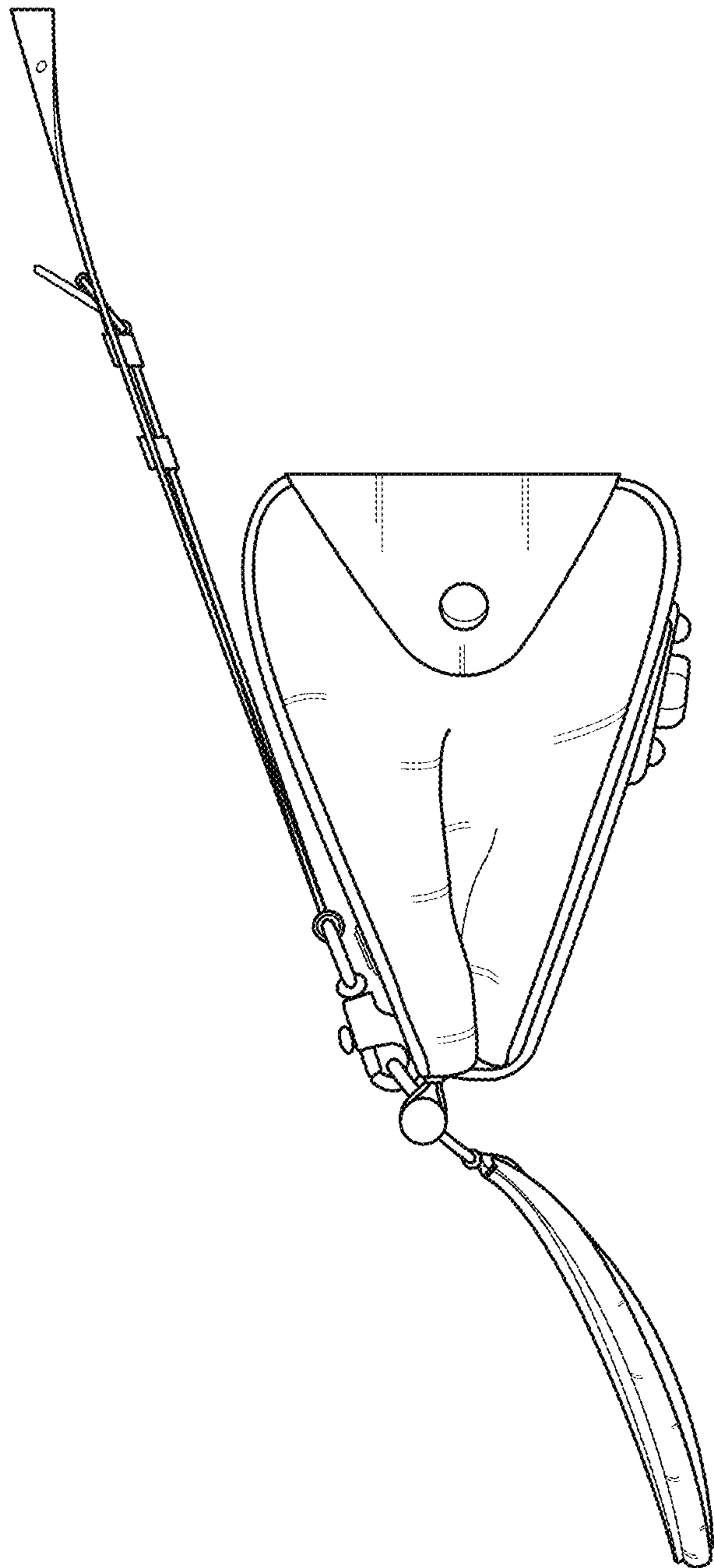


FIG. 15

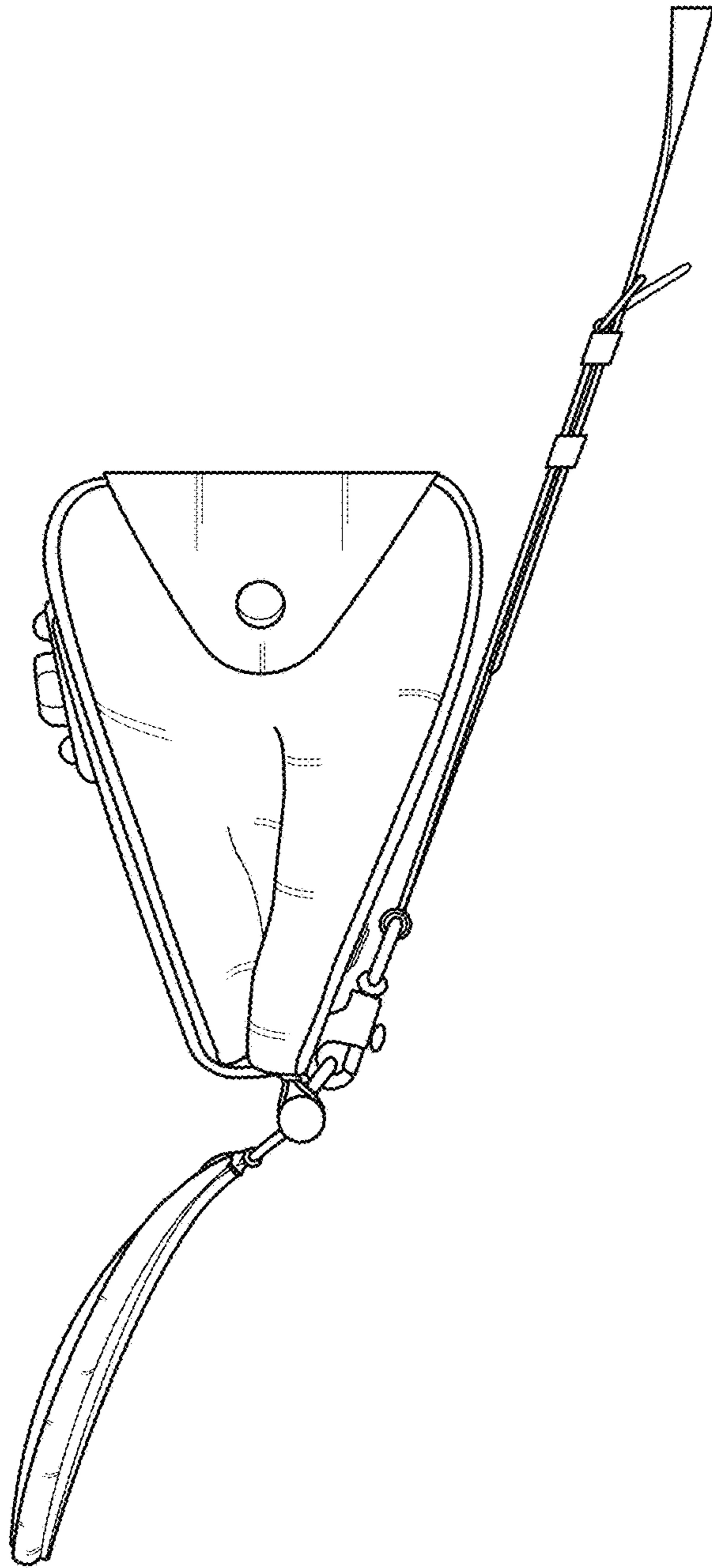


FIG. 16