



US00D802916S

(12) **United States Design Patent**
Koutsolioutsos

(10) **Patent No.:** **US D802,916 S**

(45) **Date of Patent:** **** Nov. 21, 2017**

(54) **WALLET**

(71) Applicant: **Folli-Follie Commercial Manufacturing and Technical Societe Anonyme, Athens (GR)**

(72) Inventor: **Dimitrios Koutsolioutsos, Attica (GR)**

(73) Assignee: **FOLLI-FOLLIE COMMERCIAL MANUFACTURING AND TECHNICAL SOCIETE ANONYME, Athens (GR)**

(**) Term: **15 Years**

(21) Appl. No.: **29/532,428**

(22) Filed: **Jul. 7, 2015**

(30) **Foreign Application Priority Data**

Jan. 7, 2015 (EM) 002609404-0012

(51) **LOC (10) Cl.** **03-01**

(52) **U.S. Cl.**
USPC **D3/232; D3/237; D3/243**

(58) **Field of Classification Search**
USPC D3/20, 203.6, 205, 206, 208, 226, 232, D3/245, 247-253, 303, 324
CPC A45C 1/06; A45C 3/08
See application file for complete search history.

(56) **References Cited**

U.S. PATENT DOCUMENTS

- 1,494,445 A * 5/1924 Schramm A45D 33/26
132/301
- 1,600,633 A * 9/1926 Hildebrand A45C 1/02
150/150
- D114,351 S * 4/1939 Steinman 150/143
- D126,349 S * 4/1941 Morris D3/245
- D141,986 S * 8/1945 Rubin D3/245

- 2,470,367 A * 5/1949 Palma A45C 1/02
150/106
- D220,022 S * 2/1971 White D3/250
- D247,930 S * 5/1978 Glaser D3/245
- D283,938 S * 5/1986 Strongwater D3/245
- D383,903 S * 9/1997 Kopel D3/233
- D395,750 S * 7/1998 Dominique D3/226
- D418,975 S * 1/2000 Nastasi D3/232
- D439,040 S * 3/2001 Vazquez D3/233
- D496,786 S * 10/2004 Wolf D3/215
- D528,295 S * 9/2006 Harvey D3/252
- D546,555 S * 7/2007 Oner D3/215
- D582,156 S * 12/2008 Gonzalez D3/245

(Continued)

Primary Examiner — Susan E Krakower

Assistant Examiner — Lisa A Grabenstetter

(74) *Attorney, Agent, or Firm* — Fredrikson & Byron, P.A.

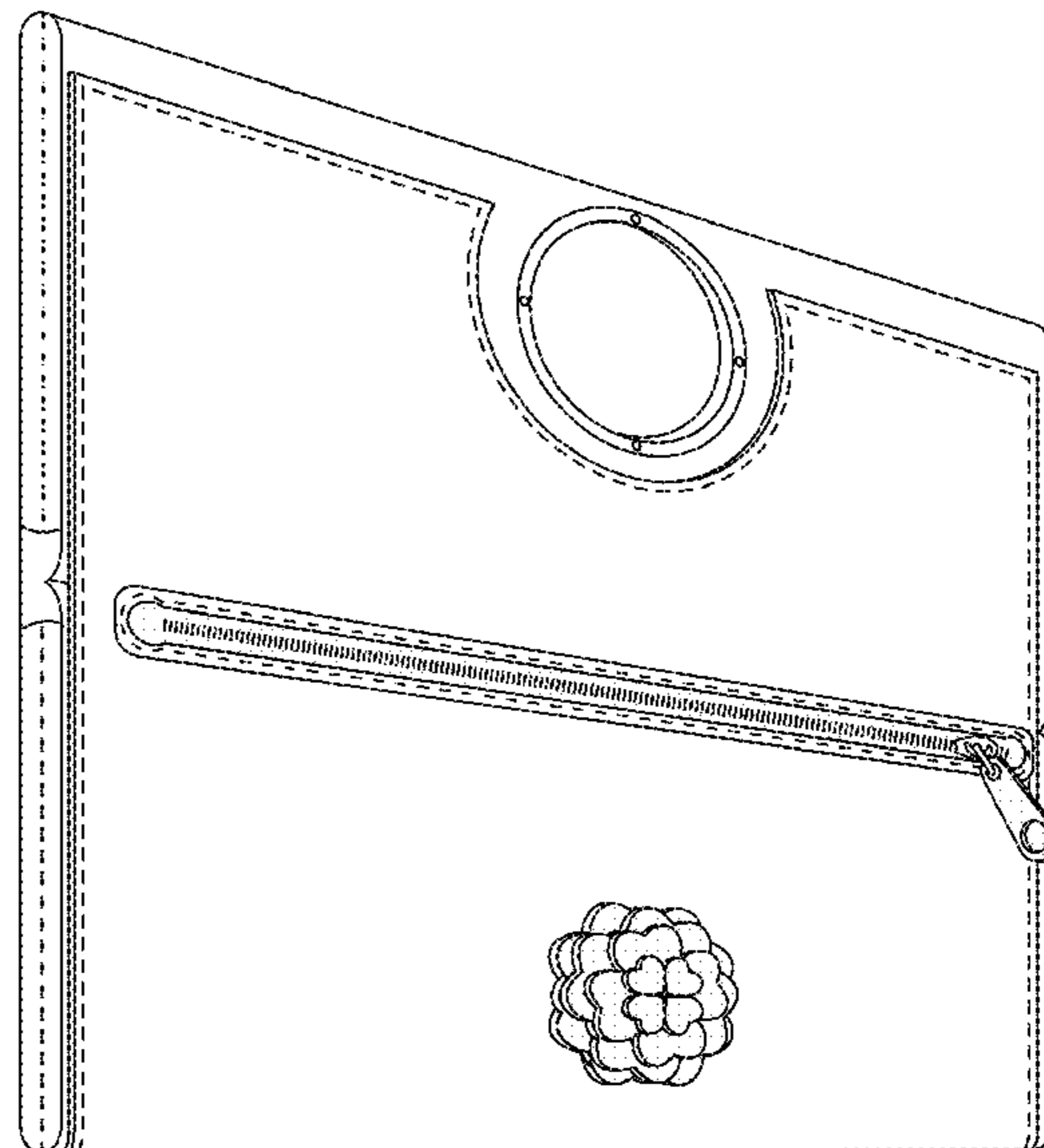
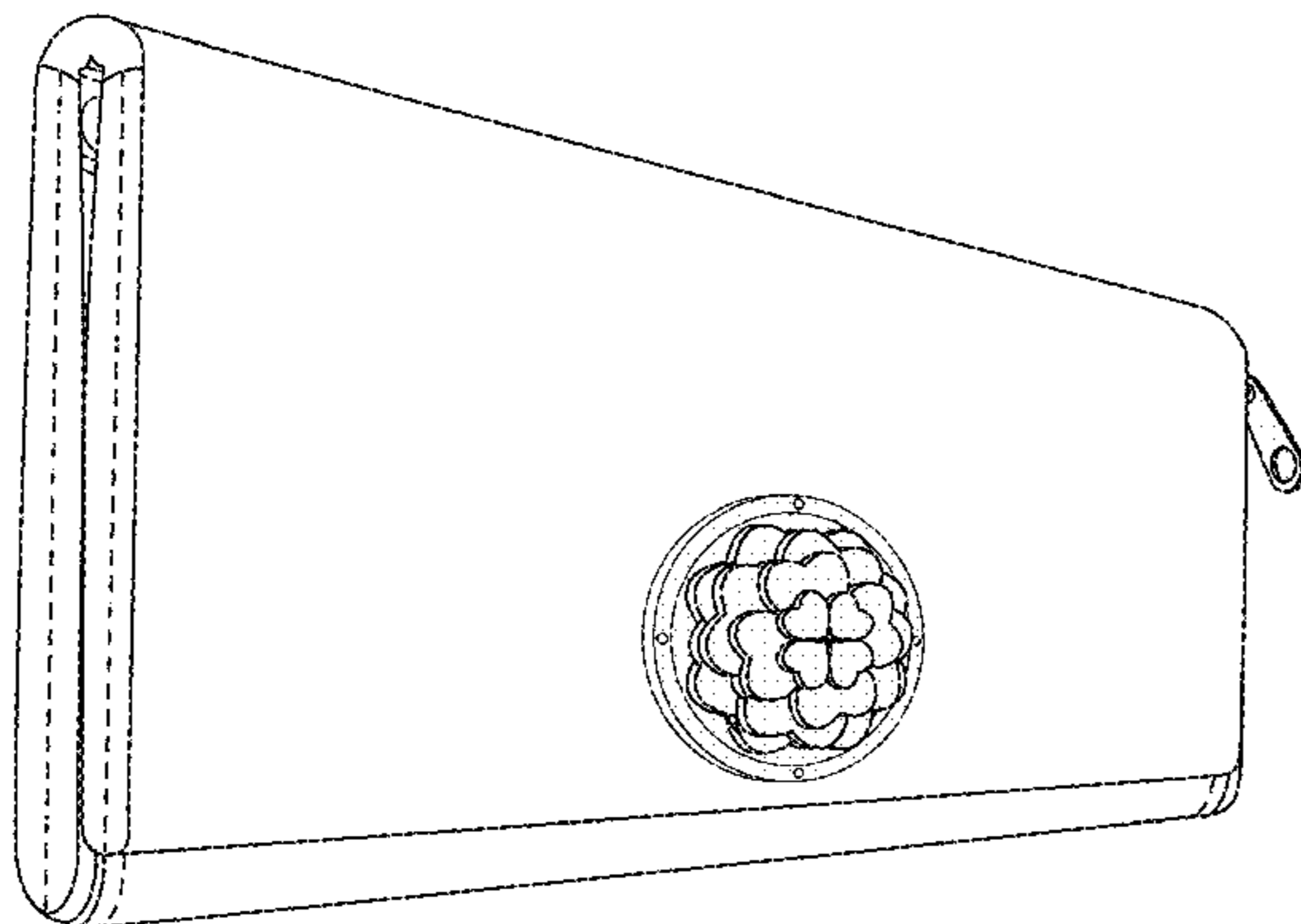
(57) **CLAIM**

I claim the ornamental design for a wallet, as shown and described.

DESCRIPTION

FIG. 1 is a front perspective view of a wallet showing my new design, in a closed configuration;
 FIG. 2 is a front view thereof in a closed configuration;
 FIG. 3 is a rear view thereof in a closed configuration;
 FIG. 4 is a top view thereof in a closed configuration;
 FIG. 5 is a bottom view thereof in a closed configuration;
 FIG. 6 is an right side view thereof in a closed configuration;
 FIG. 7 is an left side view thereof in a closed configuration;
 FIG. 8 is a front perspective view in an open configuration;
 FIG. 9 is a front view thereof in an open configuration;
 FIG. 10 is a right side view thereof in an open configuration;
 and,
 FIG. 11 is an left side view thereof in an open configuration.
 The broken lines represent unclaimed stitching.

1 Claim, 11 Drawing Sheets



(56)

References Cited

U.S. PATENT DOCUMENTS

D584,895 S * 1/2009 Holzner D3/247
D609,457 S * 2/2010 Blanford D3/208
D703,433 S * 4/2014 Morszeck D3/247

* cited by examiner

Fig. 1

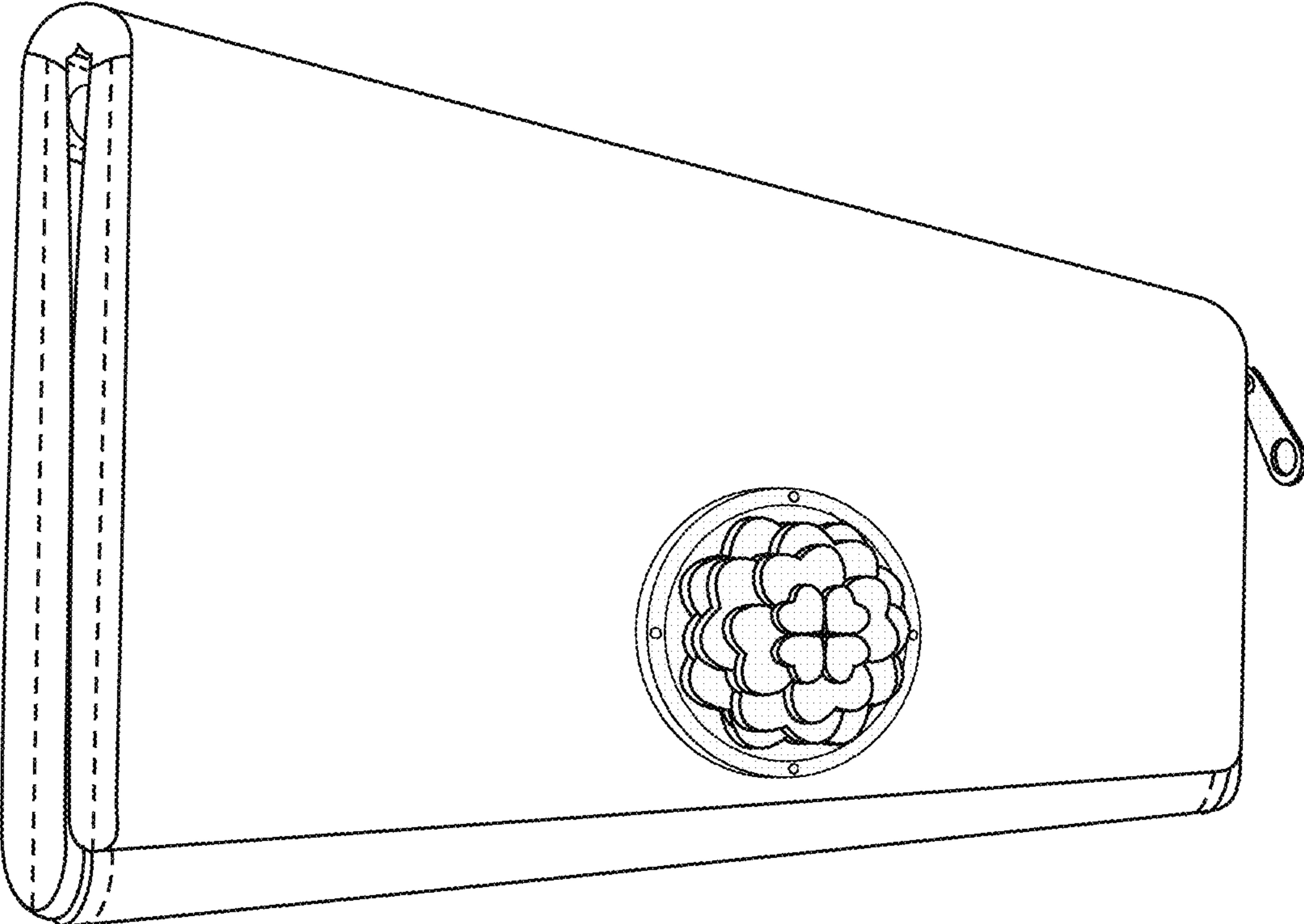


Fig. 2

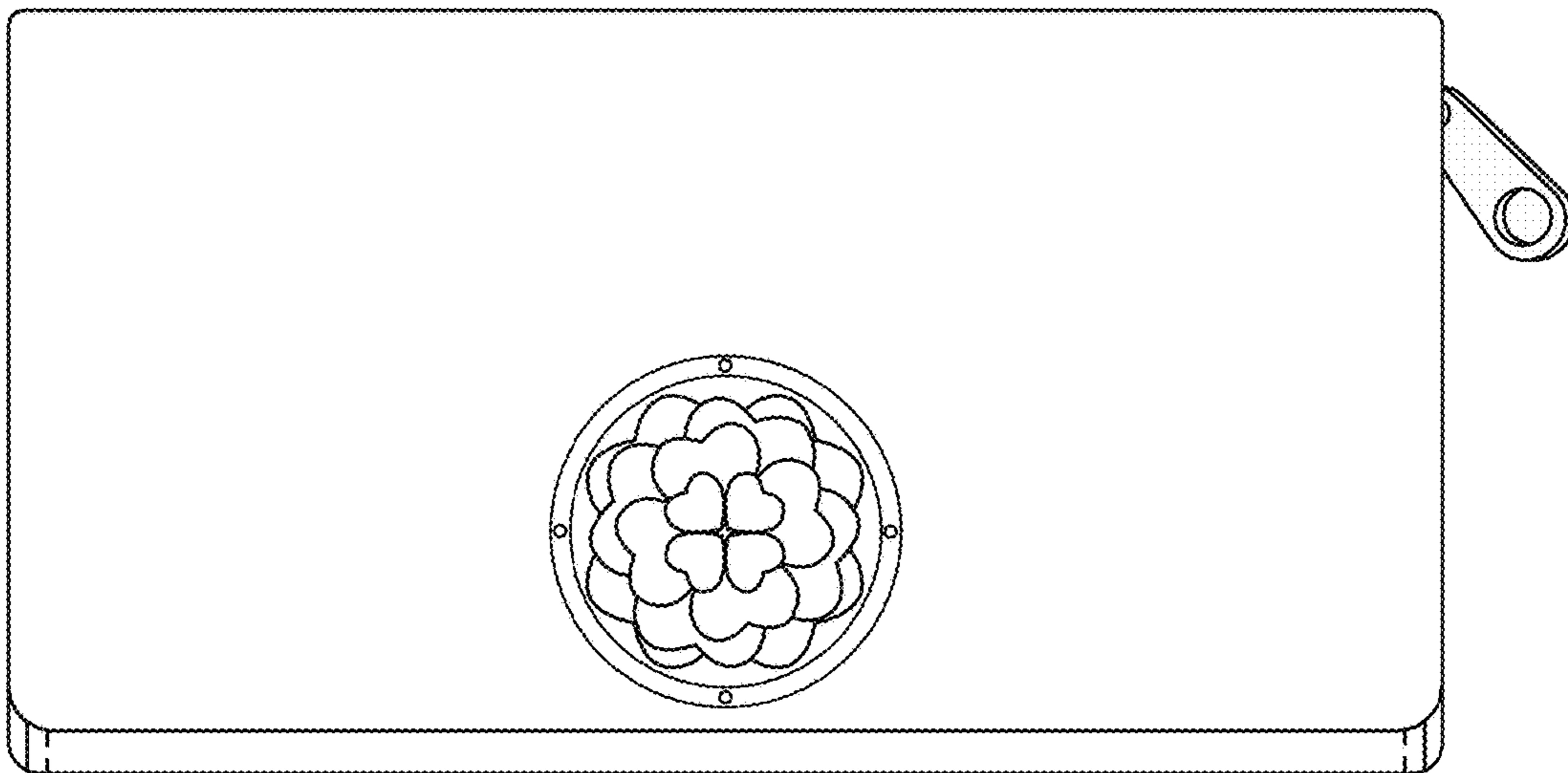


Fig. 3



Fig. 4

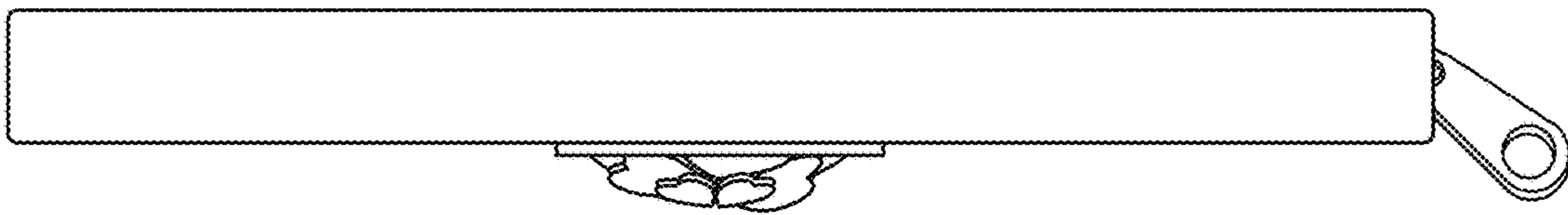


Fig. 5

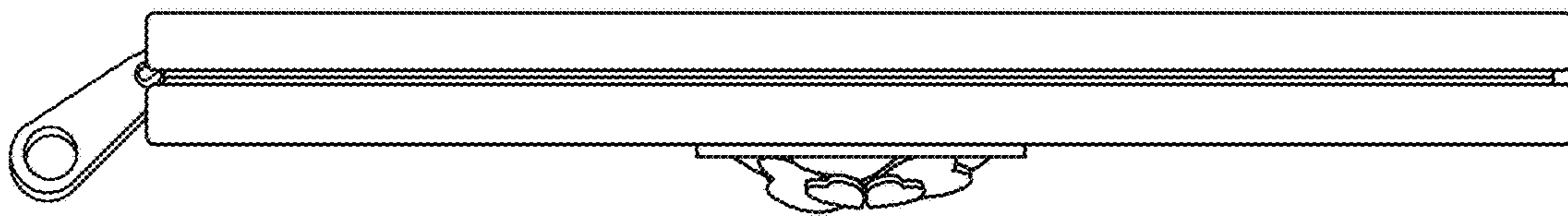


Fig. 6

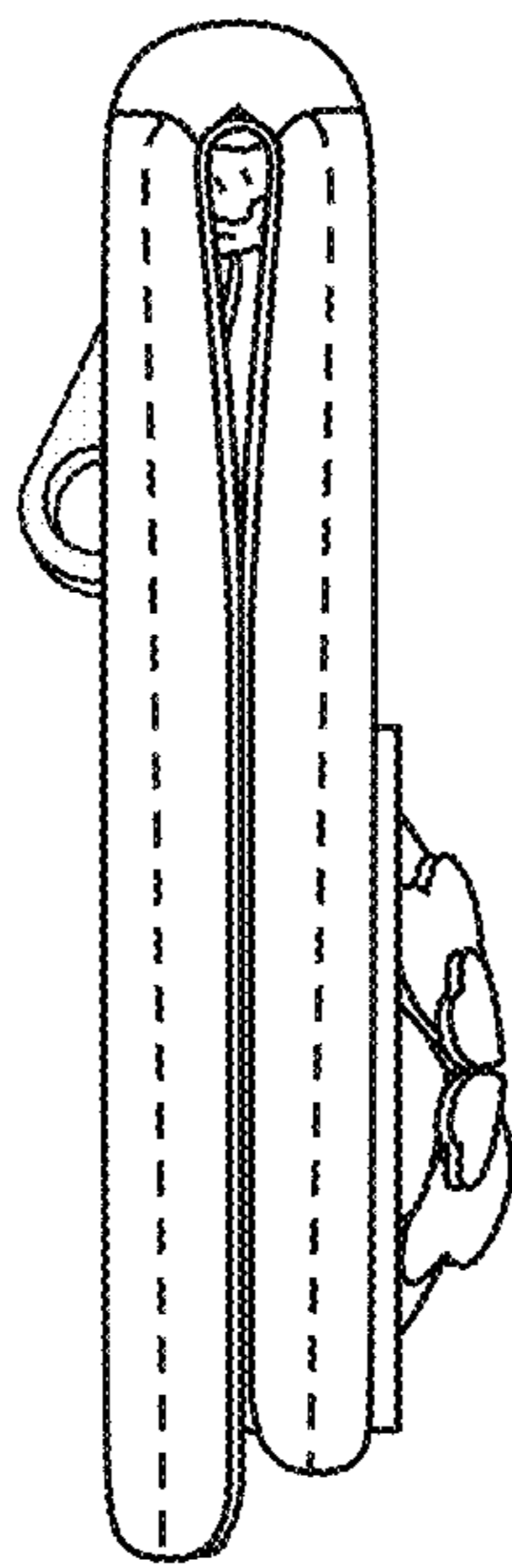


Fig. 7

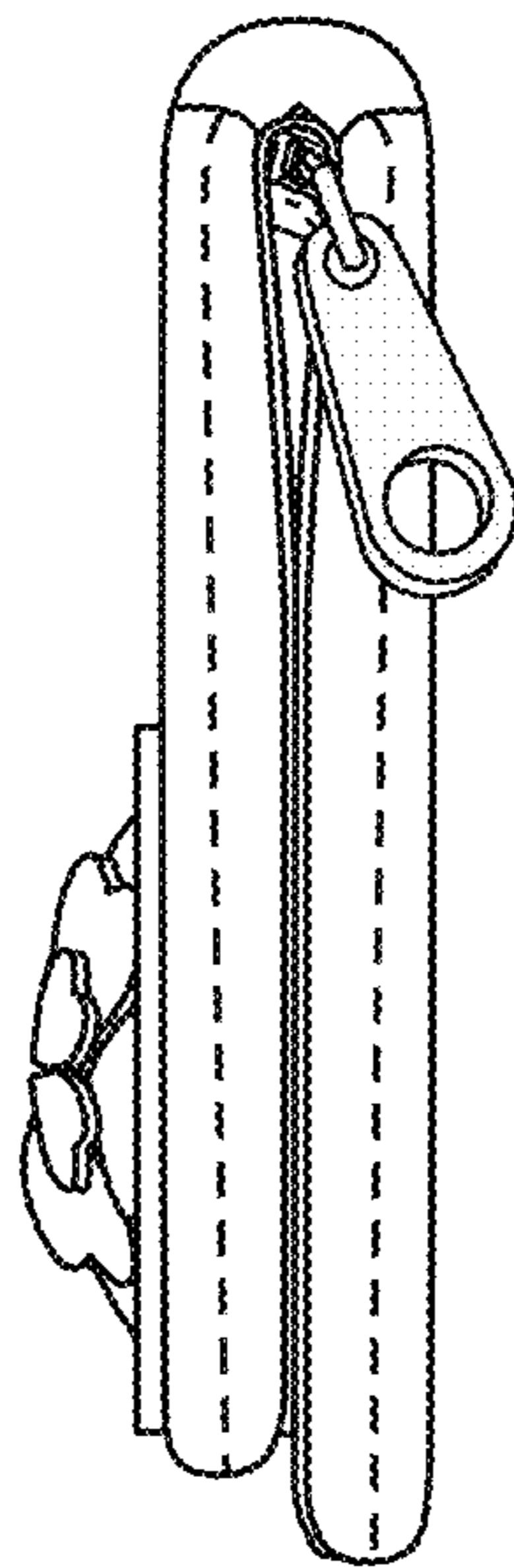


Fig. 8

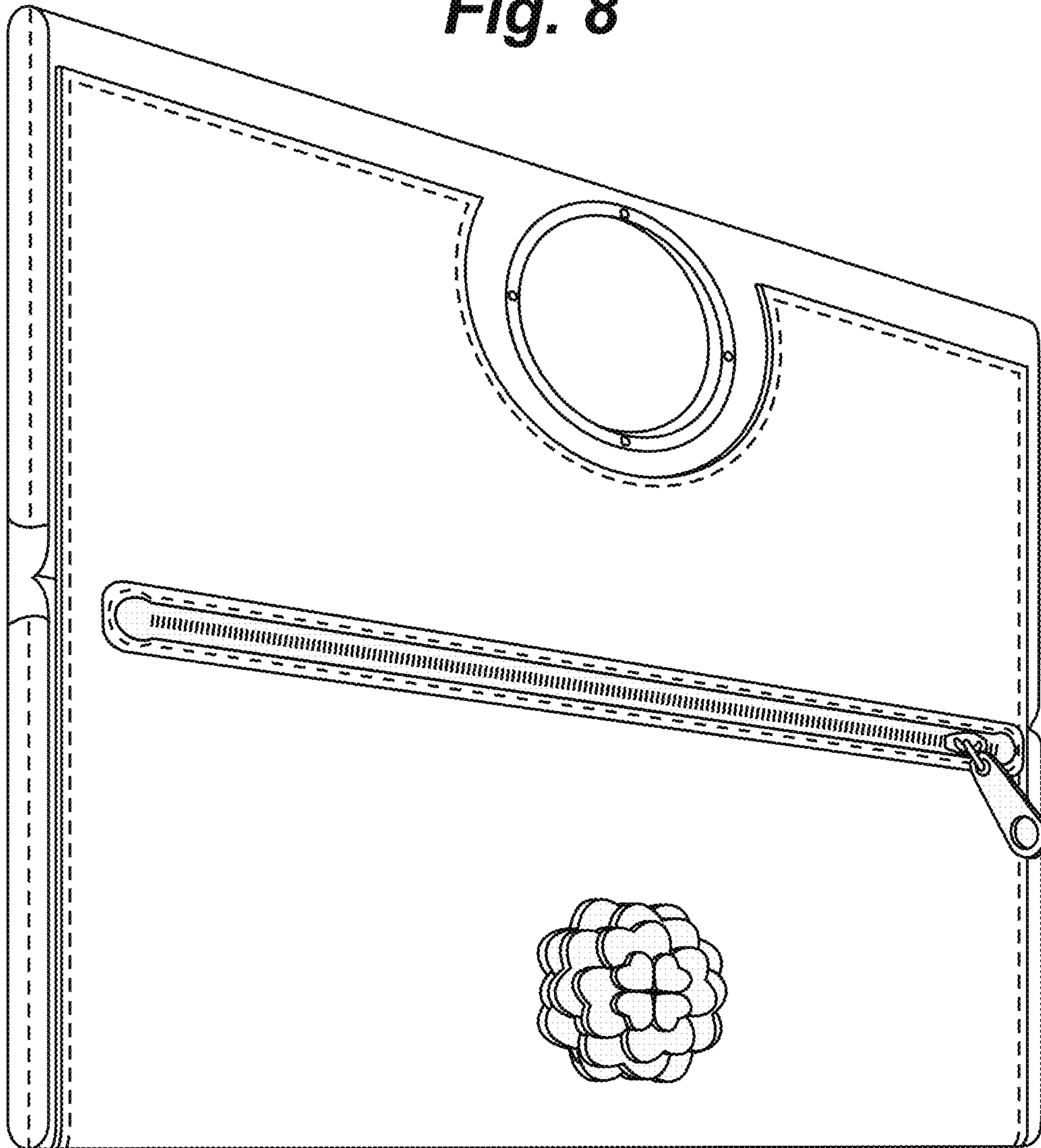


Fig. 9

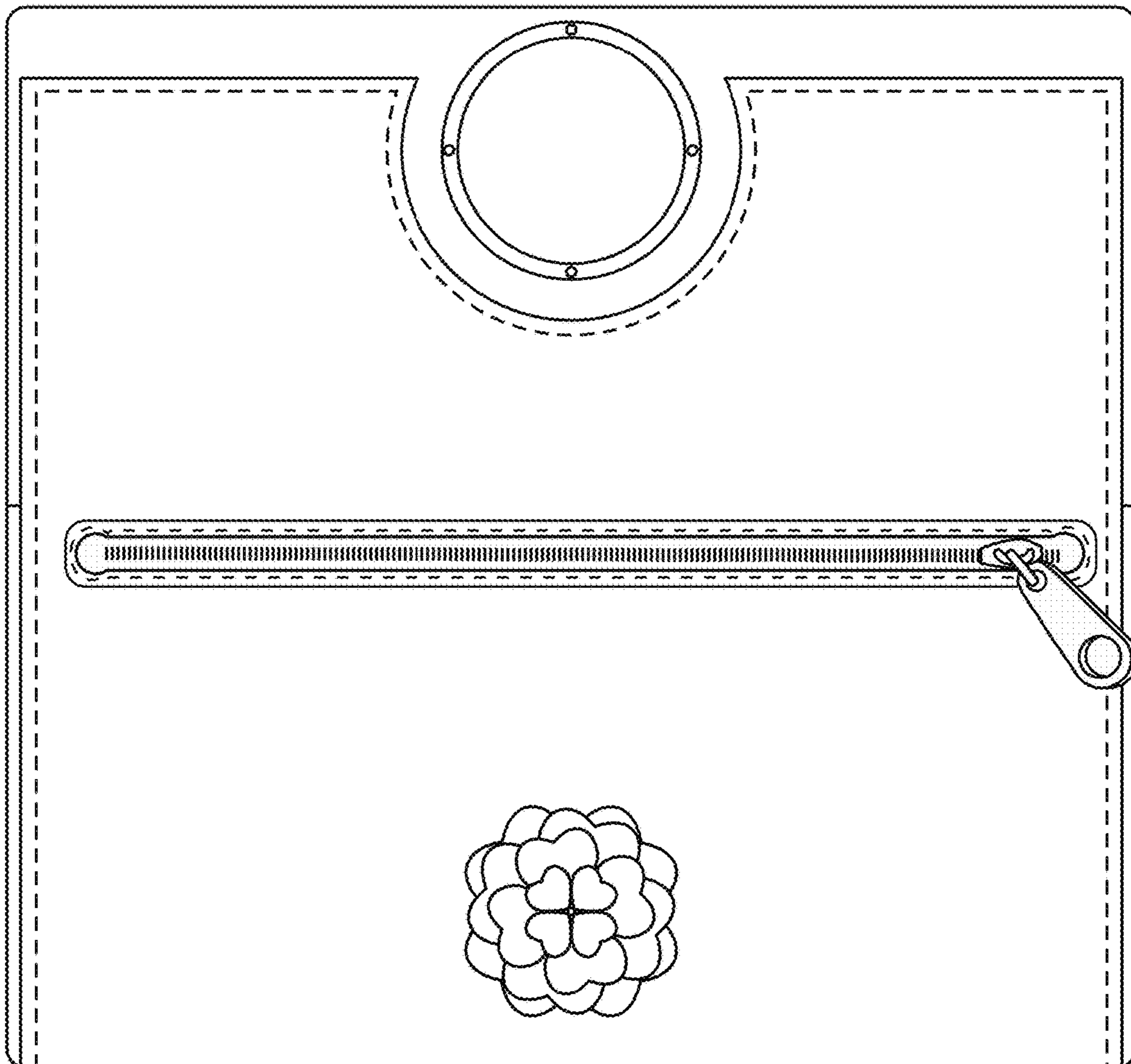


Fig. 10

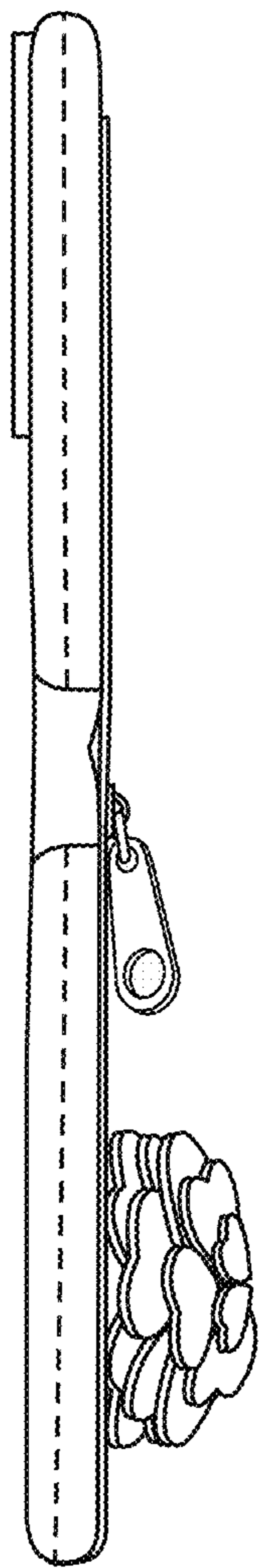


Fig. 11

