



US00D802914S

(12) **United States Design Patent**  
**Sereday et al.**

(10) **Patent No.:** **US D802,914 S**

(45) **Date of Patent:** **\*\* Nov. 21, 2017**

(54) **HOLSTER**

D776,919 S \* 1/2017 Tate ..... D3/222  
D784,008 S \* 4/2017 Rogers ..... D3/222

(71) Applicant: **VISTA OUTDOOR OPERATIONS LLC**, Clearfield, UT (US)

\* cited by examiner

(72) Inventors: **Daniel Sereday**, Belgrade, MT (US);  
**Paul Smith**, Bozeman, MT (US);  
**Christopher Michael**, Belgrade, MT (US);  
**Robert Kincaid**, Manhattan, MT (US)

*Primary Examiner* — Catherine R Oliver-Garcia  
(74) *Attorney, Agent, or Firm* — Christensen, Fonder,  
Dardi & Herbert PLLC

(73) Assignee: **Vista Outdoor Operations LLC**,  
Farmington, UT (US)

(57) **CLAIM**

We claim the ornamental design for holster, as shown and described.

(\*\*) Term: **14 Years**

**DESCRIPTION**

(21) Appl. No.: **29/521,233**

(22) Filed: **Mar. 20, 2015**

(51) **LOC (10) Cl.** ..... **03-01**

(52) **U.S. Cl.**  
USPC ..... **D3/222**

(58) **Field of Classification Search**  
USPC ..... D3/222–223; 224/183, 192–193,  
224/238–239, 243–244, 857, 672,  
224/911–912, 931  
CPC ..... A45F 5/00; A45F 2003/003; A45F  
2200/0591; A45F 2200/105; F41C  
33/0209; F41C 33/0263  
See application file for complete search history.

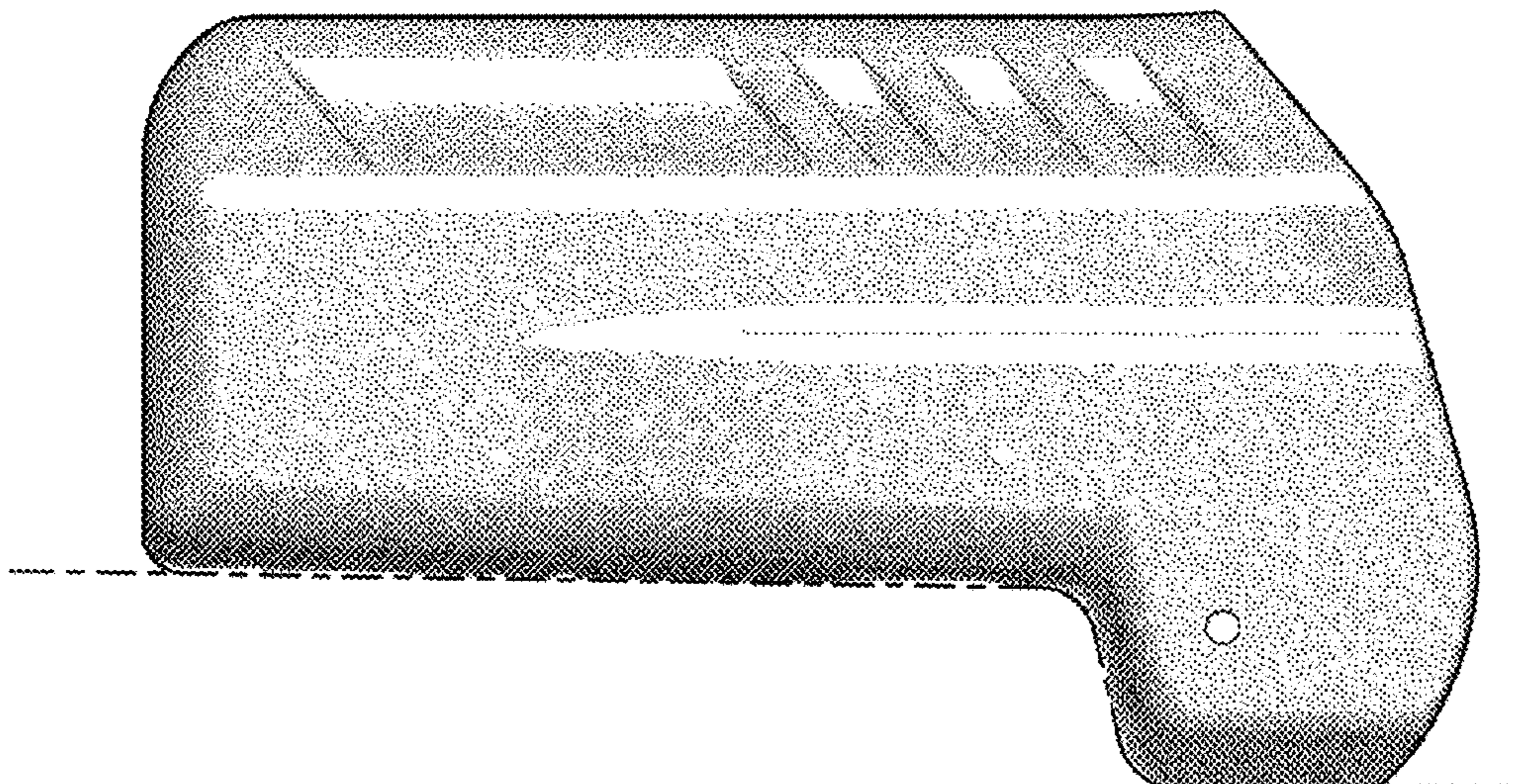
FIG. 1 is a side view of a holster according to a first embodiment of the invention.  
FIG. 2 is an opposite side view of the holster of FIG. 1.  
FIG. 3 is a front view of the holster of FIG. 1.  
FIG. 4 is a side view of a holster according to a second embodiment of the invention.  
FIG. 5 is an opposite side view of the holster of FIG. 4.  
FIG. 6 is a front view of the holster of FIG. 4.  
FIG. 7 is a side view of a holster according to a third embodiment of the invention.  
FIG. 8 is an opposite side view of the holster of FIG. 7.  
FIG. 9 is a front view of the holster of FIG. 7.  
FIG. 10 is a side view of a holster according to a fourth embodiment of the invention.  
FIG. 11 is an opposite side view of the holster of FIG. 10; and,  
FIG. 12 is a front view of the holster of FIG. 10.  
Broken lines in FIGS. 1-2, 4-5, 7-8, and 10-11 show boundaries that form no part of the claimed design.

(56) **References Cited**

**U.S. PATENT DOCUMENTS**

5,944,239 A \* 8/1999 Rogers ..... F41C 33/0209  
224/193  
D740,021 S \* 10/2015 Faifer ..... D3/222

**1 Claim, 12 Drawing Sheets**



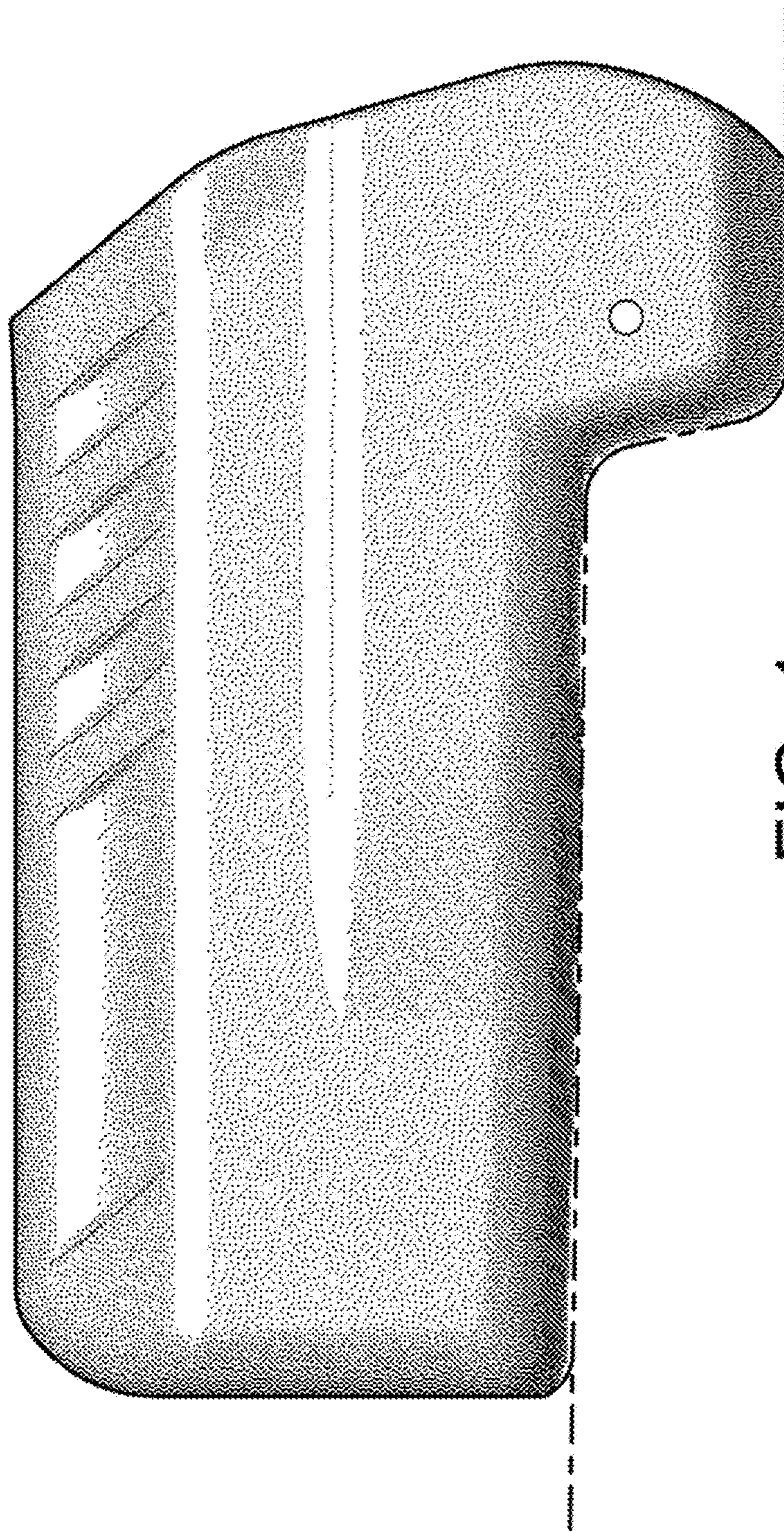


FIG. 1

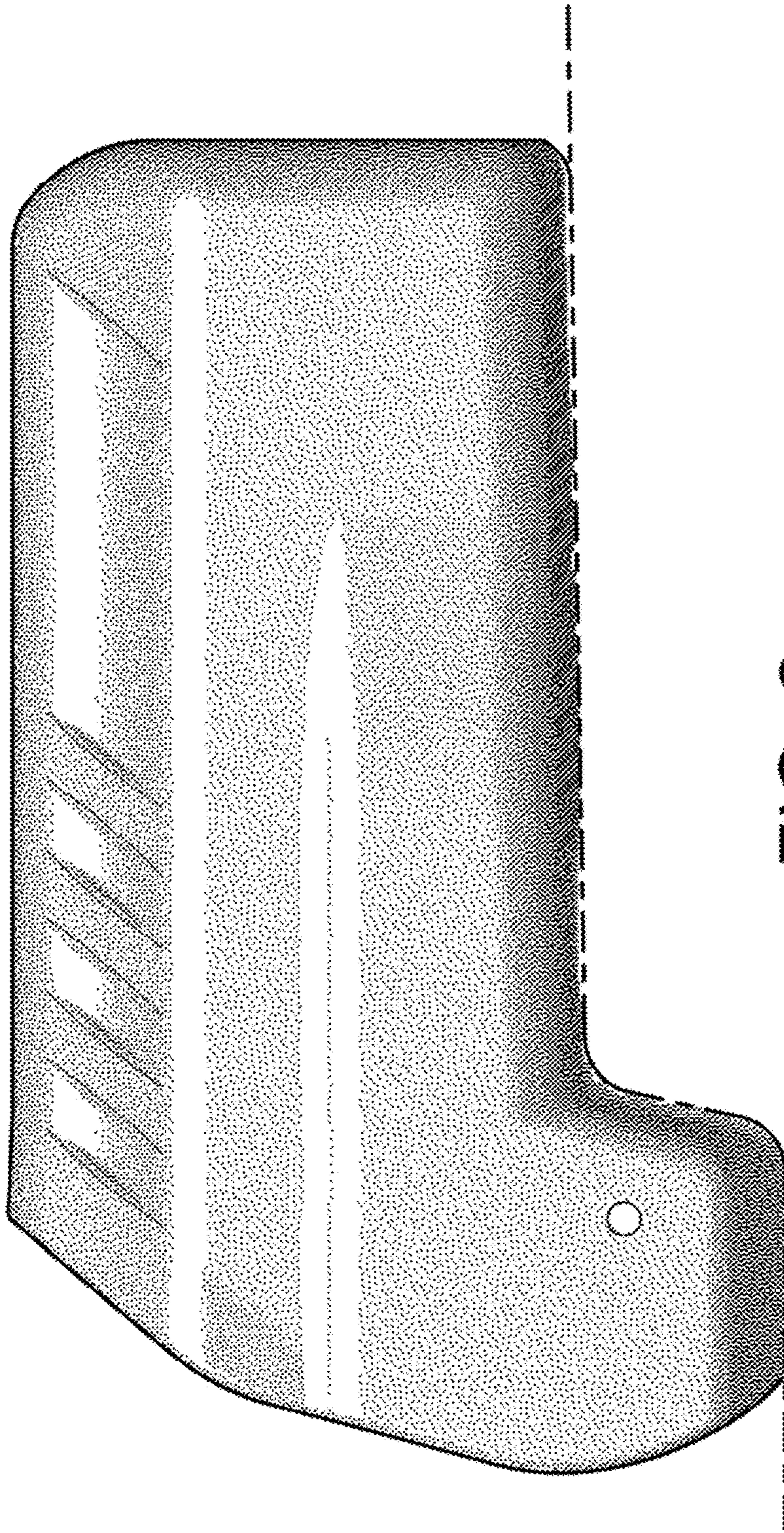


FIG. 2

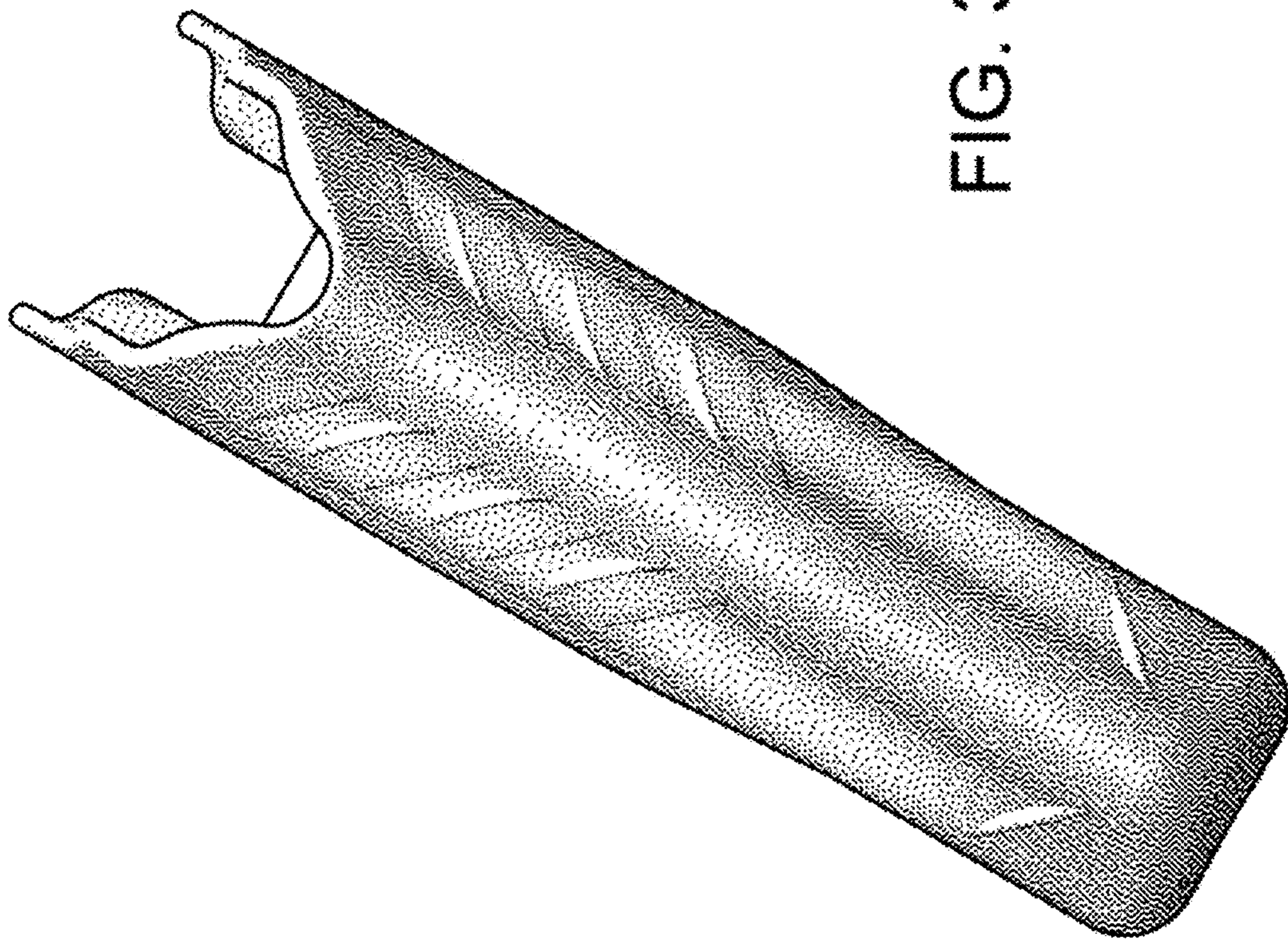


FIG. 3

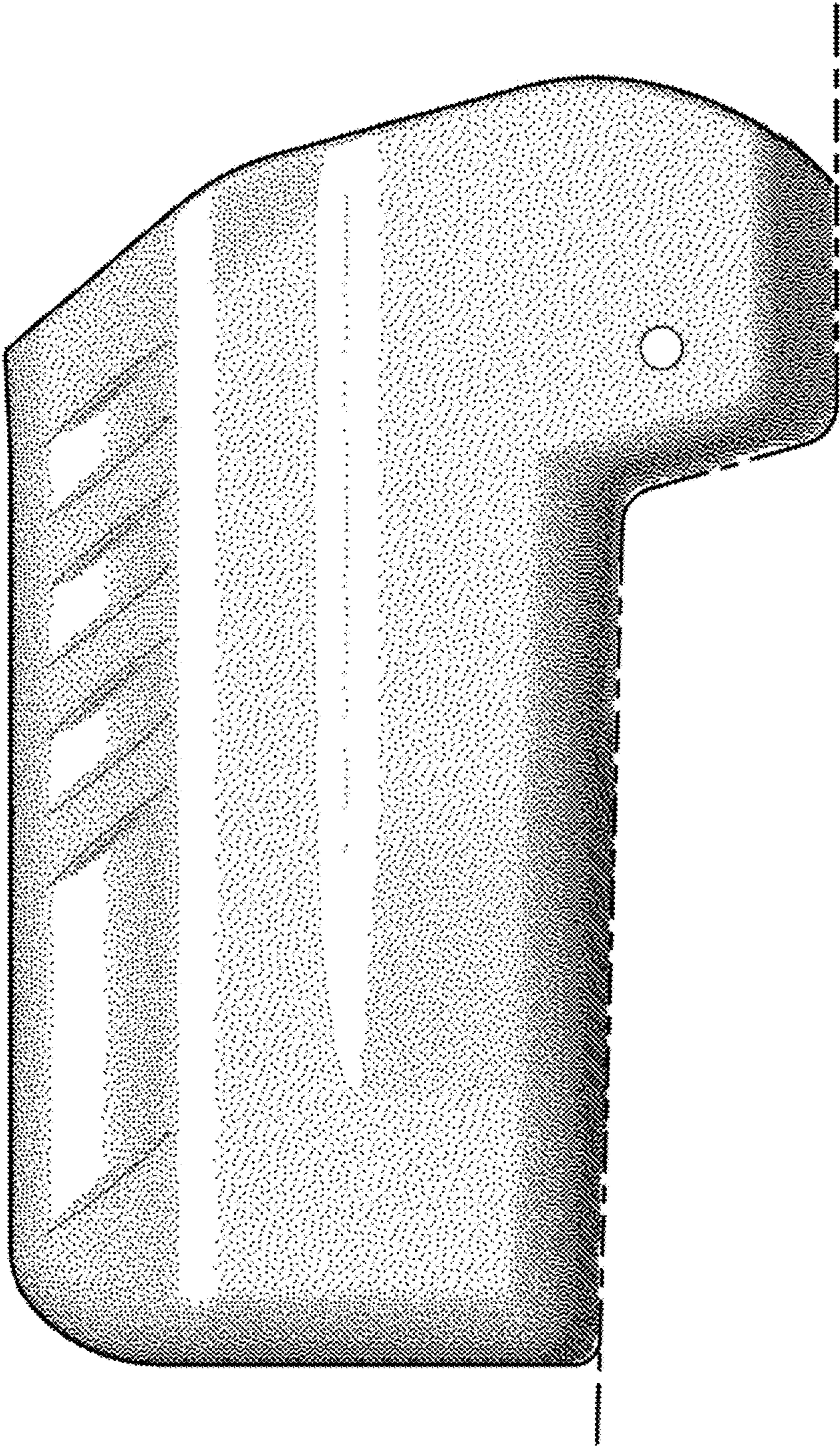


FIG. 4

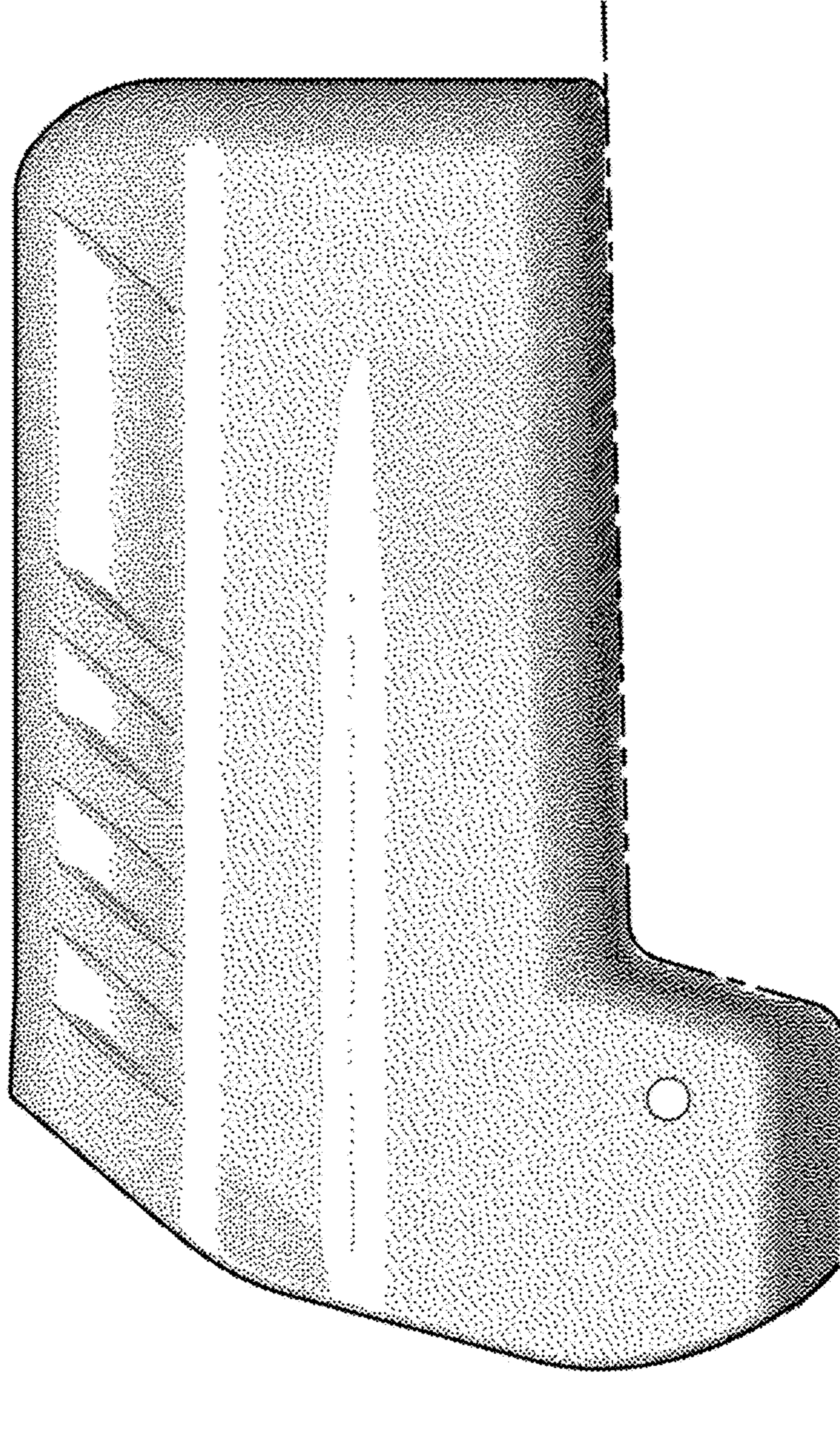


FIG. 5

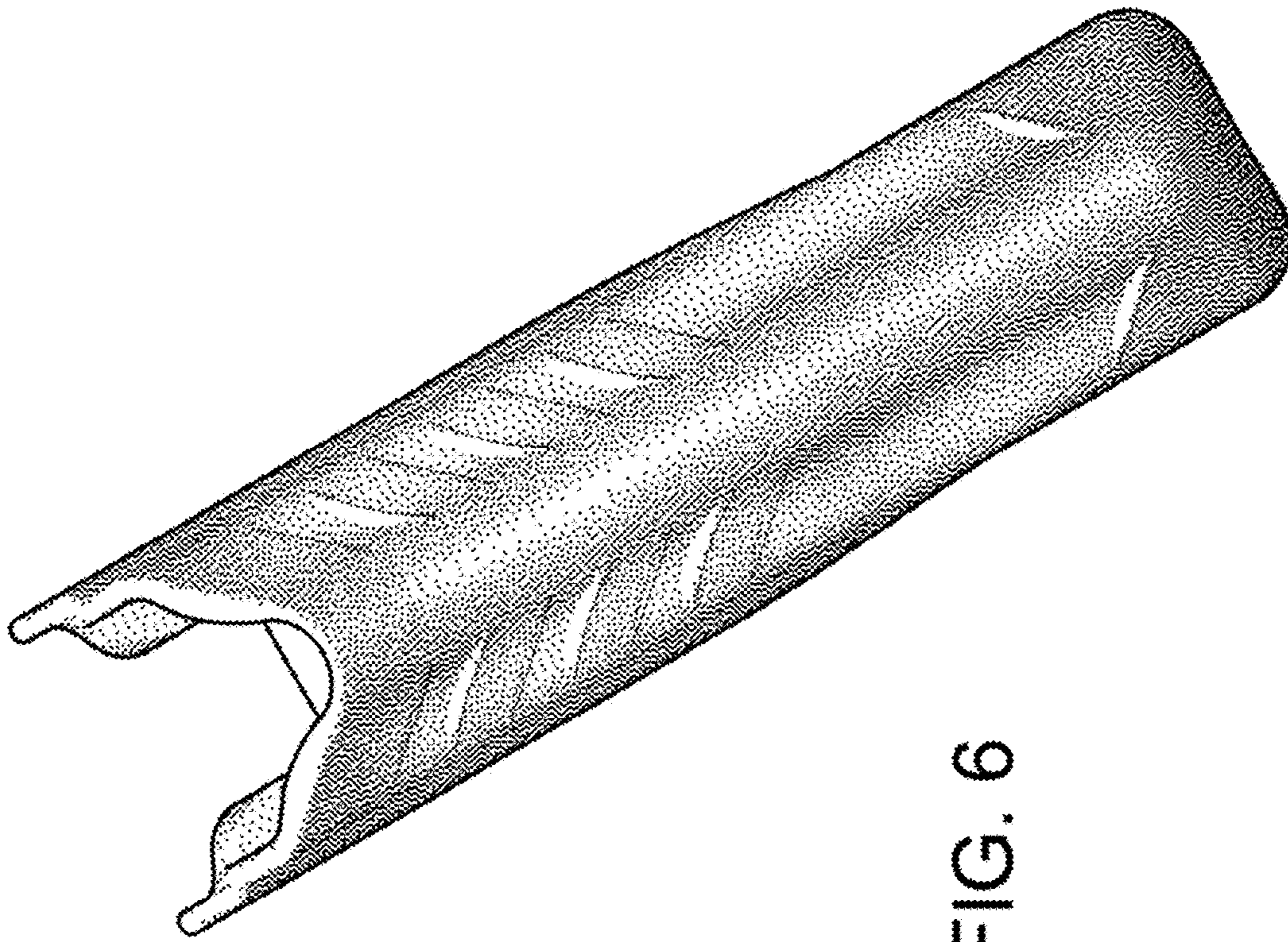


FIG. 6

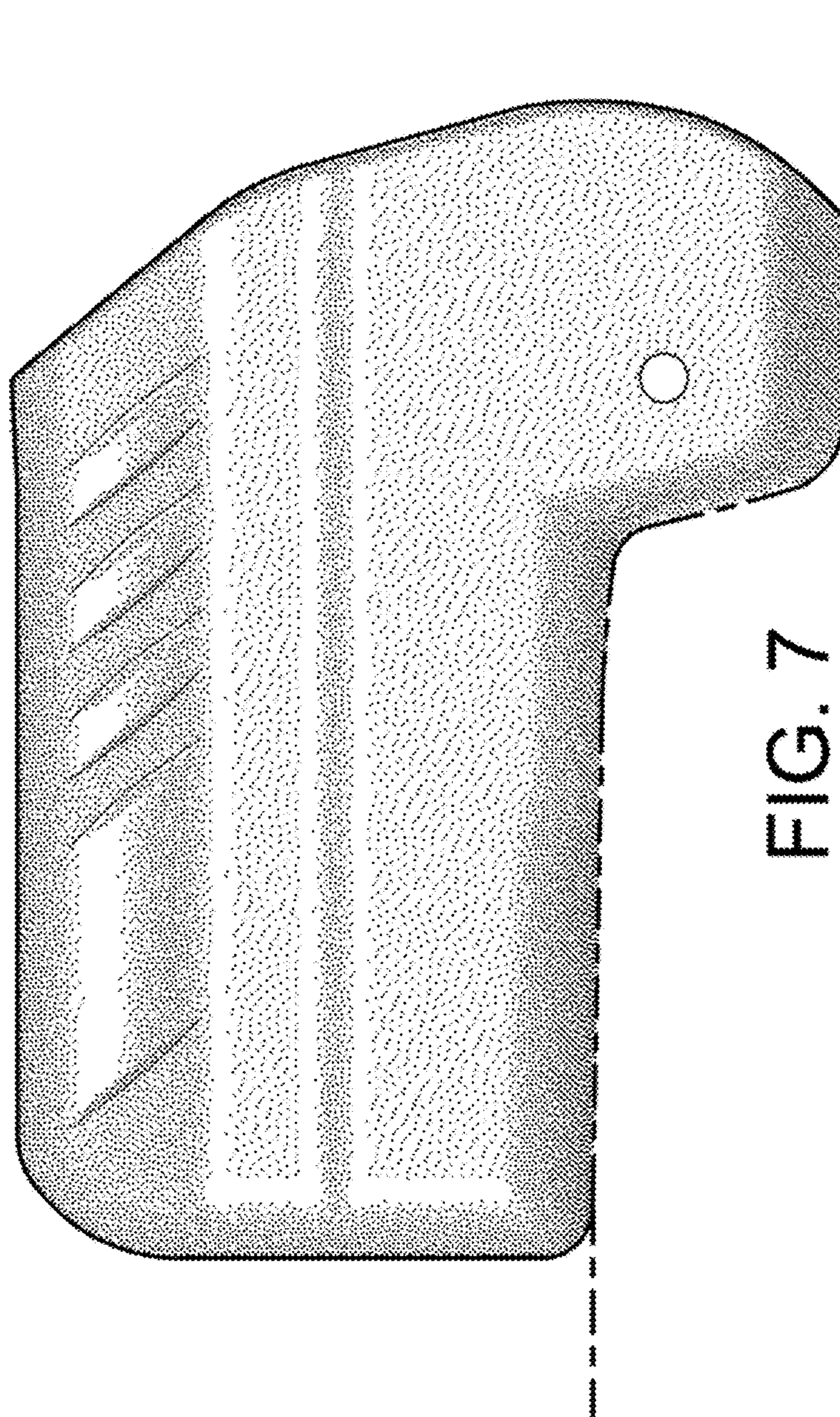


FIG. 7



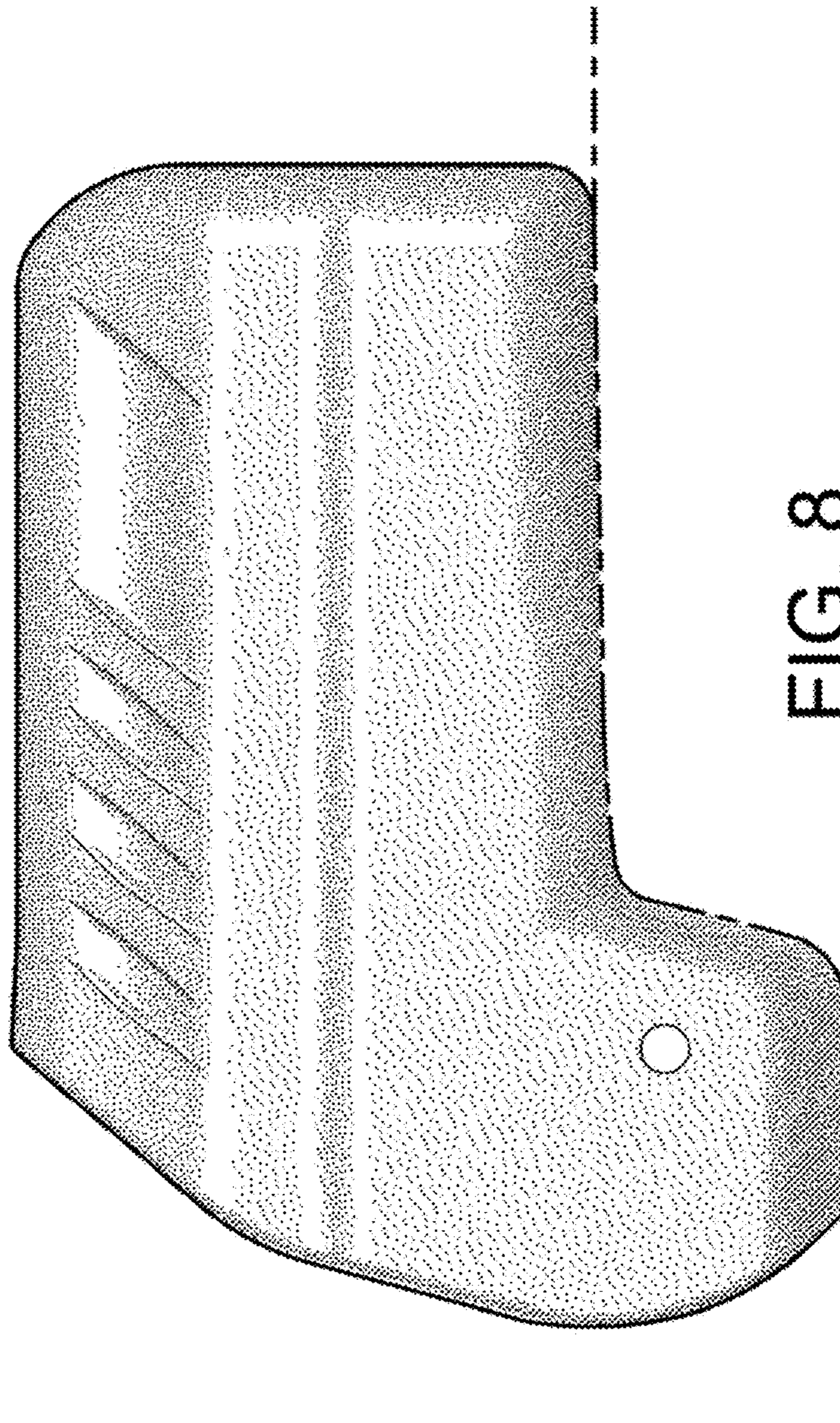


FIG. 8

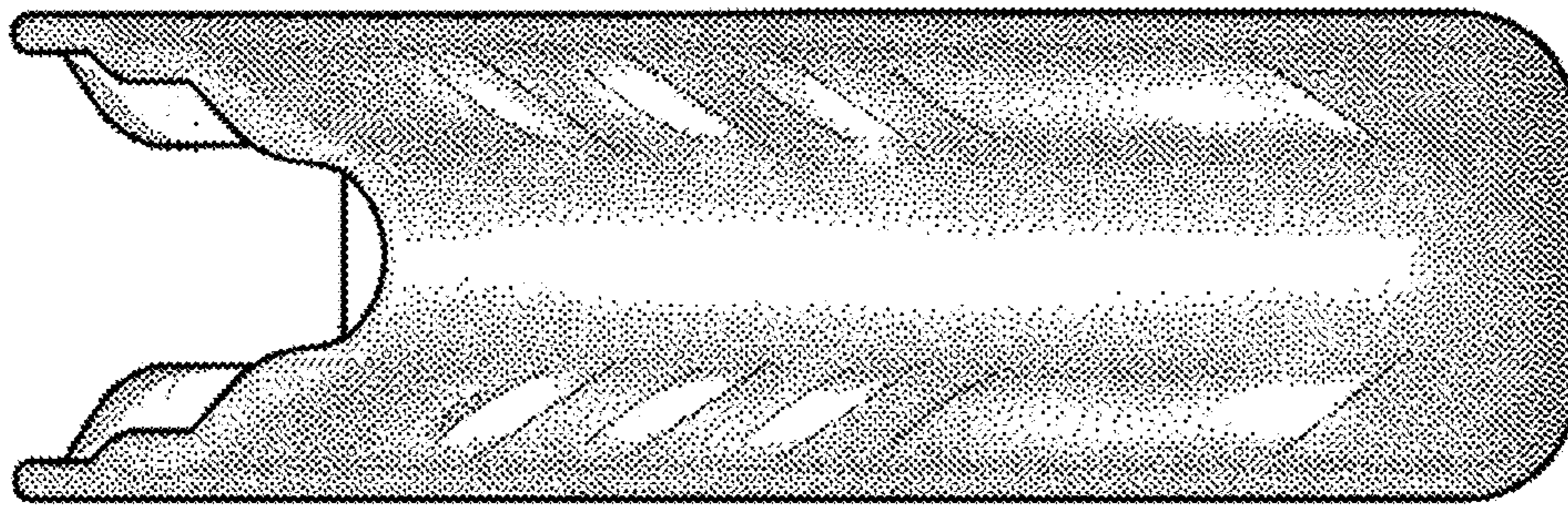


FIG. 9

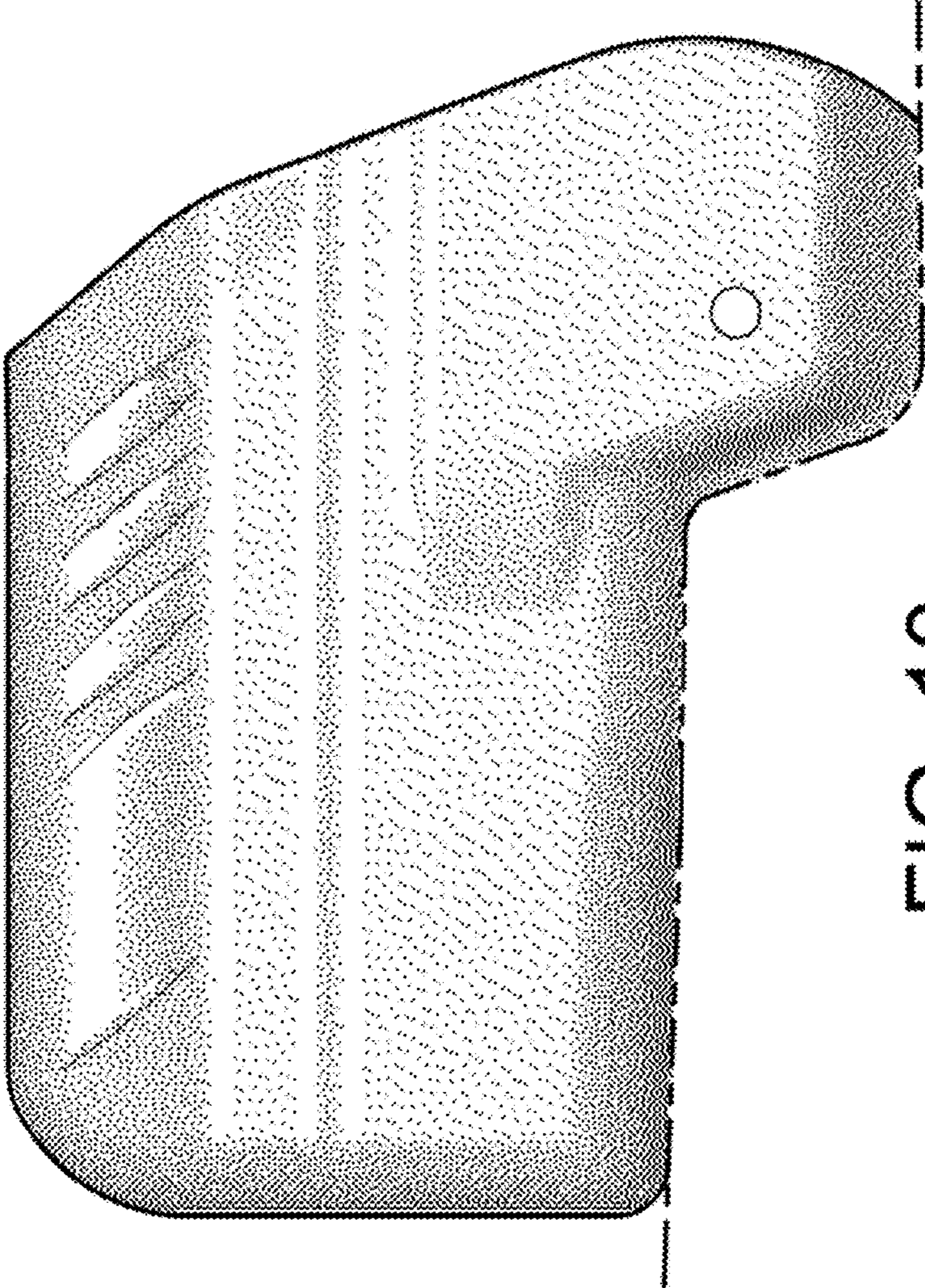


FIG. 10

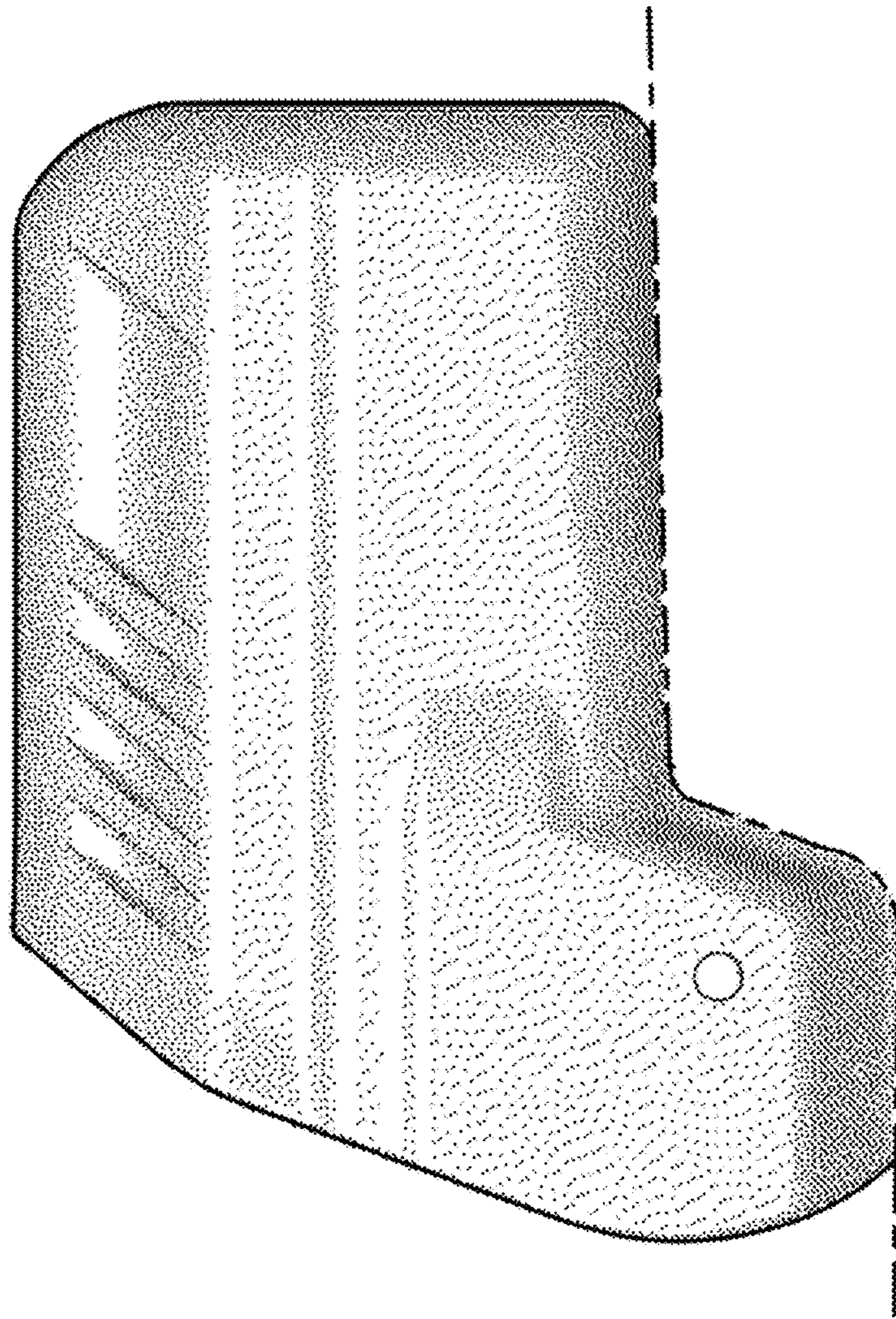


FIG. 11

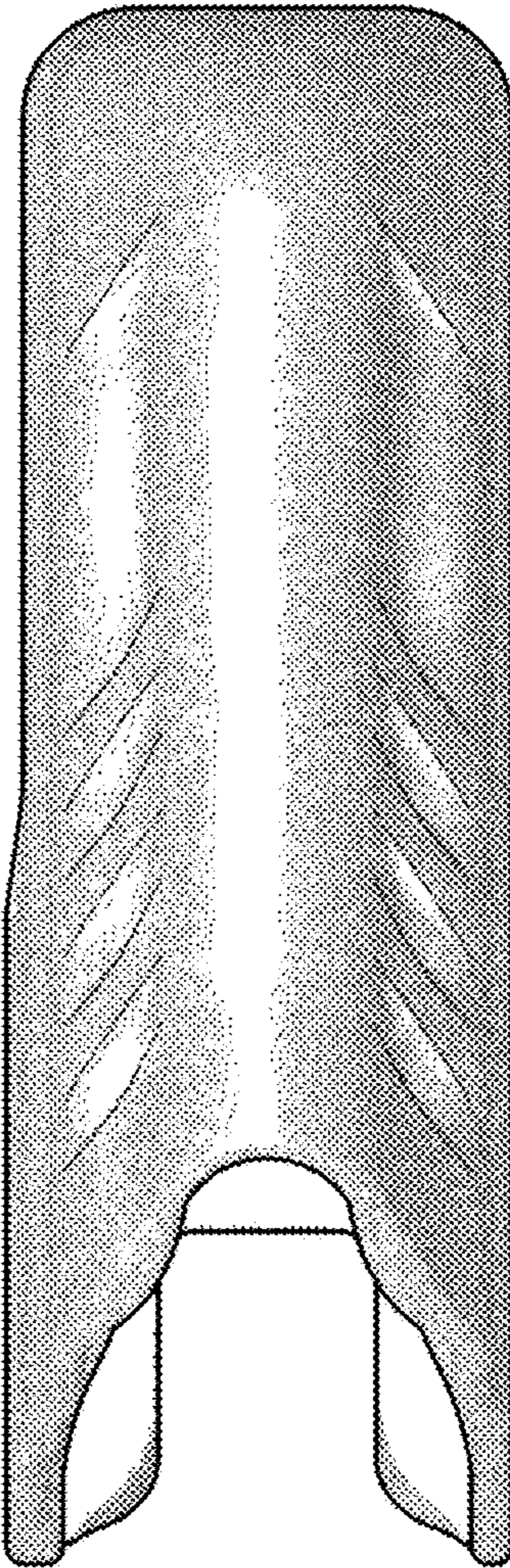


FIG. 12