

US00D802897S

(12) **United States Design Patent** (10) **Patent No.:** **US D802,897 S**
Howe (45) **Date of Patent:** **** Nov. 21, 2017**

(54) **SHOE SOLE**

(71) Applicant: **Under Armour, Inc.**, Baltimore, MD (US)

(72) Inventor: **Justin Howe**, Baltimore, MD (US)

(73) Assignee: **Under Armour, Inc.**, Baltimore, MD (US)

(**) Term: **15 Years**

(21) Appl. No.: **29/558,901**

(22) Filed: **Mar. 23, 2016**

(51) **LOC (10) Cl.** **02-04**

(52) **U.S. Cl.**
USPC **D2/953; D2/951; D2/954; D2/957; D2/960**

(58) **Field of Classification Search**

USPC D2/902, 906, 908, 916, 918, 925, D2/946-962, 977; 36/1, 1.5, 3 B, 22 R, 36/24.5, 25 R, 28, 32 R, 34 R, 59 C, 36/67 A, 101-107, 114-116, 117.3, 117.4, 36/124-136

CPC A43B 13/00; A43B 13/02; A43B 13/023; A43B 13/026; A43B 13/04; A43B 13/08; A43B 13/10; A43B 13/12; A43B 13/14; A43B 13/16; A43B 13/18; A43B 13/28; A43B 13/30; A43B 13/32; A43B 13/34; A43B 13/36; A43B 13/141; A43B 13/143; A43B 13/181; A43B 13/189; A43B 13/223; A43B 13/224

See application file for complete search history.

(56) **References Cited**

U.S. PATENT DOCUMENTS

D259,595 S * 6/1981 Famolare, Jr. D2/955
D321,977 S * 12/1991 Kilgore D2/954
D326,955 S * 6/1992 Hatfield D2/959
D329,533 S * 9/1992 Hatfield D2/957
D331,492 S * 12/1992 Tonkel D2/959
D343,272 S * 1/1994 James D2/953

D348,350 S * 7/1994 Lucas D2/957
D385,093 S * 10/1997 Cass D2/957
D388,314 S * 12/1997 Tresser D2/951
D392,445 S * 3/1998 Tresser D2/951

(Continued)

FOREIGN PATENT DOCUMENTS

CN 201630345 * 11/2010 A43B 3/30
CN 203262406 * 11/2013 A43B 13/14
DE 10112821 * 8/2002

OTHER PUBLICATIONS

Under Armour Men's UA SpeedForm Slingride Fade Running Shoes, Amazon.com, Date first available at Amazon.com: May 25, 2016, [online], [site visited Feb. 22, 2017]. <URL: <https://www.amazon.com/Under-Armour-SpeedForm-Slingride-Running/dp/B01G61DSWS>>.*

(Continued)

Primary Examiner — T. Chase Nelson
Assistant Examiner — Jonathan J Han
(74) *Attorney, Agent, or Firm* — Edell, Shapiro & Finnan, LLC

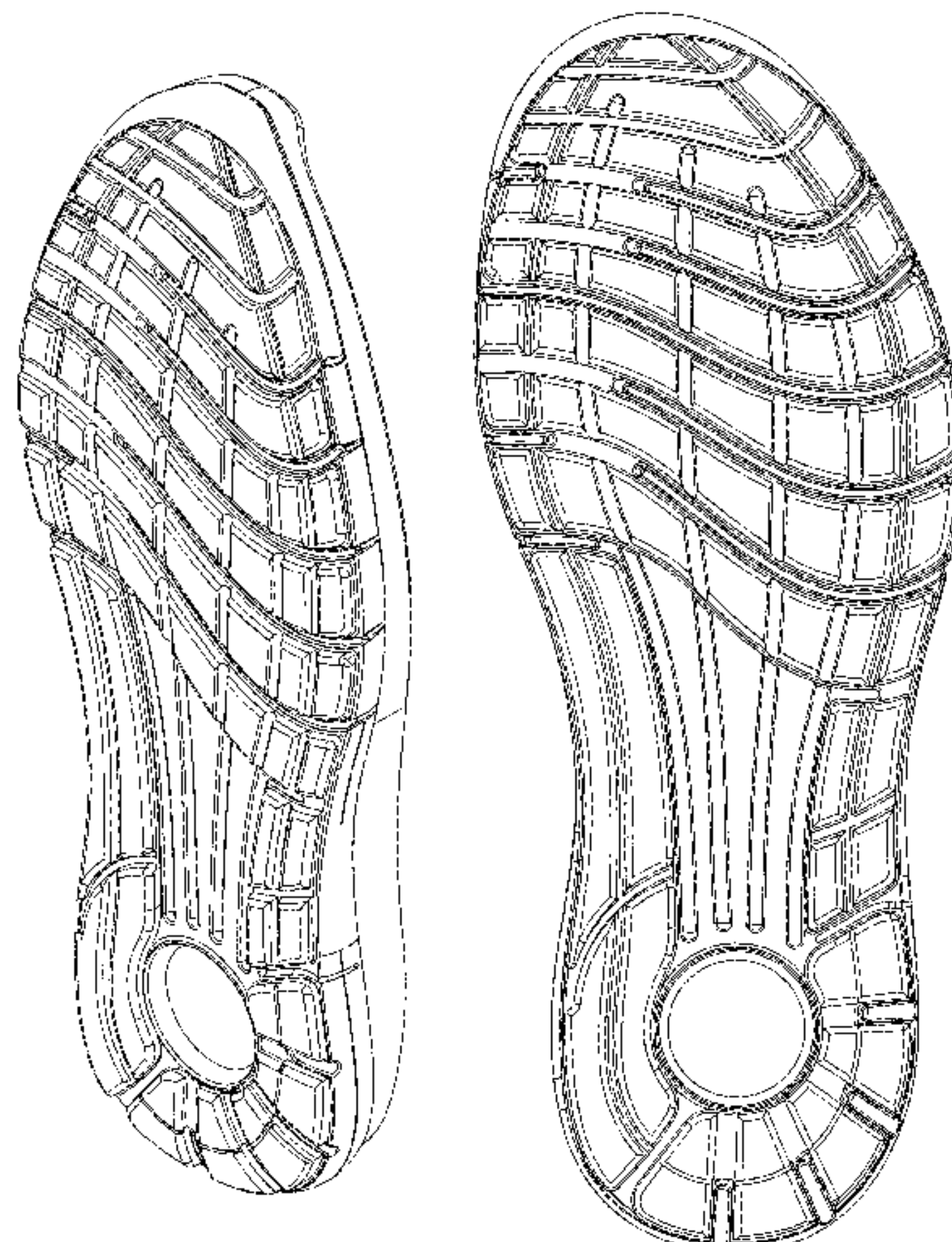
(57) **CLAIM**

The ornamental design for a shoe sole, as shown and described.

DESCRIPTION

FIG. 1 is a perspective view of a shoe sole showing my new design;
FIG. 2 is a bottom plan view thereof;
FIG. 3 is a top plan view thereof;
FIG. 4 is a right side view in elevation thereof;
FIG. 5 is a left side view in elevation thereof;
FIG. 6 is a front view in elevation thereof; and,
FIG. 7 is a rear view in elevation thereof.
The broken line illustration of environmental structure in FIGS. 3 and 6 is not part of the claimed design.

1 Claim, 7 Drawing Sheets



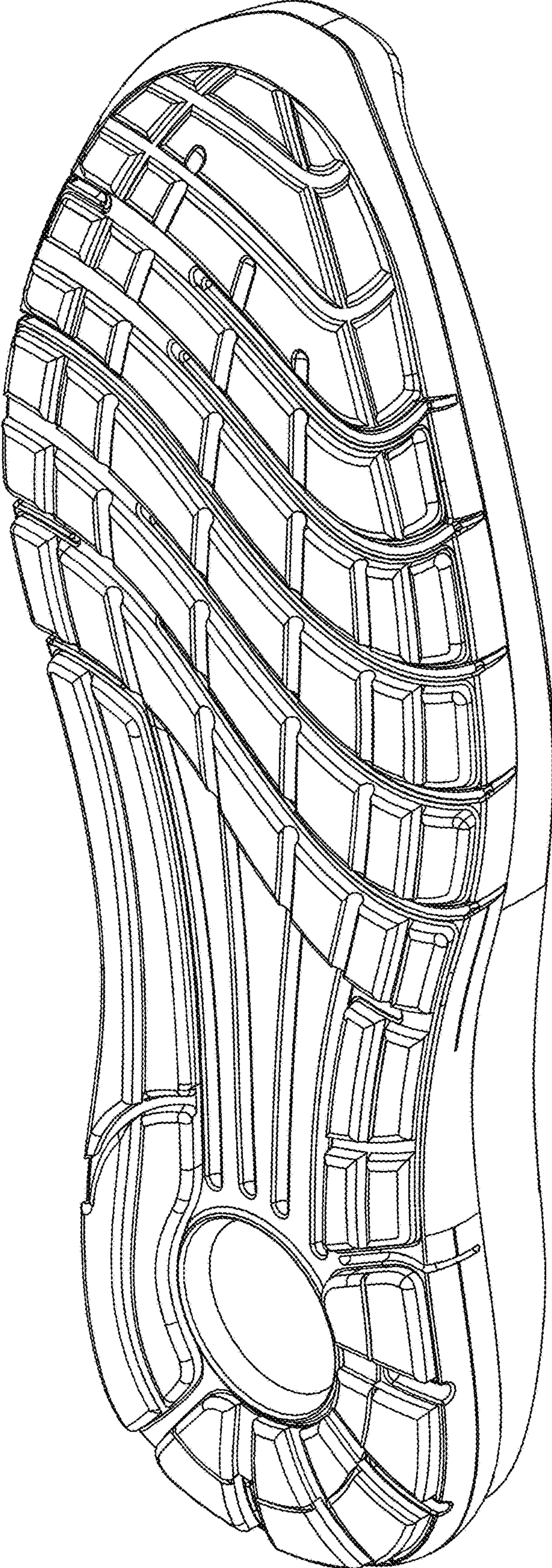


FIG.1

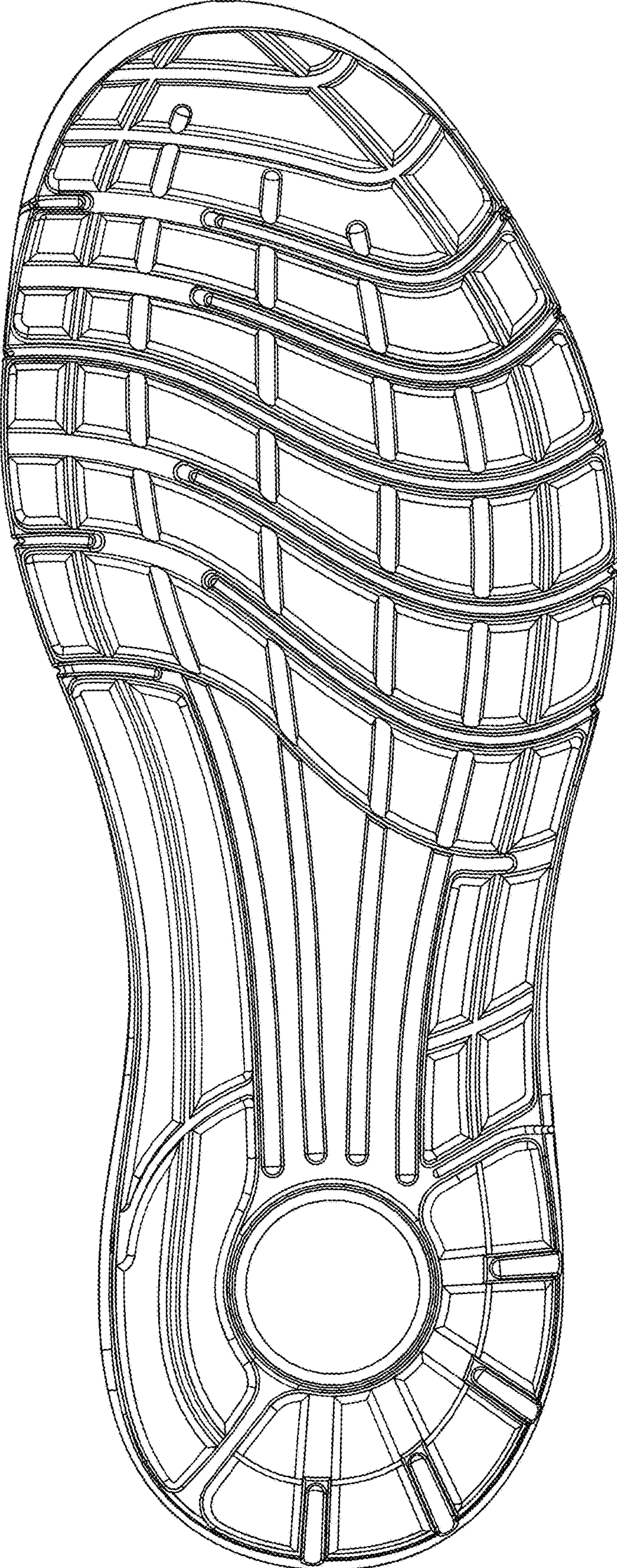


FIG.2

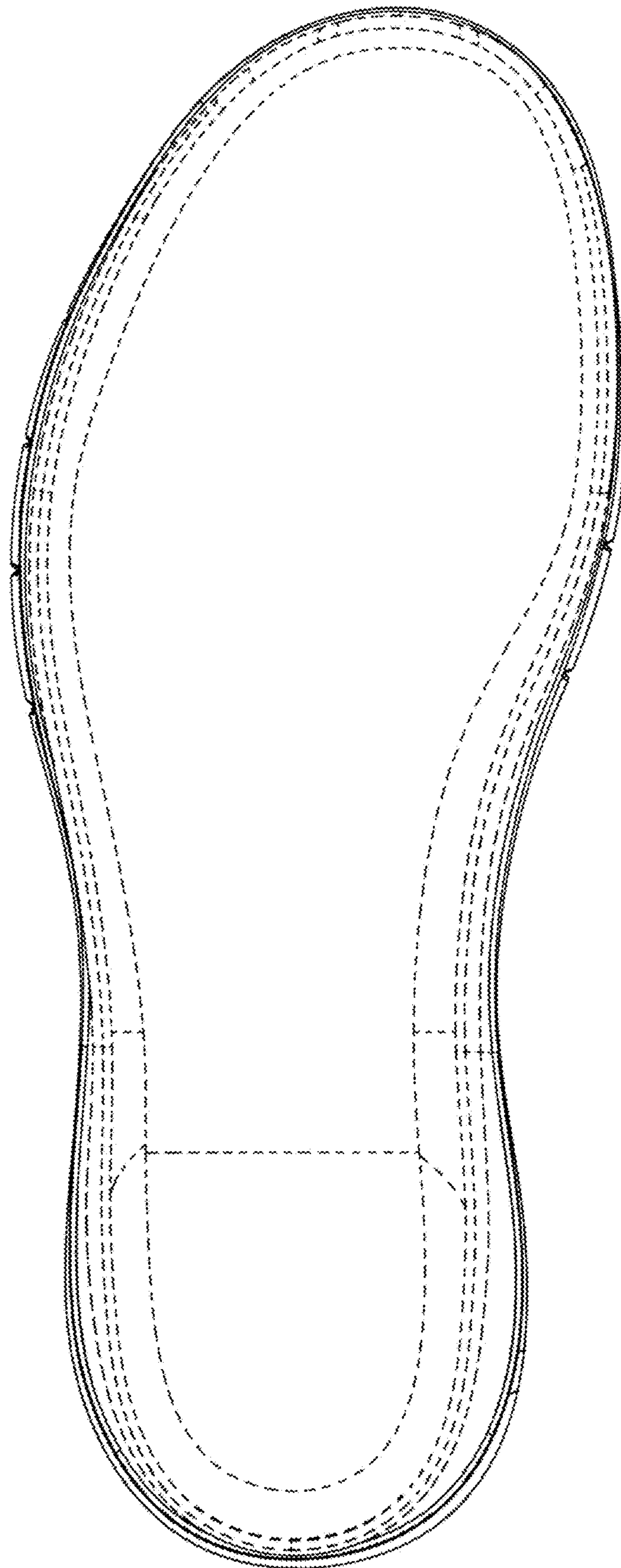


FIG.3

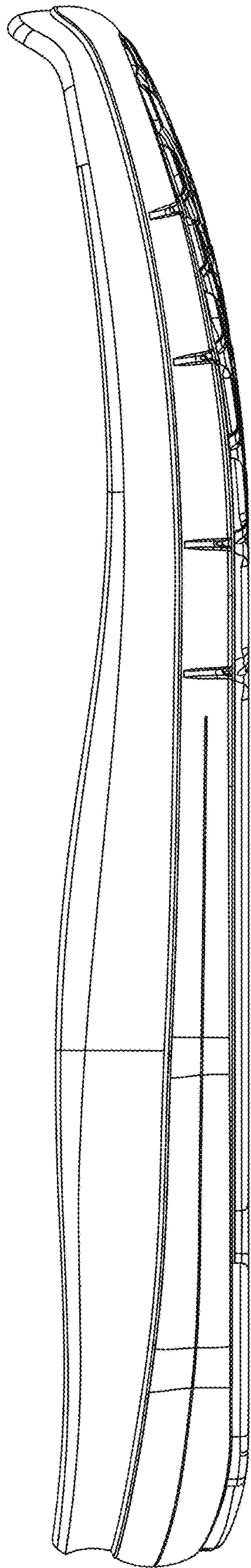


FIG.4

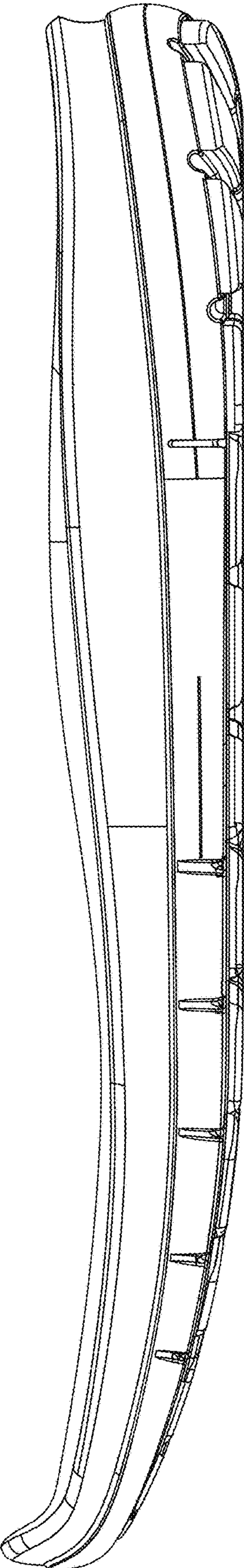


FIG.5

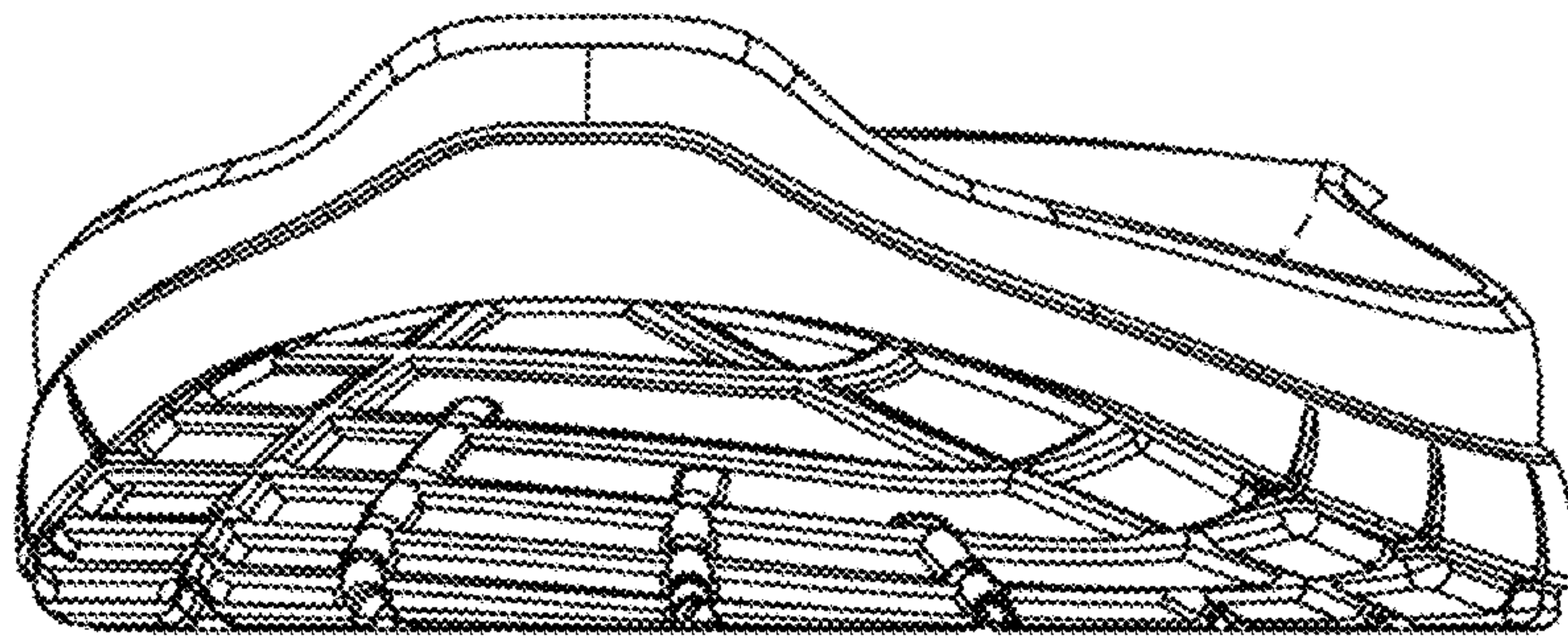


FIG.6

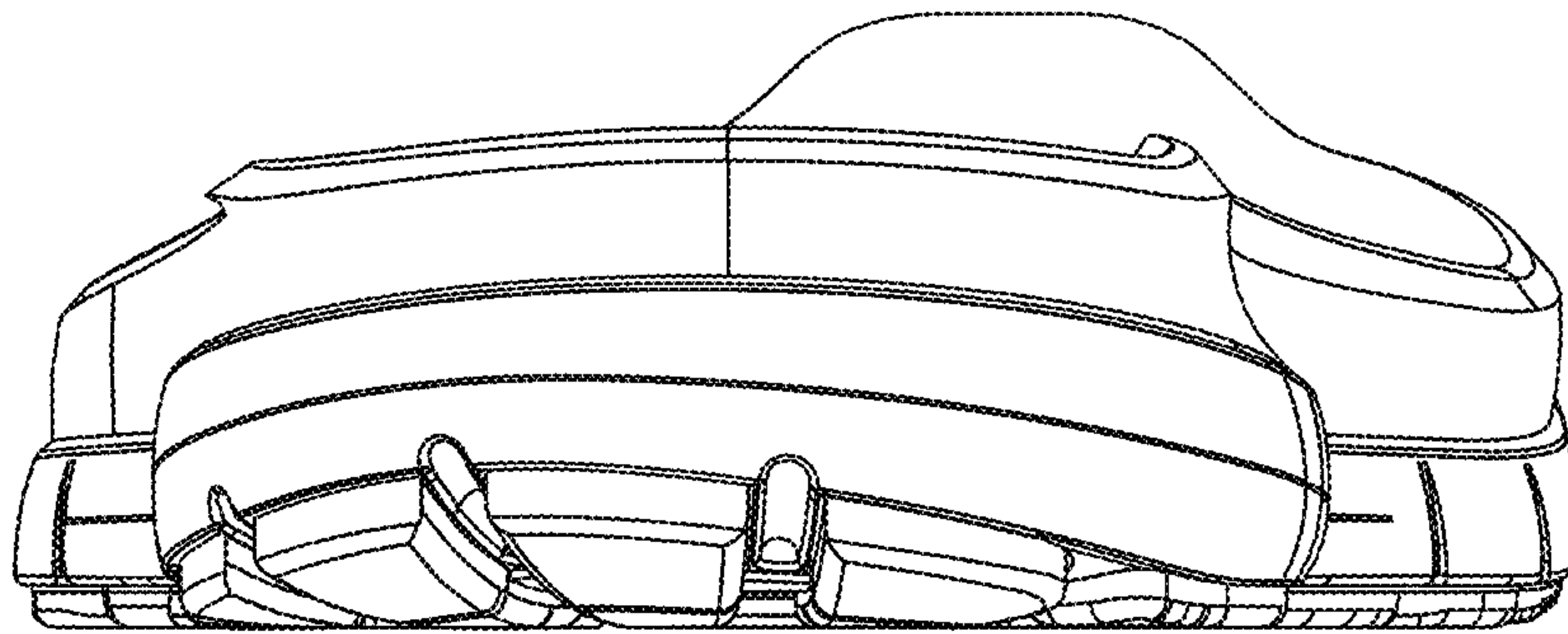


FIG.7