



US00D802891S

(12) **United States Design Patent**  
**Chronos**

(10) **Patent No.:** **US D802,891 S**

(45) **Date of Patent:** **\*\* Nov. 21, 2017**

(54) **BASEBALL STYLE CAP**

(71) Applicant: **Chronology, LLC**, Chicago, IL (US)

(72) Inventor: **Jonathan Michael Chronos**, Chicago, IL (US)

(\*\*) Term: **15 Years**

(21) Appl. No.: **29/553,368**

(22) Filed: **Feb. 1, 2016**

(51) **LOC (10) Cl.** ..... **02-03**

(52) **U.S. Cl.**  
USPC ..... **D2/882**

(58) **Field of Classification Search**  
USPC ..... D2/865, 866, 869, 872, 876, 880, 882,  
D2/884, 891, 895

CPC ..... A42B 1/00; A42B 1/004; A42B 1/006;  
A42B 1/062; A42B 1/22; A42B 1/24;  
A42B 1/248; A42B 7/00

See application file for complete search history.

(56) **References Cited**

**U.S. PATENT DOCUMENTS**

D18,249 S	4/1888	Heller	
389,962 A	9/1888	Gosling	
557,864 A	4/1896	McNamara et al.	
882,648 A	3/1908	Neugass	
1,024,750 A	4/1912	Stevens	
1,635,456 A	7/1927	Bowditch	
1,996,254 A	4/1934	Parlow	
D172,203 S *	5/1954	Vernam	D2/882
D336,969 S *	7/1993	Mullendore	D2/866
5,359,734 A	11/1994	Rathburn	
5,428,844 A	7/1995	Dougherty	
5,437,062 A *	8/1995	Douglas	A42B 1/064 2/10
5,465,426 A *	11/1995	Beaton	A42B 1/248 2/181
D374,972 S *	10/1996	Nelson	D2/882
5,704,070 A	1/1998	Stogner	

6,101,632 A	8/2000	Veazey	
D442,355 S *	5/2001	Rose	D2/866
D455,539 S *	4/2002	Kates	D2/865
D549,931 S *	9/2007	Melton	D2/882
D635,743 S *	4/2011	Johnson	D2/882
D671,716 S *	12/2012	Lam	D2/882
8,381,316 B2 *	2/2013	Edwards	A42B 1/006 2/175.3

(Continued)

**OTHER PUBLICATIONS**

Onyx Black Strap Hat, [on-line]; [Internet publication date unknown]; [retrieved from the Internet on Mar. 14, 2017]; URL: <<https://chronology.clothing/collections/hats/products/blackstrap-hat>>. (3 pages).\*

(Continued)

*Primary Examiner* — Karen E. Eldridge Powers

*Assistant Examiner* — Jasmine Mlinarcik

(74) *Attorney, Agent, or Firm* — Gearhart Law LLC

(57) **CLAIM**

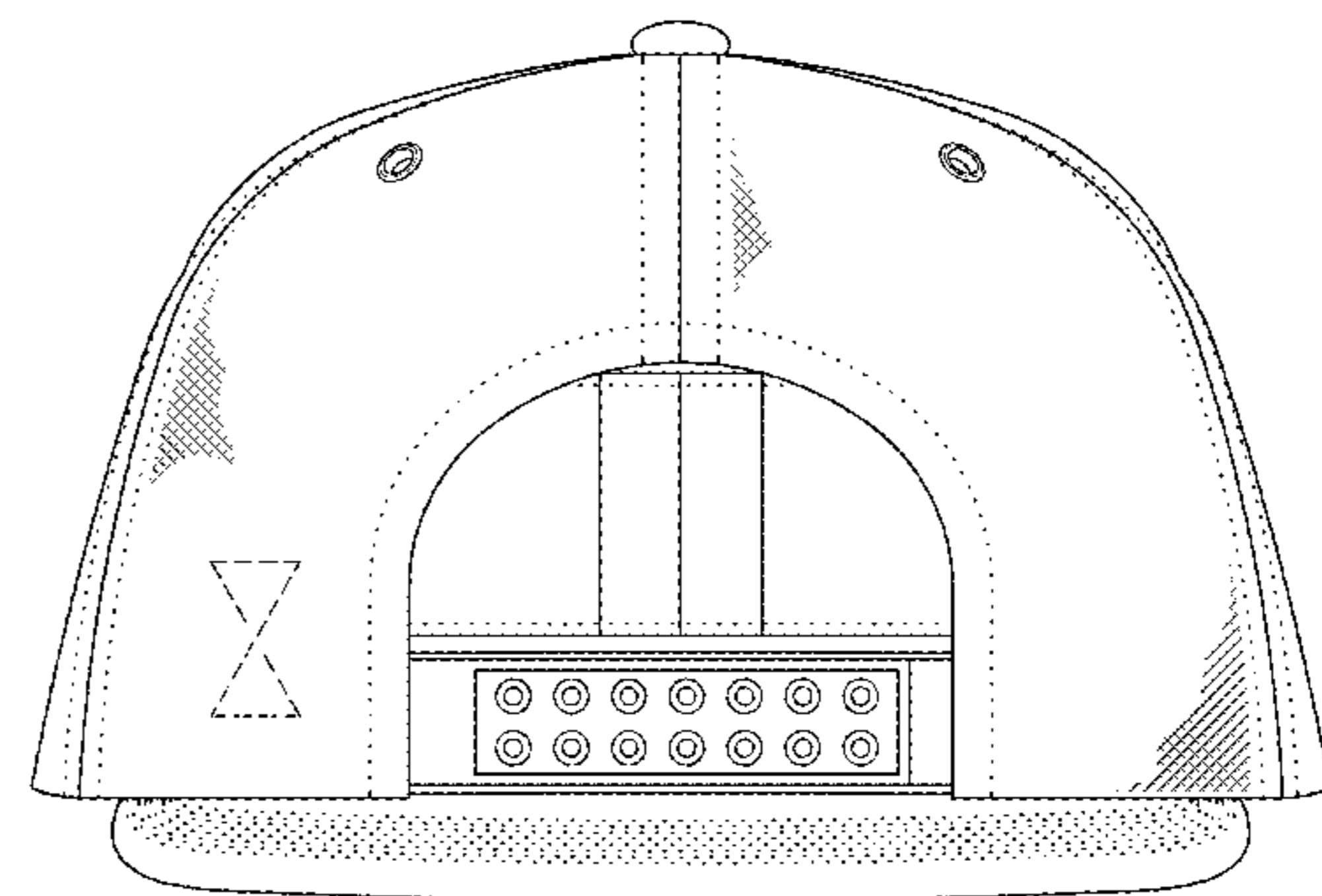
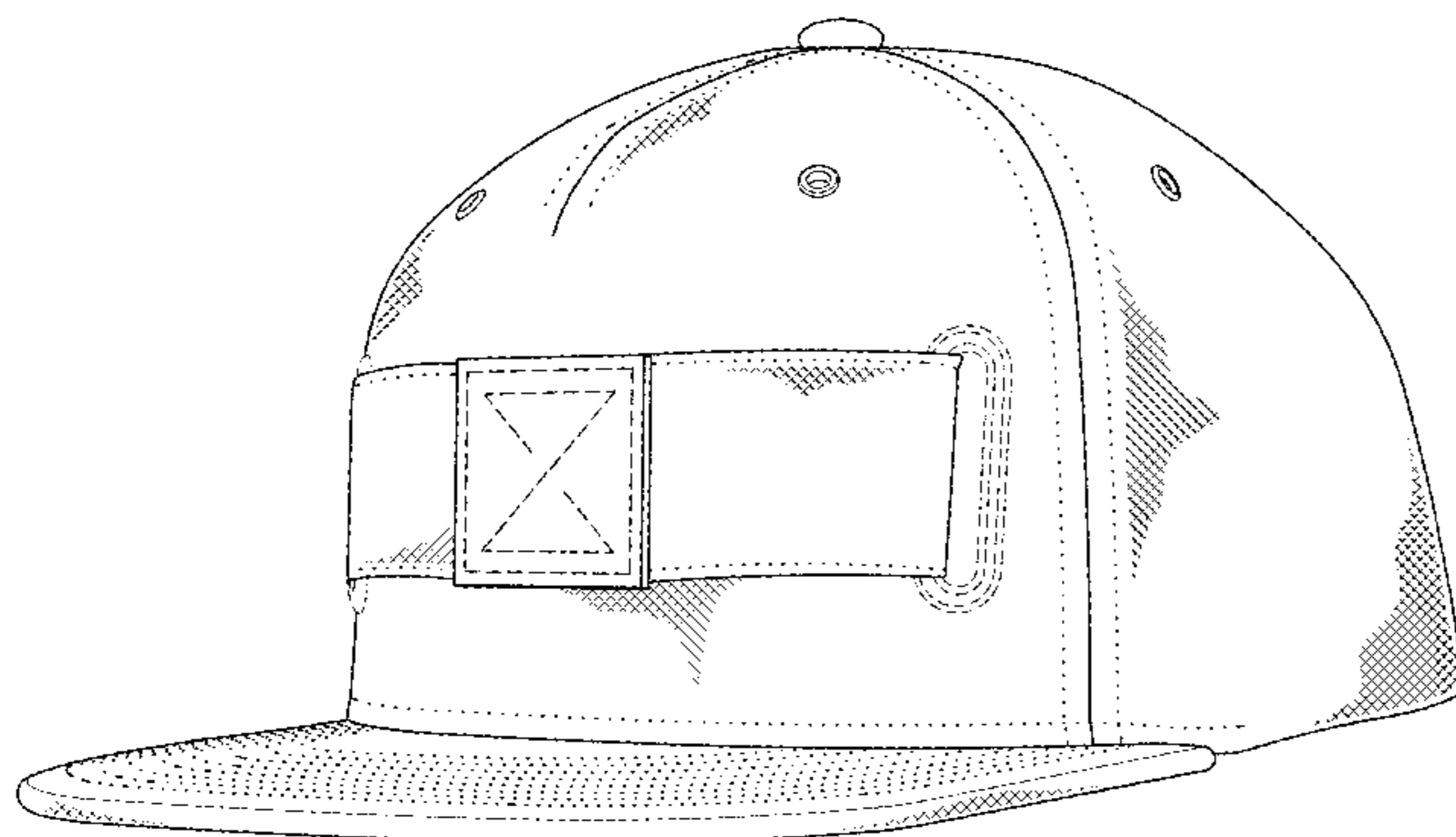
The ornamental design for a baseball style cap, as shown and described.

**DESCRIPTION**

FIG. 1 is a front perspective view of the present invention; FIG. 2 is a bottom perspective view of the present invention; FIG. 3 is a front elevation view of the present invention; FIG. 4 is a rear elevation view of the present invention; FIG. 5 is a side elevation view of the present invention; FIG. 6 is a side elevation view of the present invention; FIG. 7 is a top plan view of the present invention; and, FIG. 8 is an alternate bottom plan view of the present invention.

The various broken lines represent environmental structure that form no part of the claimed design.

**1 Claim, 8 Drawing Sheets**



(56)

**References Cited**

U.S. PATENT DOCUMENTS

D761,525 S \* 7/2016 Mariasov ..... D2/882  
2002/0095715 A1 \* 7/2002 Hong ..... A42B 1/06  
2/209.11  
2003/0233696 A1 \* 12/2003 Lee ..... A42B 1/22  
2/195.2  
2004/0117893 A1 6/2004 Ginsberg  
2007/0143906 A1 6/2007 Renteria  
2012/0060259 A1 3/2012 Falken  
2014/0069965 A1 3/2014 Zhao

OTHER PUBLICATIONS

Chronology Clothing Introduces the Strap Hat, [on-line]; [posted to the Internet on Jul. 1, 2016]; [retrieved from the Internet on Mar. 14, 2017]; URL: <<https://www.youtube.com/watch?v=nbUqx1hsIEA>>. (4 pages).\*

\* cited by examiner

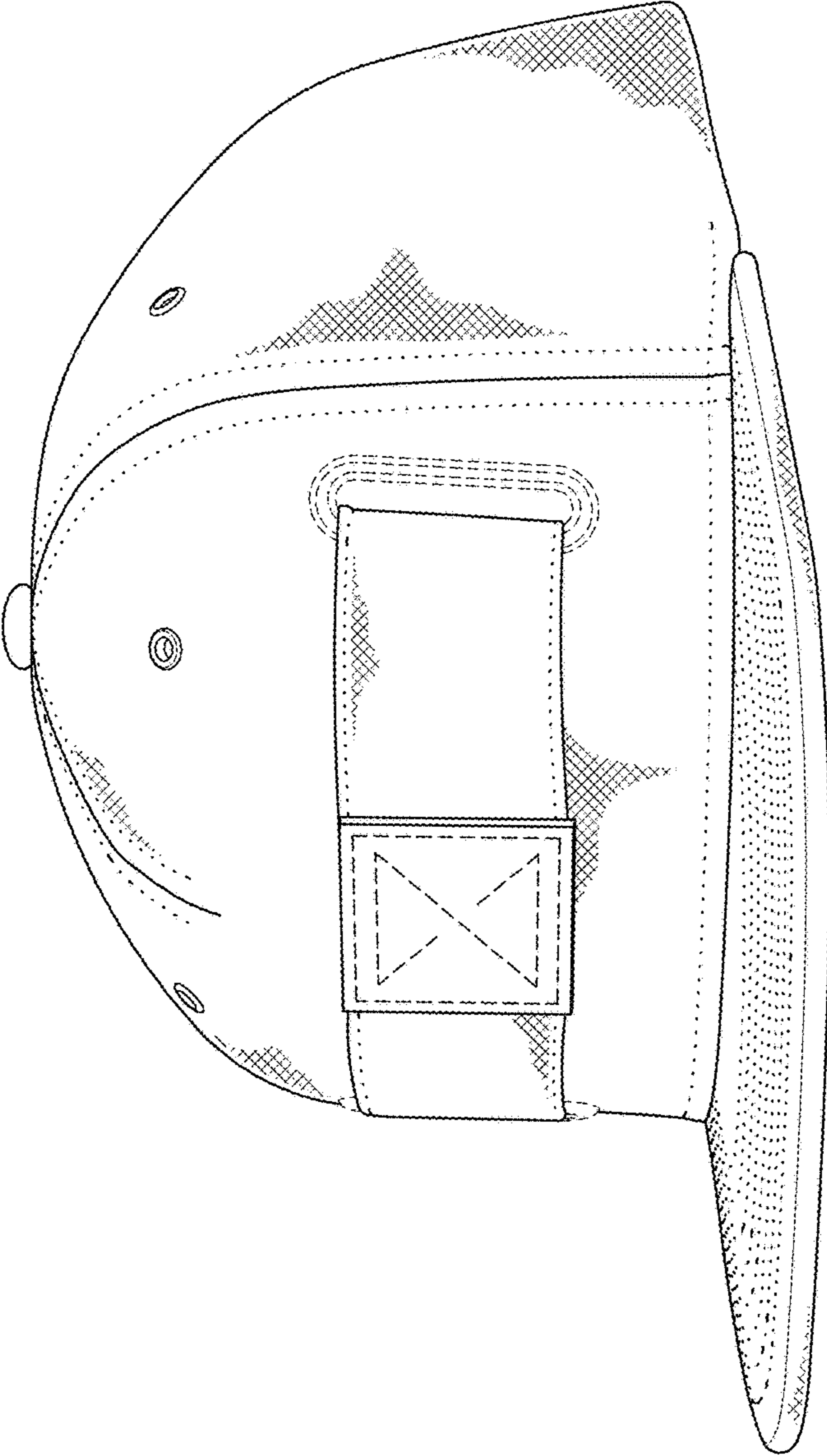


FIG.1

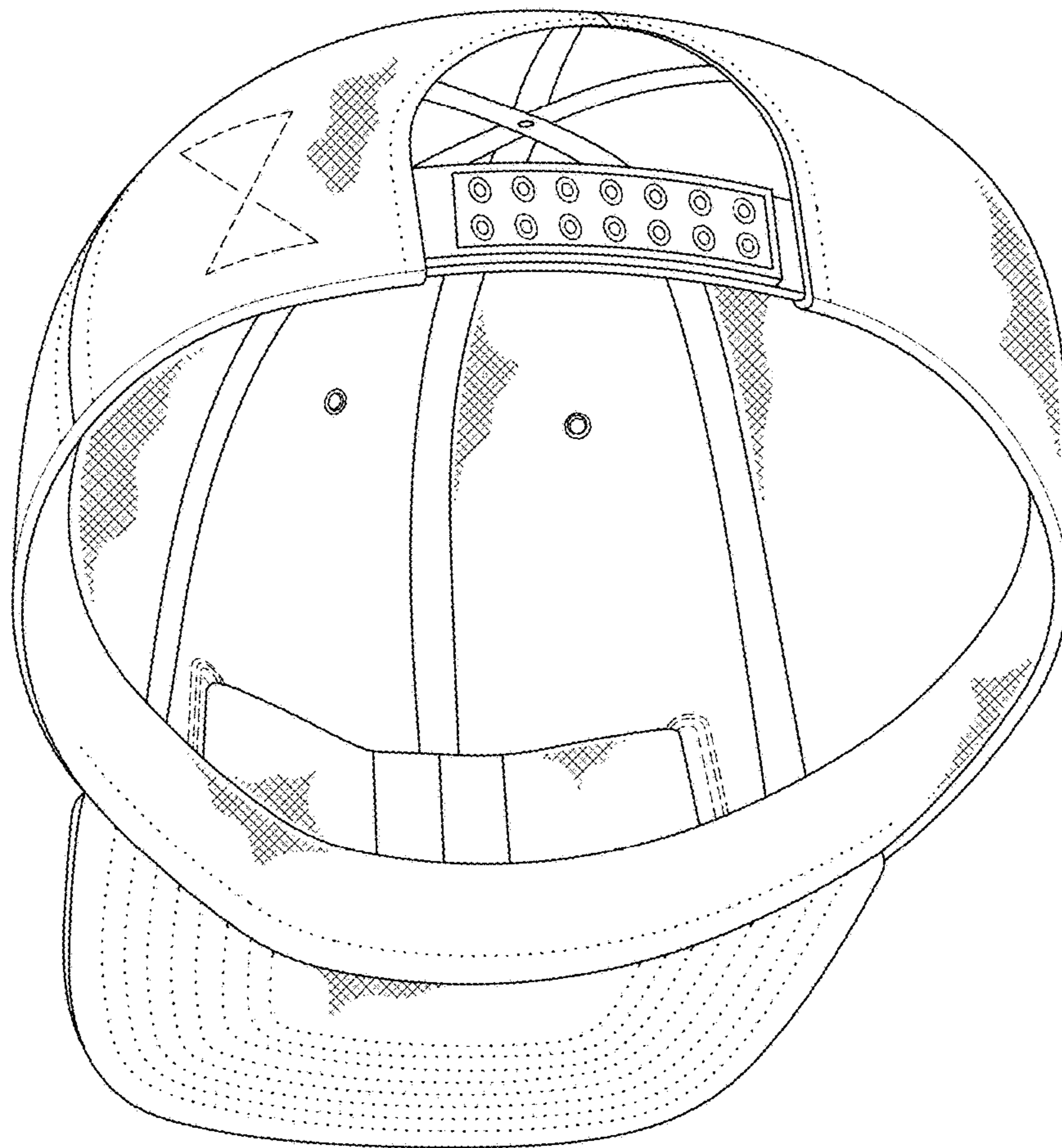


FIG. 2

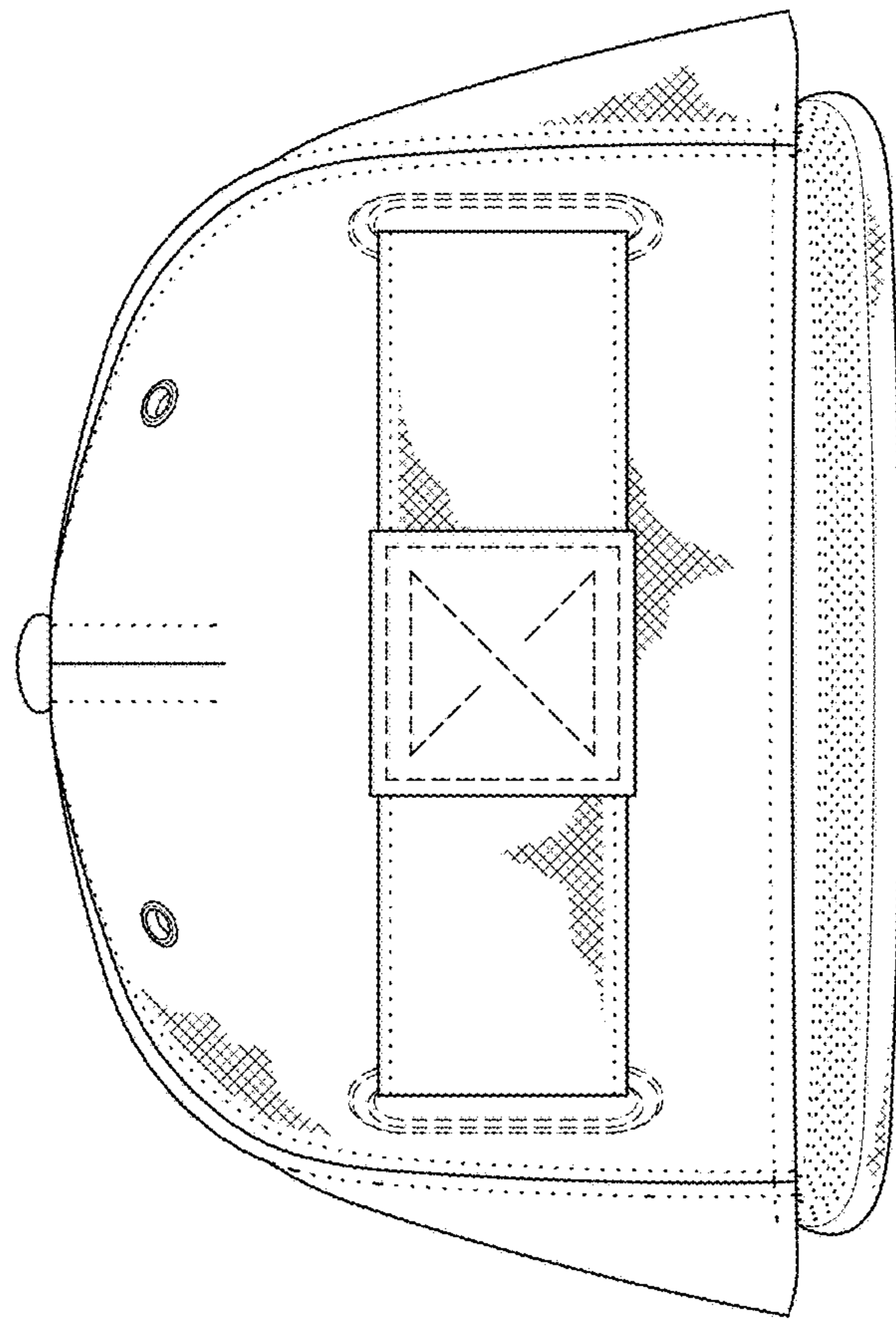


FIG.3

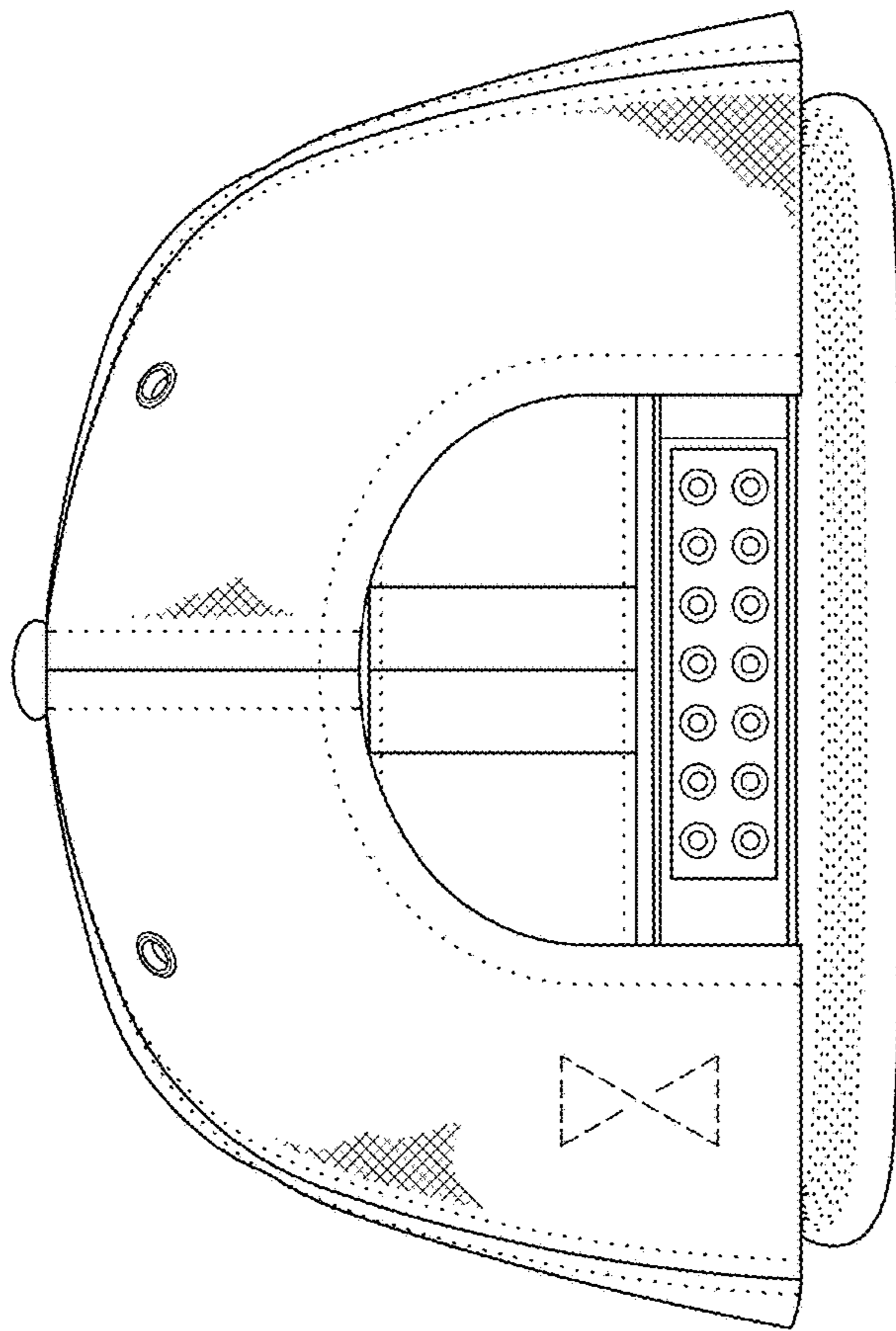


FIG.4

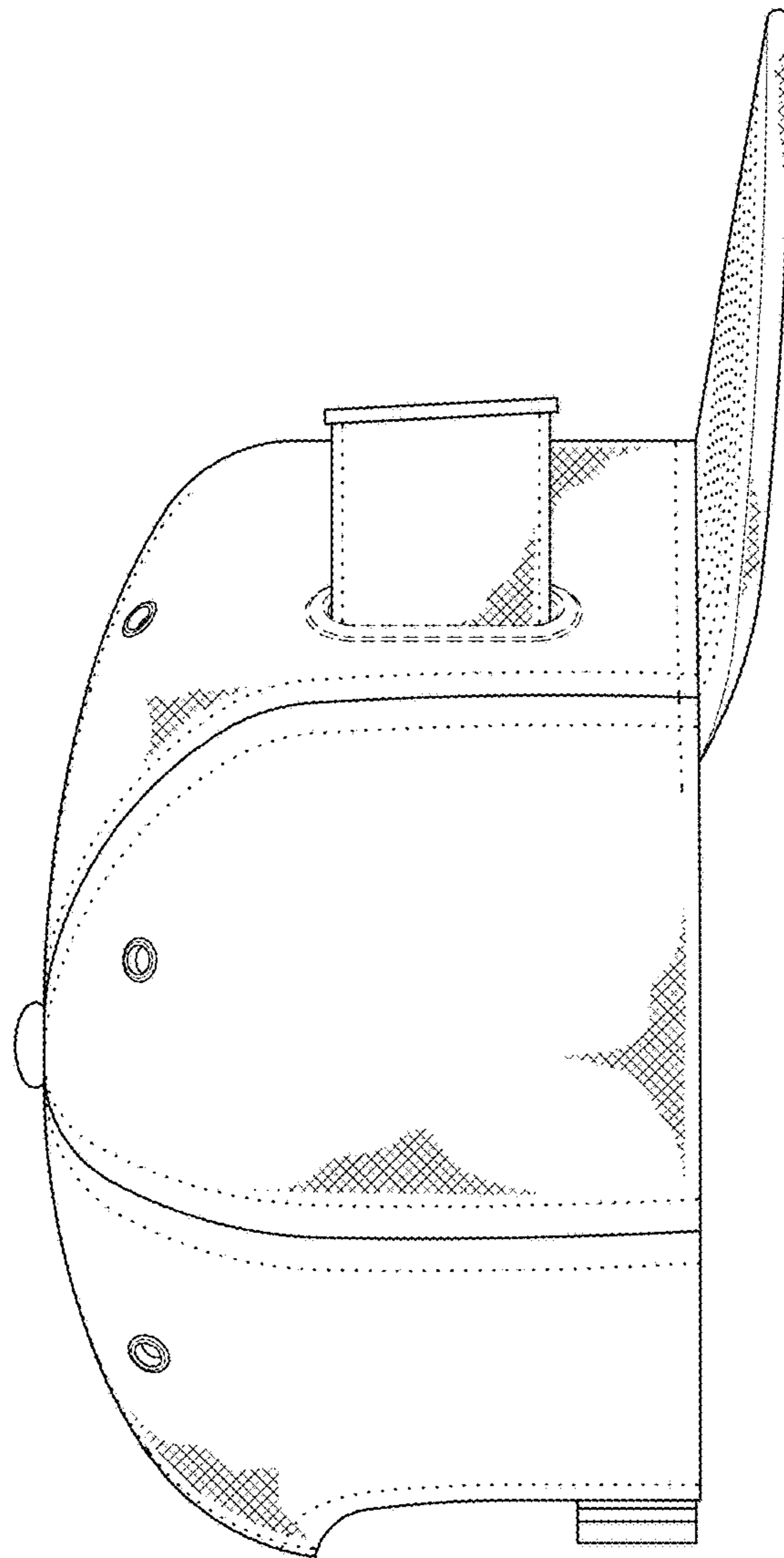


FIG. 5

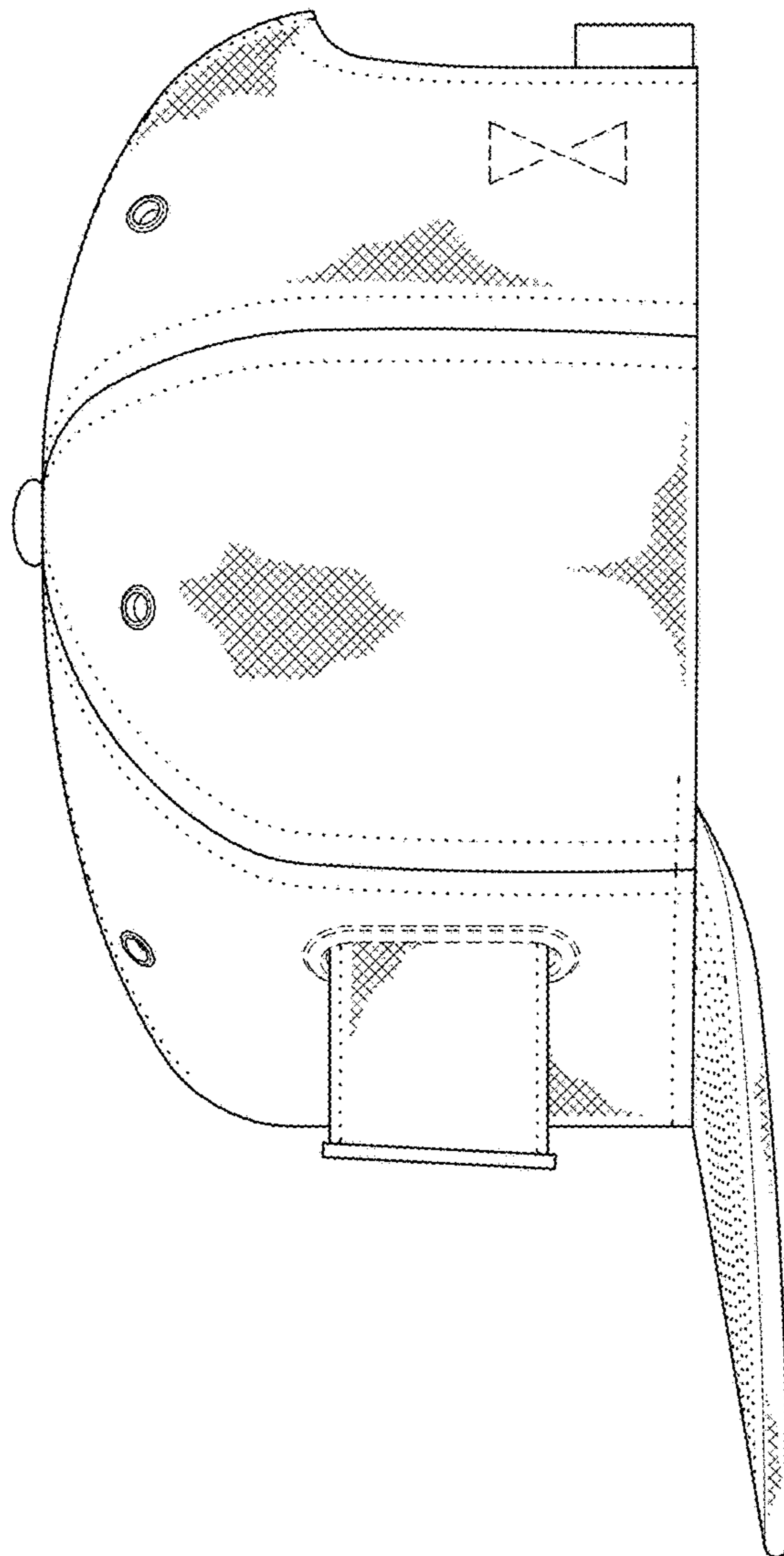


FIG. 6



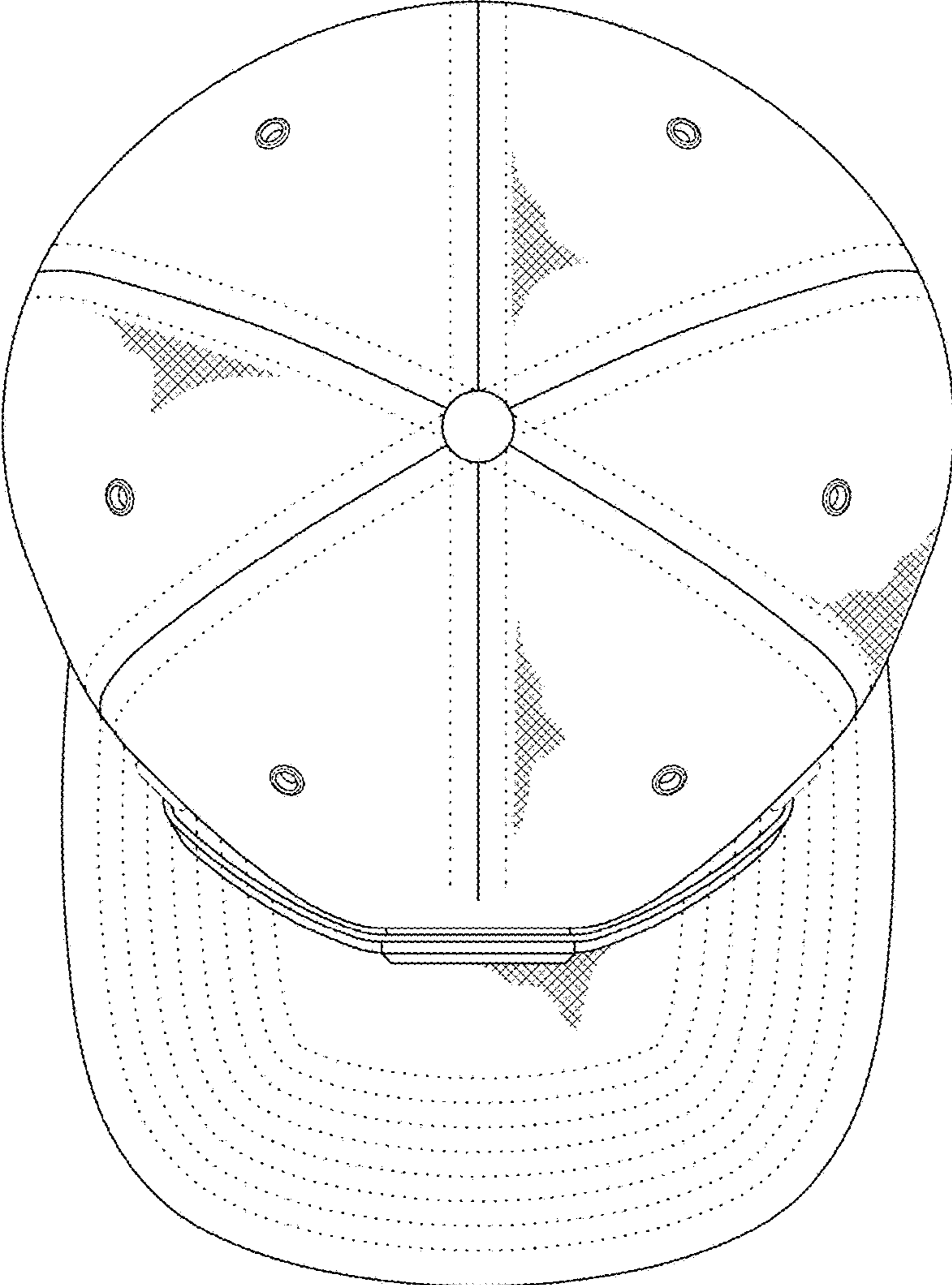


FIG. 7

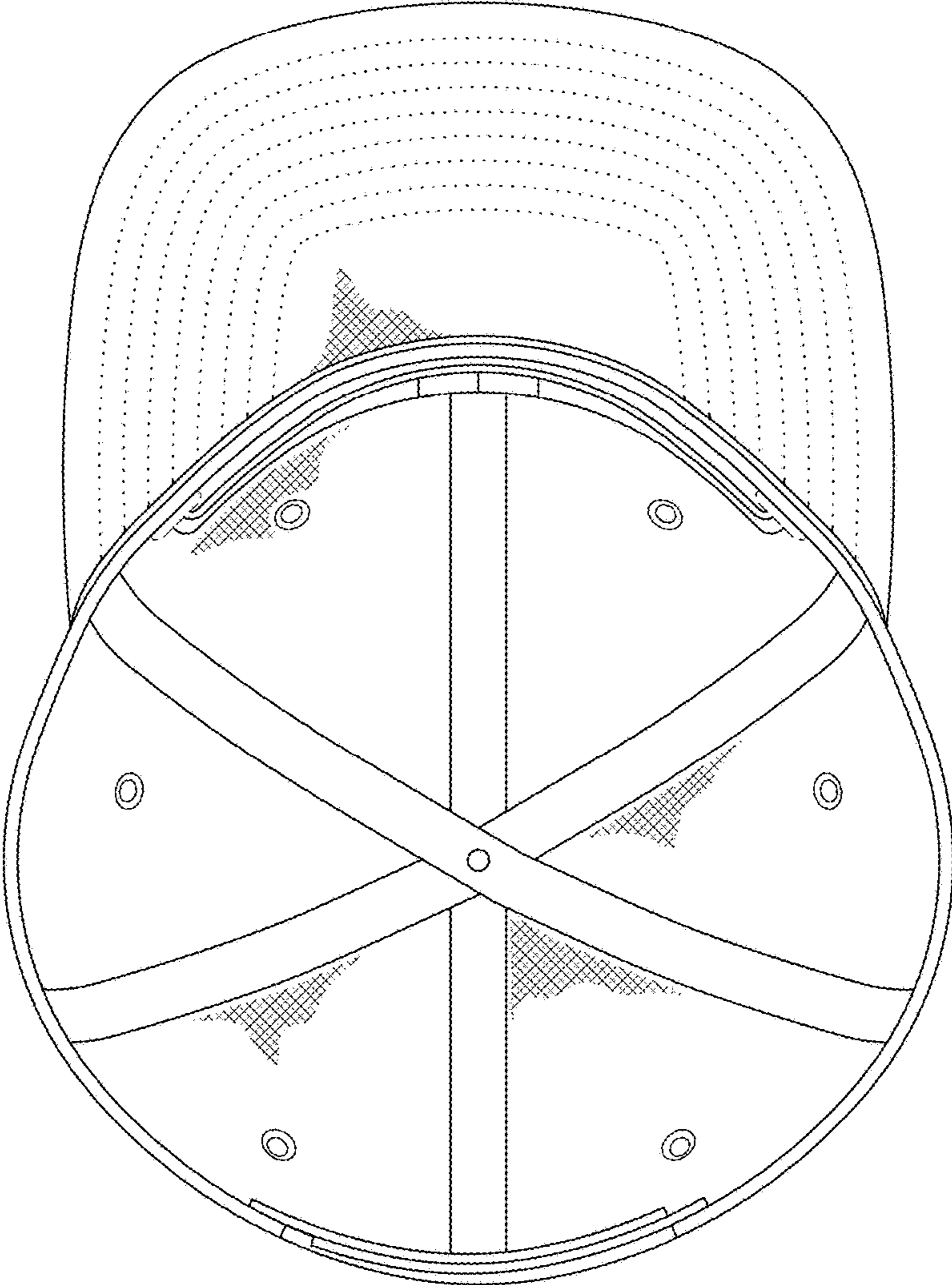


FIG.8