



US00D802889S

(12) **United States Design Patent**
Clores

(10) **Patent No.:** **US D802,889 S**

(45) **Date of Patent:** **** Nov. 21, 2017**

- (54) **BABY BIB**
- (71) Applicant: **Edgardo Clores**, Las Vegas, NV (US)
- (72) Inventor: **Edgardo Clores**, Las Vegas, NV (US)
- (73) Assignee: **MACE CORPORATION**, Las Vegas, NV (US)
- (**) Term: **15 Years**
- (21) Appl. No.: **29/561,376**
- (22) Filed: **Apr. 15, 2016**
- (51) **LOC (10) Cl.** **02-02**
- (52) **U.S. Cl.**
USPC **D2/864**
- (58) **Field of Classification Search**
USPC D2/860, 861, 862, 864
CPC A41B 13/10
See application file for complete search history.

- 4,811,428 A * 3/1989 Waldman A41B 13/103
2/49.3
- D306,520 S * 3/1990 McCarthy D12/133
- D436,430 S * 1/2001 Merrifield D2/860
- D461,945 S * 8/2002 Byrd D2/860
- 6,490,731 B1 * 12/2002 Hyatt A41B 13/103
2/49.1
- D476,795 S * 7/2003 Reitknecht D2/861
- D527,869 S * 9/2006 Knigge D2/860
- D549,959 S * 9/2007 Wood D3/228
- 7,269,856 B1 * 9/2007 Cannan A41B 13/10
2/49.1
- D718,020 S * 11/2014 Bonner D2/861
- D726,395 S * 4/2015 Lewis D2/864
- D746,028 S * 12/2015 Meyer D2/861
- D757,399 S * 5/2016 Kalfas D2/864
- 9,333,925 B2 * 5/2016 Wright B60R 11/02
- 2004/0128729 A1 * 7/2004 Lat A41B 13/103
2/46
- 2004/0205876 A1 * 10/2004 Bruffett A41B 13/103
2/49.2
- 2006/0053523 A1 * 3/2006 McNamara A41D 13/04
2/48

(Continued)

Primary Examiner — Kevin K Rudzinski
(74) *Attorney, Agent, or Firm* — Weiss & Moy, P.C.;
Jeffrey D. Moy

(56) **References Cited**

U.S. PATENT DOCUMENTS

- 2,174,694 A * 10/1939 Elson A41B 13/103
2/49.2
- 2,571,888 A * 10/1951 Jesse A41B 13/10
2/49.1
- 3,146,465 A * 9/1964 Hummel A41B 13/10
2/49.3
- D206,425 S * 12/1966 Faughnder 2/49.2
- 3,407,407 A * 10/1968 Hollander A41B 13/103
2/49.2
- 3,999,221 A * 12/1976 Hannigan A41B 13/103
2/49.1
- 4,646,365 A * 3/1987 Suprise A41B 13/10
2/49.2
- 4,649,572 A * 3/1987 Roessler A41B 13/103
2/49.2
- D292,347 S * 10/1987 Scott-Smith D12/416

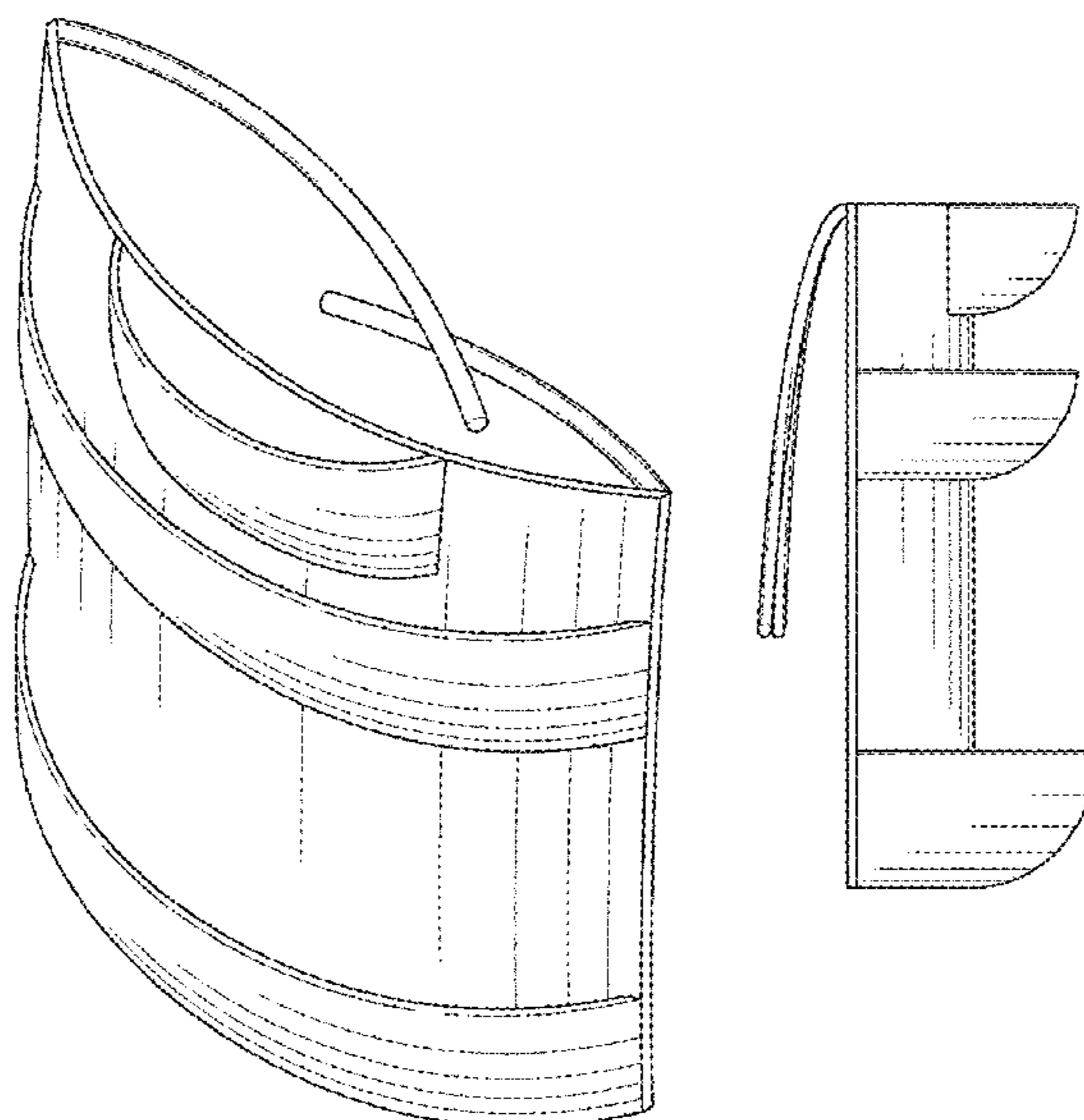
(57) **CLAIM**

The ornamental design for a baby bib, as shown and described.

DESCRIPTION

FIG. 1 is a perspective view of a baby bib;
FIG. 2 is a front view of the baby bib;
FIG. 3 is a rear view of the baby bib;
FIG. 4 is a first side view of the baby bib;
FIG. 5 is a second side of the baby bib;
FIG. 6 is a top view of the baby bib; and,
FIG. 7 is a bottom view of the baby bib.

1 Claim, 4 Drawing Sheets



(56)

References Cited

U.S. PATENT DOCUMENTS

2008/0208149 A1 * 8/2008 Vasquez A61F 5/449
604/322

* cited by examiner

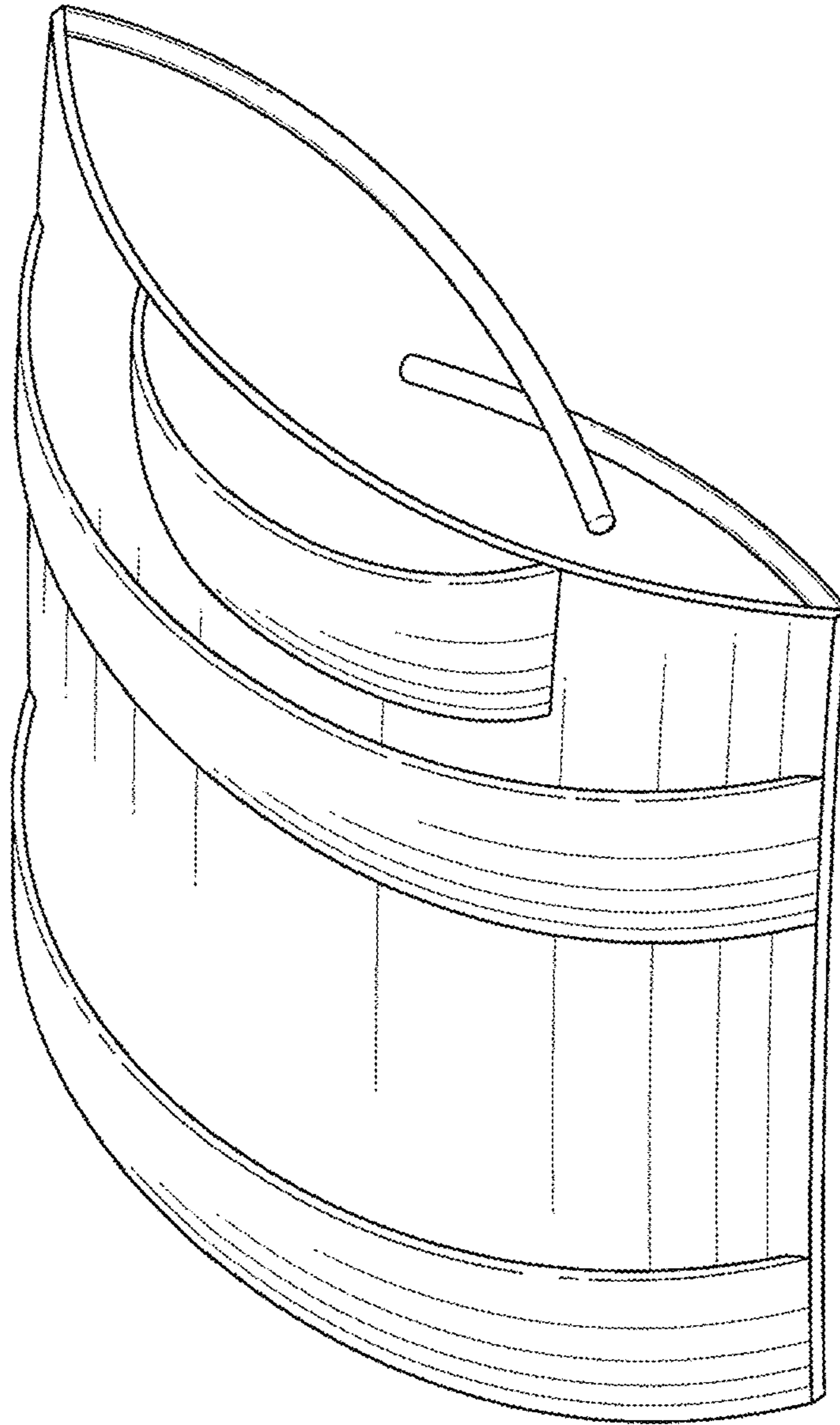


FIG. 1

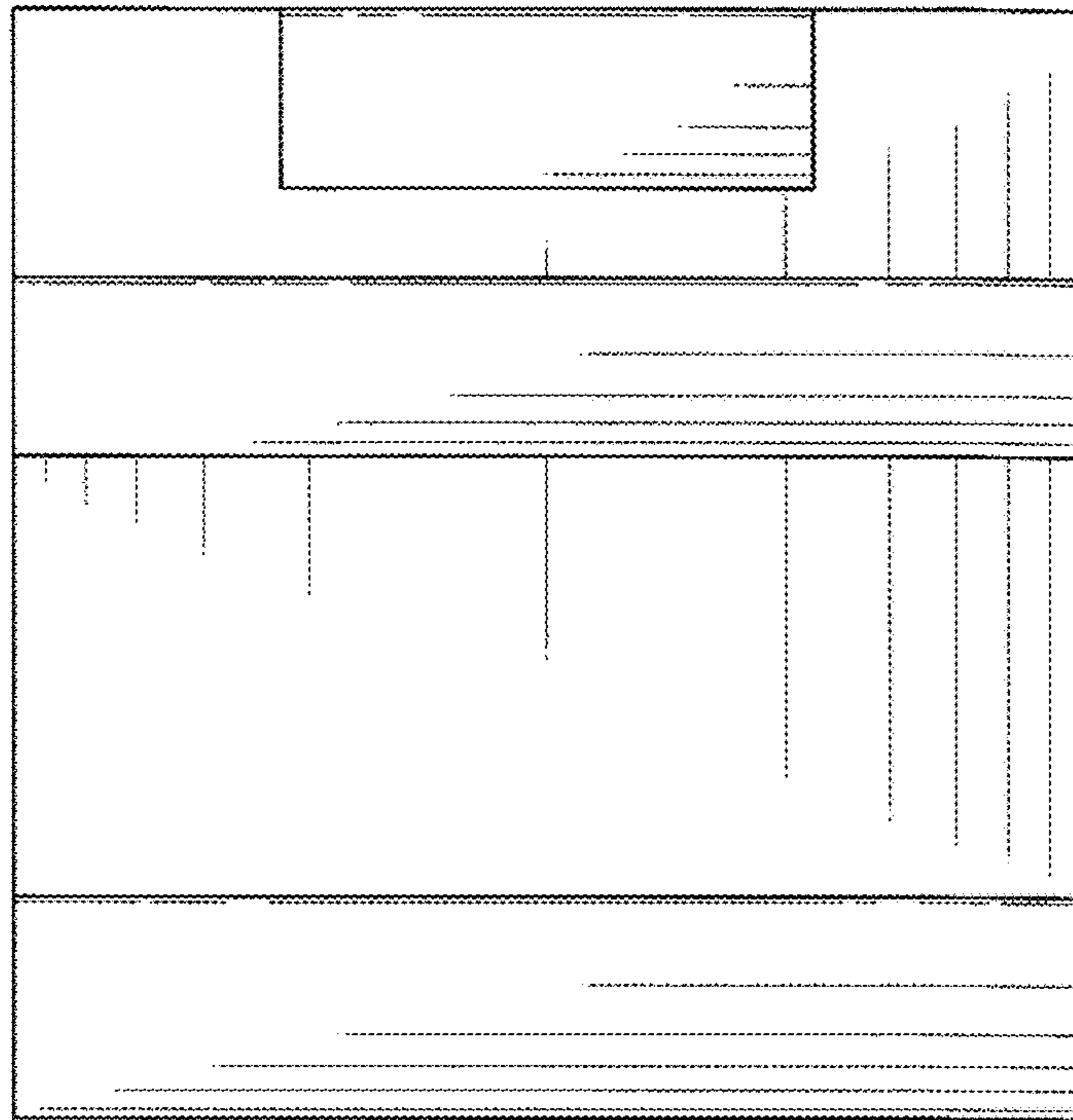


FIG. 2

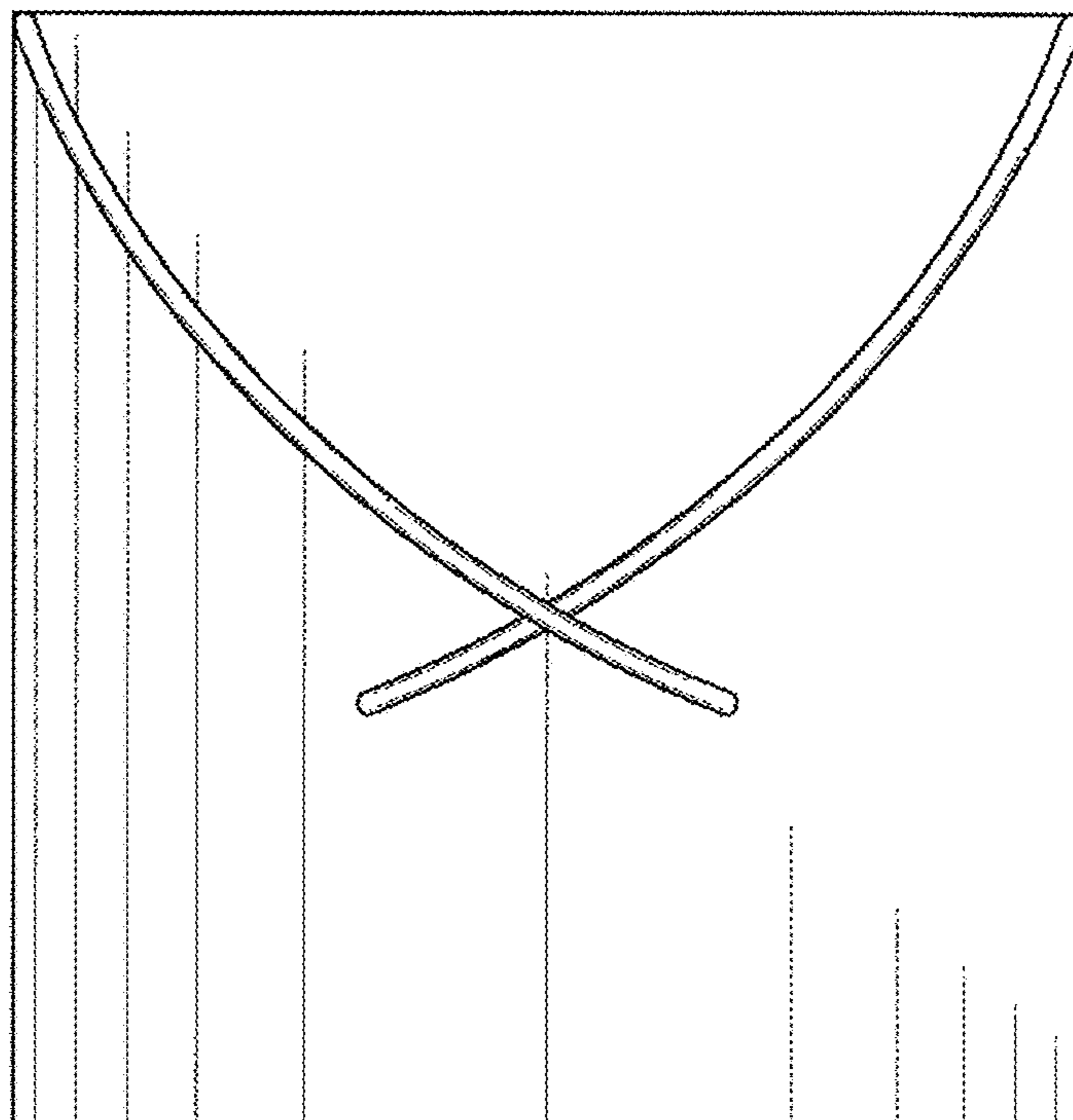


FIG. 3

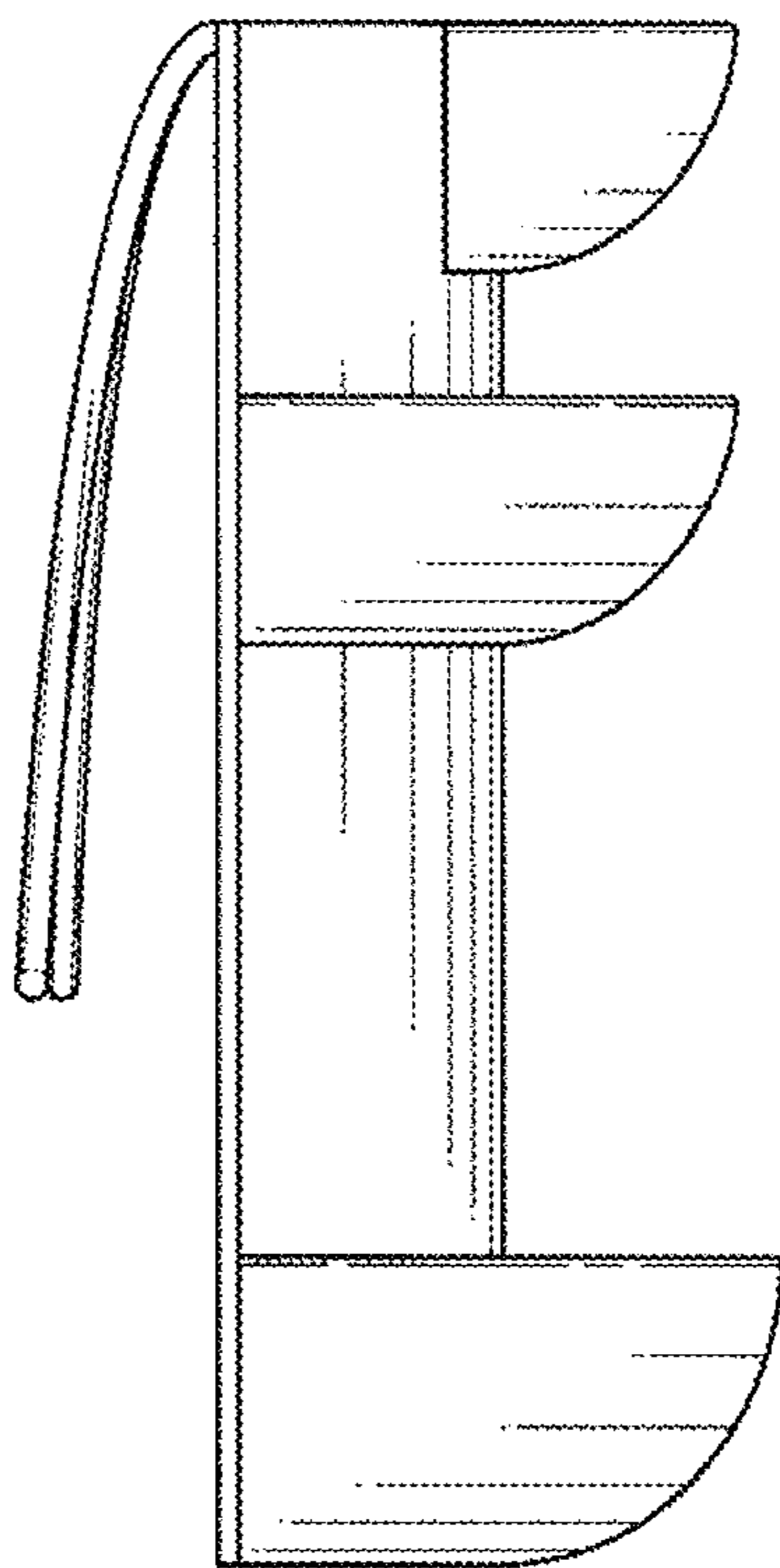


FIG. 4

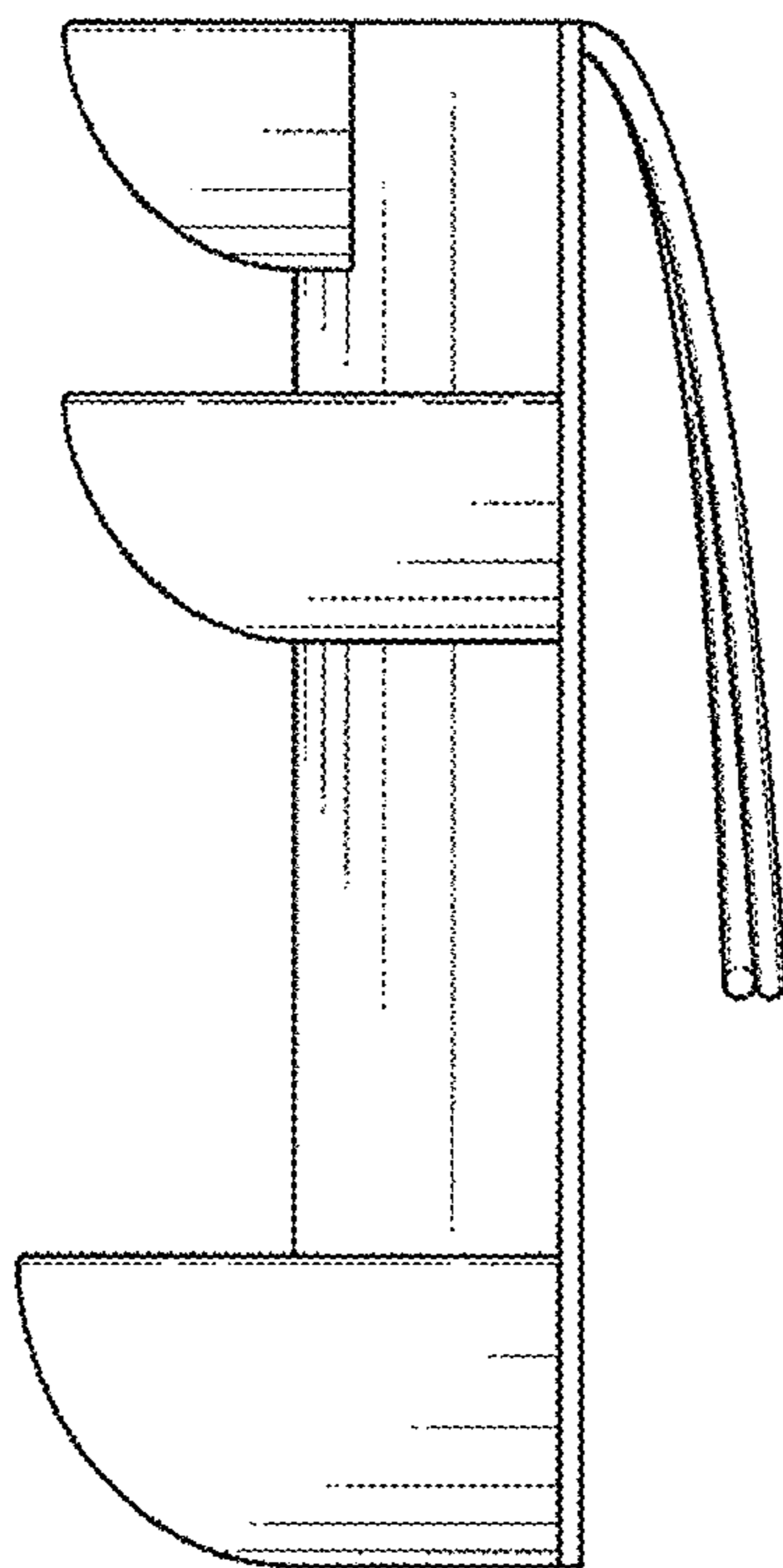


FIG. 5

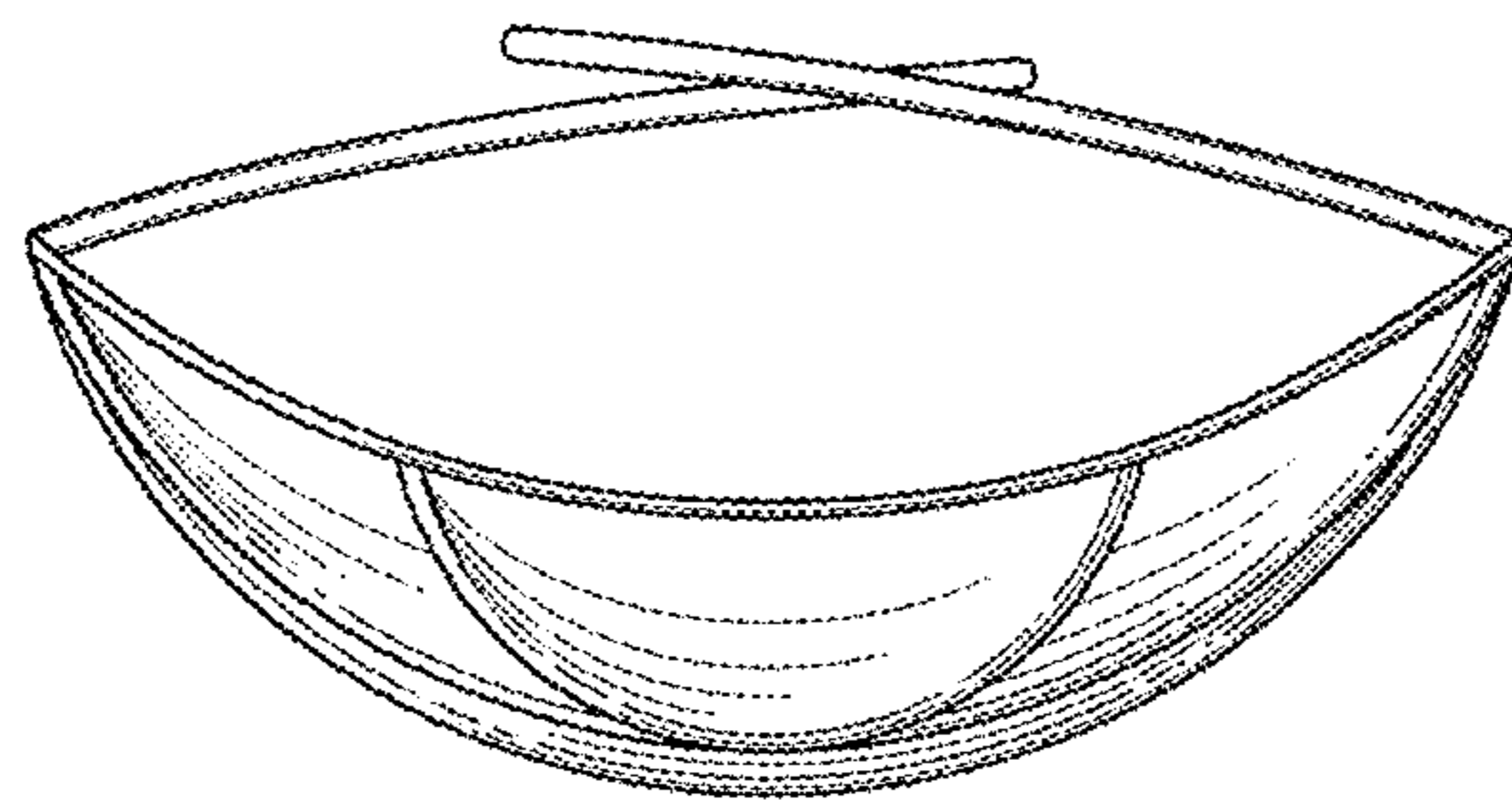


FIG. 6

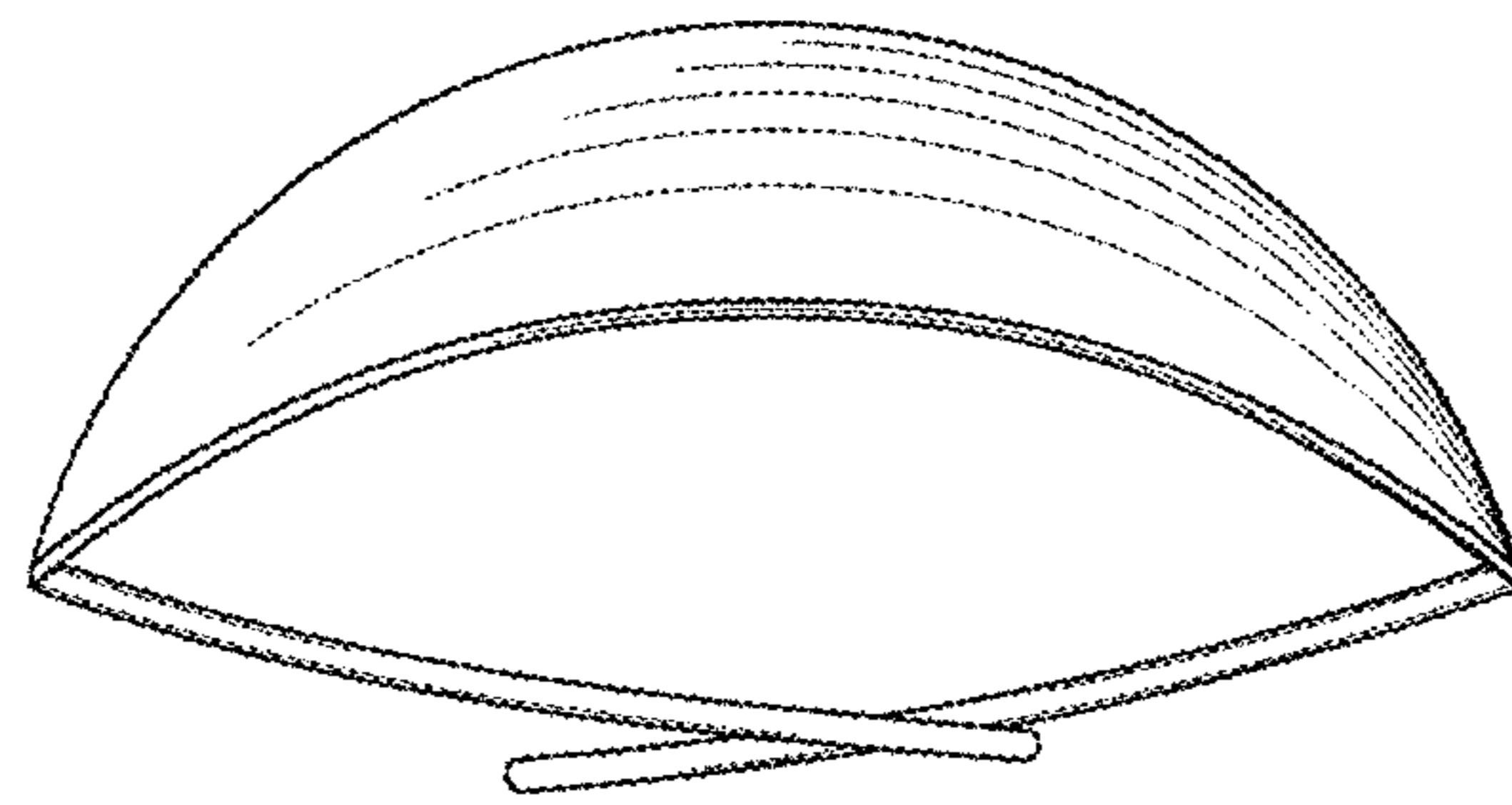


FIG. 7