



US00D802885S

(12) **United States Design Patent**
DeWeever

(10) **Patent No.:** **US D802,885 S**

(45) **Date of Patent:** **** Nov. 21, 2017**

(54) **GUN REST**

(71) Applicant: **Keith DeWeever**, Clavarack, NY (US)

(72) Inventor: **Keith DeWeever**, Clavarack, NY (US)

(**) Term: **15 Years**

(21) Appl. No.: **29/535,000**

(22) Filed: **Aug. 3, 2015**

(51) **LOC (10) Cl.** **02-02**

(52) **U.S. Cl.**
USPC **D2/829**

(58) **Field of Classification Search**
USPC D2/828-831, 833-834, 839-840; 2/69.5,
2/70, 84-87, 93-97, 102, 108, 202;
D3/222; D22/199
CPC .. A41D 13/00; A41D 13/001; A41D 13/0012;
A41D 13/08; A41D 27/10; A41D 27/04;
A41D 27/20; A41D 15/04; A41D 15/007;
A42B 1/048; A41F 5/00

See application file for complete search history.

(56) **References Cited**

U.S. PATENT DOCUMENTS

D293,618 S *	1/1988	Berenson	D2/829
5,247,707 A *	9/1993	Parker	A41D 13/0012 2/102
D357,342 S *	4/1995	Gelinas	D2/828
5,516,234 A *	5/1996	Duchesne	B63C 11/08 2/102
D402,788 S *	12/1998	Blankenship, Jr.	D2/829
D411,576 S *	6/1999	Hames	D2/828
5,913,409 A *	6/1999	Test	A41D 13/0012 2/102
6,131,199 A *	10/2000	Bugel	A41D 3/00 2/102
D465,638 S *	11/2002	Reeves	D2/829

6,758,635 B1 *	7/2004	Feng	B63C 11/30 405/186
6,925,654 B2 *	8/2005	De Silva	A41D 13/01 2/108
D510,793 S *	10/2005	Peterson	D2/829
D526,468 S *	8/2006	Dingman	D2/829
D538,509 S *	3/2007	Silverman	D2/829
D641,960 S *	7/2011	Goff	D2/829
D729,499 S *	5/2015	Christenson	D2/829
D737,025 S *	8/2015	Robert	D2/829
D737,568 S *	9/2015	Robert	D3/217
D763,567 S *	8/2016	Robert	D3/217
D766,548 S *	9/2016	Stout	D2/829

* cited by examiner

Primary Examiner — Eric L Goodman

Assistant Examiner — Amy C Wierenga

(74) *Attorney, Agent, or Firm* — Saile Ackerman LLC;
Stephen B. Ackerman

(57) **CLAIM**

The ornamental design for a gun rest, as shown and described.

DESCRIPTION

FIG. 1 is a perspective view of a gun rest showing our new design;

FIG. 2 is a front elevational view thereof;

FIG. 3 is a rear elevational view thereof;

FIG. 4 is a right side elevational view thereof;

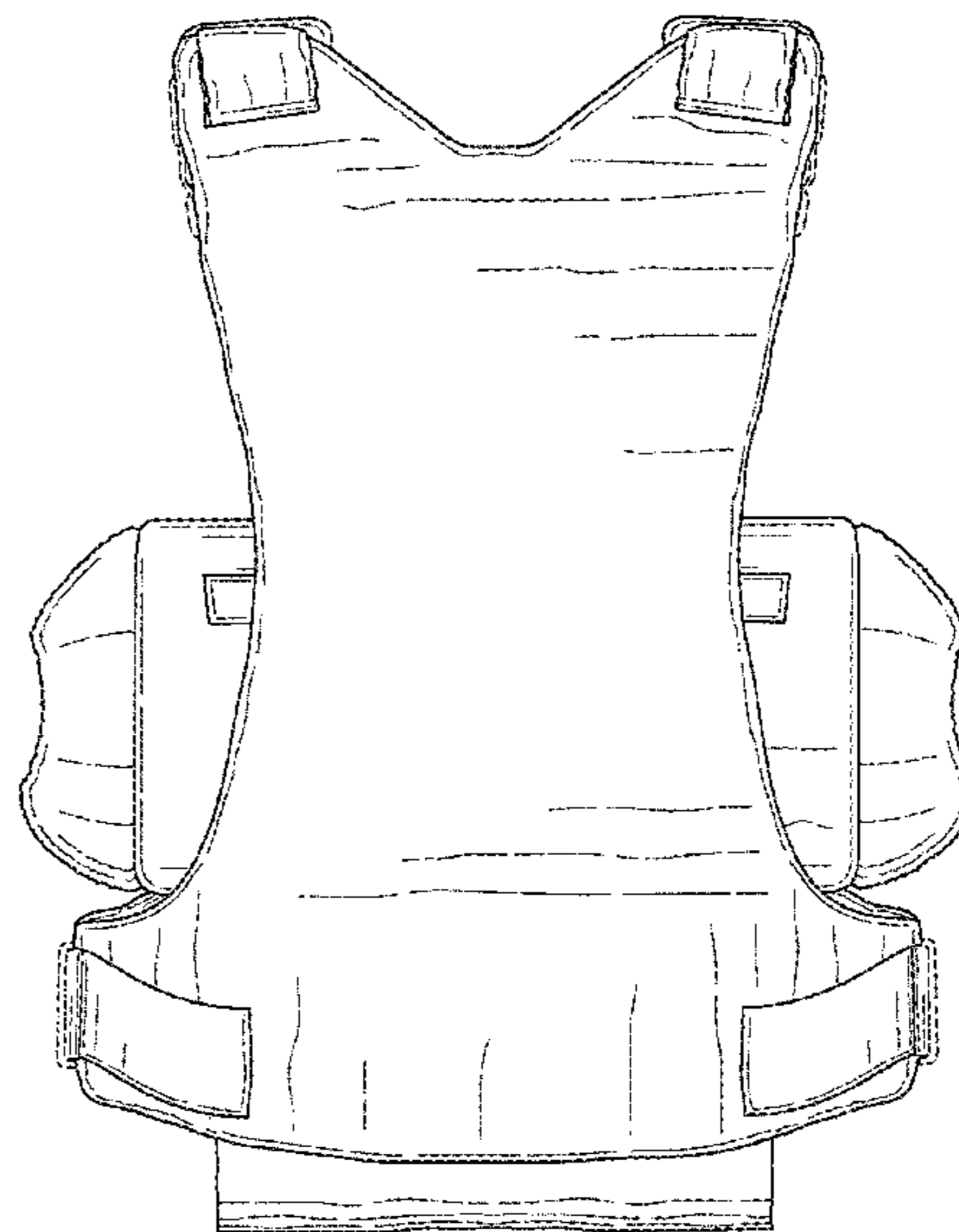
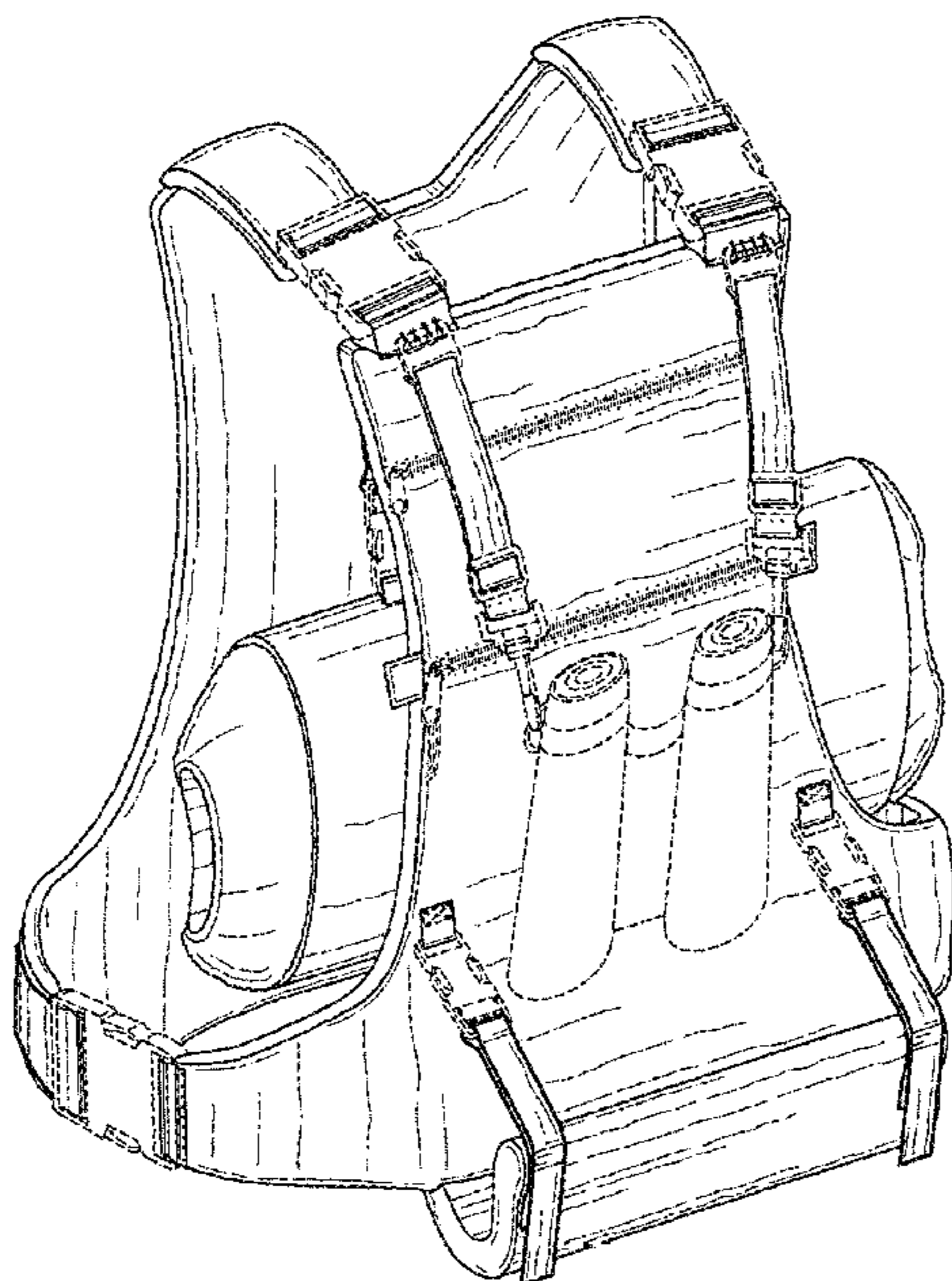
FIG. 5 is a top plan view thereof; and,

FIG. 6 is a bottom plan view thereof.

The spaced dotted lines in the drawings depict stitching that forms no part of the claim.

The evenly spaced broken lines shown in the drawings represent portions of the gun rest and environmental subject matter that form no part of the claim.

1 Claim, 5 Drawing Sheets



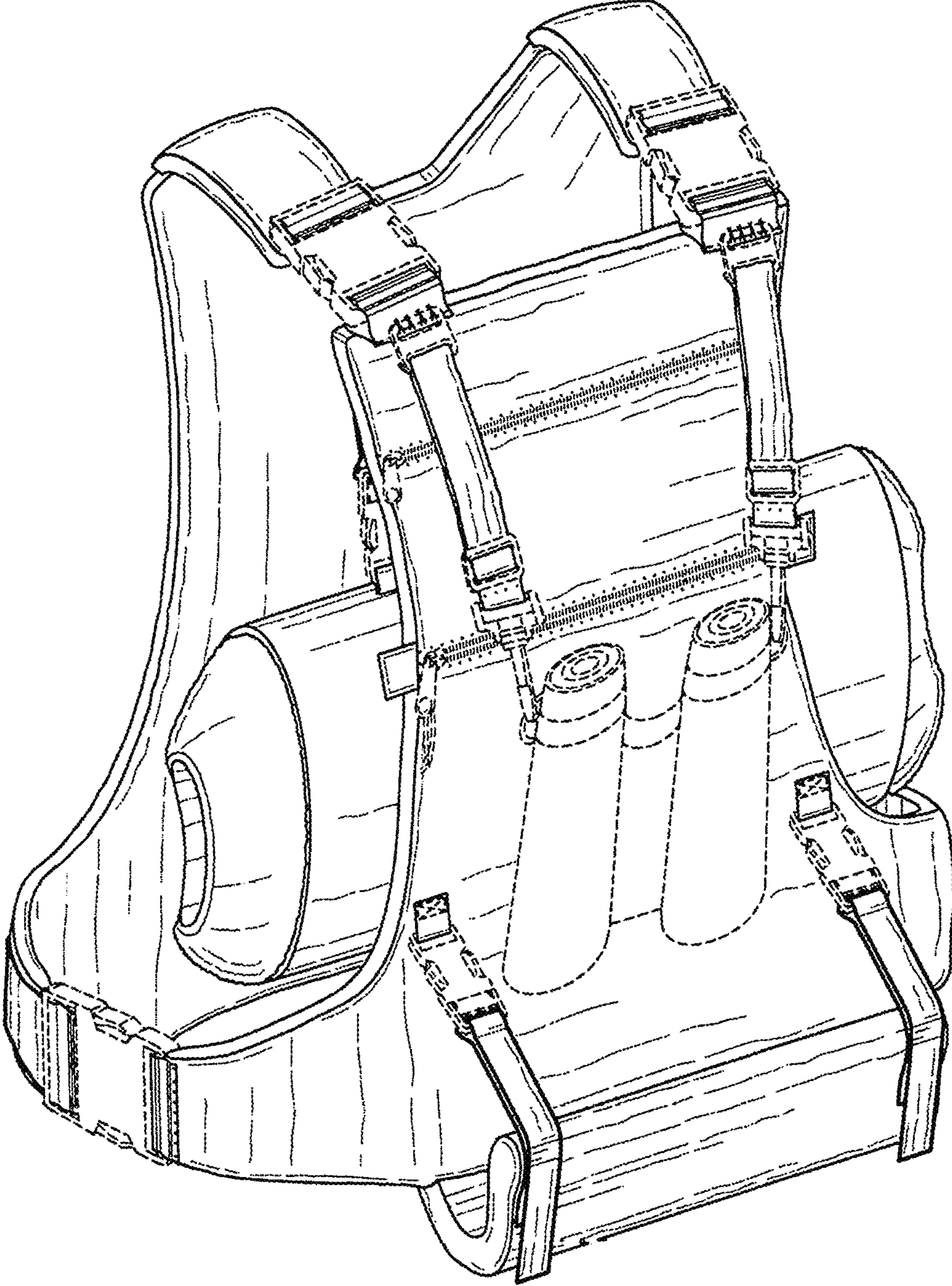


FIG. 1

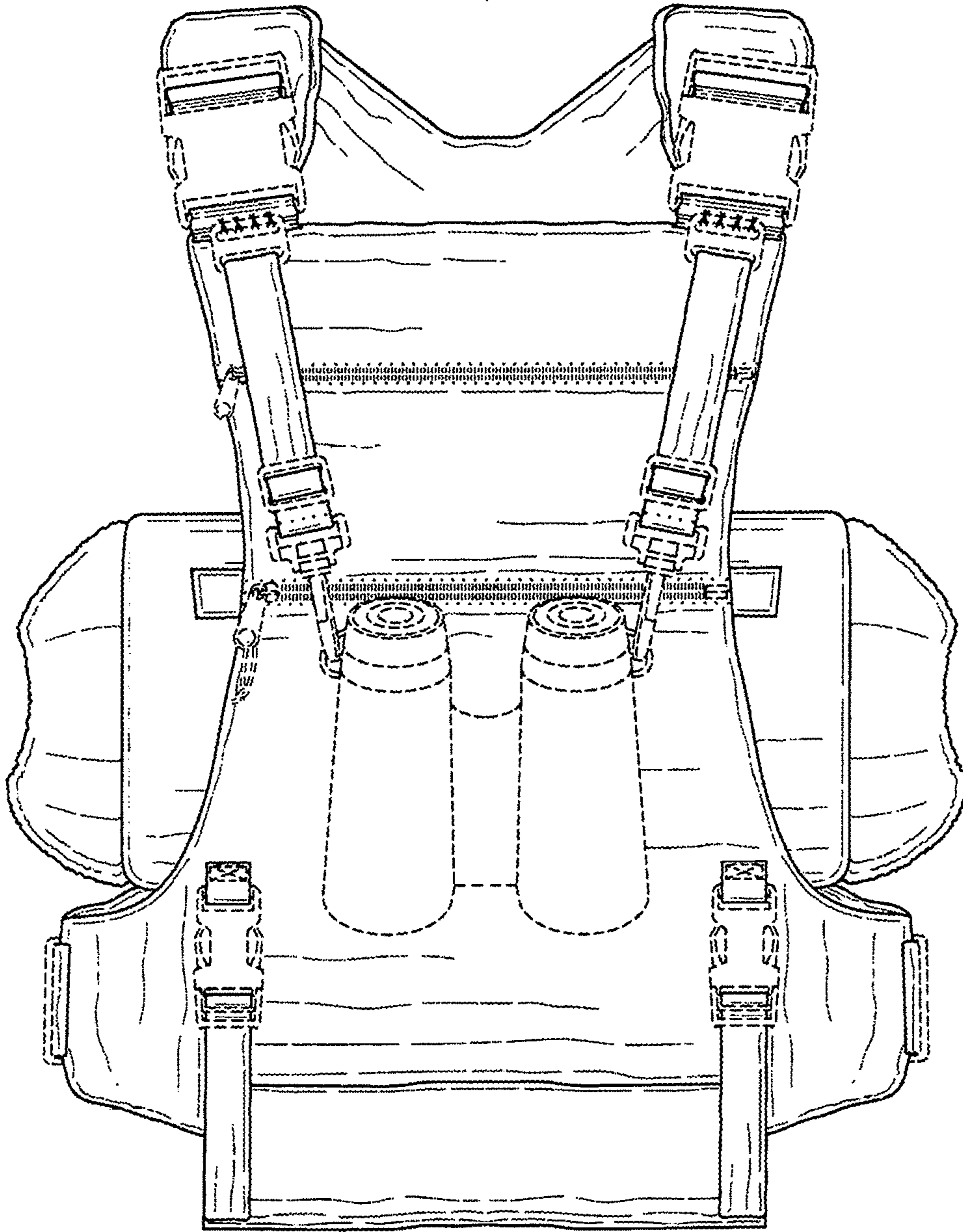


FIG. 2

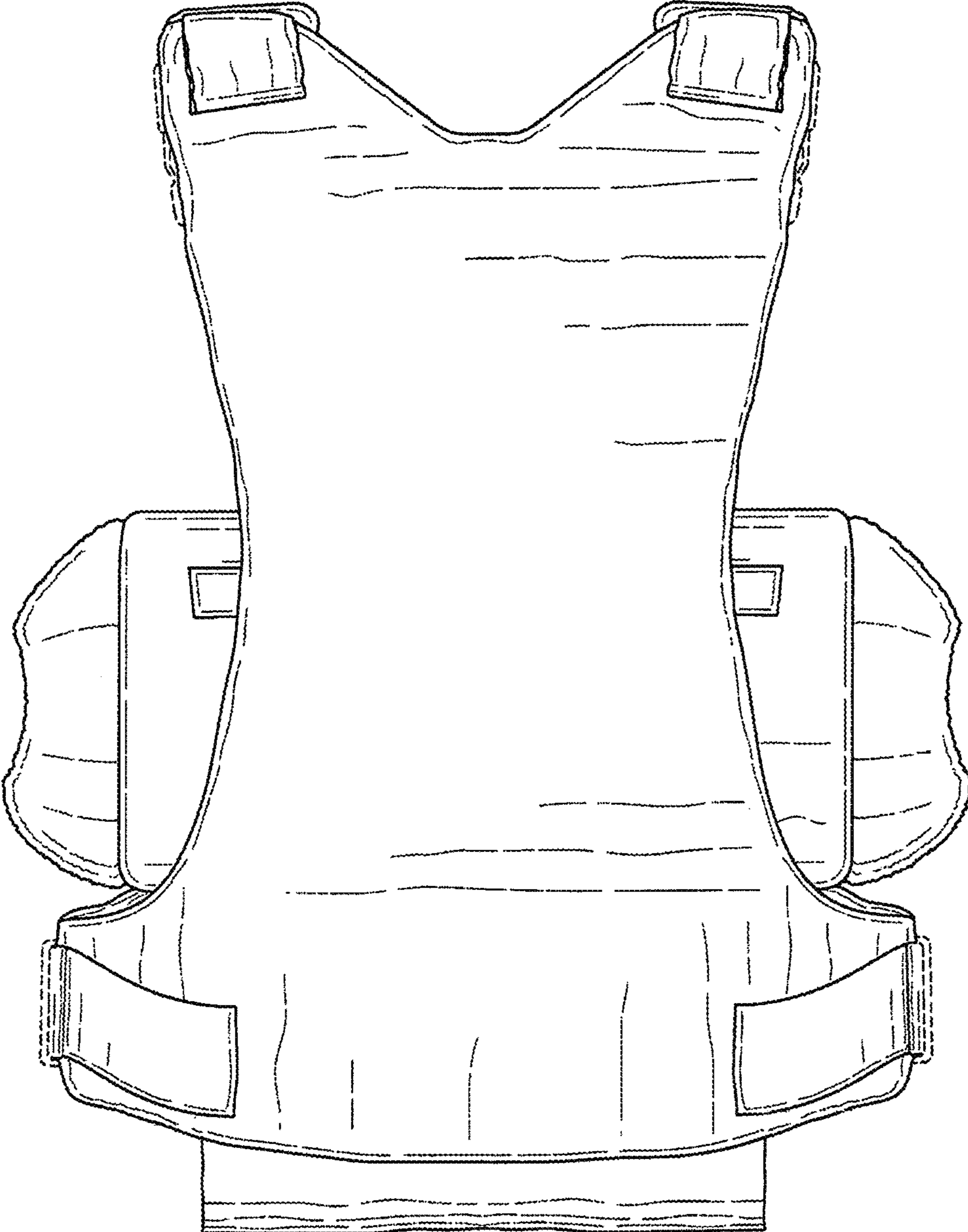


FIG. 3

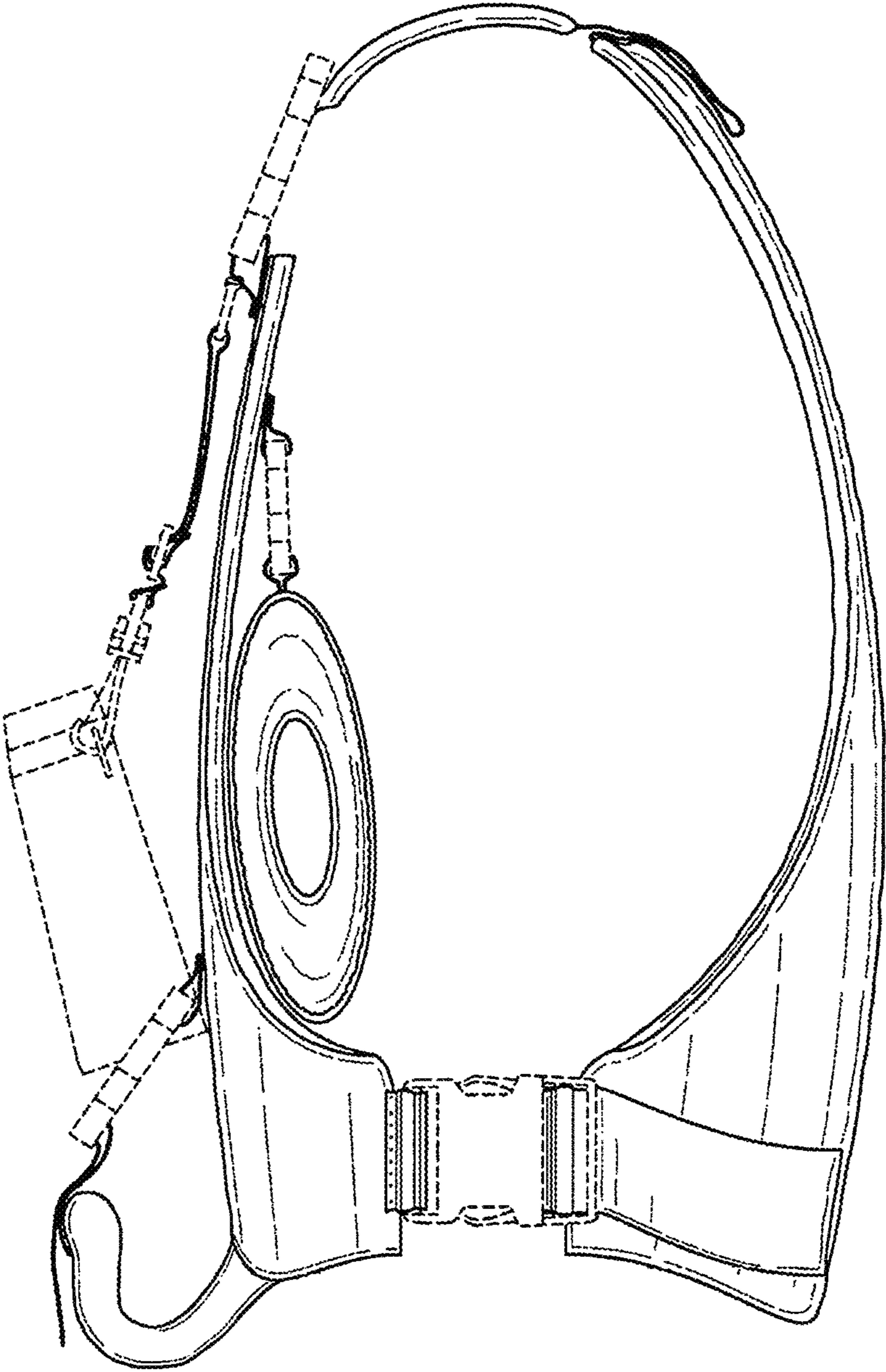


FIG. 4

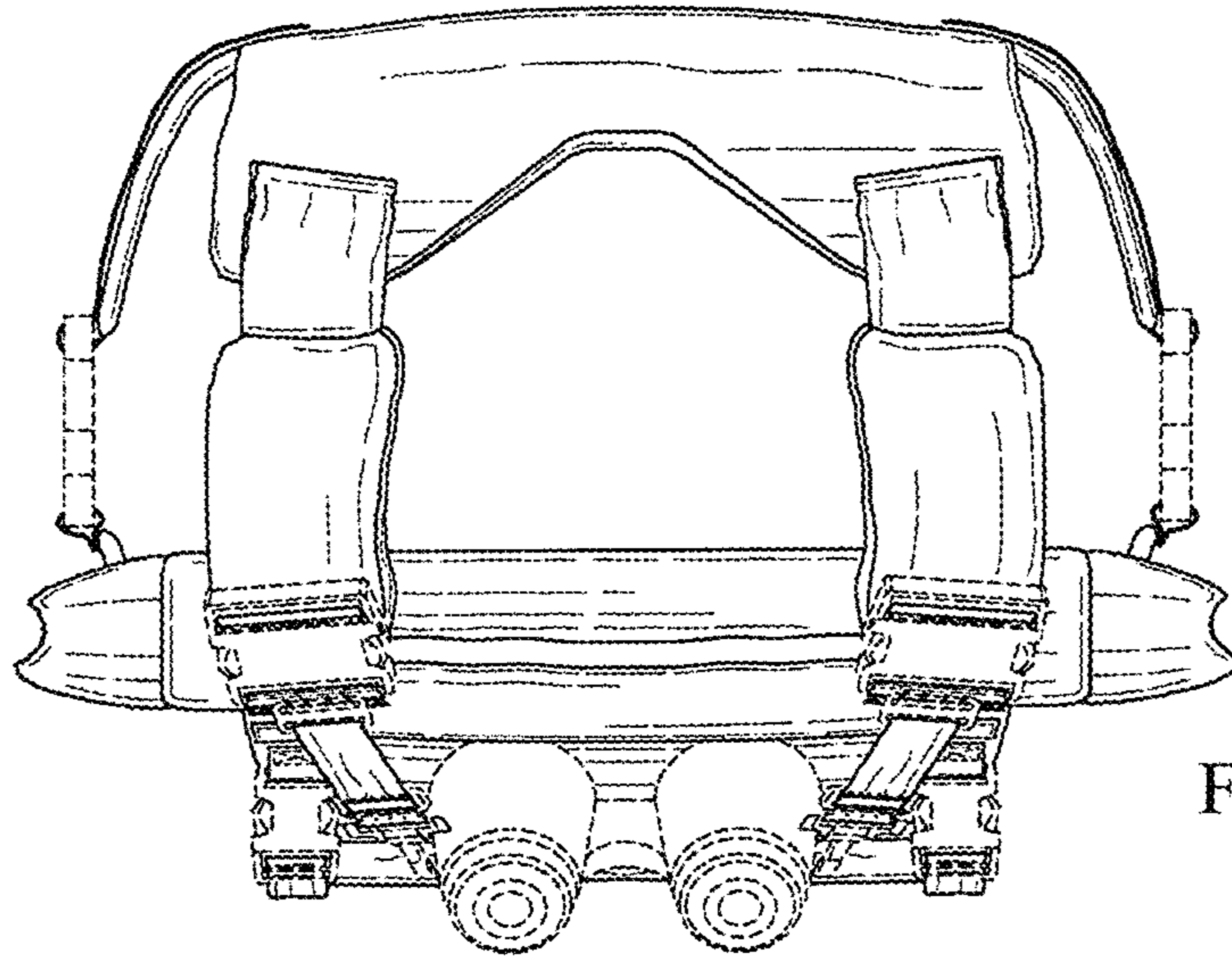


FIG. 5

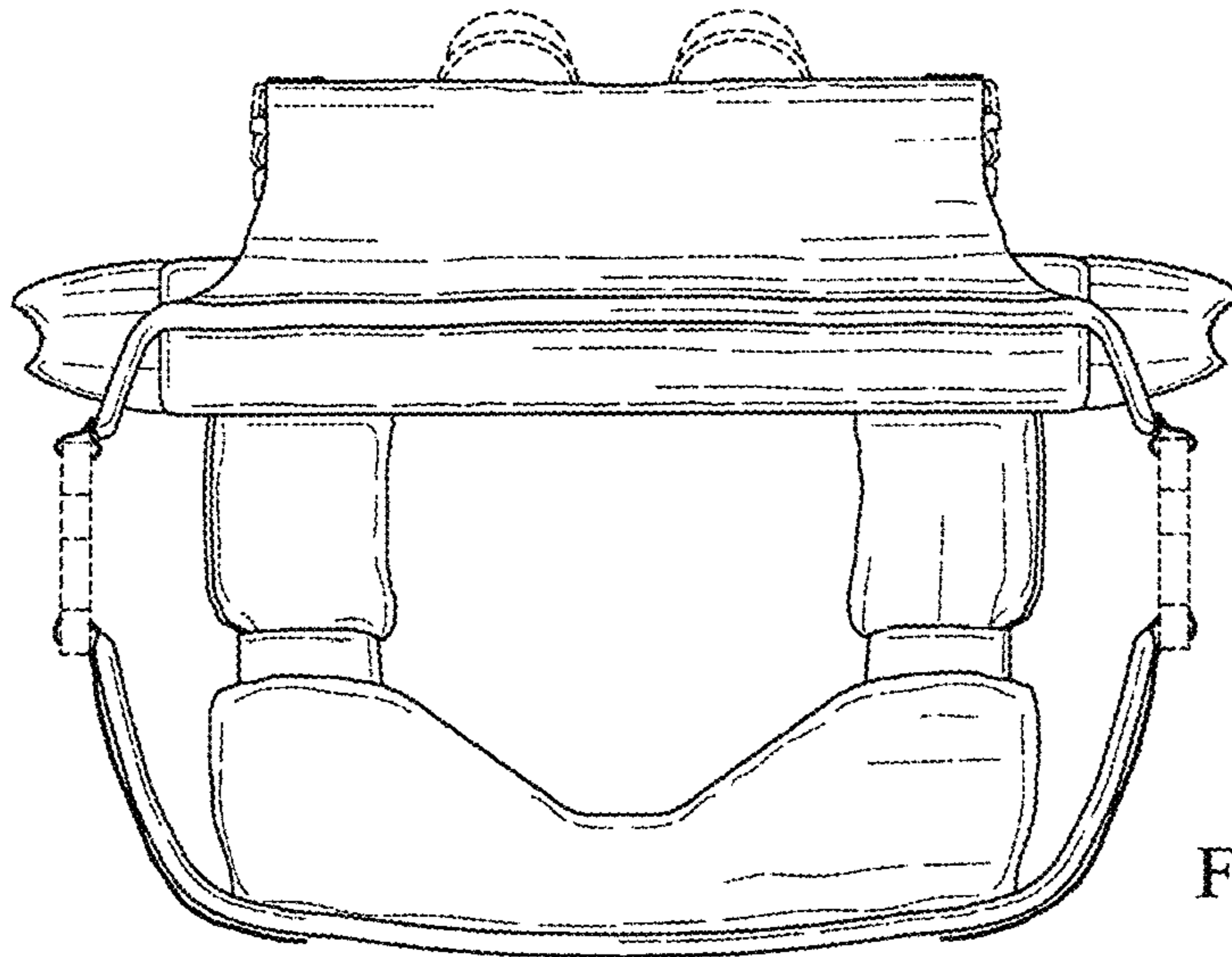


FIG. 6